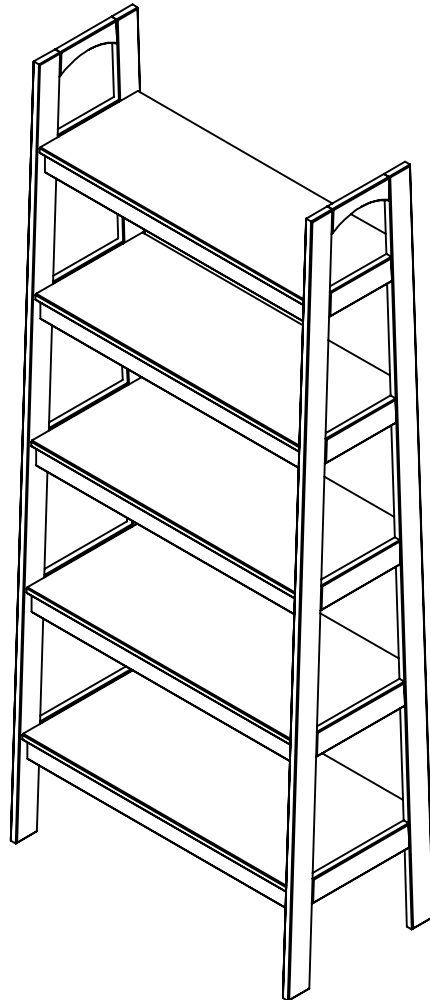
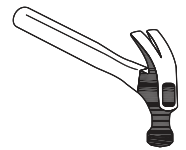
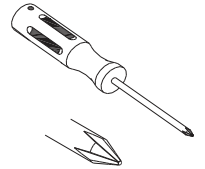
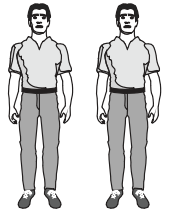


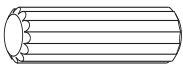
# ASSEMBLY INSTRUCTIONS



01:00 Hs



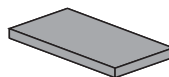
## HARDWARE INCLUDED



A - 8,0x25 Wood Dowel  
Qty. 50



B - 4,0 x 30 Screw  
Qty. 70



C - Sticker ribbon  
Qty. 4

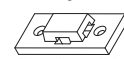
### Anti-Tip Kit



4,0x30 Screw  
Qty. 02



3,5x14 Screw  
Qty. 02



Plastic wall bracket  
Qty. 02

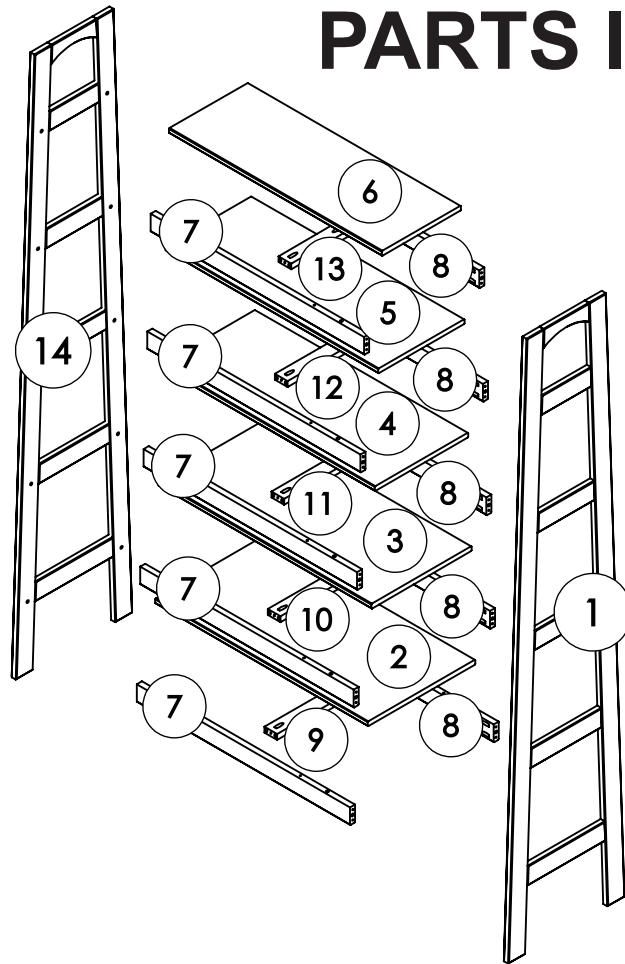


Nylon strap 300x4,8mm  
Qty. 01

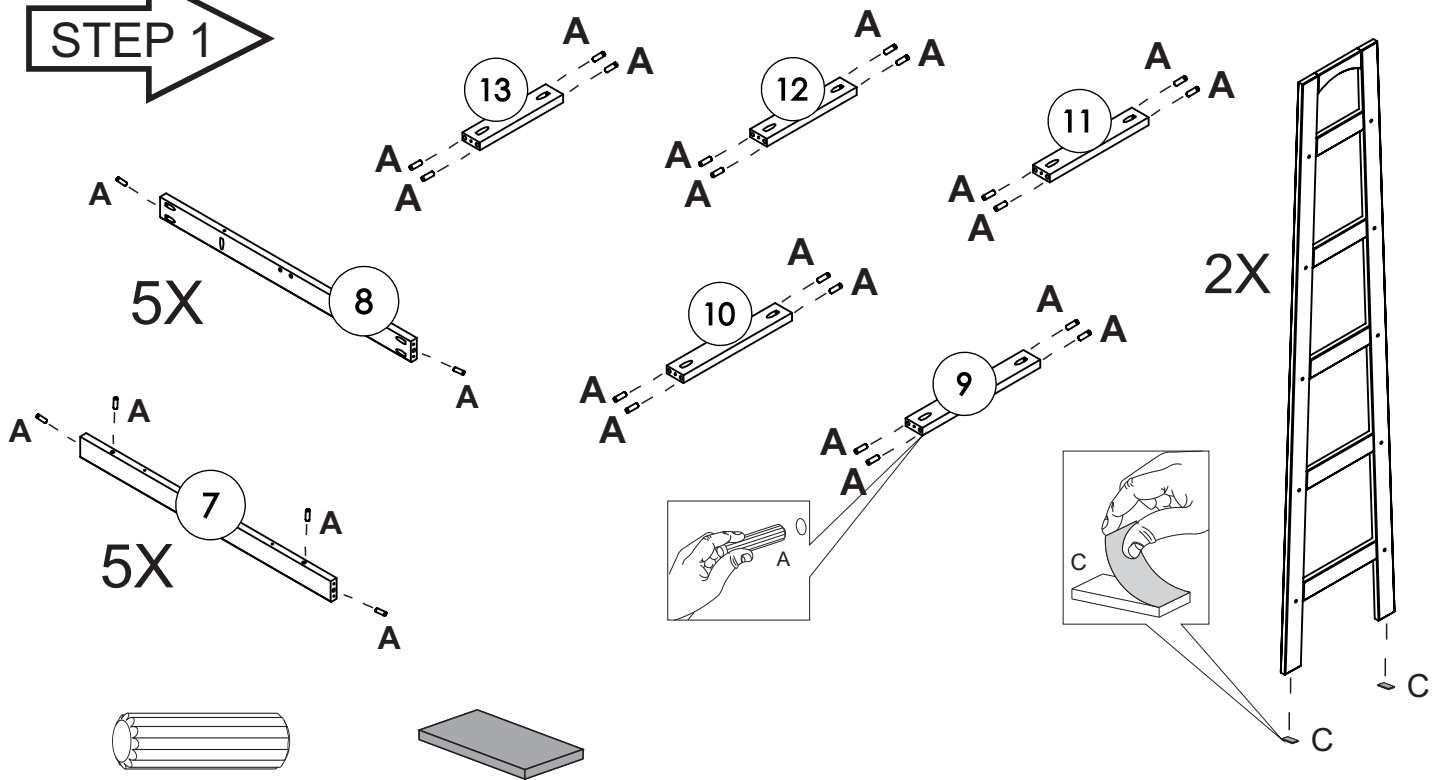


Plastic screw anchor 6mm  
Qty. 02

# PARTS INCLUDED



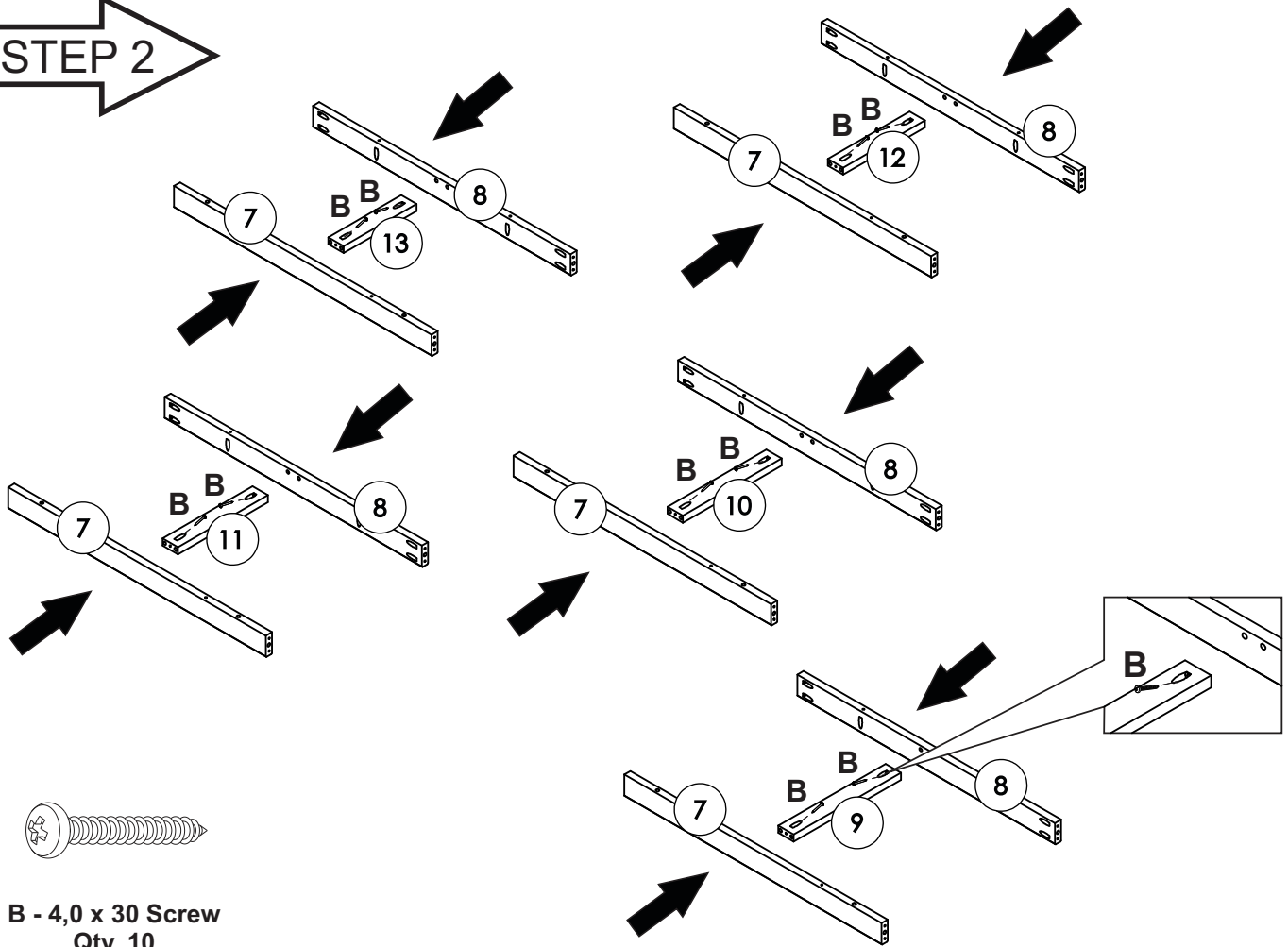
## STEP 1



A - 8,0x25 Wood Dowel  
Qty. 50

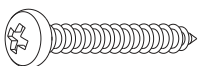
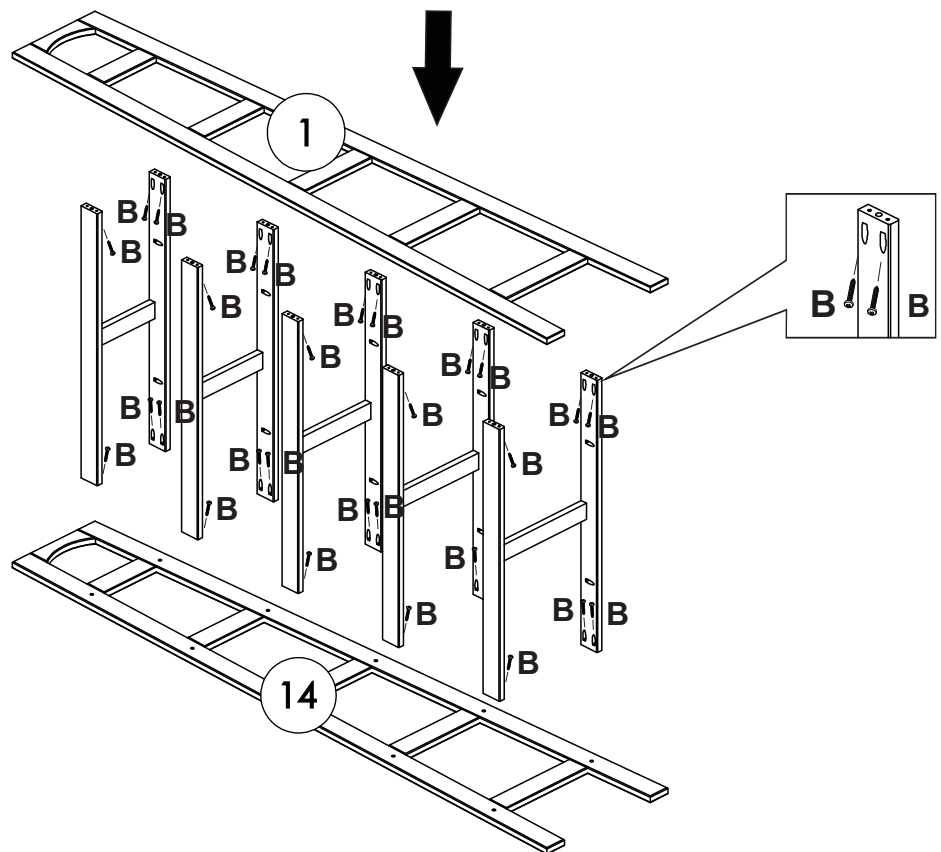
C - Sticker ribbon  
Qty. 4

STEP 2



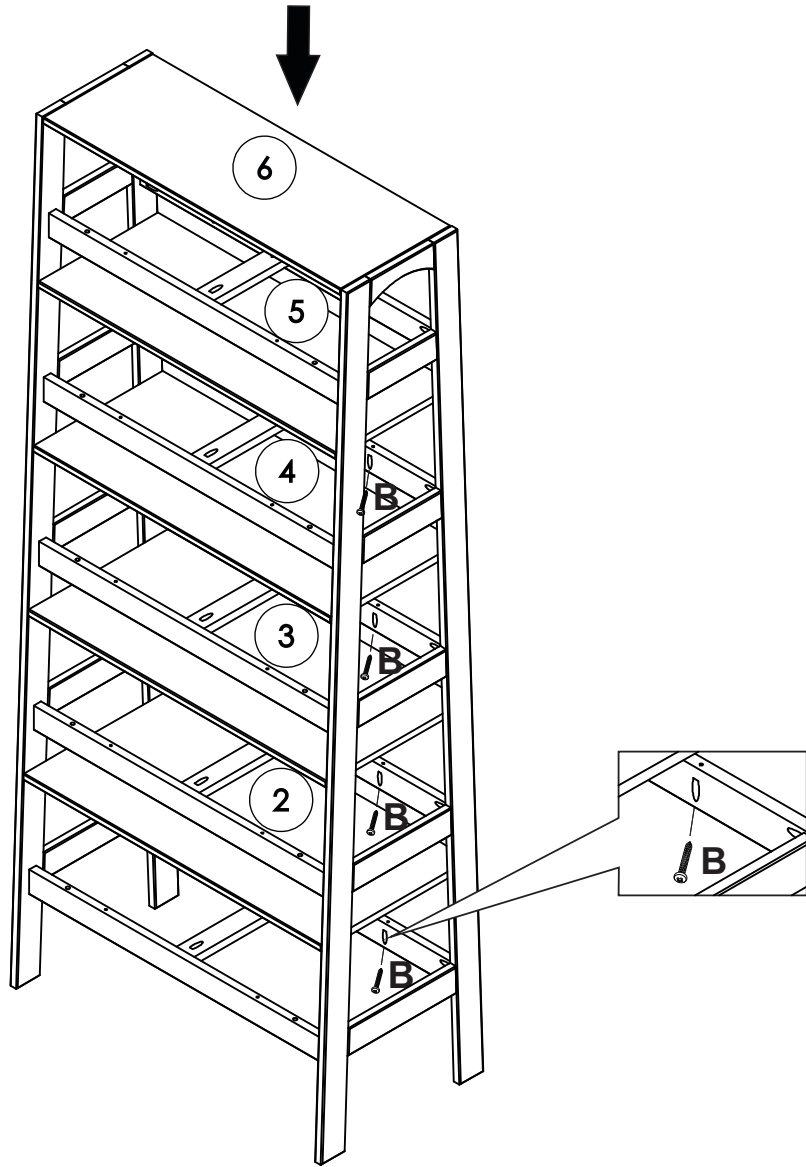
B - 4,0 x 30 Screw  
Qty. 10

STEP 3

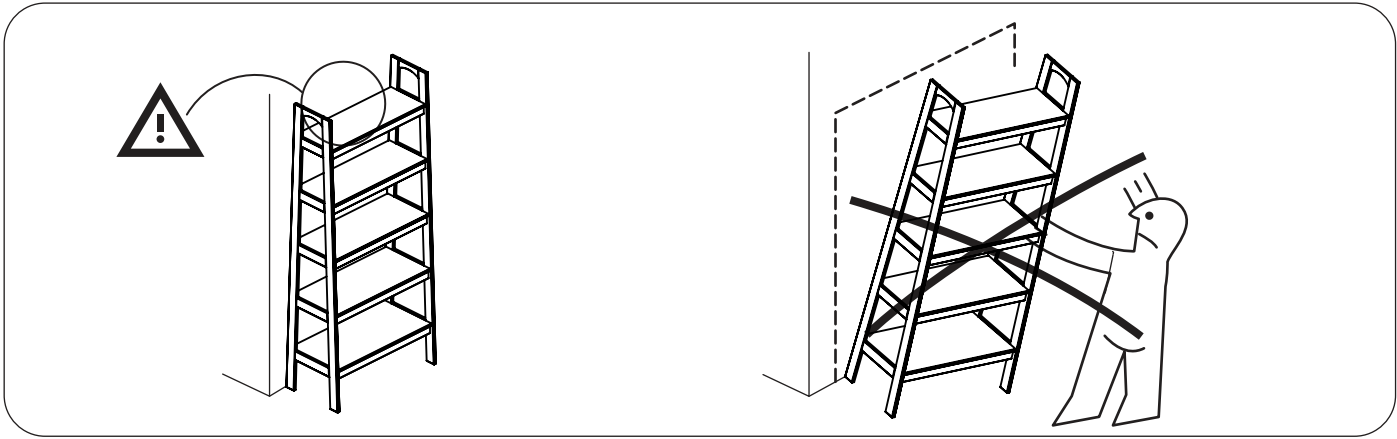


B - 4,0 x 30 Screw  
Qty. 40

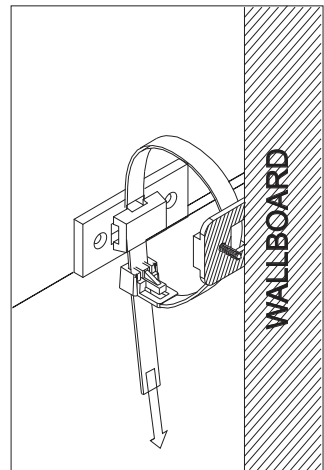
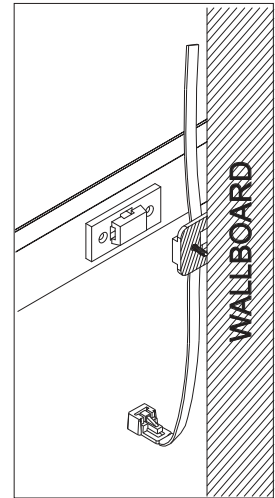
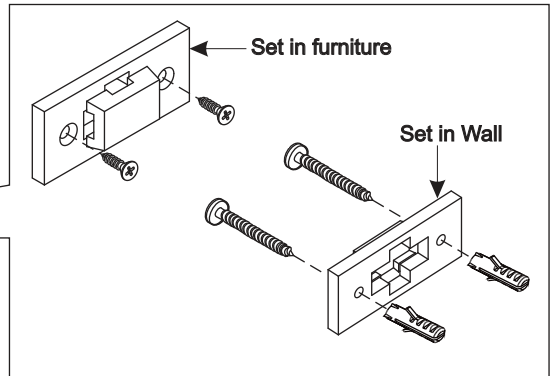
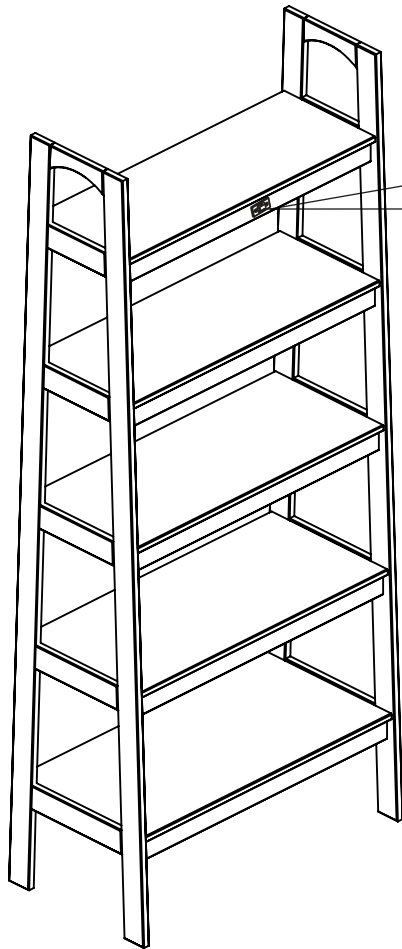
STEP 4

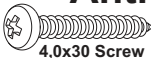
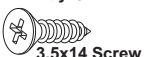
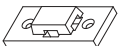




**B - 4,0 x 30 Screw**  
**Qty. 20**



# Anti-Tip Kit



- Anti-Tip Kit**
-  4,0x30 Screw  
Qty. 02
  -  3,5x14 Screw  
Qty. 02
  -  Plastic wall bracket  
Qty. 02
  -  Nylon strap 300x4,8mm  
Qty. 01
  -  Plastic screw anchor 6mm  
Qty. 02