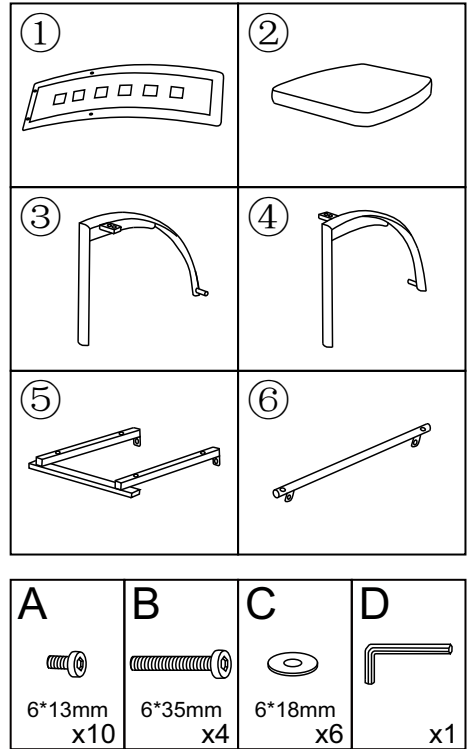
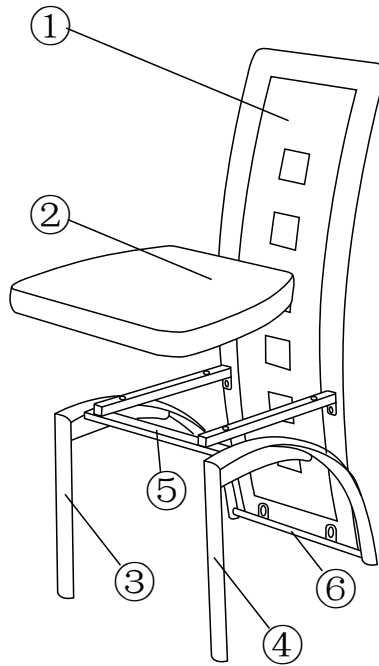
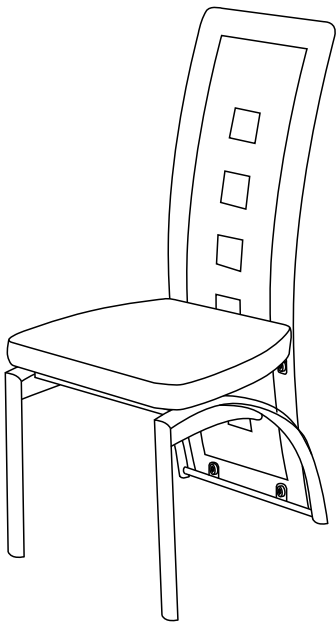


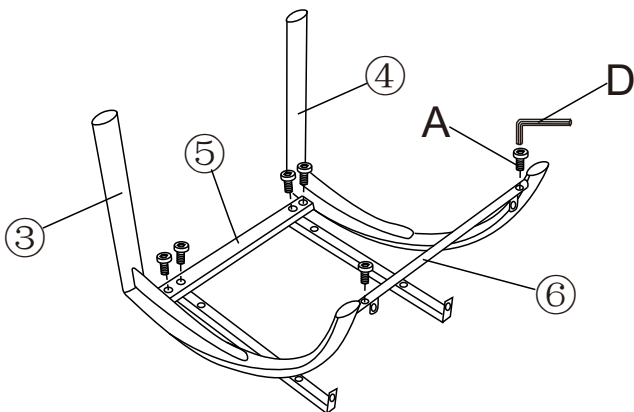
# ASSEMBLY INSTRUCTIONS

ABK-00000

**C-018**



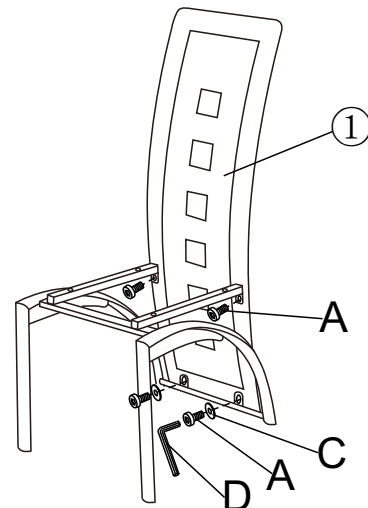
**STEP 1**



Tighten the screws to 50%.

Ax6  
Dx1

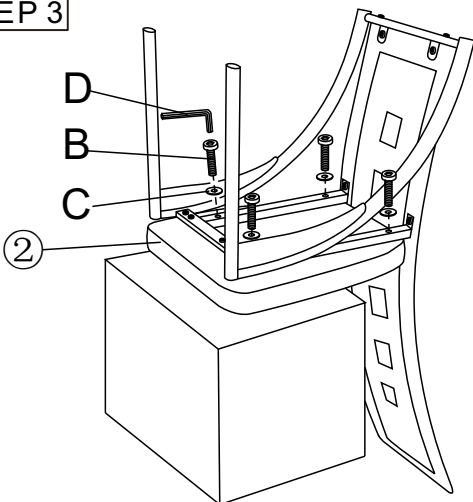
**STEP 2**



Tighten the screws to 50%.

Ax4  
Cx2  
Dx1

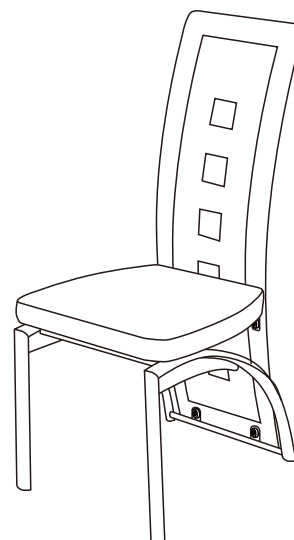
**STEP 3**



Tighten all of the screws to 100%.

Bx4  
Cx4  
Dx1

**STEP 4**



## 【Kindly Remember】

If the products you receive in this package are not all of the items you purchased, please be patient. The rest of the products will be delivered by other packages.

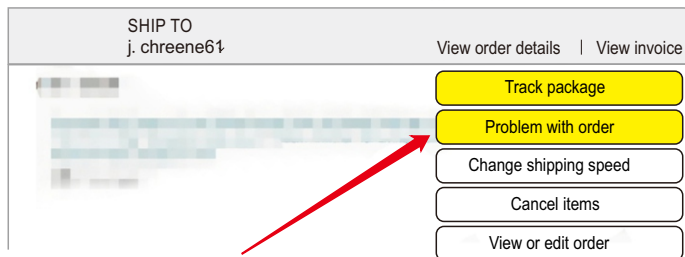
If you would like to know where the rest of the package has arrived, please contact us through Amazon. We will get back to you within 12 hours.



### You can contact us in the following ways:

1. Find your order in the list and Select **【Problem with order】**.

2. Choose your topic from list displayed and Select **【Contact seller】**.



**ⓘ You are not eligible to request a refund**  
Sorry, this order is not eligible for a refund under the A-to-z Guarantee because the m updates on your package shipment.

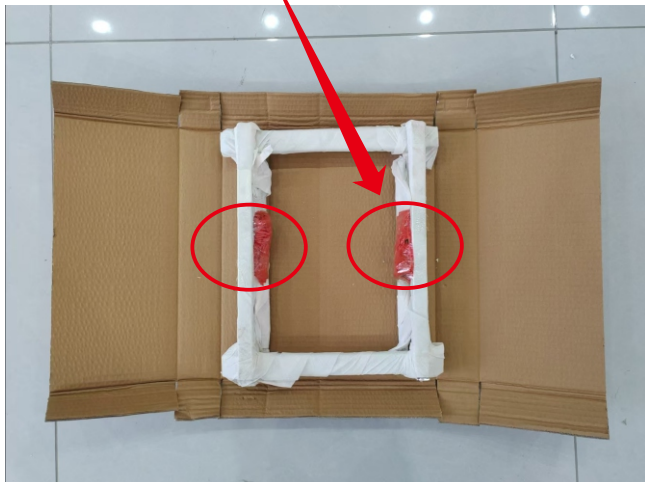
What would you like to do?

- Request return
- Contact seller

3. We will get back to you immediately as soon as we receive your message.



### Location of Hardware Package



2 PCS/CTN

### Location of Hardware Package



4 PCS/CTN