

ASSEMBLY INSTRUCTION

High Bookshelf.

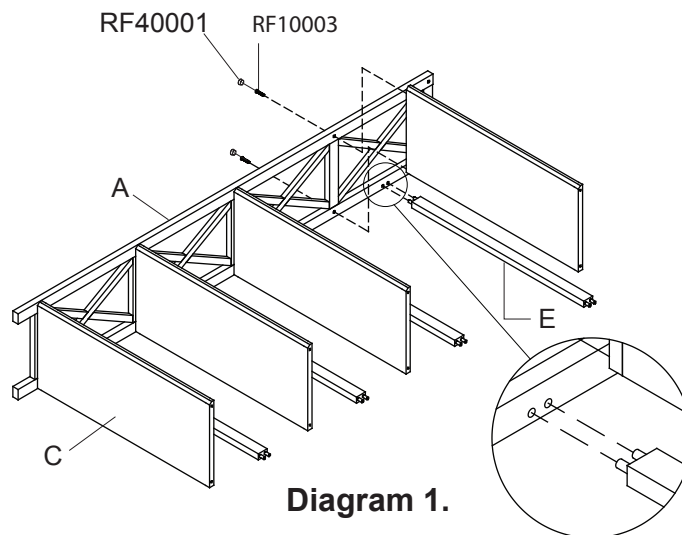
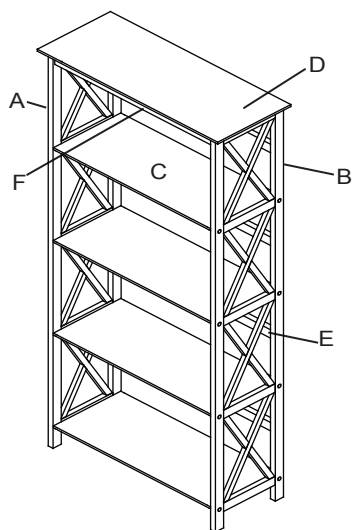


Diagram 1.

Step 1. Lay the left panel (Part A) on a soft surface . Then attach shelves (Part C) by using screws JCA 1/4" x 32(RF10003) and attach back crossbars (Part E) into left panel (Part A). Make sure the tapered edge faces upward. BE CAREFUL,DO NOT OVER TIGHTEN THE SCREWS. You may cover up screw holes with the enclosed wood plugs (RF40001) as per Diag.1.

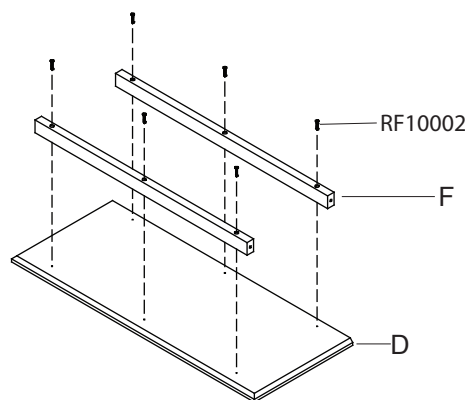


Diagram 3.

Step 3. Attach mantel top crossbars (Part F) into the mantel top (Part D) by using small screws (RF10002) as per Diag.3. The side with larger hole should face away from the top.

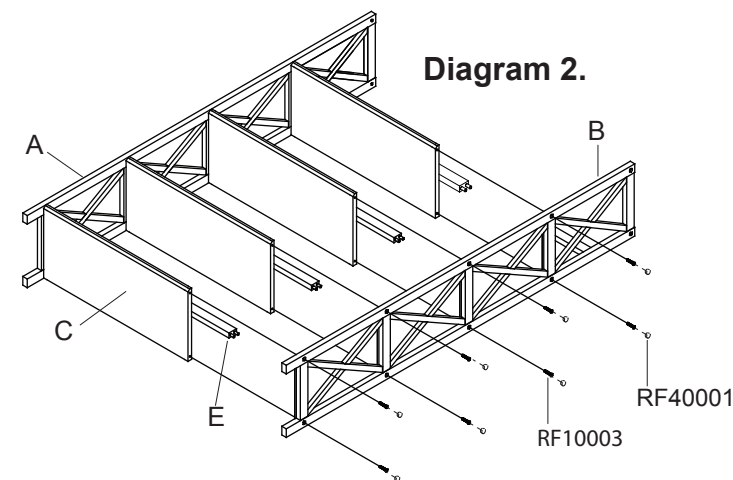


Diagram 2.

Step 2. Attach right panel (Part B) into them by using screws JCA 1/4" x 32 (RF10003). You may cover up screw holes with the enclosed wood plugs (RF40001) as per Diag.2.

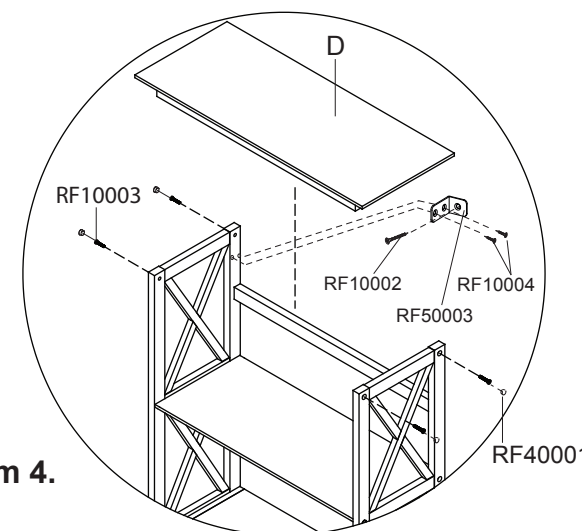


Diagram 4.

Step 4. Lift the mantel top and set it on top of the bookcase. Fasten with screws JCA 1/4" x 32(RF10003). You may cover up screw holes with the enclosed wood plugs (RF40001).as per Diag.4.

Step 5 . Used 1-2 L-brackets (RF50003) and short screws (RF10004) to attach two side panels under the mantel top to the studs in the wall, using screws small (RF10002) per Diag. 4.

LIST OF WOODEN PARTS

NO	DESCRIPTION	Q'TY
A	LEFT PANEL	1
B	RIGHT PANEL	1
C	SHELVES	4
D	MANTEL TOP	1
E	BACK CROSSBARS	4
F	MANTEL TOP CROSSBARS	2

LIST OF HARDWARE

RF10003	SCREW JCA 1/4" x 32	20
RF10002	SMALL SCREWS	8
RF40001	WOOD PLUGS	20
RF40103	ALLEN KEY	1
RF10004	SHORT SCREWS	4
RF50003	L-BRACKET	2



RF10003



RF10002



RF40001



RF10004



RF50003



RF40103