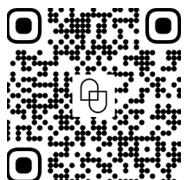
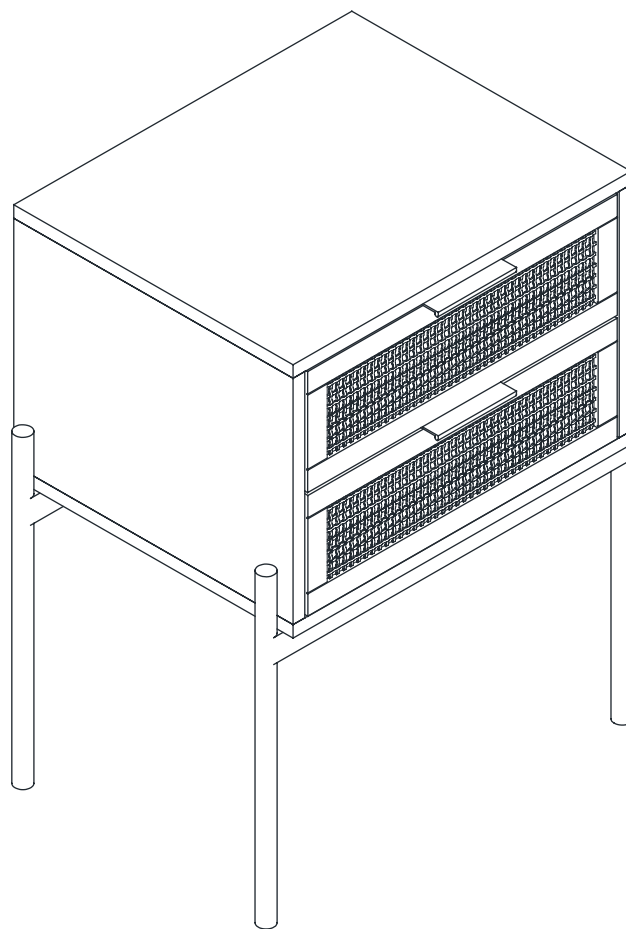


Let's build the

Andrew Side Table

SKU 33401



Scan me!

Inspiration
Digital Instructions
Free Lifetime Warranty

nathan james

22-0328

Ok, let's get rolling

This should be easy, just follow our instructions and you will be back to Netflix in no time.

Estimated time for assembly



75:00

What you need

- Some of your favourite bubbly or your preferred relaxant
- Use the packaging carton as a working surface to prevent product damage during assembly

Do not use a drill



Weight Limitation



90

lbs for top

11

lbs per shelf

Toll-free at 1-866-619-1004

Help@nathanjames.com

Nathanjames.com/help

What's included

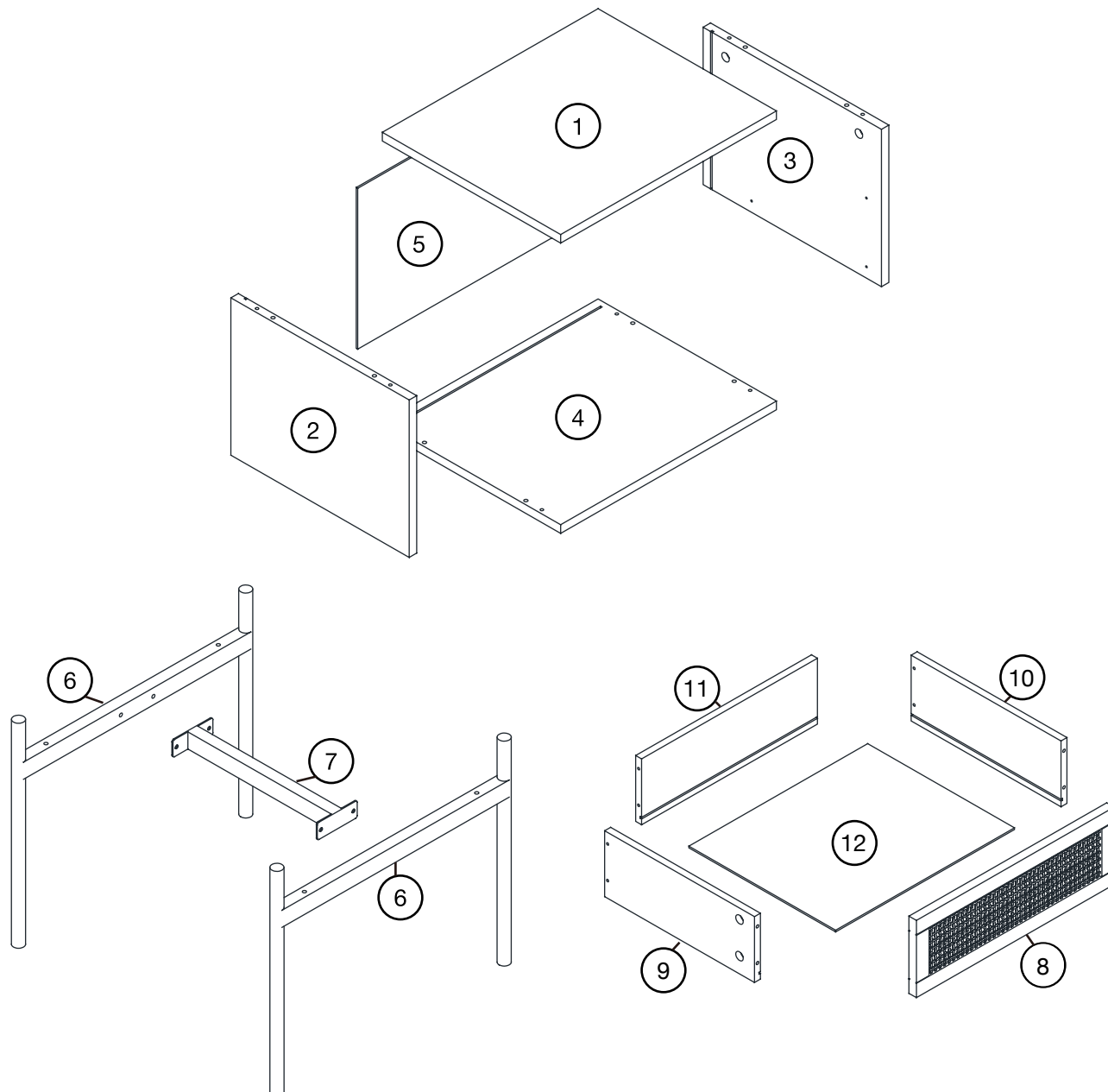
Description	Qty
1 Top Panel	1
2 Left Side Panel	1
3 Right Side Panel	1
4 Bottom Panel	1
5 Back Panel	1
6 Metal Frame	2
7 Center Stretcher	1
8 Drawer Front	2
9 Drawer Left Side	2
10 Drawer Right Side	2
11 Drawer Back	2
12 Drawer Bottom	2

Scan me!

Inspiration
Digital Instructions
Free Lifetime Warranty



The goods



IMPORTANT

1. Do not tighten bolts / screws completely until all bolts / screws are lined up and inserted into holes.
2. Do not over tighten screws and bolts to avoid stripping.
3. Please use hand tools to assemble this product. Do not use power tools.



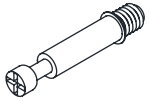
What's included

	Description	Qty
A	M6*35 Cam Bolt	12
B	15x9.5mm Cam Lock	12
C	M6*30mm Wooden Dowel	8
D	M5*40mm Screw	4
E	M3*12mm Screw	28
F	Left Side Panel Slide (CL)	2
F	Right Side Panel Slide (CR)	2
F	Right Side Drawer Slide (DR)	2
F	Left Side Drawer Slide (DL)	2
G	M4*30mm Screw	8
H	M6*15mm Bolt	4
I	M6*40mm Bolt	4
J	Allen Key	1
K	Handle	2
L	Plastic Brace	4
M	M3*16mm Screw	4



The goods

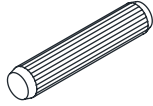
A



B



C



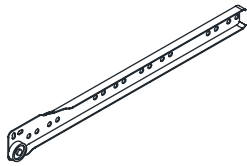
D



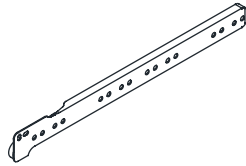
E



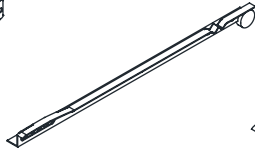
F (CL)



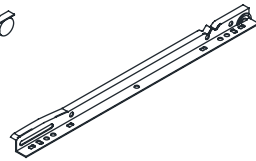
F (CR)



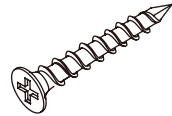
F (DR)



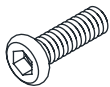
F (DL)



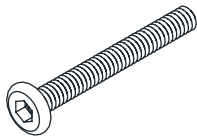
G



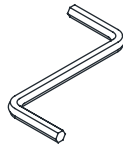
H



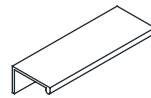
I



J



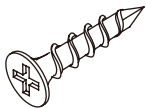
K



L



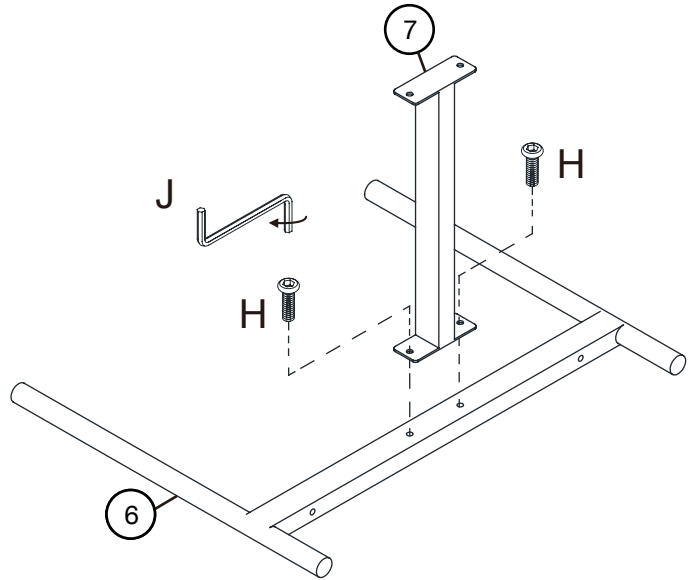
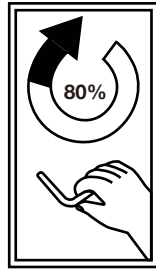
M



Step 1

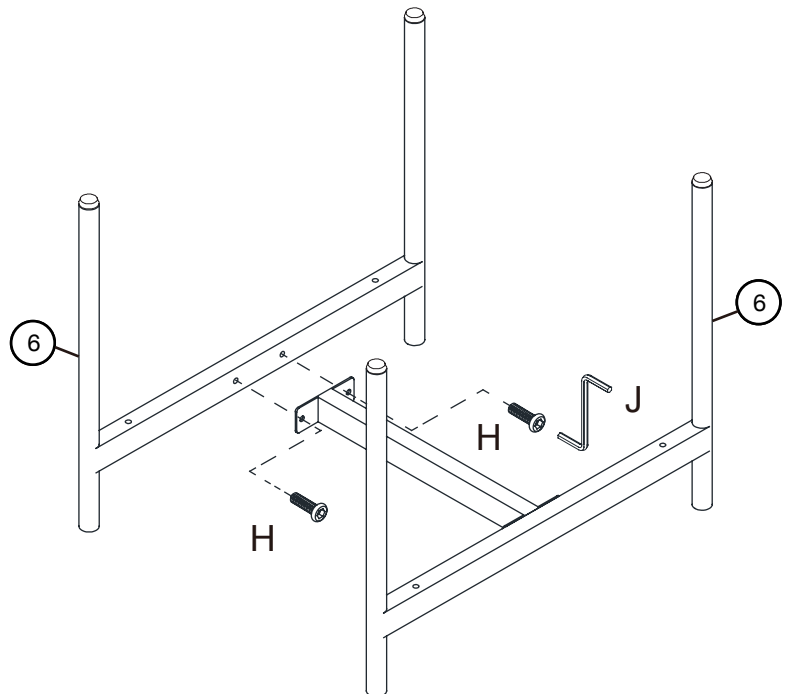
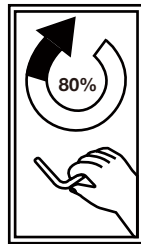
Let's get this thing fired up! Lay down packaging carton or use carpet as a working surface.

Attach the Center Stretcher (7) to the Metal Frame (6) and tighten to 80%.



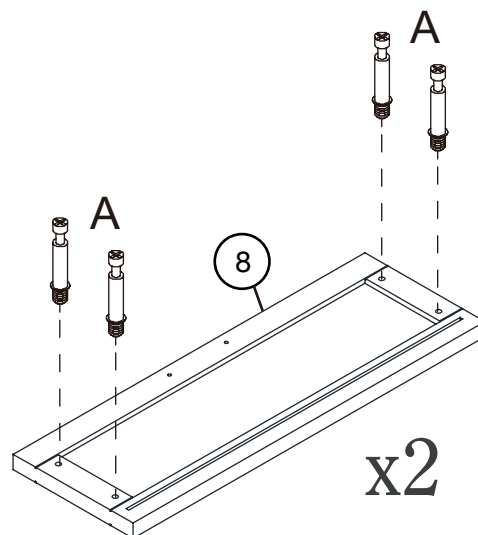
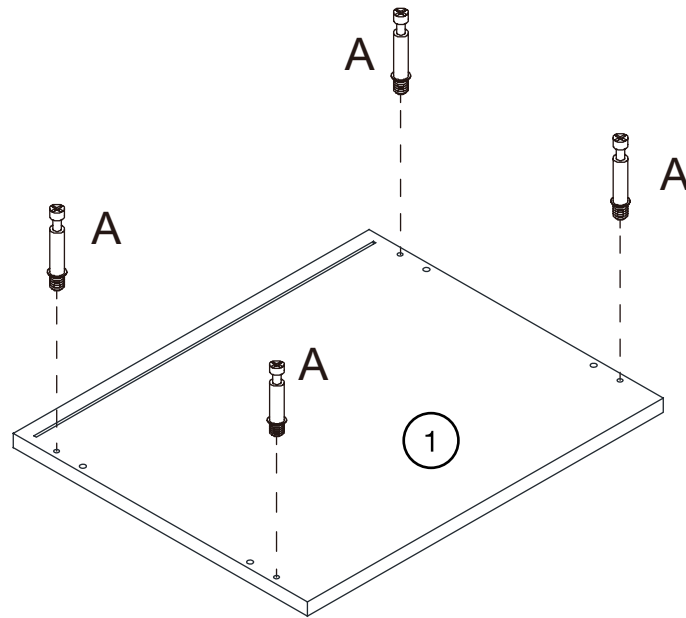
Step 2

Attach the other Metal Frame (6) and also tighten to 80%. See, this isn't so bad!



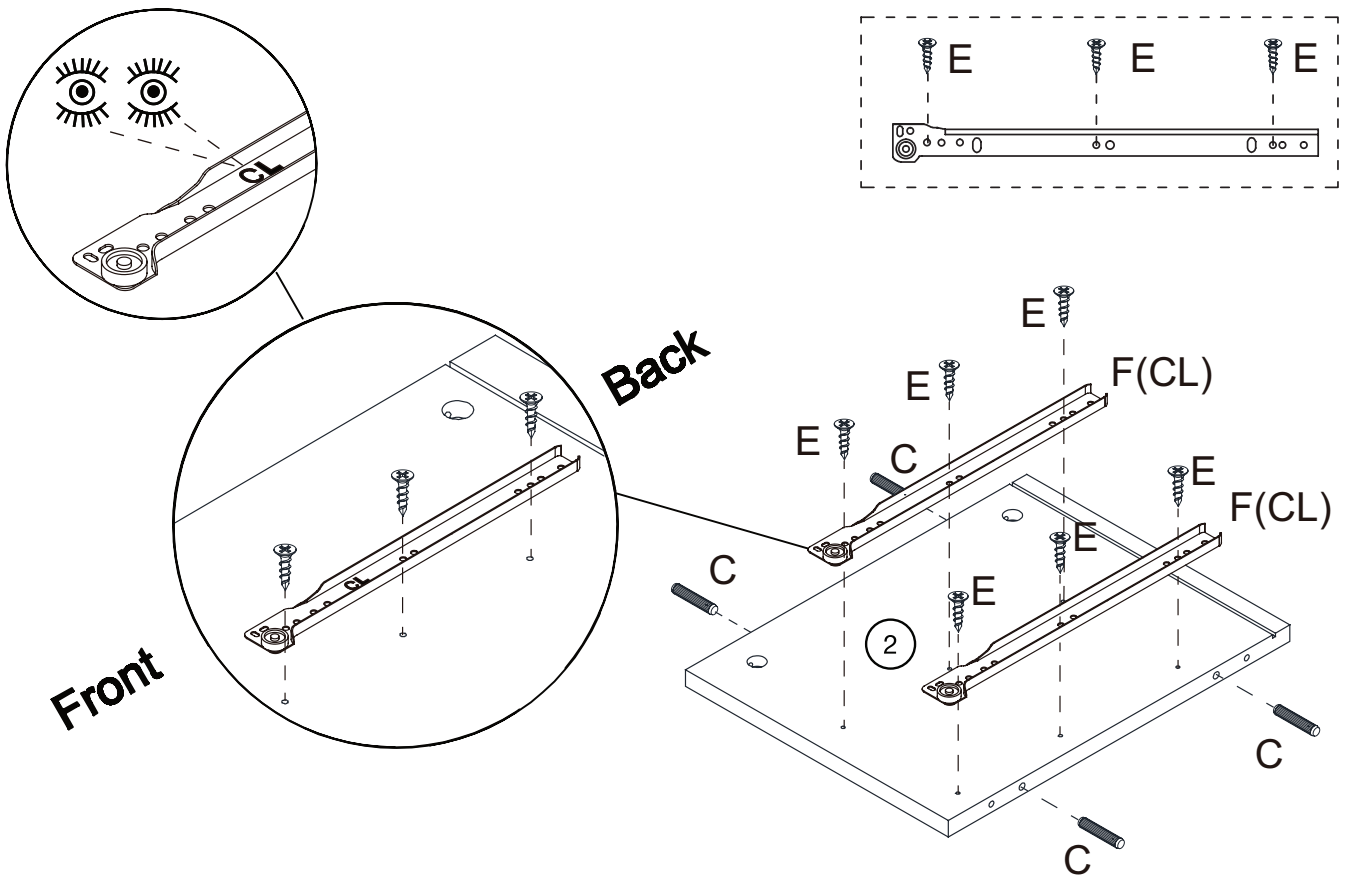
Step 3

What time is it? That's right, it's Cam Bolt time!
Screw the Cam Bolts (A) into the Top Panel and
into both Drawer Fronts (8).



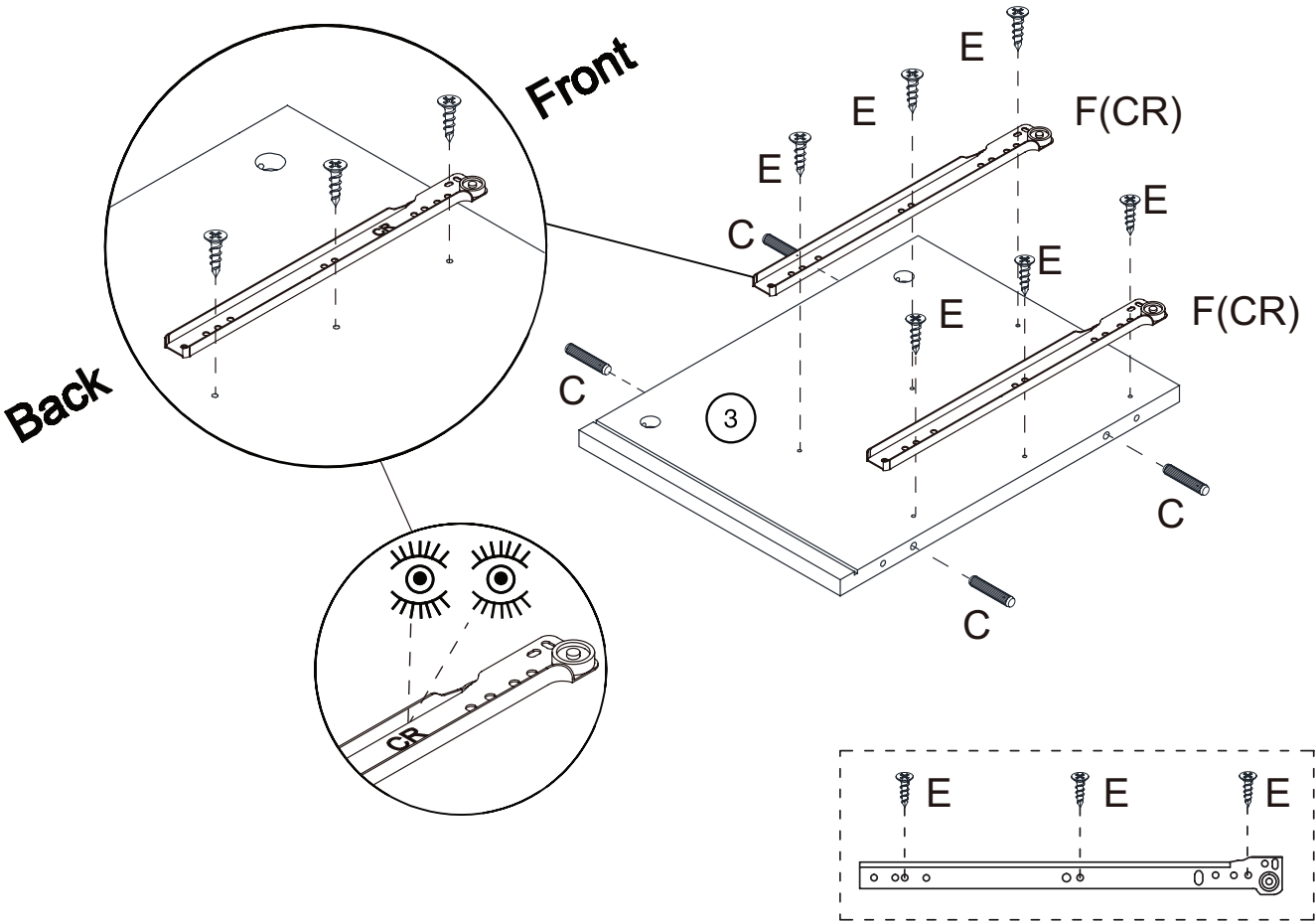
Step 4

Now it's time to attach the Left Side Panel Slides (CL) (F) to the Left Side Panel (2) using the M3*12 mm Screws (E). Insert the Wooden Dowels (C) into the sides of the panel.



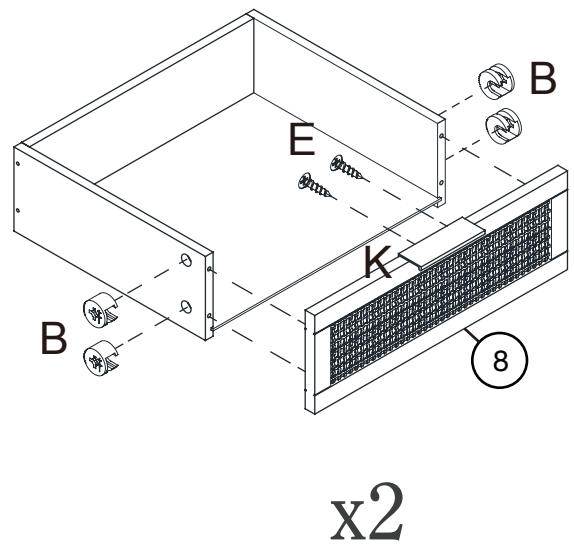
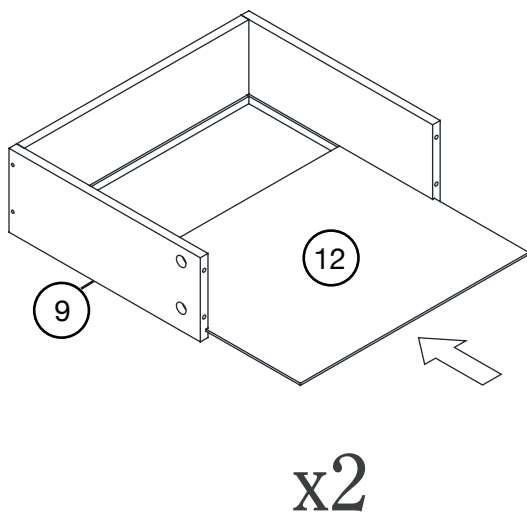
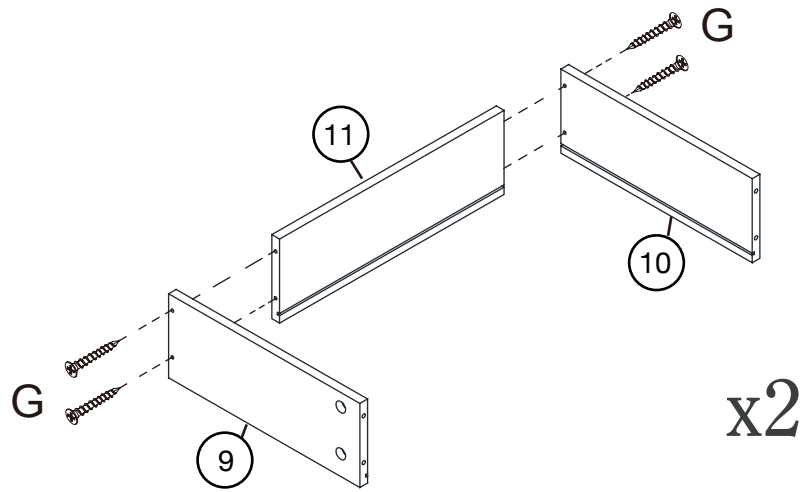
Step 4 cont.

Repeat that process with the Right Side Panel Slider (CR) (F) and Right Side Panel (3).



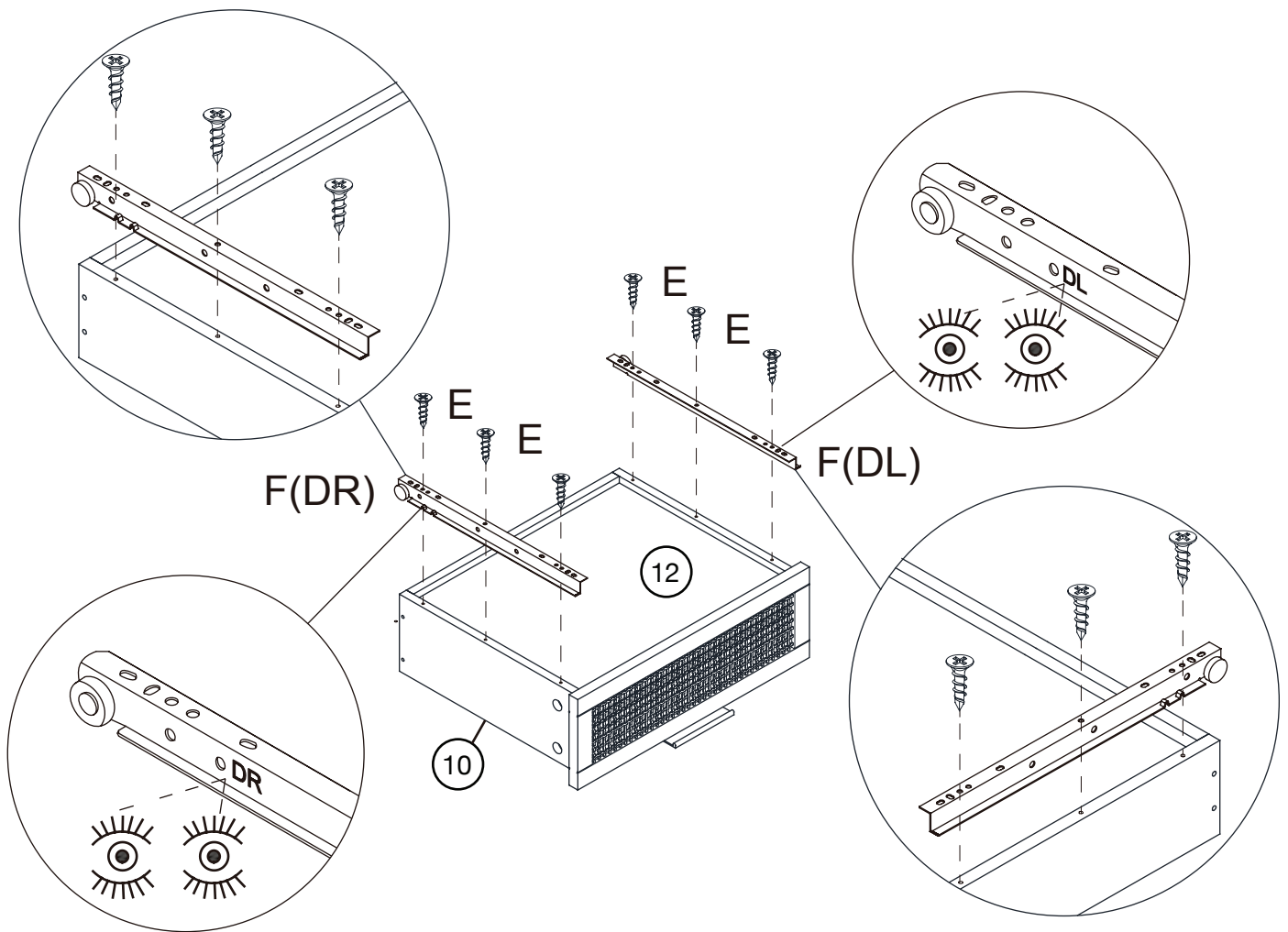
Step 5

Let's get these beautiful drawers built! A friendly reminder that you'll need to do this step twice!



Step 6

Time to make sure that drawer slides oh so smooth. Attach the Left (DL) (F) and Right Side Drawer Sliders (DR) (F) to the bottom of the drawer using M3*12 mm Screws (E). Make sure you attach them to the correct sides!



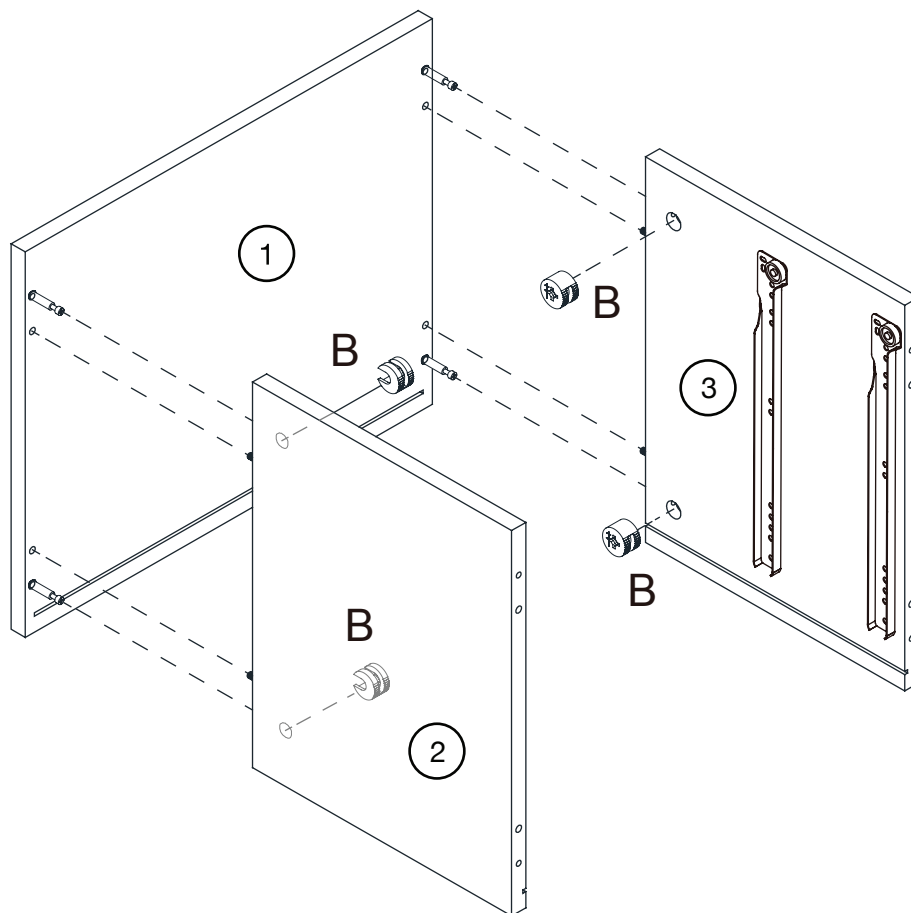
x2



Step 7

Take the left and right side panels from Step 4 and attach them to the Top Panel (1). You're over halfway there!

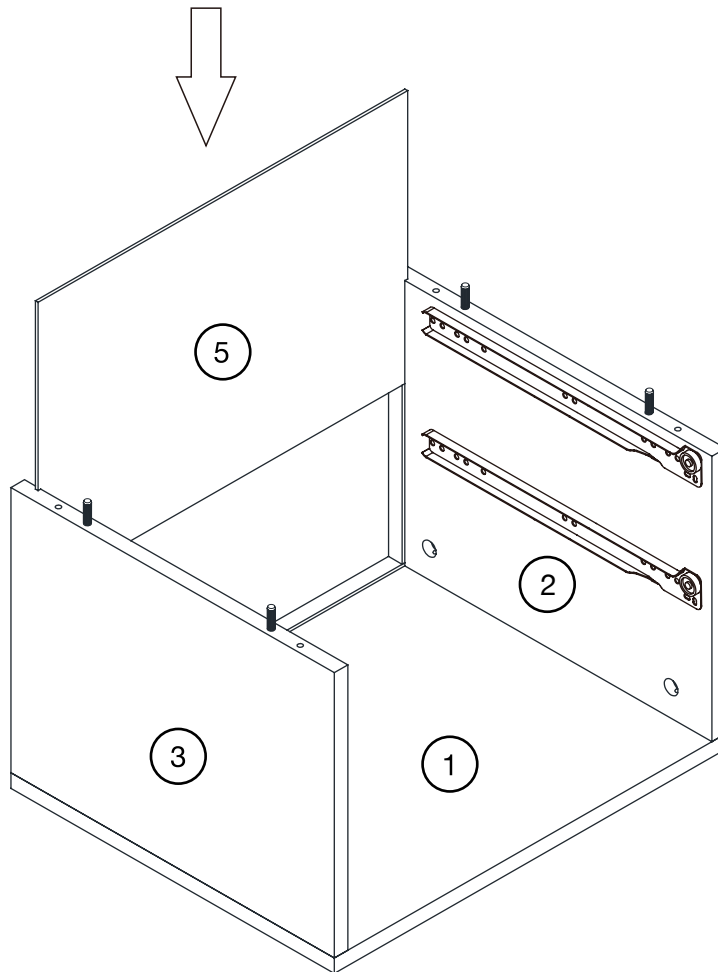
Time for a bubbly refill? We think yes.



Step 8

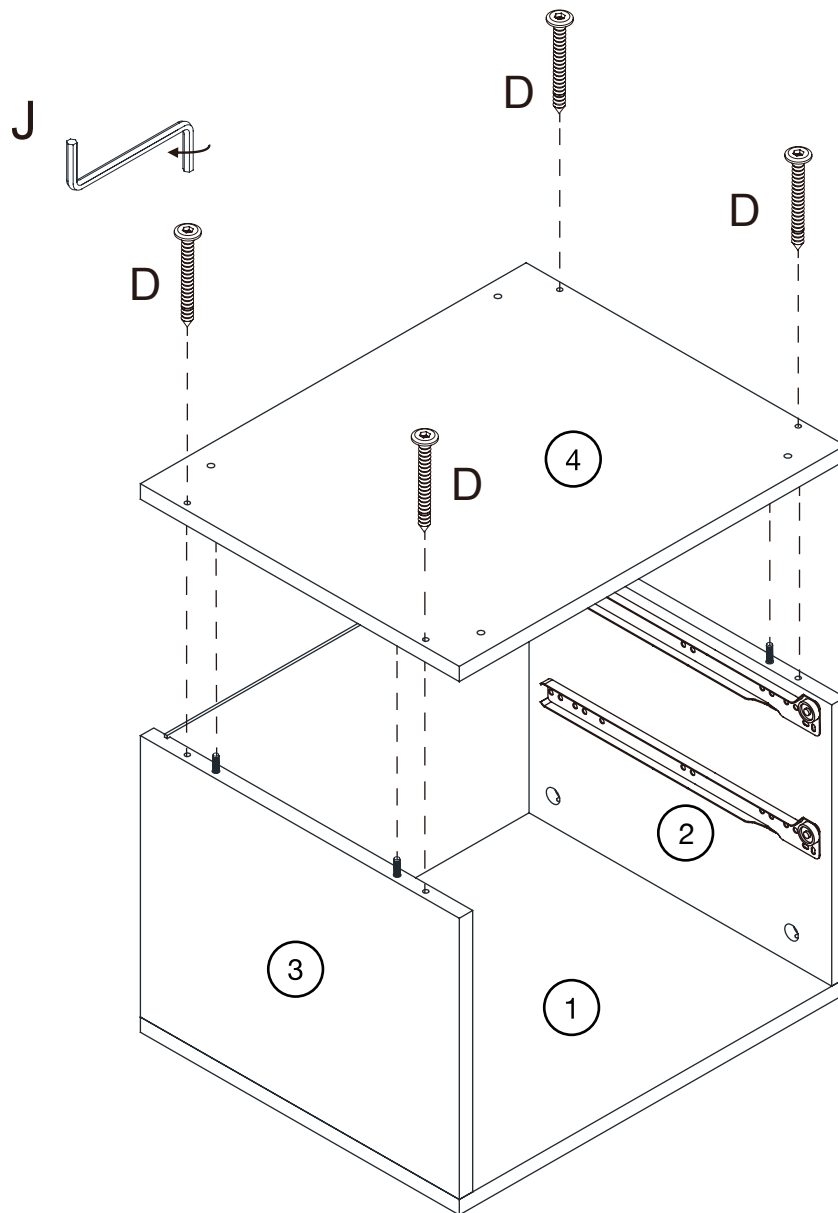
Carefully slide in the Back Panel (5).

If only all the steps were this easy!



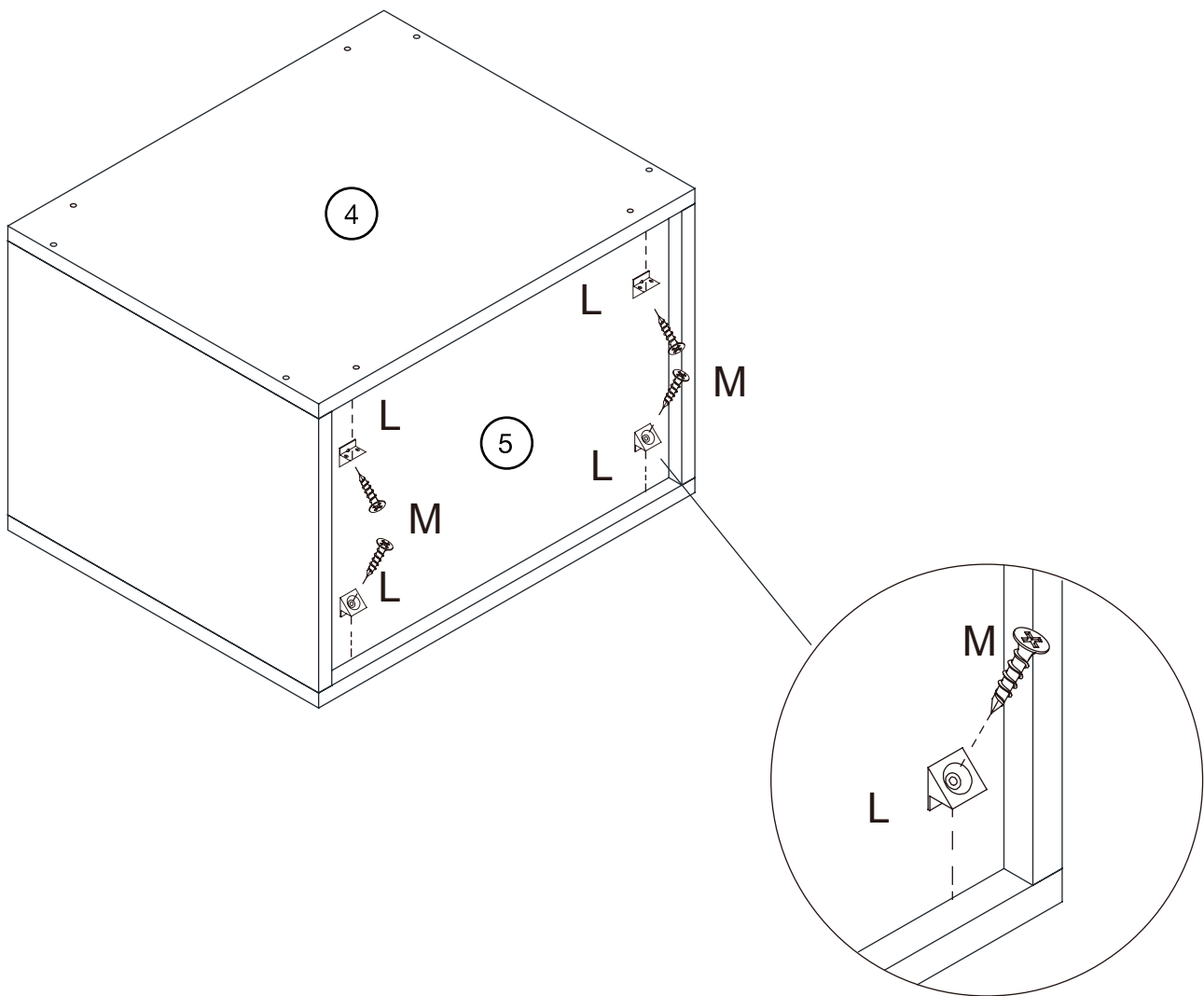
Step 9

Screw the Bottom Panel (4) on. Are your wrists tired yet? Sorry about that. It will all be worth it, we promise!



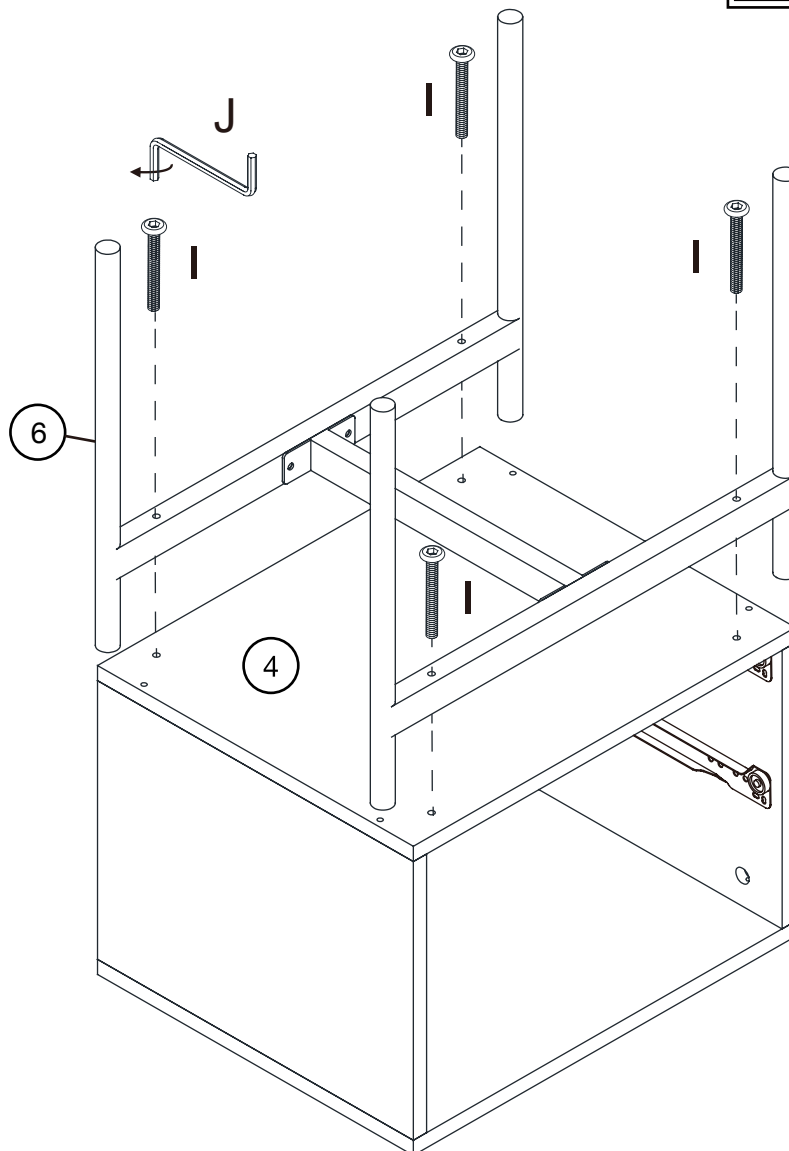
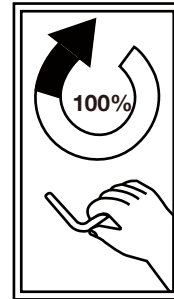
Step 10

Let's get that Back Panel (5) secured! Screw on the Plastic Braces (L) to the back of the unit.



Step 11

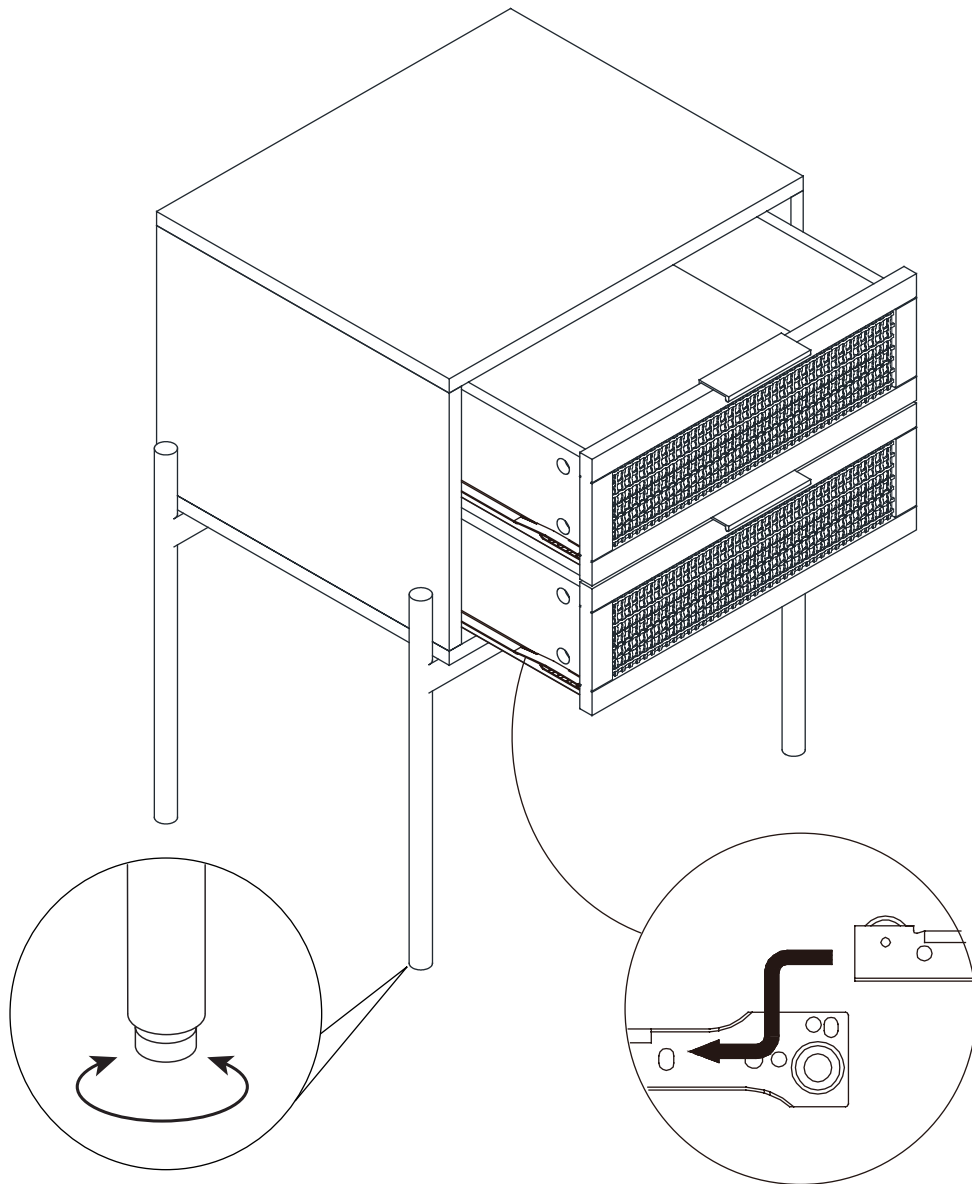
Remember that frame you put together in Step 1? Well, it's now ready to be put to use! Attach it to the Bottom Panel (4) and tighten to 100%.



Step 12

This may be our favorite step of all (and we have a feeling it's going to be yours, too).

Line up the drawer slides and carefully push the drawers in!
You did it!



Wobbly or unlevel?
Adjust feet until stable!
No spilled coffee here!



No heartburn, when we handle the return

Give us a call **1-866-619-1004** or shoot us a message at **help@nathanjames.com** we will issue you a free replacement with **zero hassle**.

Our way



Give us a call



Replacement



You

Their way



Re-package item



Schedule pick up



Track package



Replacement



You

We really don't want you to go through the hassle of re-packaging your item and sending it back, because let's be honest...nobody has time for that.



Safety first, fun later

We want your Andrew Side Table to last as long as possible, so we recommend that you tighten the screws 2 weeks after assembly and for added safety check the tightness of all screws every 2 months.

For proper care and treatment of wood and metal please check our website at NathanJames.com/products

Safe use of this product starts with you.

Use this side table responsibly with the primary concern for your safety. Follow assembly instructions carefully and inspect product upon receipt and each use.

Nathan James and its parent companies cannot be held legally responsible for any injuries or death resulted from failure to follow instructions or improper use of this product.

Do not modify the structure of this product in any way.

Our products have been tested to meet specific safety measures as they were originally intended to be sold. Any modifications will present the risk of creating significant safety issues which NJ will not be responsible for.

Proper use

- DO NOT** use for commercial purposes
- DO NOT** climb on side table
- DO NOT** exceed weight limit
- DO NOT** leave spilled liquid on side table
- DO NOT** use if table is damaged or broken
- DO NOT** make temporary repairs
- DO NOT** use outdoors



We are only in business if you're happy

For starters, thanks for being you.

☎ Toll-free at 1-866-619-1004

✉ Help@nathanjames.com

🌐 NathanJames.com/help

We do our best to ensure your furniture arrives without any problems, but occasionally mistakes happen—as humans we are imperfect beings. In the event that a part is damaged or missing, we will be more than happy to provide you with replacement part(s) for free.

Warranty

This product comes with a lifetime warranty from the date of purchase. Please use your phone to scan the QR code to register your product or visit <https://goo.gl/i9dk3q>



Did we do alright? Please spread the love!

If you are happy with your product, tell your friends and family about us or even better leave us a review online. Spreading the word gives us the opportunity to make more people happy and keep our prices low for your next purchase.

Brooklyn Burden

Founder, Nathan James