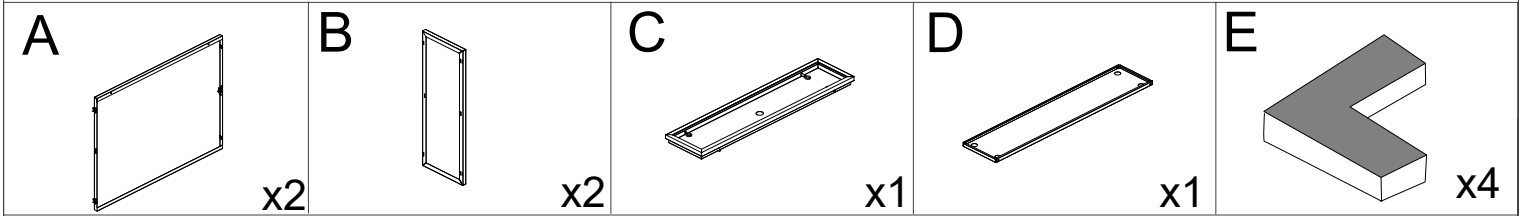
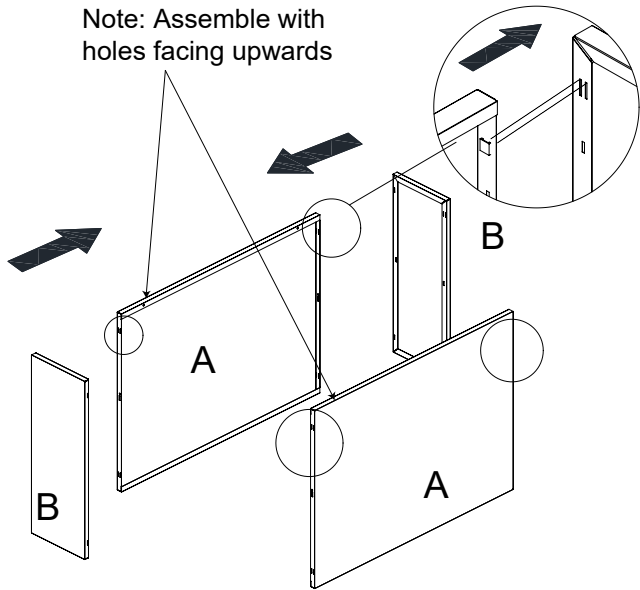


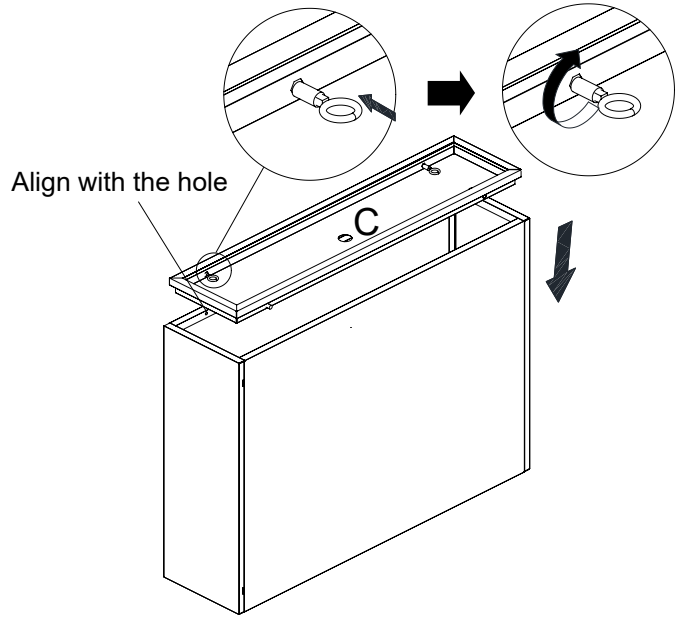
# Assembly Instructions



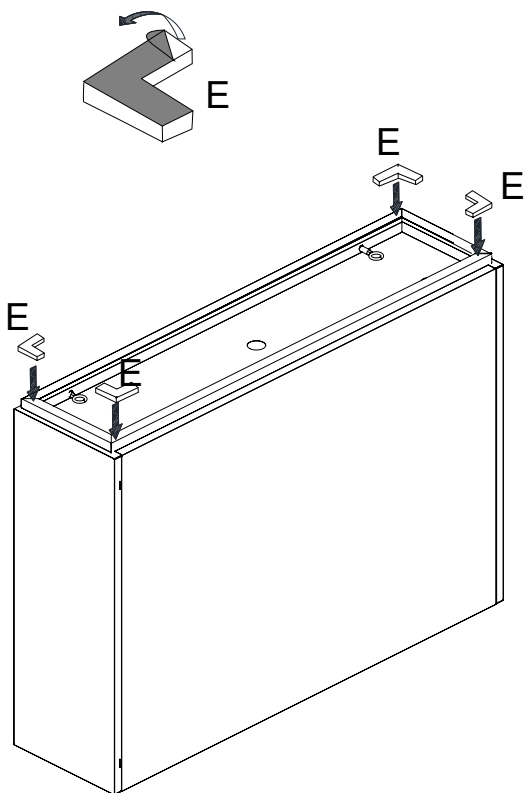
## Step 01



## Step 02



## Step 03



## Step 04

