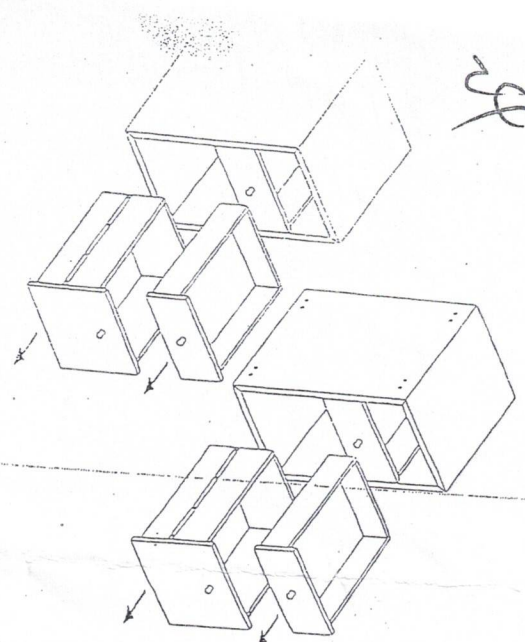
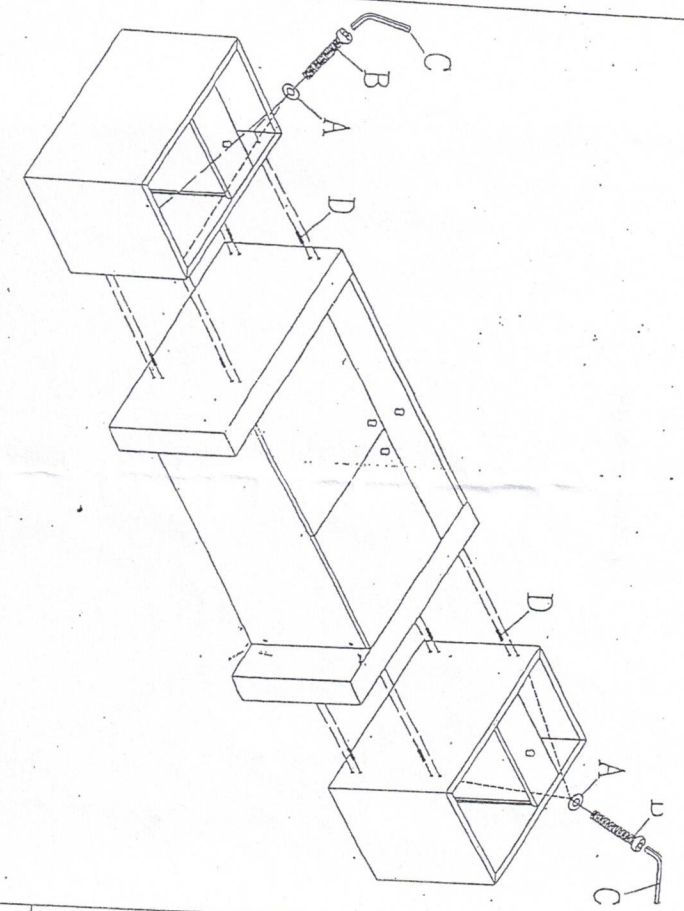
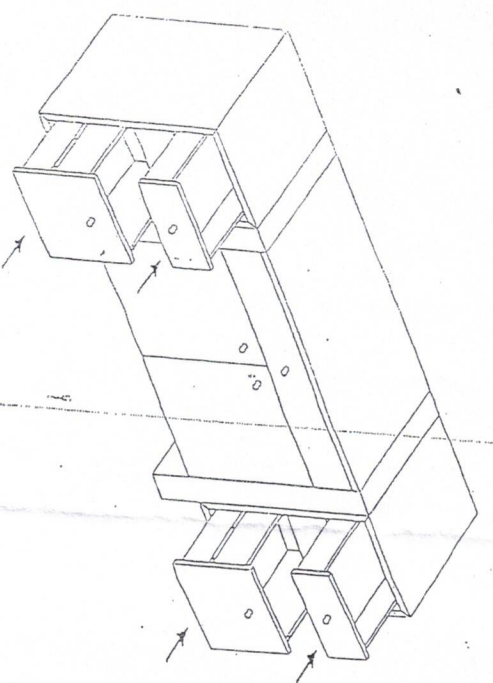


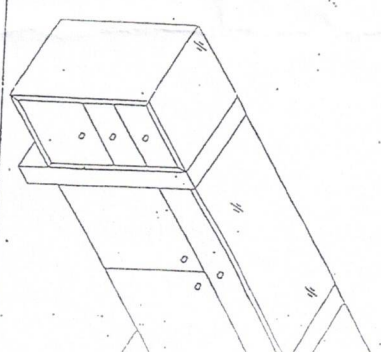
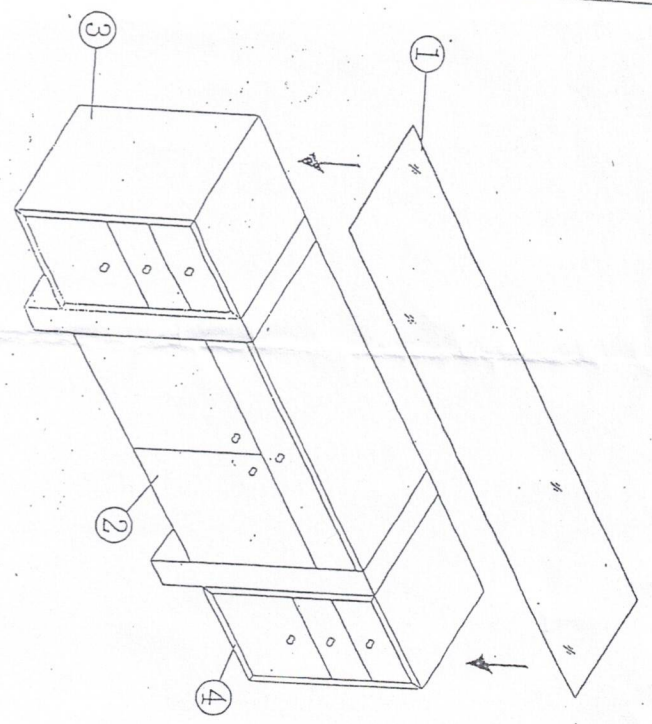
28



STBP-3



STBP-4



PARTS LIST
NO. DESCRIPTION

①	
②	
③	
④	

HARDWARE LIST

NO.	DESCRIPTION	SIZE
A		$\phi 20 \times \phi 8.5 \times$
B		$M8 \times 40$
C		P5
D		$\phi 10 \times 30$