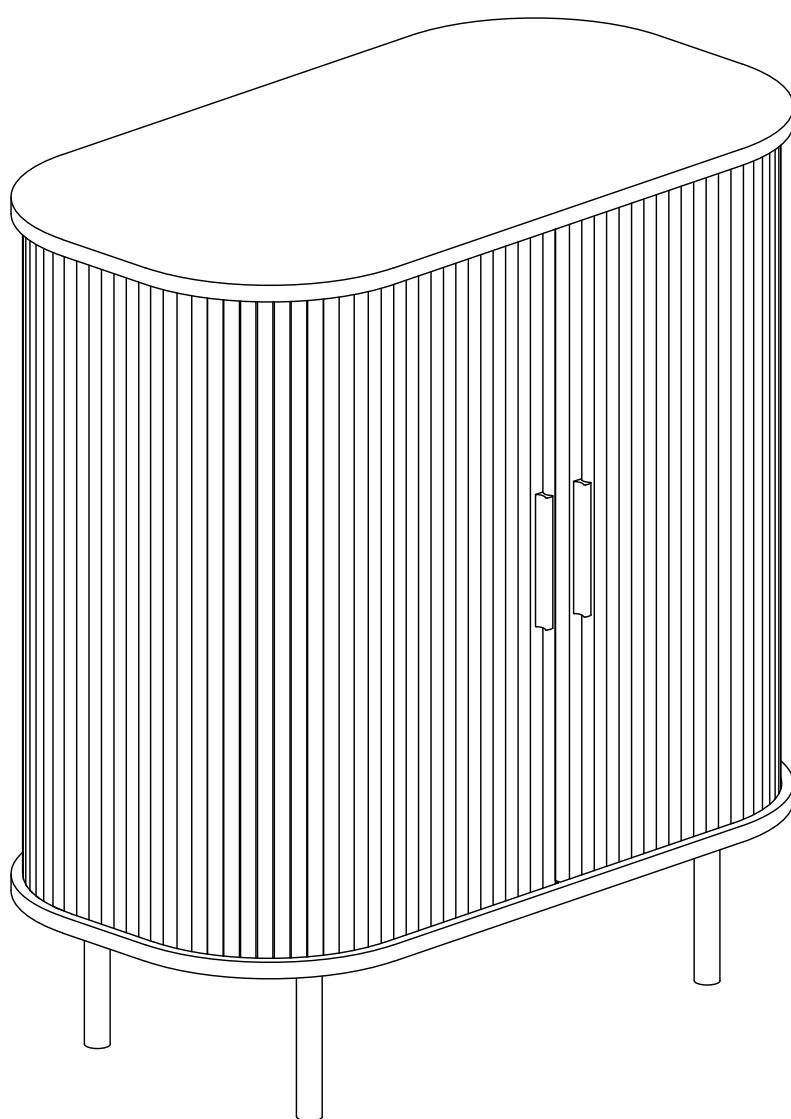


WINE CABINET

Assembly Instructions-Please keep for future reference

SKU:N728P458234



! WARNING	
	This product is NOT a Clothing Storage Unit (CSU). DO NOT use it for clothing storage. Improper use may cause furniture tipover.

Important -Please read these instructions fully before starting assembly

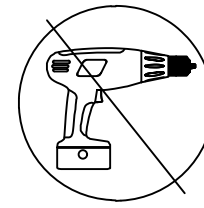


Safety and Care Advice

Important - Please read these instructions fully before starting assembly

- . Check you have all the components and tools listed on the following pages.
- . Remove all fittings from the plastic bags and separate them into their groups.
- . Keep children and animals away from the work area, small parts could choke if swallowed.
- . Make sure you have enough space to layout the parts before starting.

- . During assembly do not stand or put weight on the product, this could cause damage.
- . Assemble the item as close to its final position (in the same room) as possible.
- . Assemble on a soft level surface to avoid damaging the unit or your floor.
- . Parts of the assembly will be easier with 2 people.



power drill is set on a low torque setting.

- . To reduce the likelihood of damaging your product please ensure that your

Care and maintenance

- . Only clean using a damp cloth and mild detergent, do not use bleach or abrasive cleaners.
- . From time to time check that there are no loose screws on this unit.
- . This product should not be discarded with household waste. Take to your local authority waste disposal centre.

Handy Hints

- . Assemble all parts and bolts loosely during assembly, only once the product is complete should you fully tighten the bolts
- . Regularly check and ensure that all bolts and fittings are tightened properly.

WARNING In order to help prevent overturning - please follow these instructions

To help prevent product toppling over please follow the below steps:-

- Use the anti tip strap or wall fixing method provided (if applicable)
- Do not allow children to climb or hang on the furniture
- Do not open more than one drawer at a time
- Do not place heavy items in the top drawers
- Do not place heavy items on top of the furniture, unless the furniture has been designed for this purpose



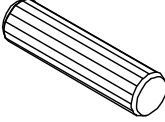
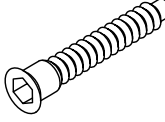
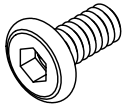

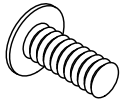
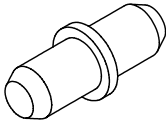
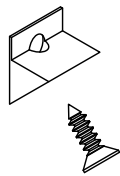


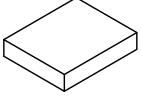
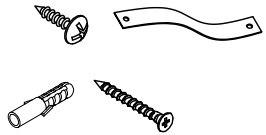
Please note that only the anti tip strap is provided.

You will need to provide wall plugs and screws applicable for your wall type

Components - Fittings

Please check you have all the panels listed below

Note: The quantities below are the correct amount to complete the assembly. In some cases more fittings may be supplied than are required.

A	x24	B	x24	C	x16	D	x8
							
Ø6x35mm		Ø15x9mm		Ø6x30mm		Ø5x38mm	
E	x20	F	x2	G	x4	H	x4
							
M6x12mm				M4x8mm		Ø5x13.5mm	
I	x8	J	x1	K	x1	L	x1
							
		M4		M3			
M	x2						
							

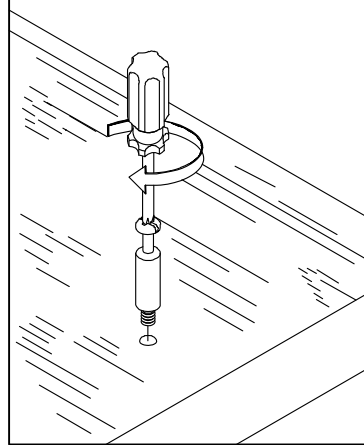
Using Camlocks

Step 1

Connect the camlock as directed in the assembly Instructions using a screwdriver.

1

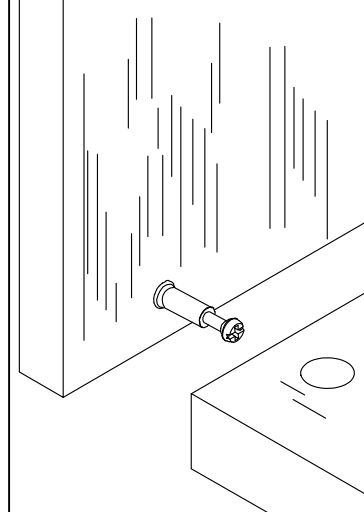
DO NOT OVER TIGHTEN.
NE PAS SERRER EXCESSIVEMENT.



Step 2

Push the male camlock into the entry hole.

2

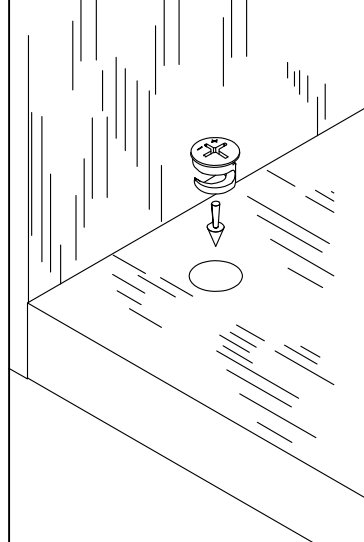


Step 3

Insert the female camlock as shown in the instruction.

Note: ensure that the arrow on the top of the camlock points towards the entry hole for the male camlock.

3



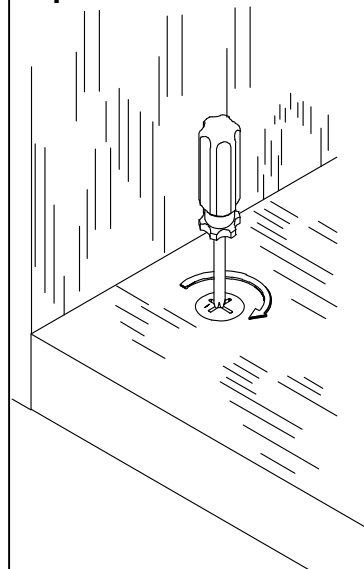
Step 4

Turn the female camlock clockwise with a screwdriver.

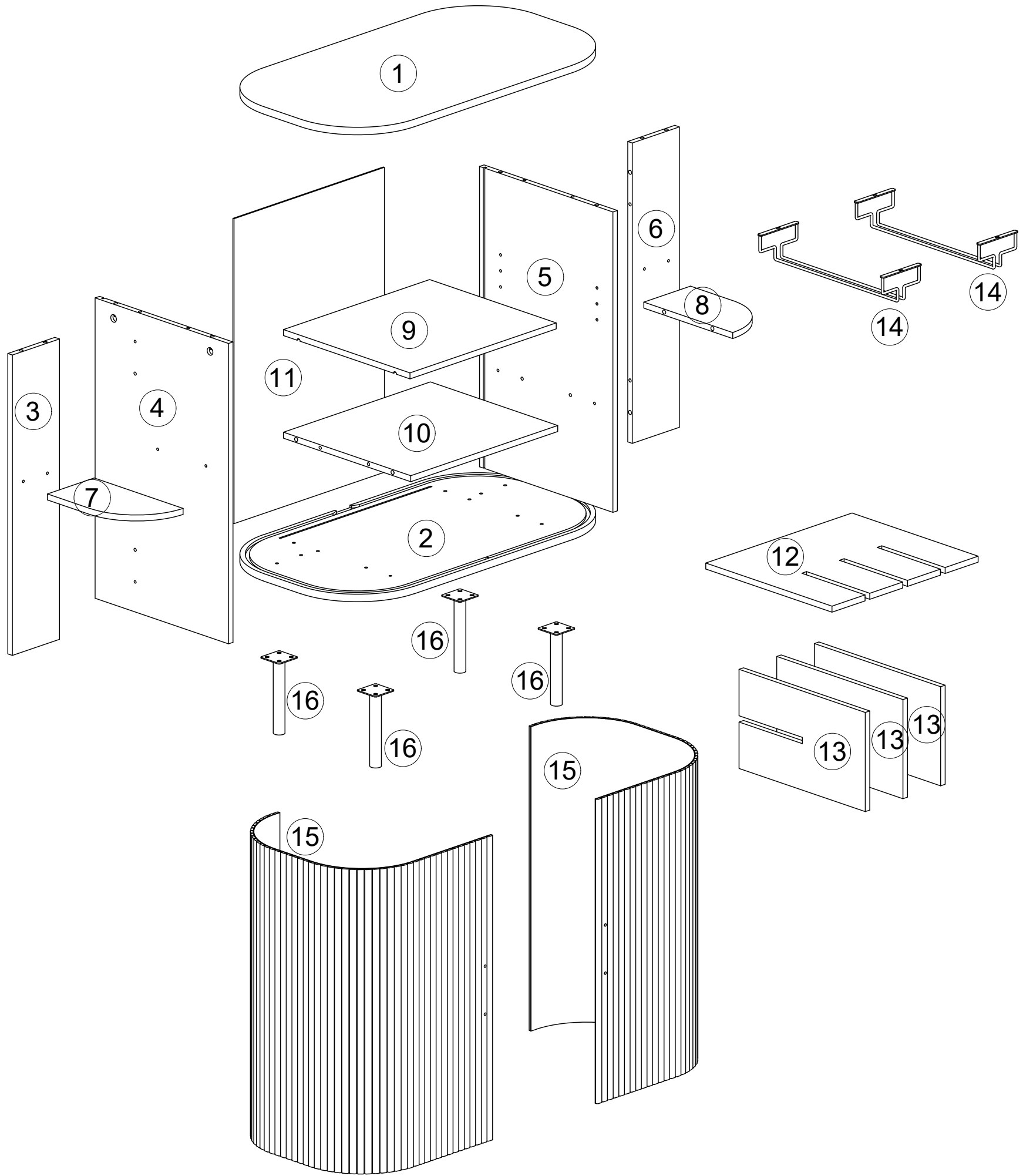
You should feel a click when the camlock is locked in place.

The joint is now secure.

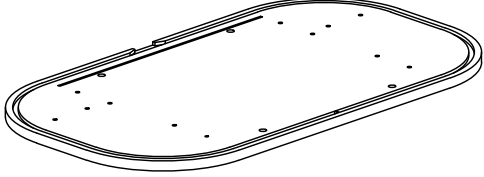
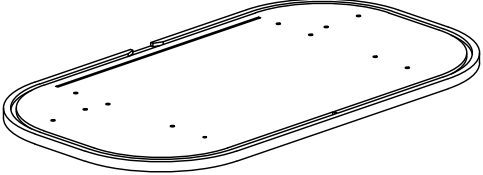
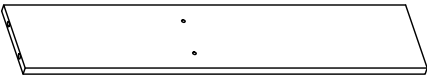
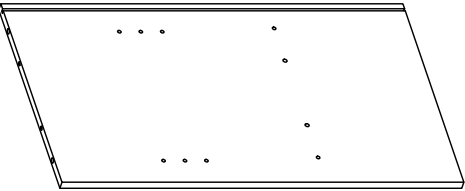
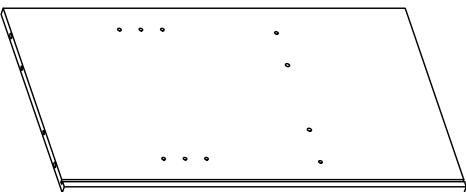
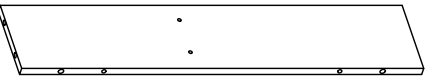

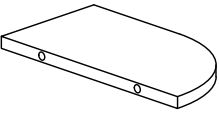
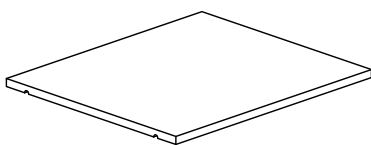
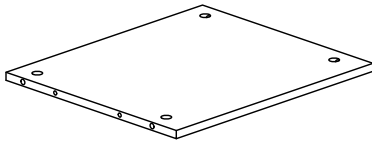
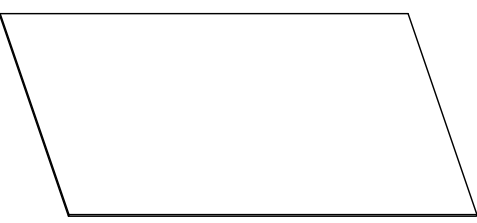
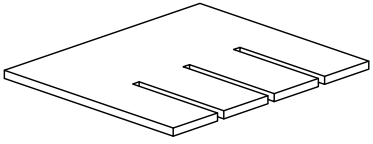
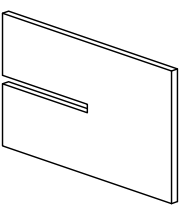
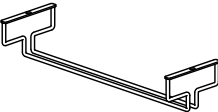
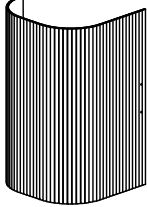
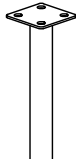
4



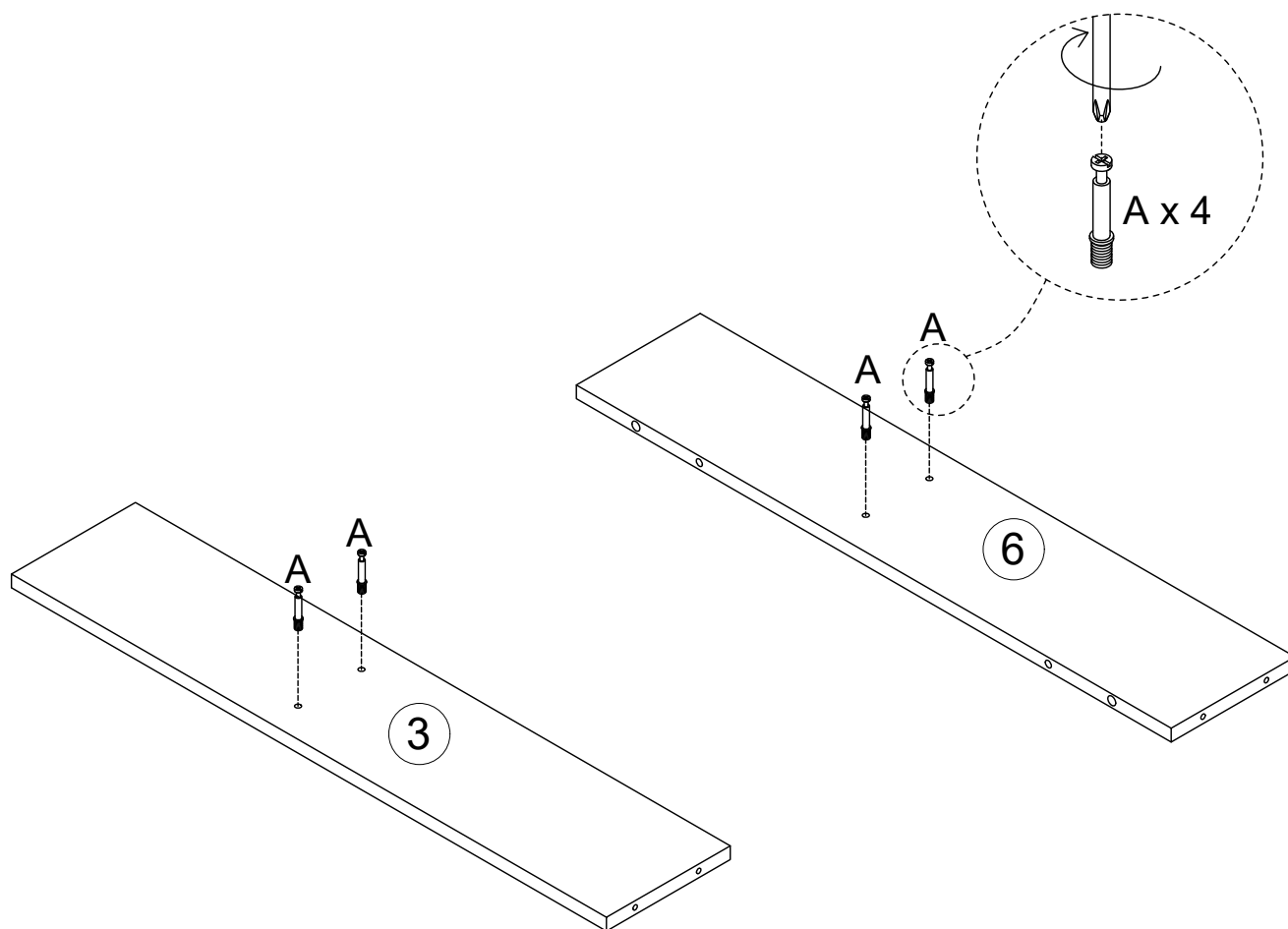
Parts list

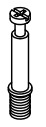


N728P458234

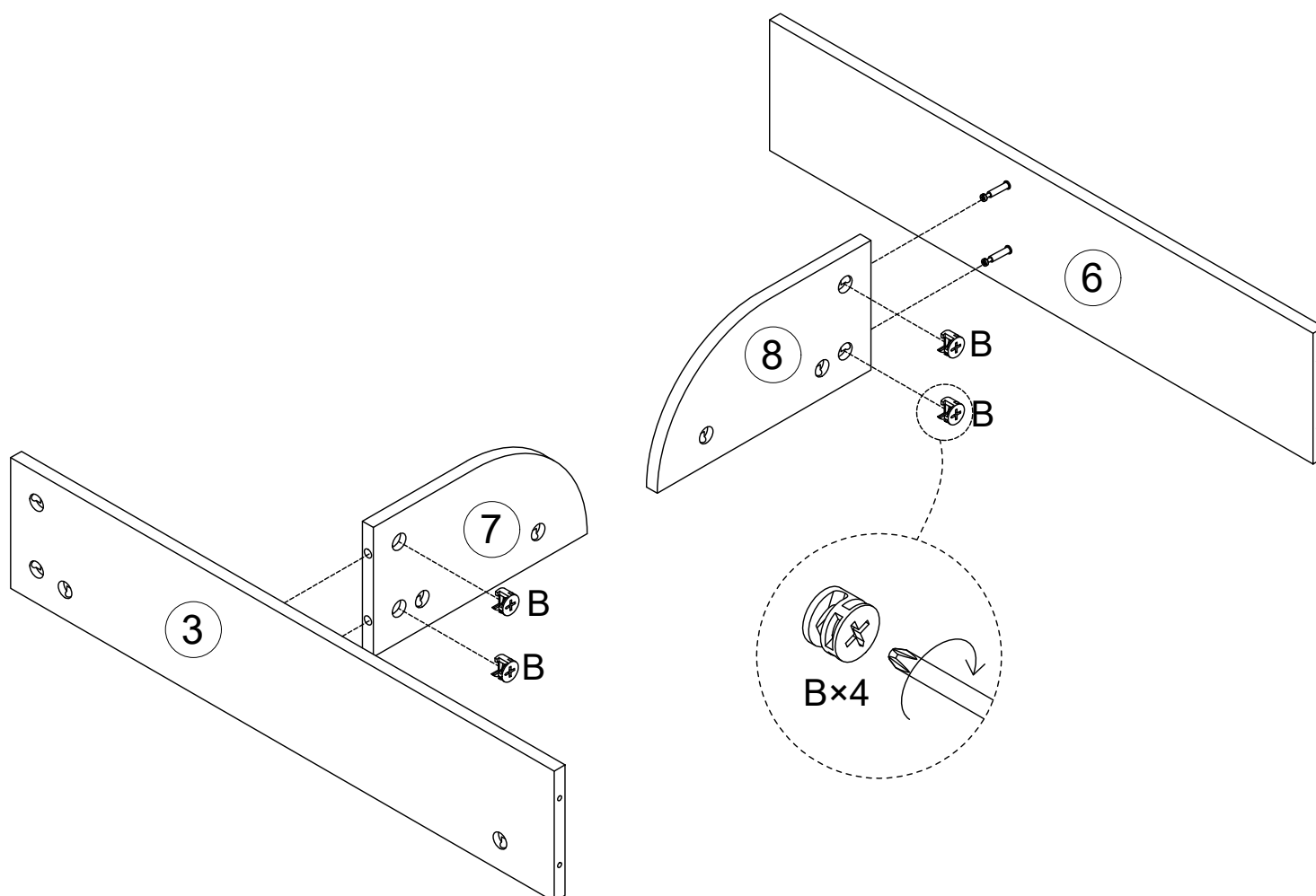
<p>① x1</p> 	<p>② x1</p> 
<p>③ x1</p> 	<p>④ x1</p> 
<p>⑤ x1</p> 	<p>⑥ x1</p> 
<p>⑦ x1</p> 	<p>⑧ x1</p> 
<p>⑨ x1</p> 	<p>⑩ x1</p> 
<p>⑪ x1</p> 	<p>⑫ x1</p> 
<p>⑬ x3</p> 	<p>⑭ x2</p> 
<p>⑮ x2</p> 	<p>⑯ x4</p> 


1



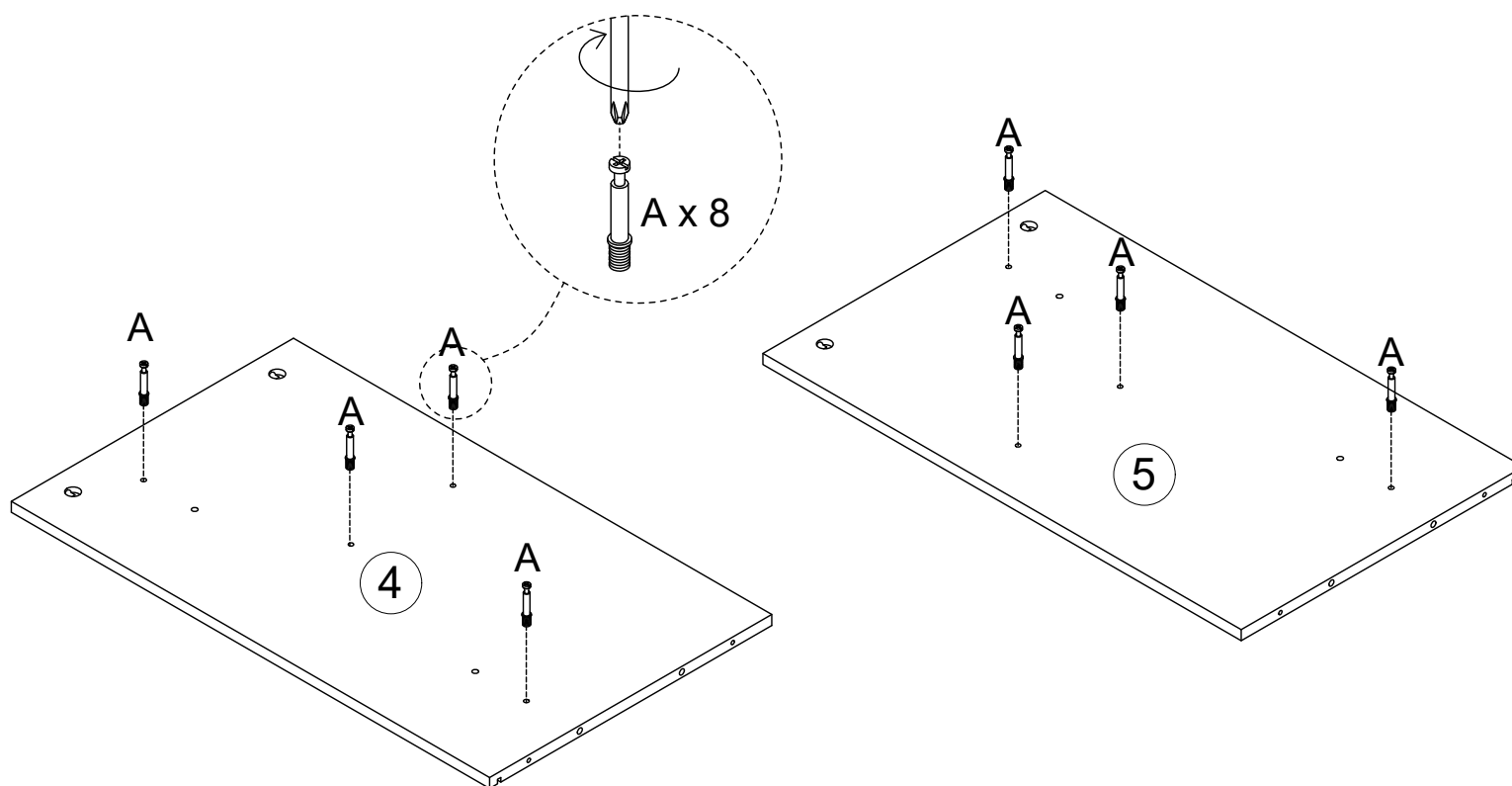
A	x4
	
Ø6x35mm	

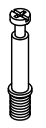
2



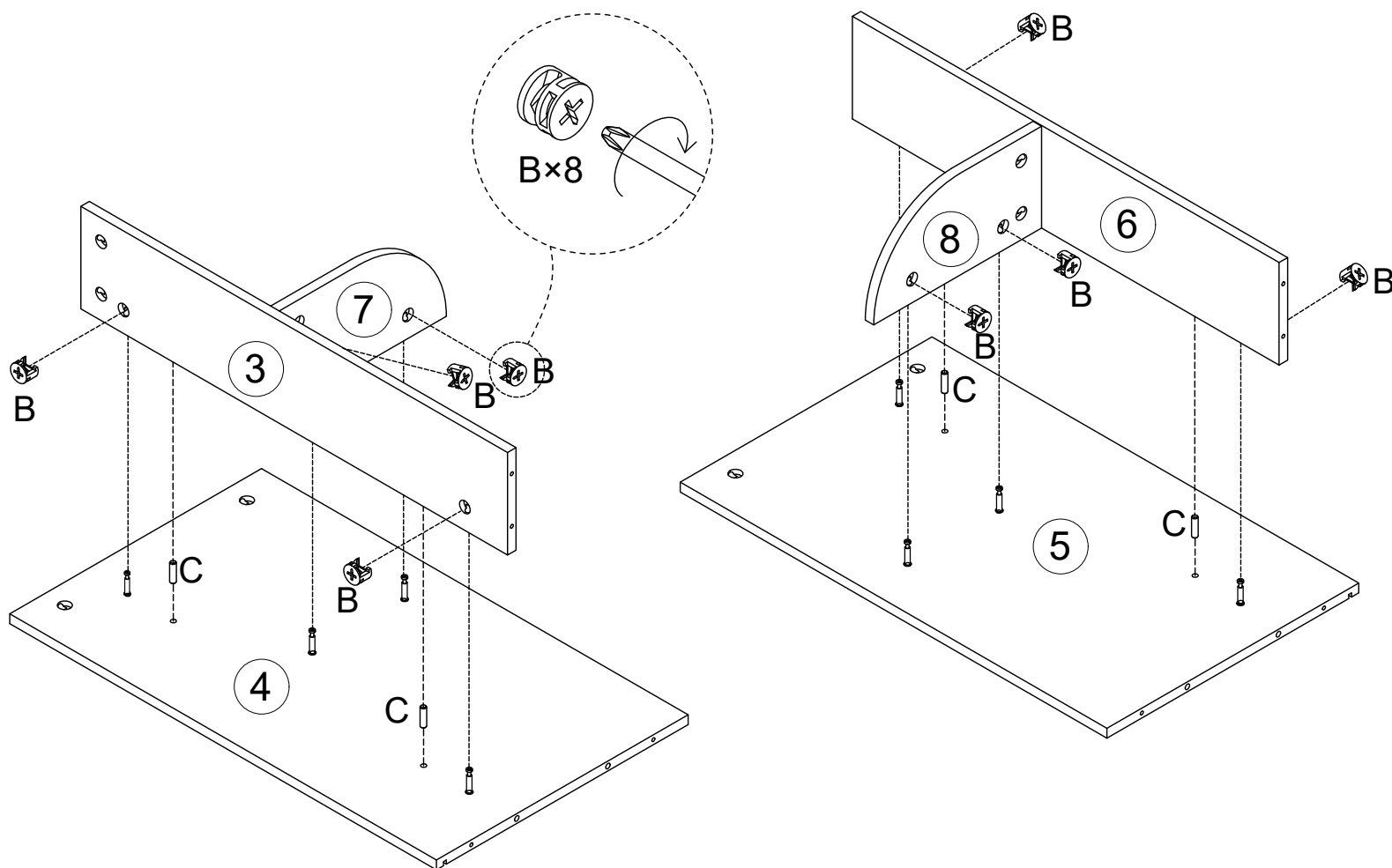
B	x4
	
Ø15x9mm	


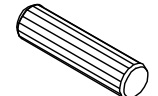
3



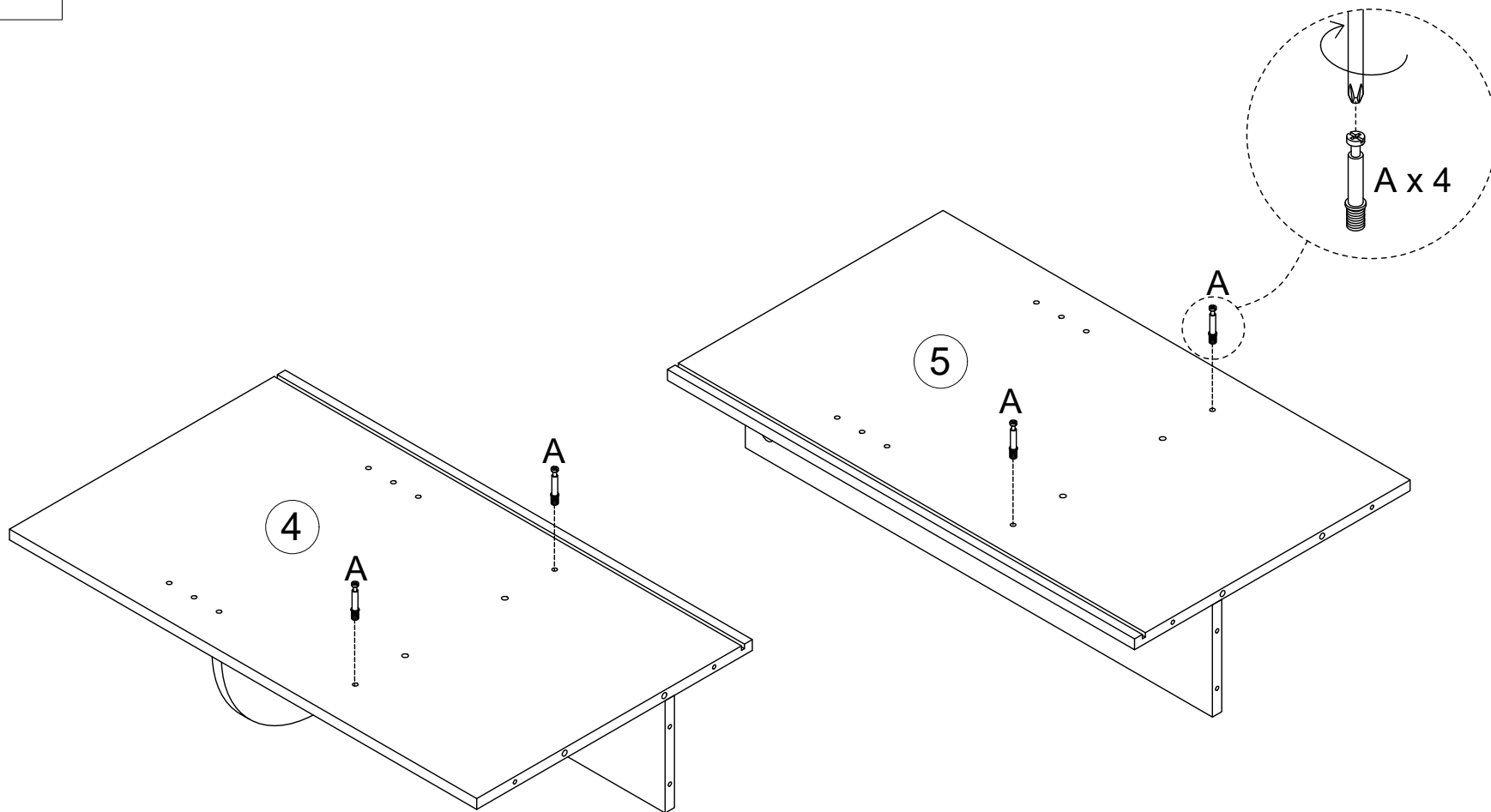
A	x8
	
$\text{Ø}6 \times 35 \text{mm}$	


4



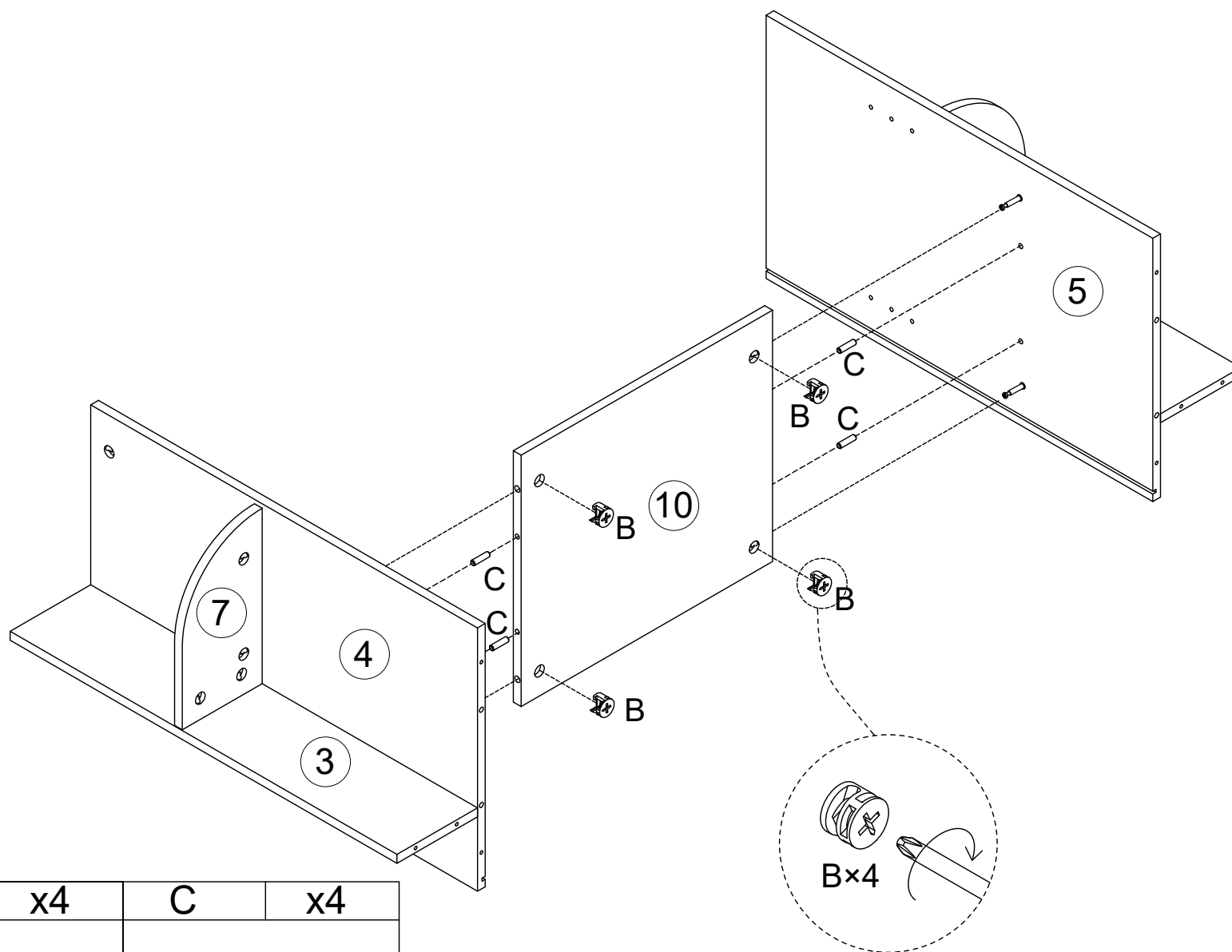
B	x8	C	x4
			
$\text{Ø}15 \times 9 \text{mm}$		$\text{Ø}6 \times 30 \text{mm}$	


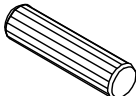
5



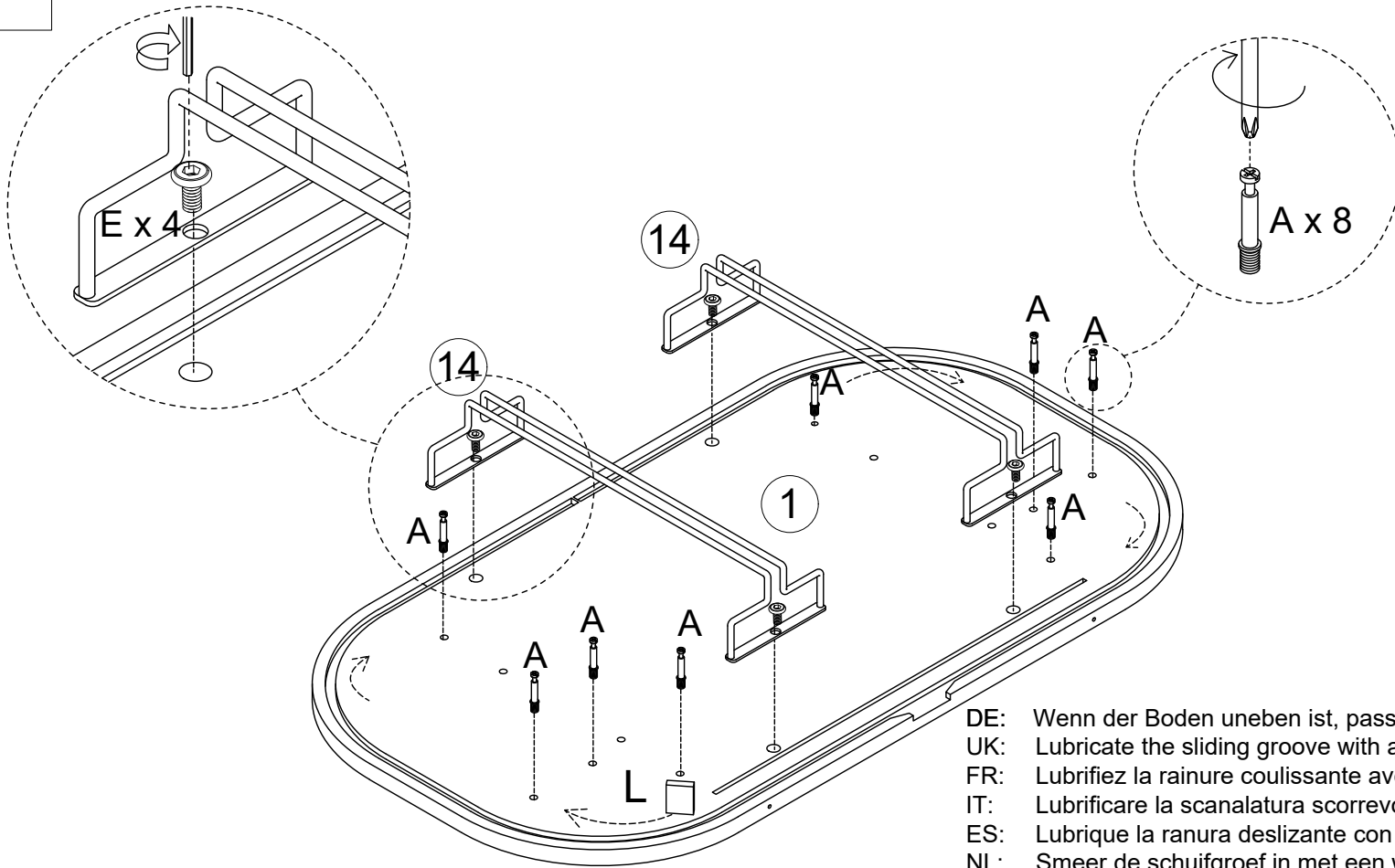
A	x4
	
Ø6x35mm	

6



B	x4	C	x4
			
Ø15x9mm		Ø6x30mm	

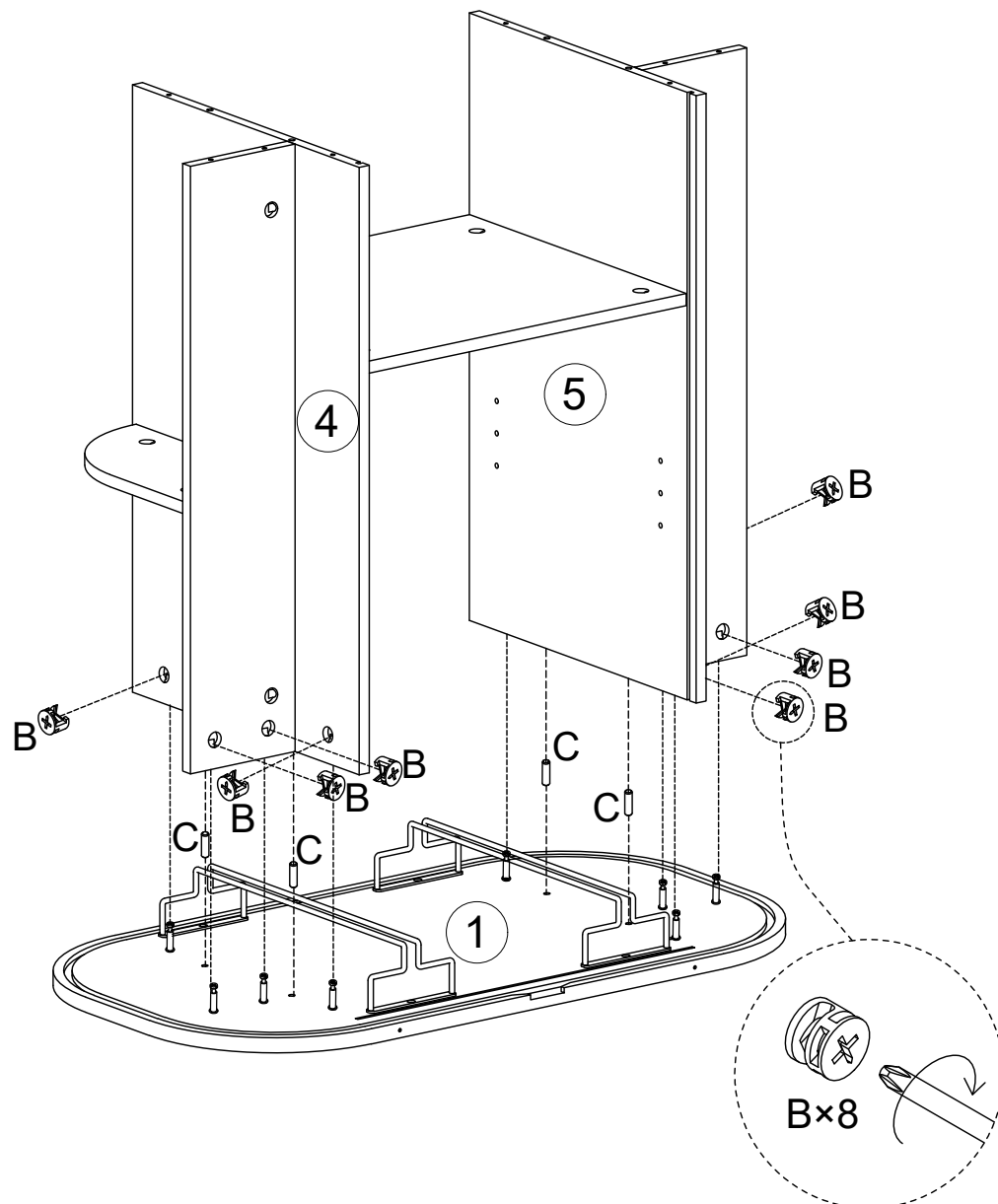
7



DE: Wenn der Boden uneben ist, passen Sie die Einstellfußpolster
 UK: Lubricate the sliding groove with a wax block.
 FR: Lubrifiez la rainure coulissante avec un bloc de cire.
 IT: Lubrificare la scanalatura scorrevole con un blocchetto di cera.
 ES: Lubrique la ranura deslizante con un bloque de cera.
 NL: Smeer de schuifgroef in met een wasblok.
 SE: Smörj glidspåret med ett vaxblock.
 PL: Nasmaruj rowek ślizgowy blokiem wosku.

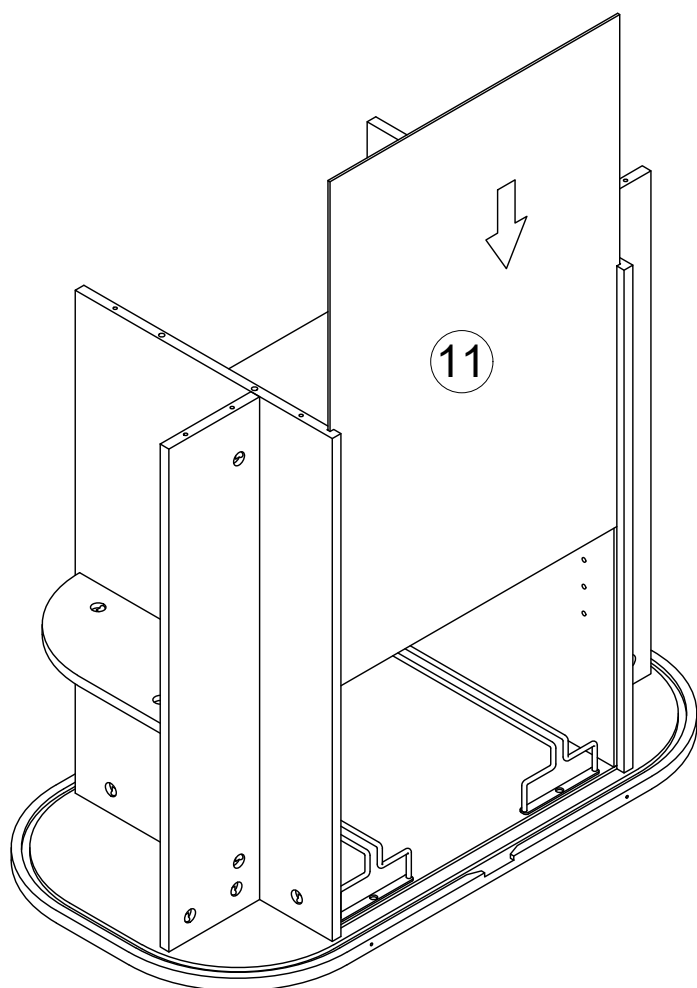
A	x8	E	x4	L	x1	J	x1
Ø6x35mm		M6x12mm				M4	

8



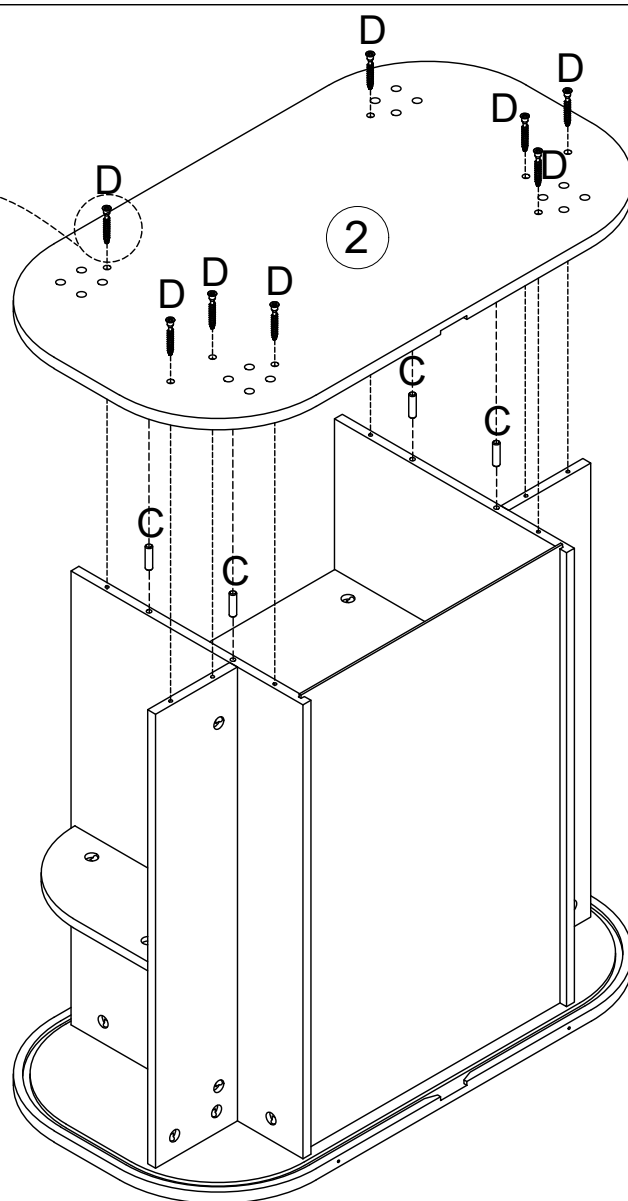
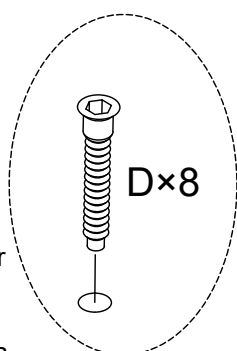
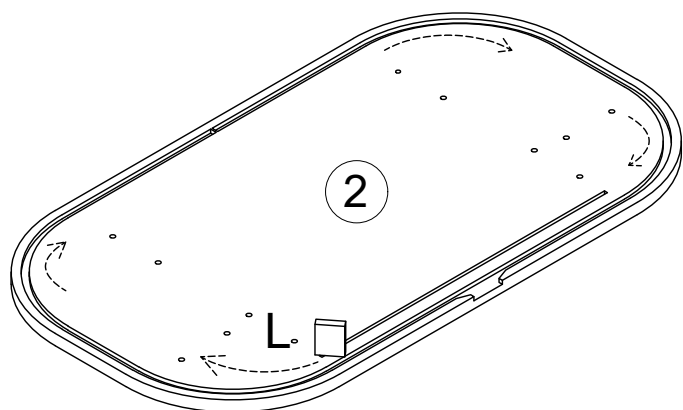
B	x8	C	x4
Ø15x9mm		Ø6x30mm	

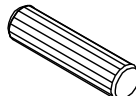
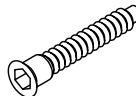
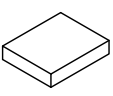
9



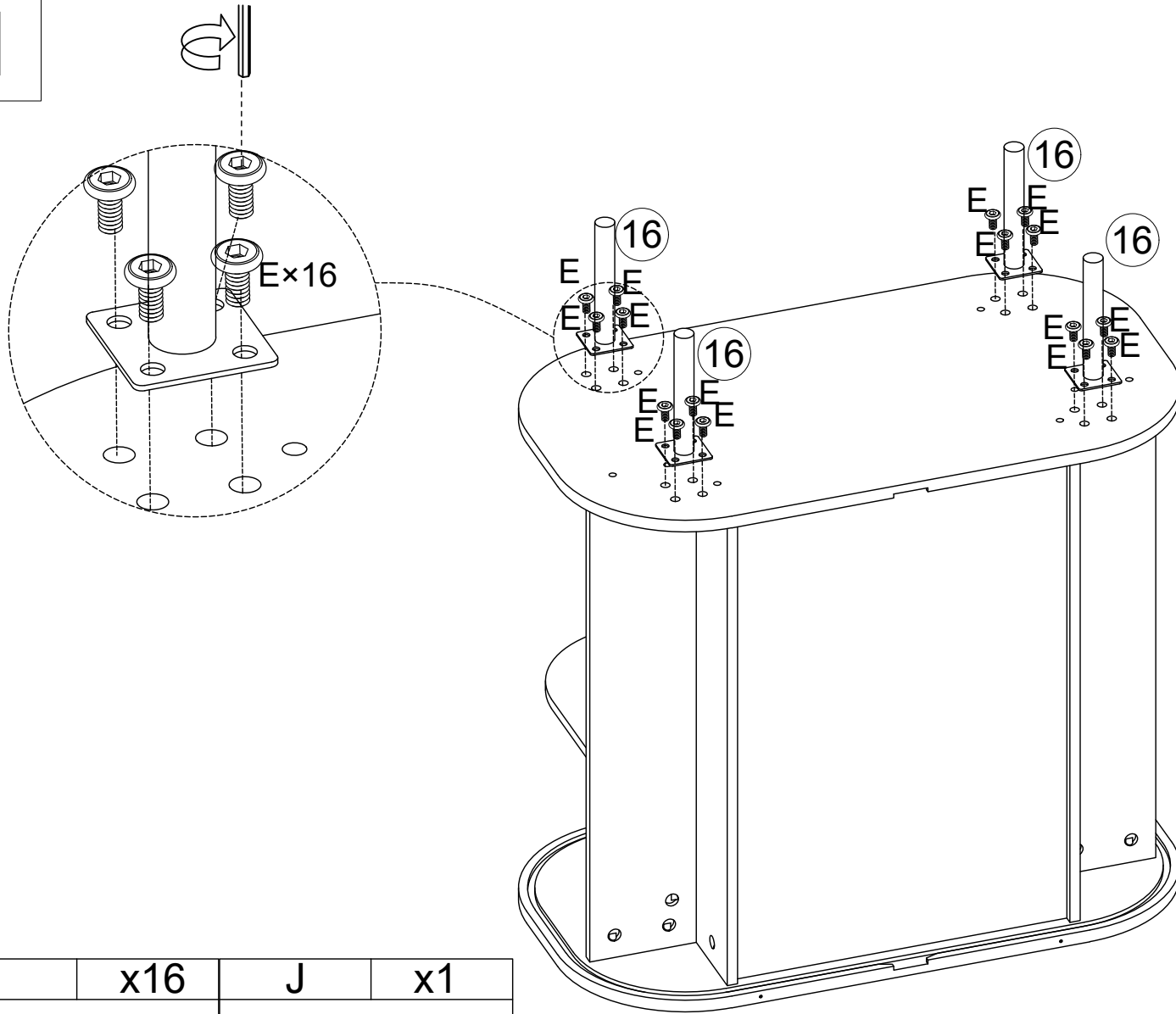
10

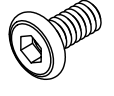

- DE: Wenn der Boden uneben ist, passen Sie die Einstellfußpolster
- UK: Lubricate the sliding groove with a wax block.
- FR: Lubrifiez la rainure coulissante avec un bloc de cire.
- IT: Lubrificare la scanalatura scorrevole con un blocchetto di cera.
- ES: Lubrique la ranura deslizante con un bloque de cera.
- NL: Smeer de schuifgroef in met een wasblok.
- SE: Smörj glidspåret med ett vaxblock.
- PL: Nasmaruj rowek ślizgowy blokiem wosku.



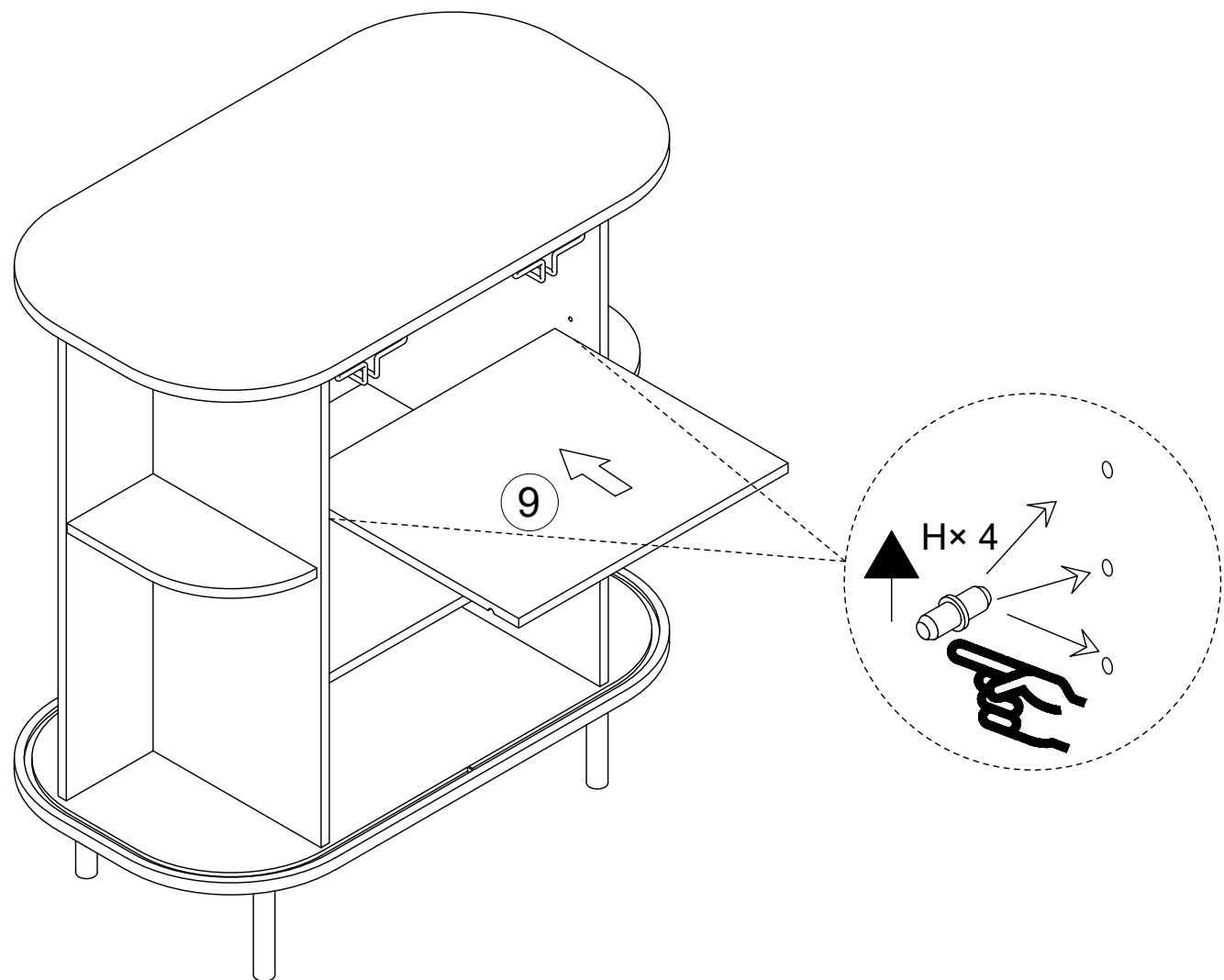
C	x4	D	x8	L	x1
					
Ø6x30mm		Ø5x38mm			

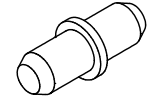
11



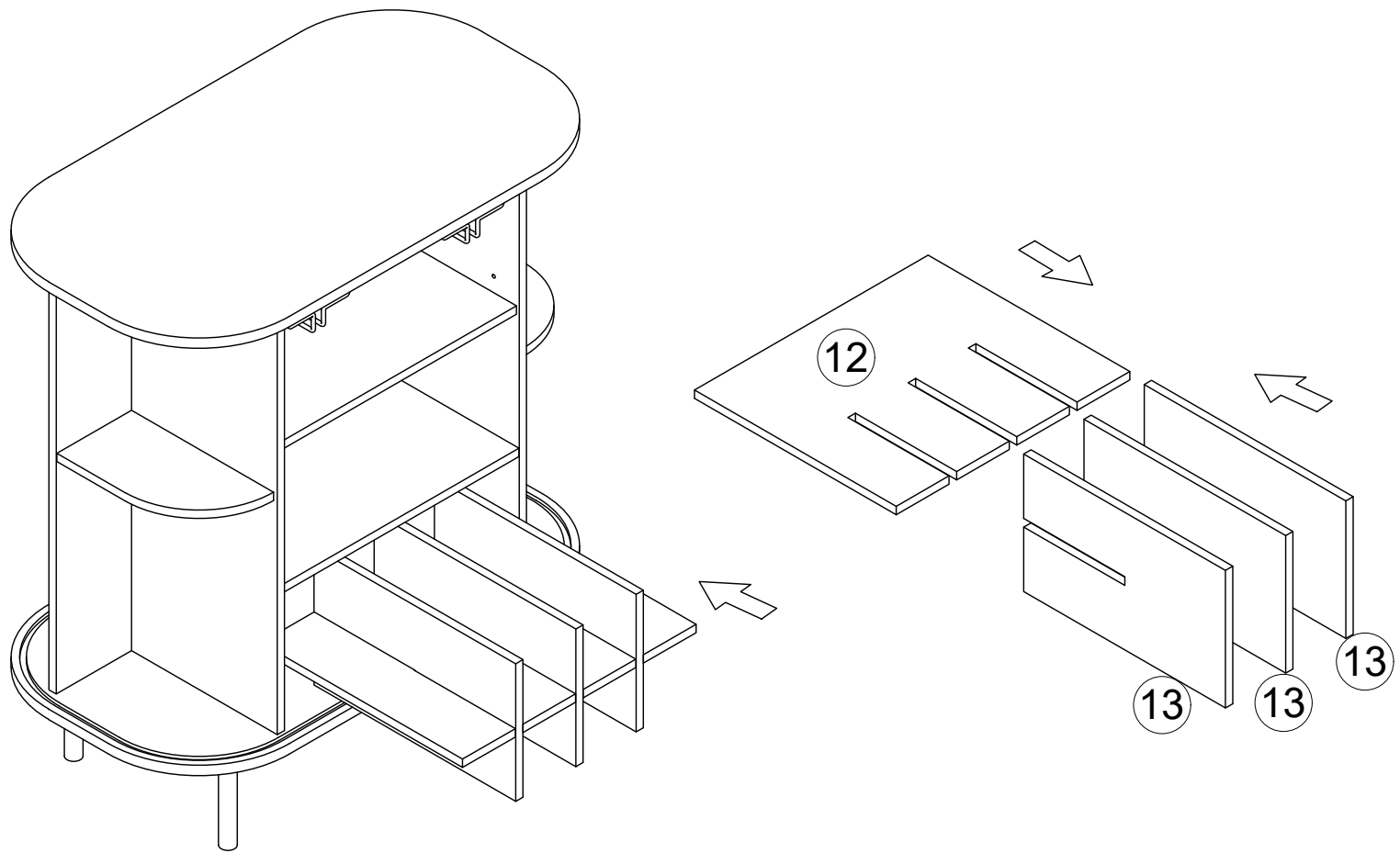
E	x16	J	x1
			
M6x12mm		M4	

12

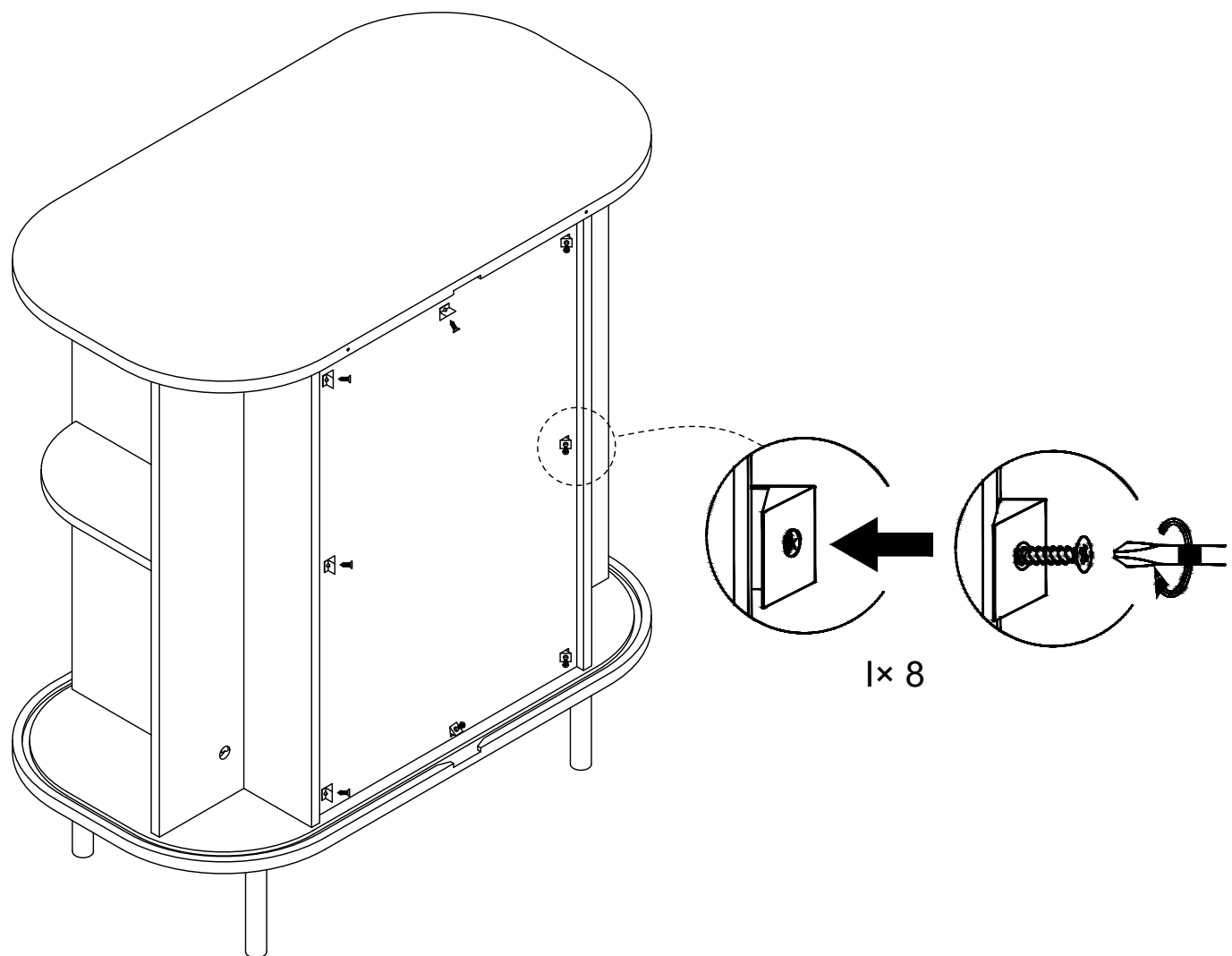


H	x4
	
Ø5x13.5mm	

13

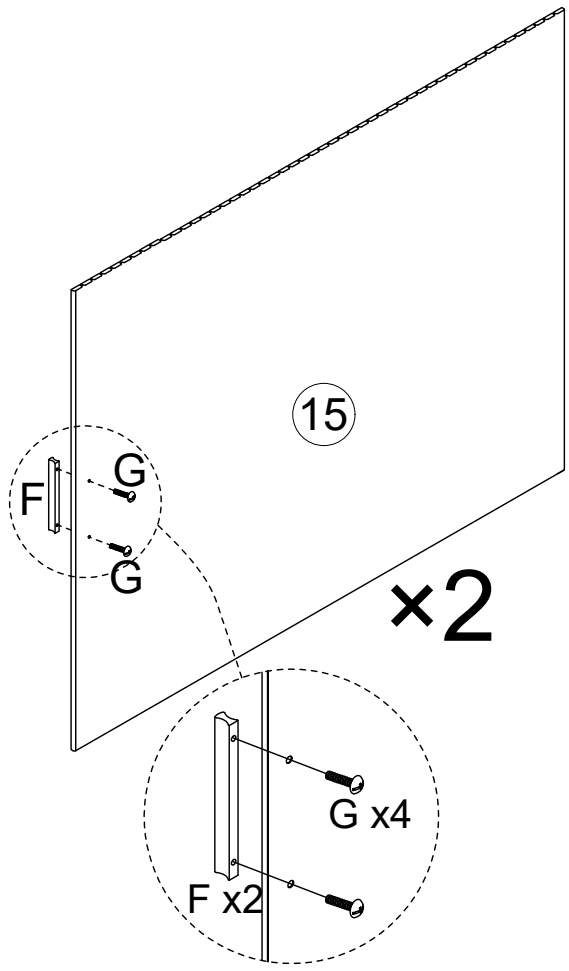


14

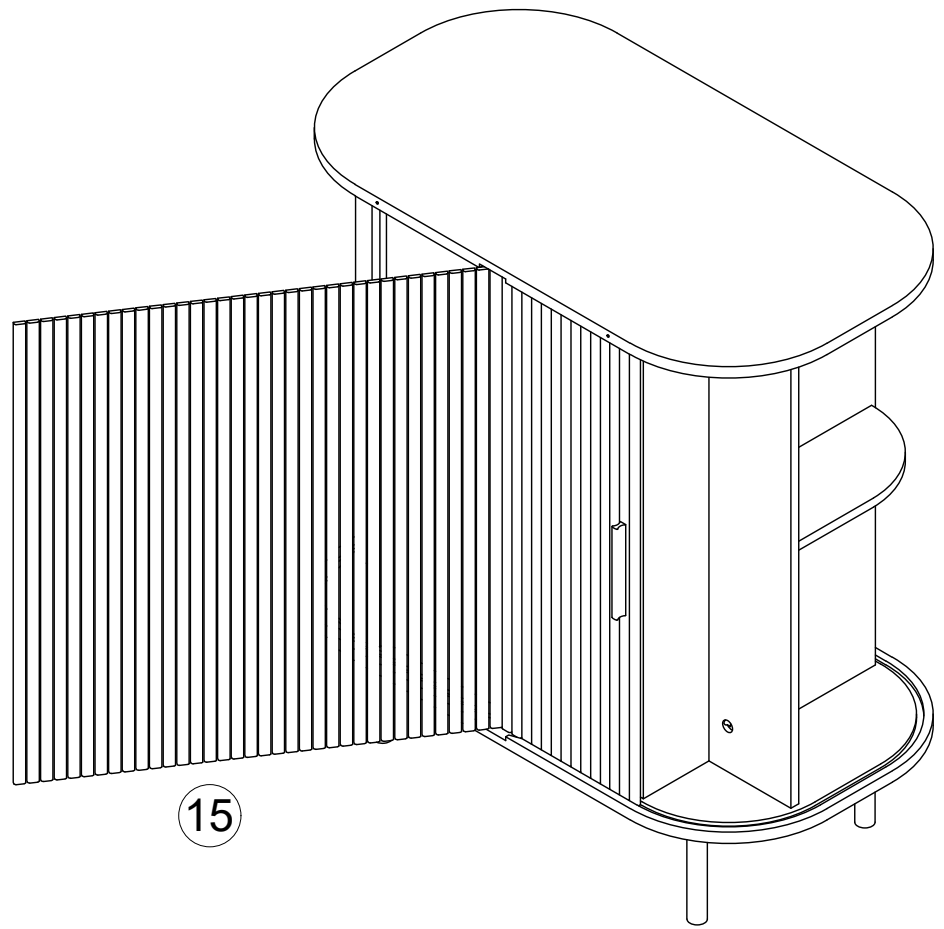




1	x8

15

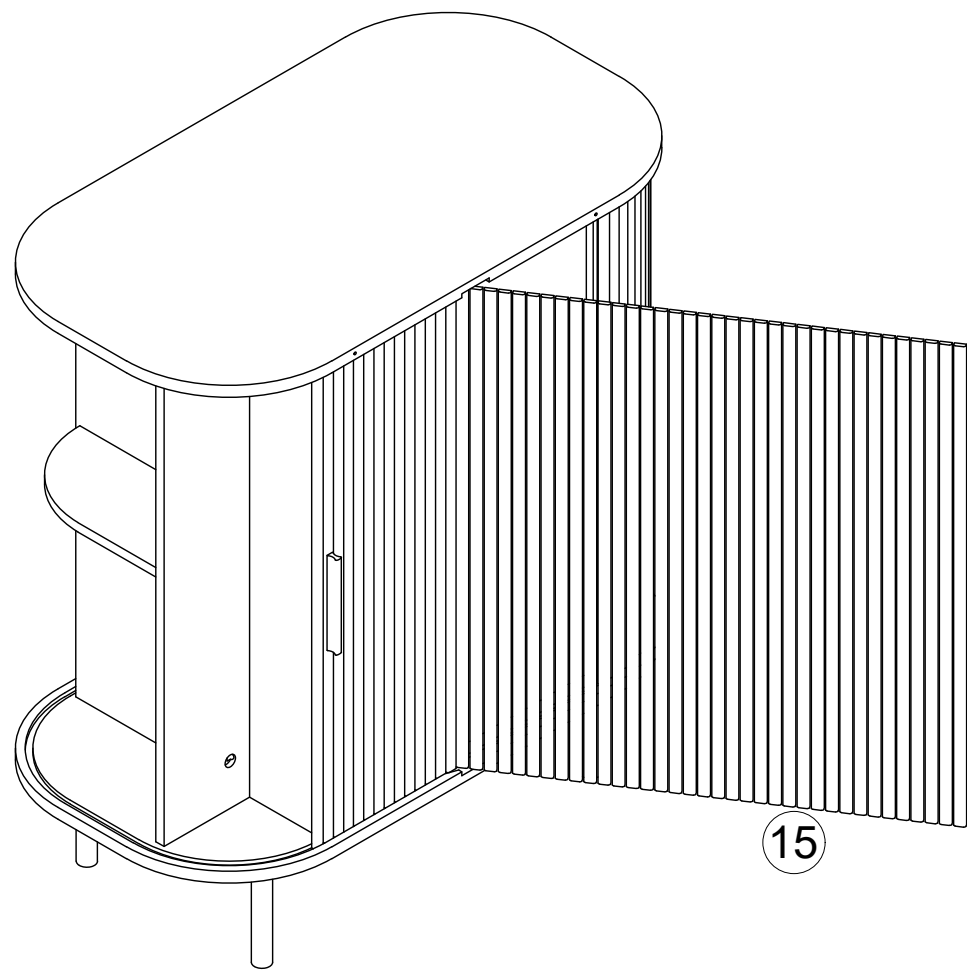


x2

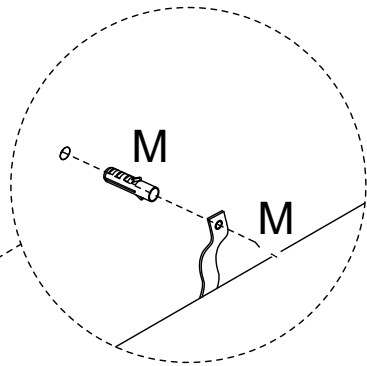
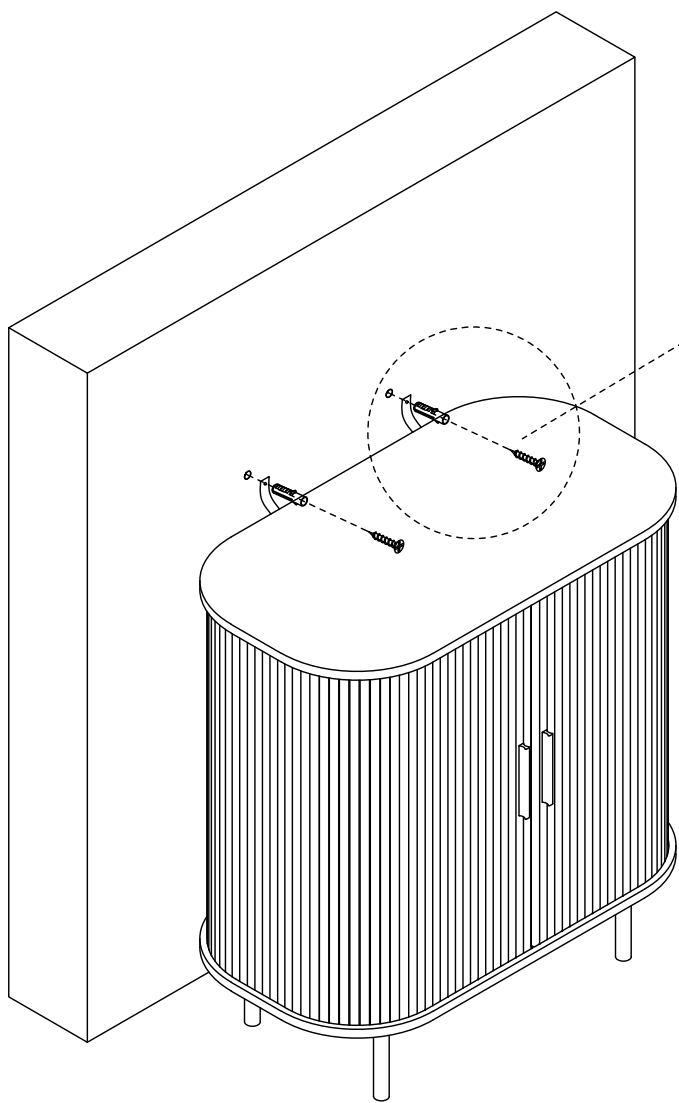
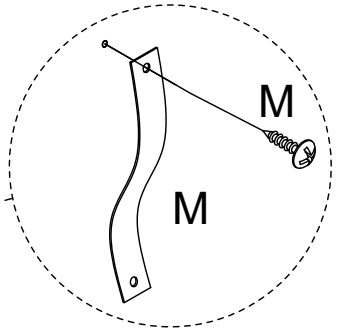
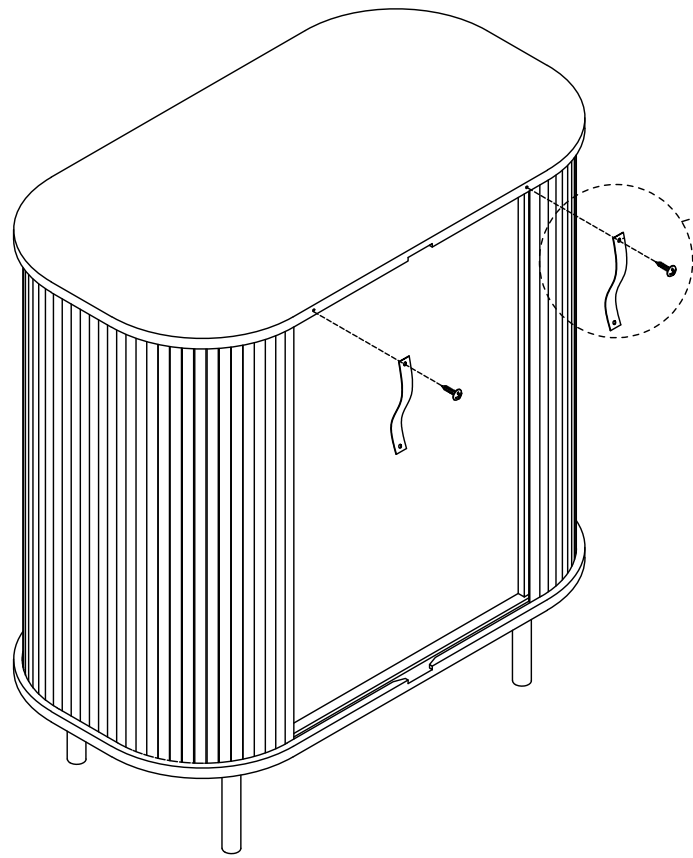


F	x2	G	x4
			
		M4x8mm	

16



17



M	x2