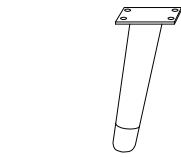
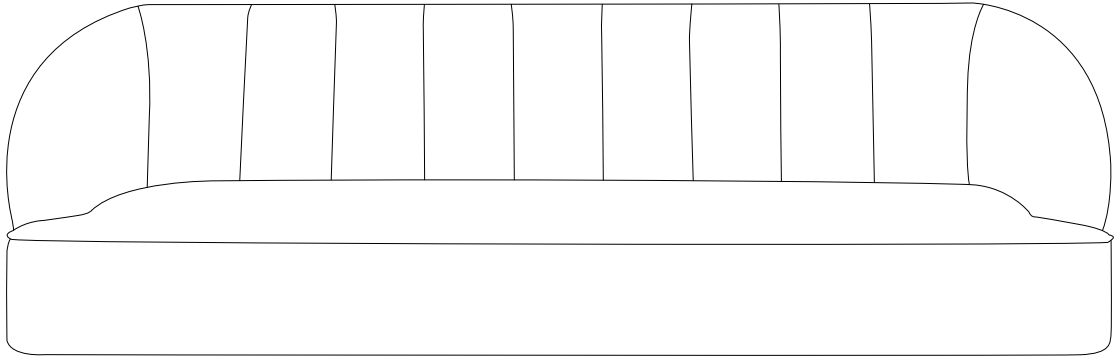


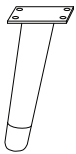
Diagram illustrating assembly instructions and safety warnings:

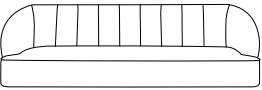



- Top Section:** Shows an L-shaped metal bracket and a power drill with a diagonal line through it, indicating that a power drill should not be used. A warning triangle with an exclamation mark is positioned to the right.
- Bottom Section:** Shows a rectangular block being placed on a surface and another block being secured with a screw. A warning triangle with an exclamation mark is positioned to the right.
- Time:** A clock icon is shown next to the text "20'", indicating an estimated assembly time of 20 minutes.
- Person:** A stick figure icon is shown next to the number "1", indicating that one person is required for assembly.

A

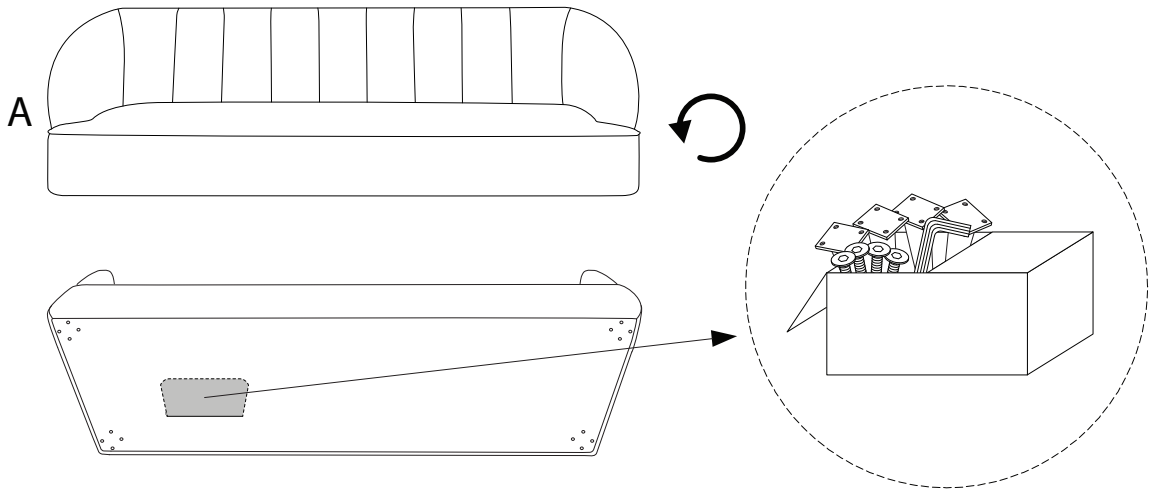


B x 4



| A | B | C | D |
|---|---|---|--|
|  |  |  |  M8 x 20 |
| x 1 | x 4 | x 1 | x 16 |

!



1

