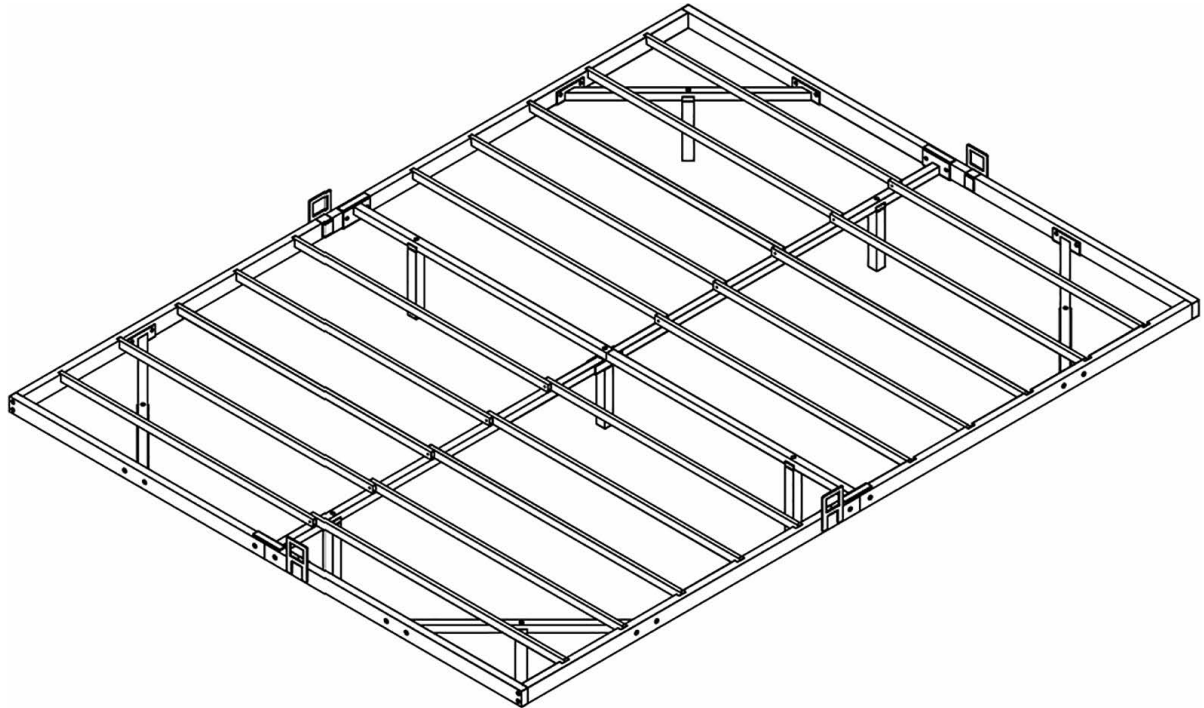
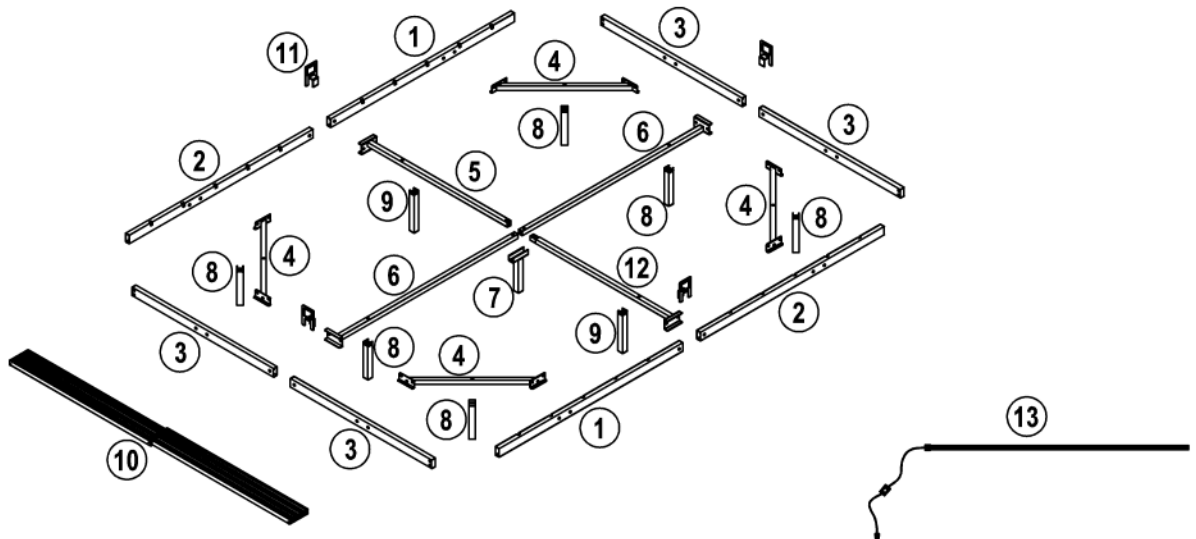


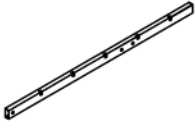
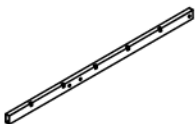
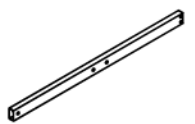








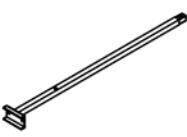
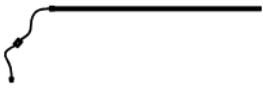
Installation & Assembly

Assembly Instructions – Please keep for future reference










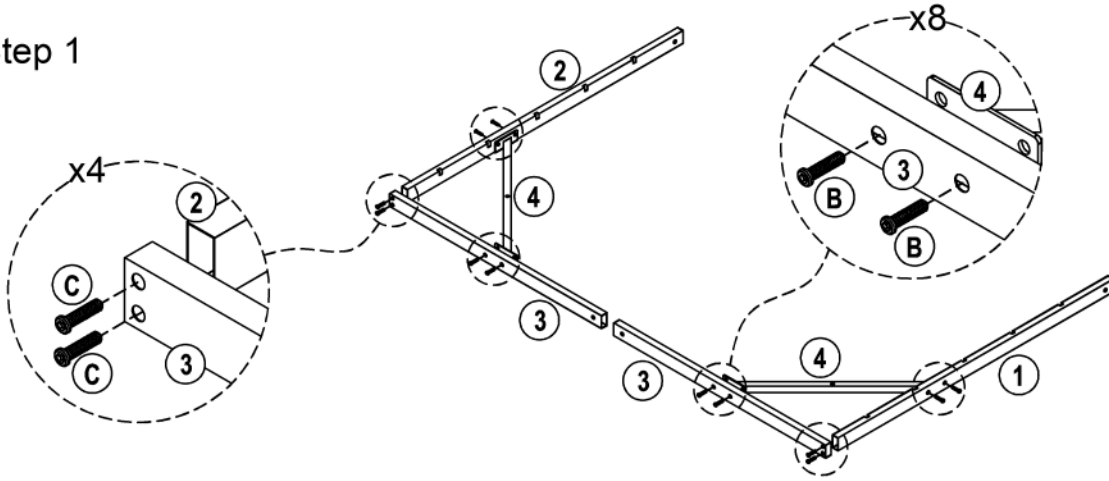
Components

 2pcs	 2pcs	 4pcs	 4pcs	 1pc
 2pcs	 1pc	 6pcs	 2pcs	 10pcs
 4pcs	 1pc	 1pc		

Hardware

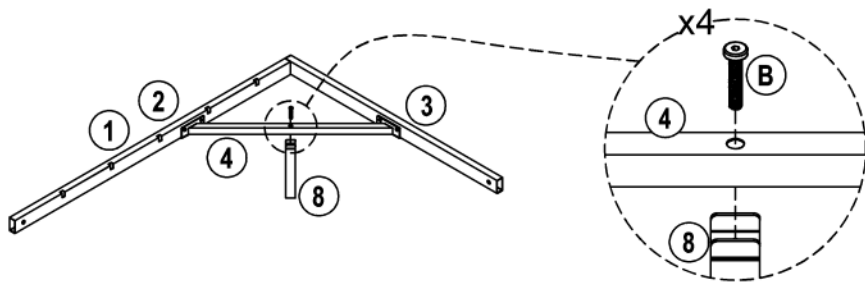
 1pc	 34pcs	 8pcs	 1pc	 10pcs
--	--	---	--	--

Step 1



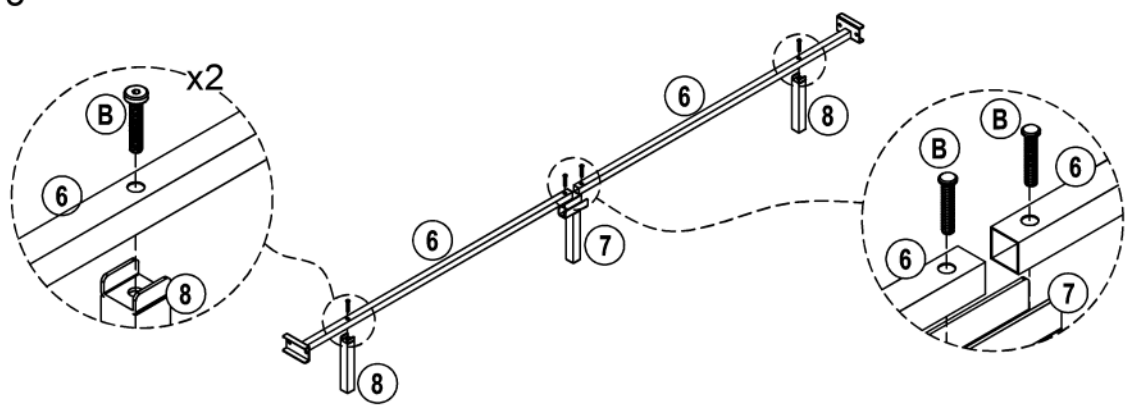
(B) 16pcs
(C) 8pcs

Step 2



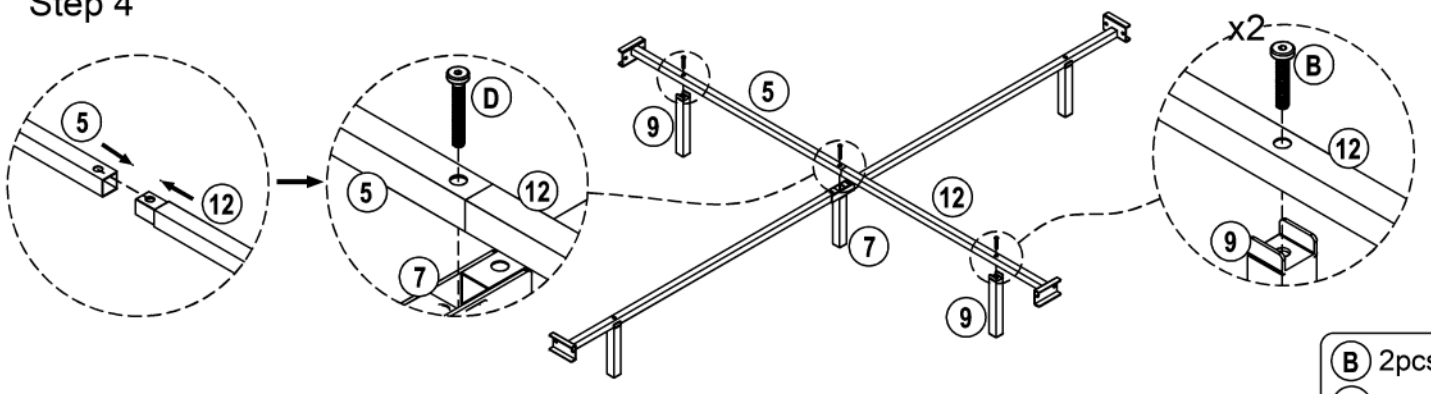
(B) 4pcs

Step 3



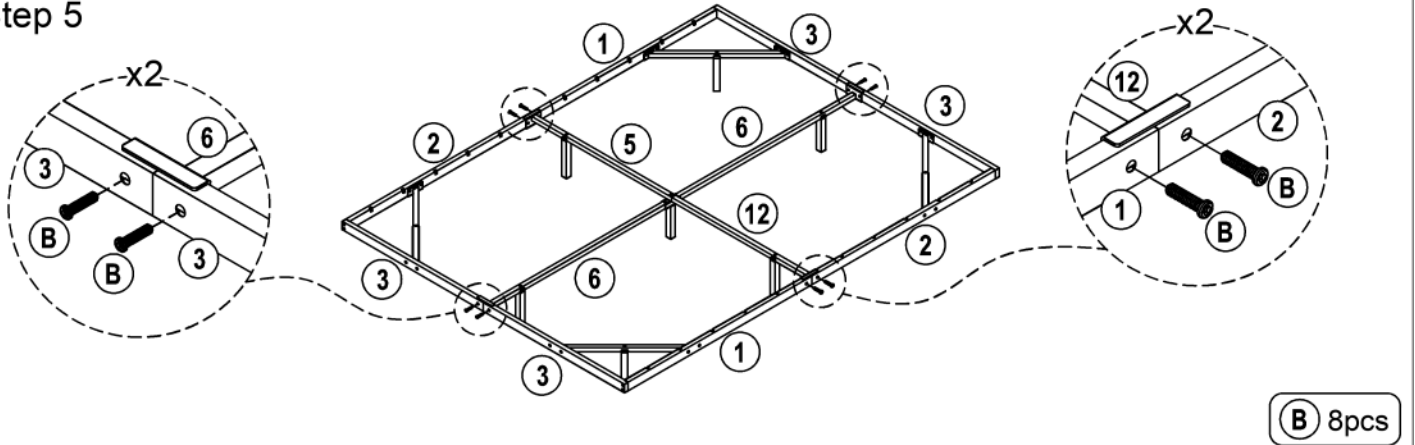
(B) 4pcs

Step 4

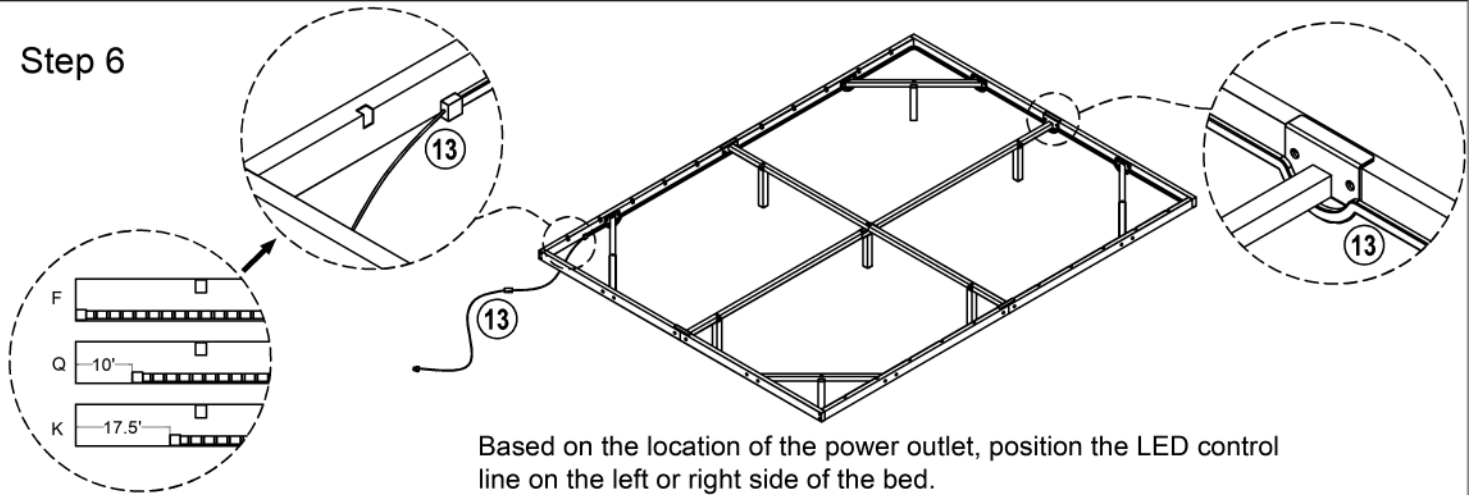


(B) 2pcs
(D) 1pc

Step 5

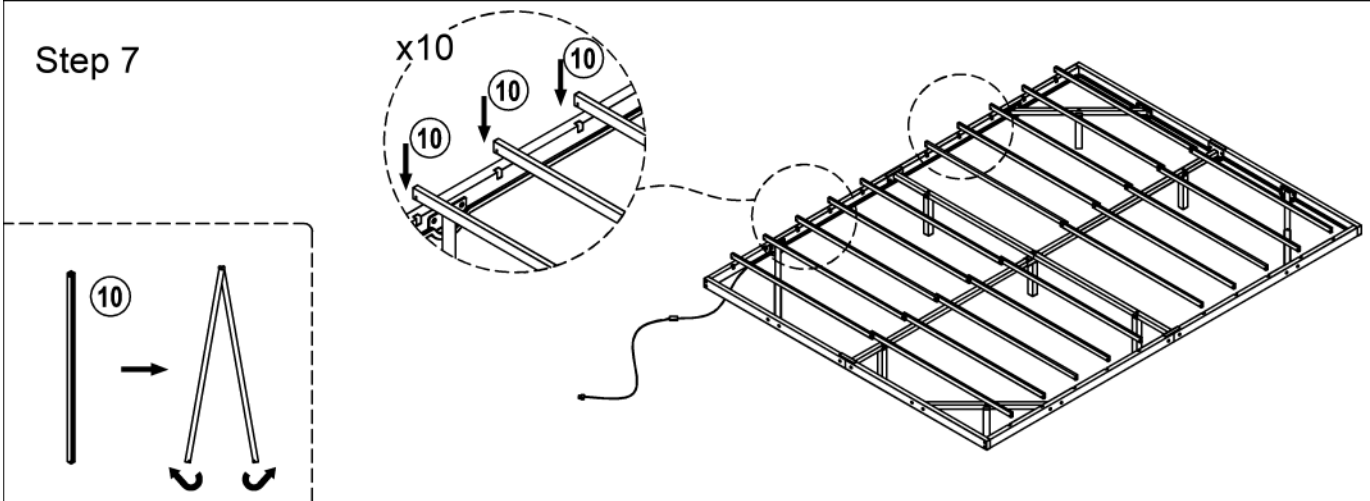


Step 6

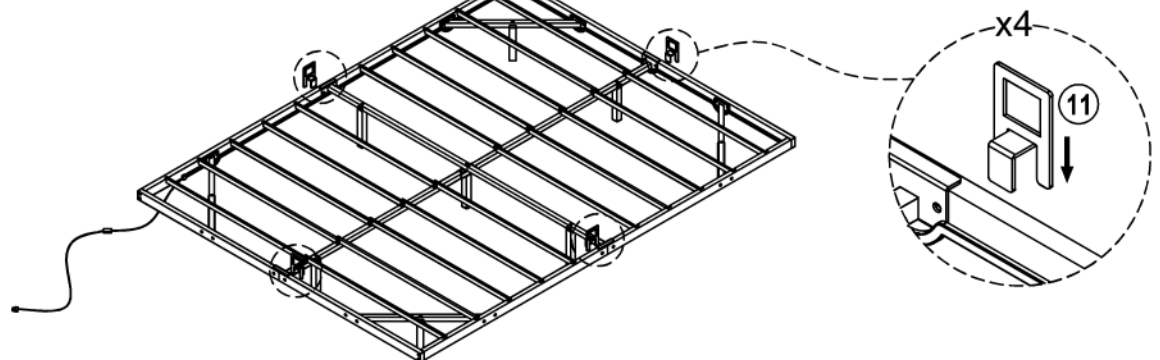


Based on the location of the power outlet, position the LED control line on the left or right side of the bed.

Step 7



Step 8



Optional: Secure the LED light strip using cable ties