

Per Seat Weight Limitation

110 LBS

Thank You For Choosing Our Furniture

▀ If you have any questions or concerns,
don't hesitate to reach out to us. ▀

NOTE:






This brochure contains
IMPORTANT safety info.
Please read and keep it
for future reference.

MAINTAINANCE AND WARNINGS



Before You Start

Please follow the steps below:

-  Check the packaging for any damage, deformation, or water stains. If there is significant damage, please contact us promptly.
-  Open the packaging and confirm that the panels, hardware, screws, etc are complete.
-  Please read the installation instructions carefully to understand the installation steps and precautions to ensure proper installation.
-  Clean the installation area in advance and ensure the ground is level and there is enough space to avoid damaging the furniture or making installation difficult.
-  Lay a protective mat on the ground to prevent scratching the floor during installation.

After-Sales Service

- If you encounter any issues or need technical support during use, please contact our after-sales team. We offer long-term maintenance and warranty services.



Precautions

- ⚠ This product for indoor use only. Do not expose it to outdoor elements or high-humidity environments.
- ⚠ Keep the product away from high heat or open flames to prevent fire hazards.
- ⚠ Do not allow children to climb on the product to prevent personal injury caused by tipping



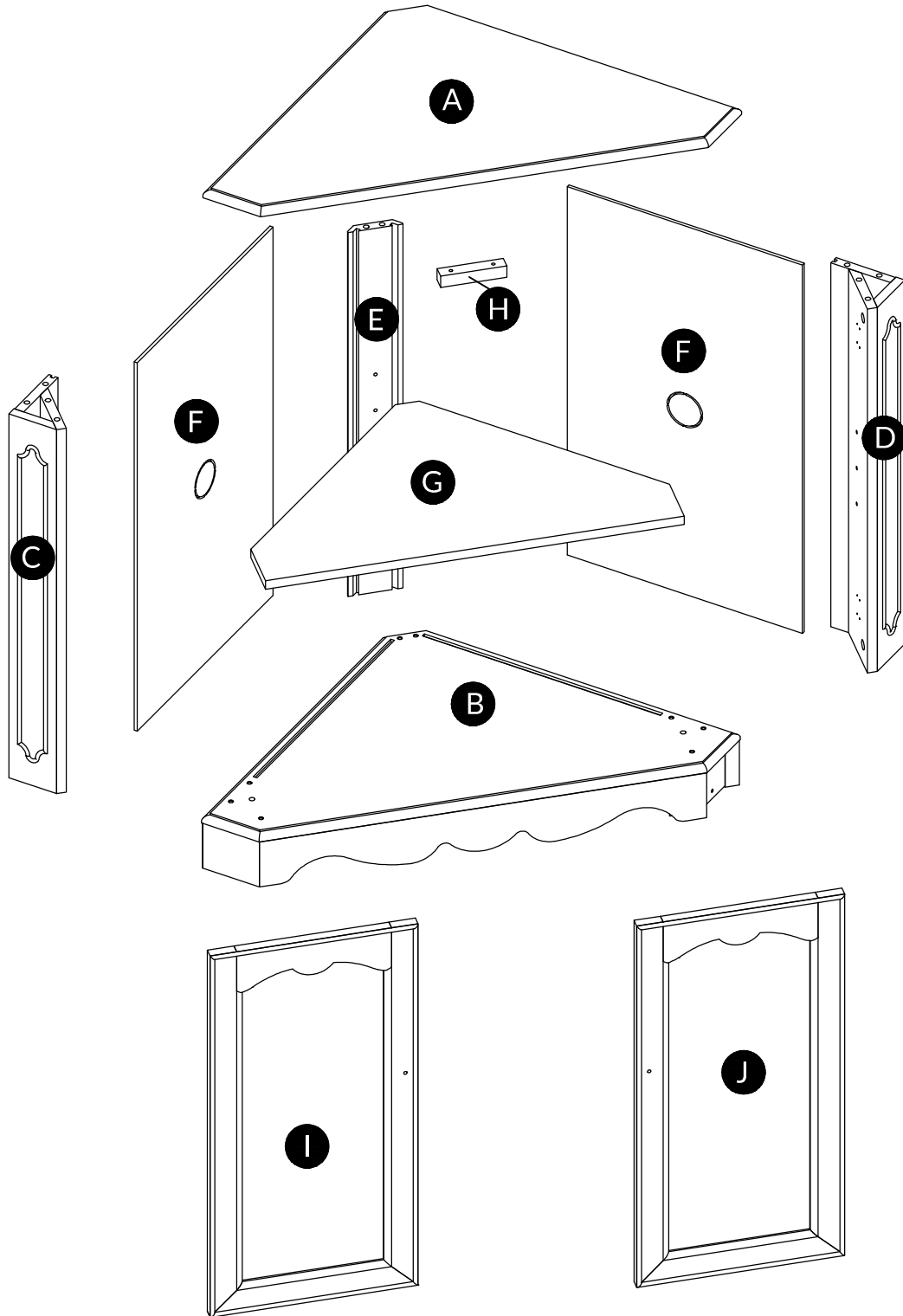
Safety Warnings

- ⚠ If you notice any loose or damaged parts, stop using the product immediately and contact customer service.
- ⚠ Do not attempt to disassemble or replace any components yourself, as this may affect the stability and safety of the product.

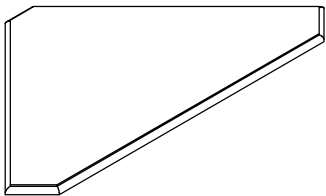
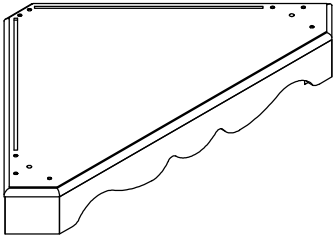
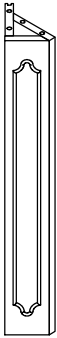
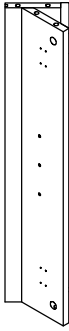


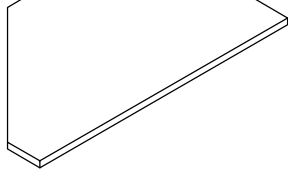
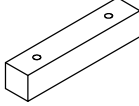
Daily Maintenance

- Regularly clean the surface of the sofa with a soft cloth to prevent dust accumulation.
- Do not use cleaning agents containing acids, alkalis, or corrosive substances, as they may damage the surface. It is recommended to use neutral cleaning agents or specialized furniture cleaners
- Avoid exposing furniture to humid environments for extended periods to prevent swelling or deformation of the boards. Use a dehumidifier or desiccant during humid weather.
- Avoid direct contact of furniture with water. If water is accidentally spilled, wipe it dry immediately.
- Avoid placing excessively heavy objects on the furniture: ensure the weight is within a reasonable load-bearing range.
- Avoid using sharp or rough items on the furniture surface to prevent scratches, Handle items gently when moving them

Explosive view



Parts list

<p>A</p>  <p>x1</p>	<p>B</p>  <p>x1</p>
<p>C</p>  <p>x1</p>	<p>D</p>  <p>x1</p>
<p>E</p>  <p>x1</p>	<p>F</p>  <p>x2</p>
<p>G</p>  <p>x1</p>	<p>H</p>  <p>x1</p>



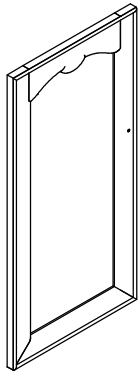
Installation:
30minutes.



Two Person

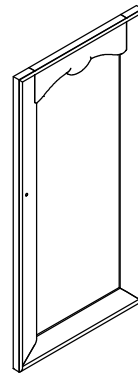
Parts list

I



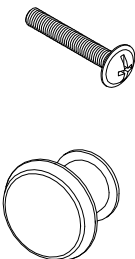
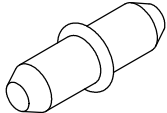
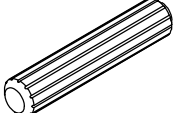


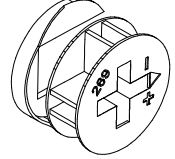
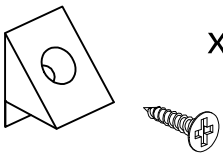
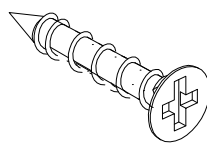
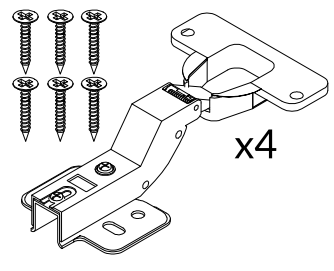
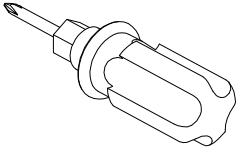
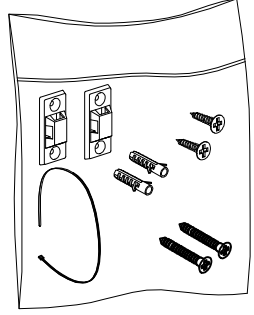
x1

J



x1

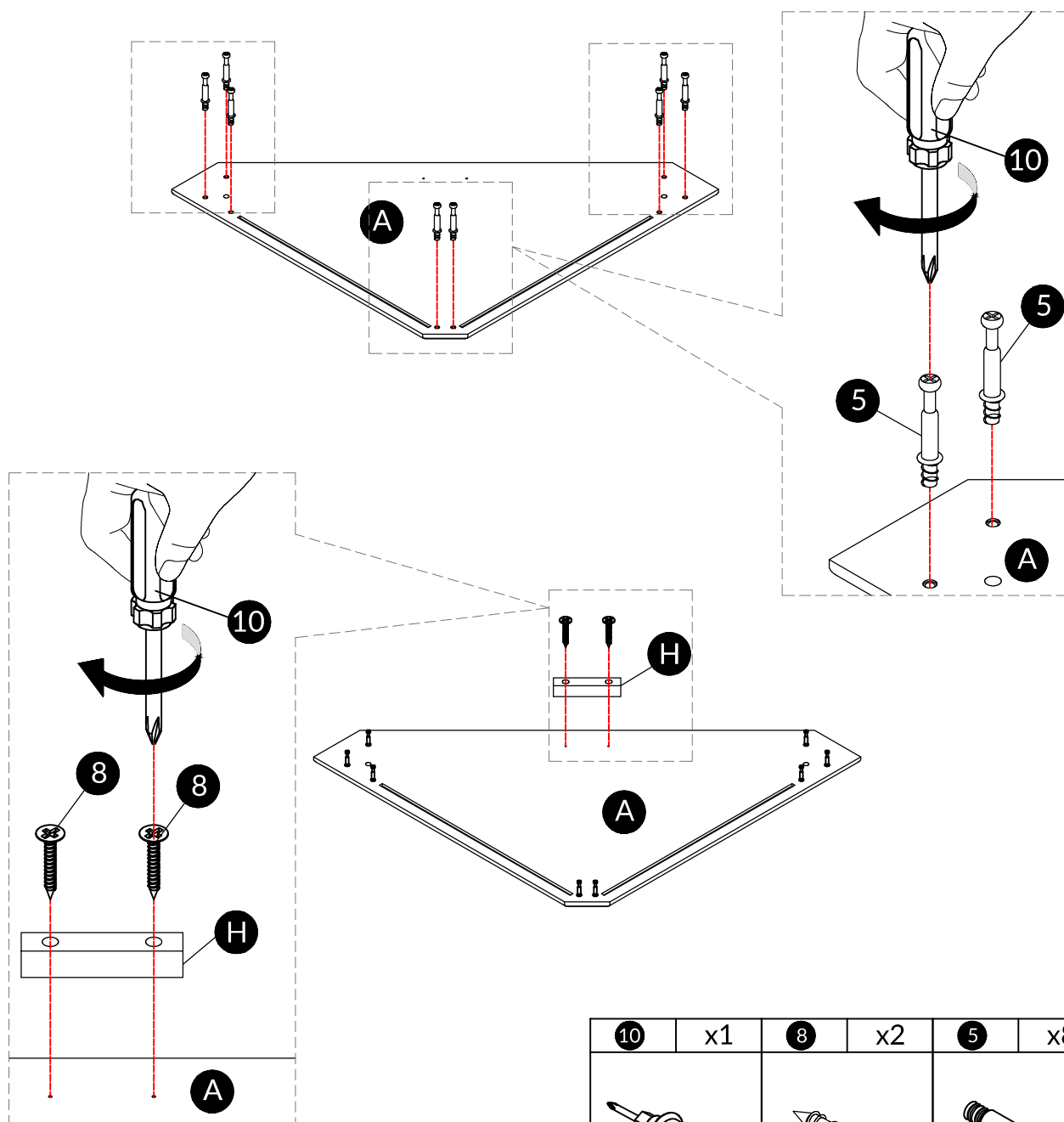
Hardware List

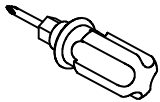
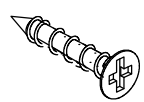
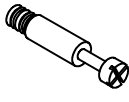
<p>1</p>  <p>x2</p>	<p>2</p>  <p>x3+1</p>	<p>3</p>  <p>x4+1</p> <p>8x30mm</p>
<p>4</p>  <p>x16+1</p> <p>φ21</p>	<p>5</p>  <p>x16+1</p> <p>Ø6x35mm</p>	<p>6</p>  <p>x16+1</p> <p>Ø15x11mm</p>
<p>7</p>  <p>x8+1</p>	<p>8</p>  <p>x2+1</p> <p>#8x1"</p>	<p>9</p>  <p>x4</p>
<p>10</p>  <p>x1</p>	<p>11</p>  <p>x1</p>	

Step 1

1. Insert bolt #5 into the corresponding hole of top panel (A), tighten bolt #5 with screwdriver #10.

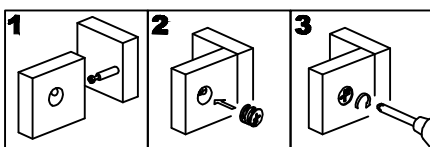
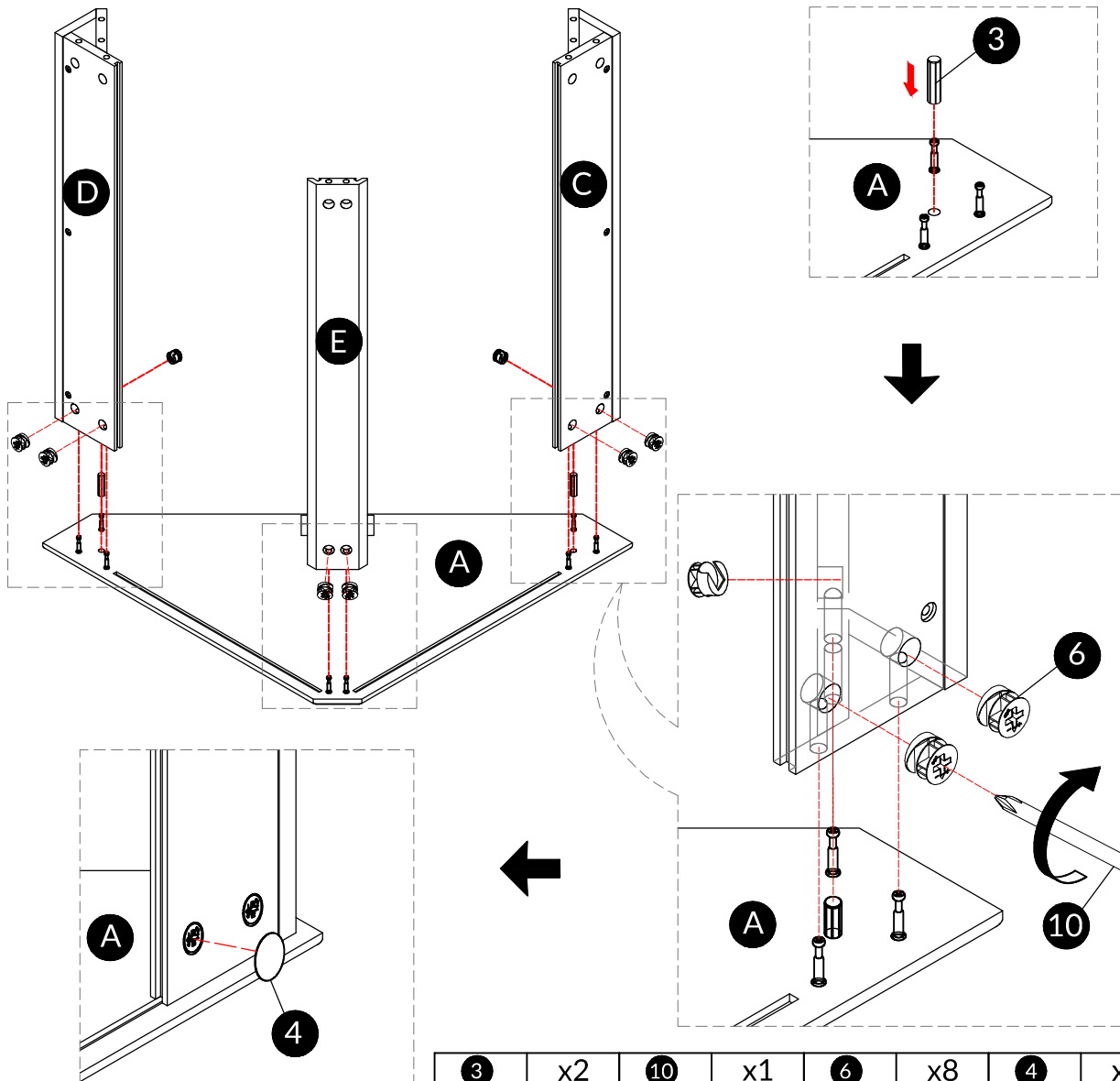
2. Use screw #8 to attach part (H) to the corresponding hole of top panel (A), tight screw with screwdriver 10.



10	x1	8	x2	5	x8
					
		#8x1"		Ø6x35mm	

Step 2

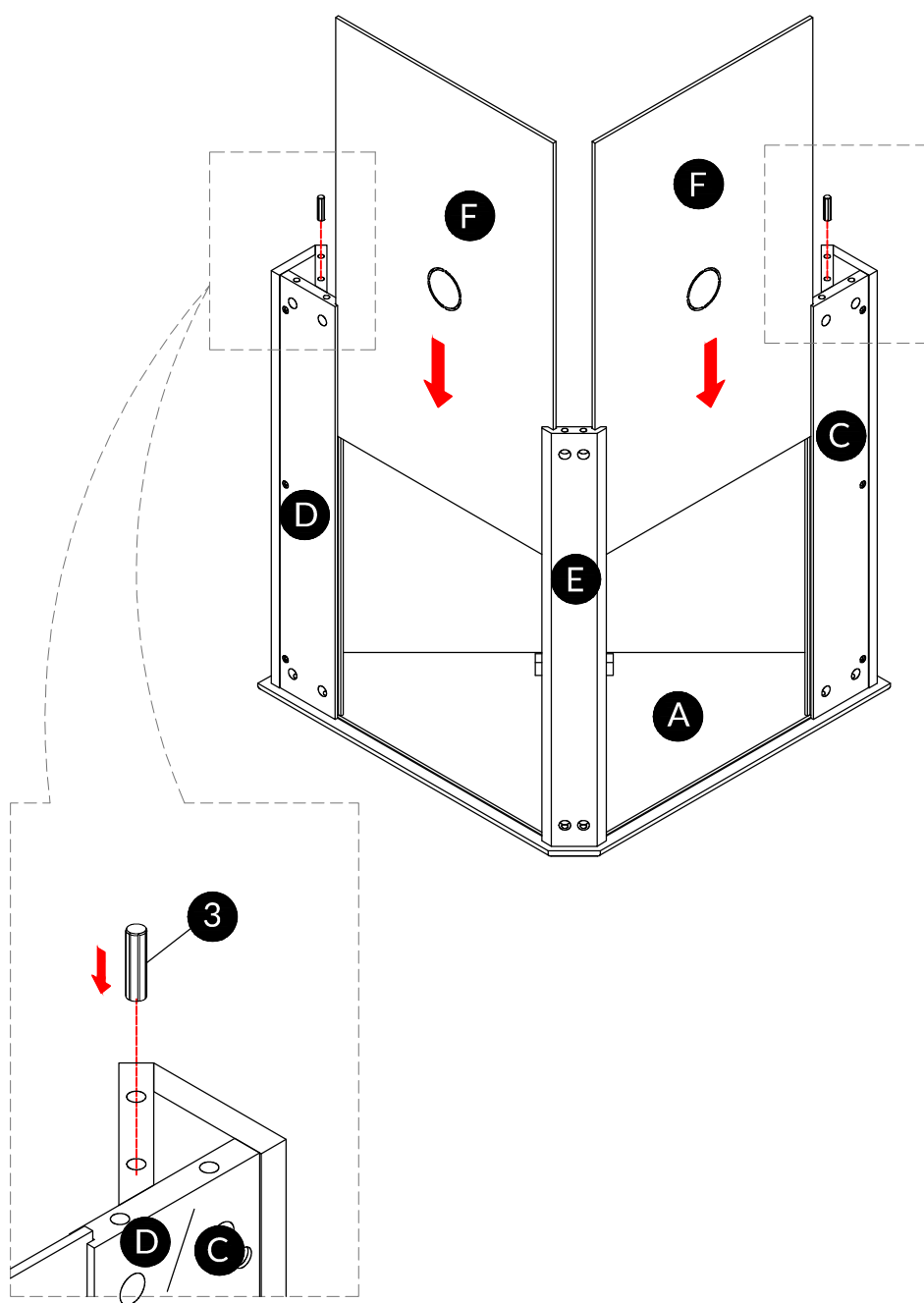
1. Insert wooden dowel #3 into the corresponding hole of panel (A)
2. Insert the panels (D & C & E) into the side panels (A), make sure all holes aligned and insert cam bolt #6 into the corresponding hole of panel (D & C & E), tighten cam bolt #4 with screwdriver #10, Cover the two screw holes in the (D & C & E) side panel with lap tape # 4.

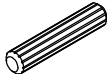


3	x2	10	x1	6	x8	4	x8
8x30mm				#8x1"		Ø6x35mm	

Step 3

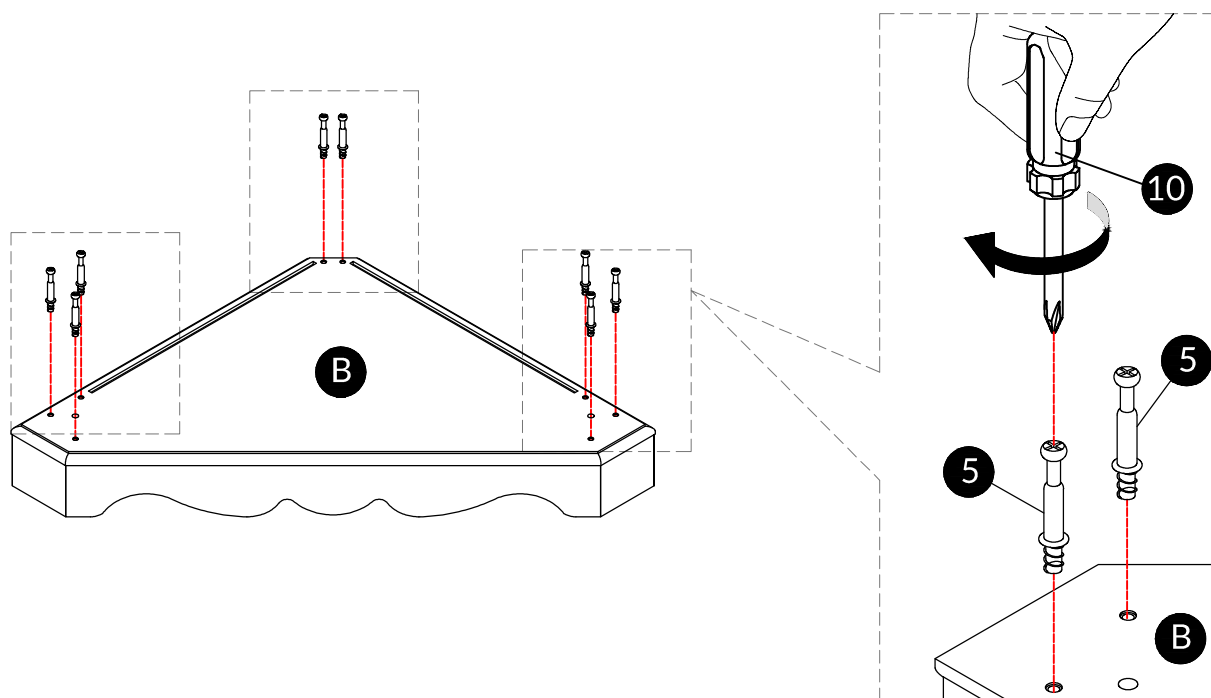
1. Carefully align and slide panel (F) into the groove along rear edge of pre-assemble step 2.
2. Insert wooden dowel #3 into the corresponding hole of panel (C & D)

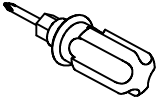
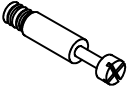


3	x2
	
8x30mm	

Step 4

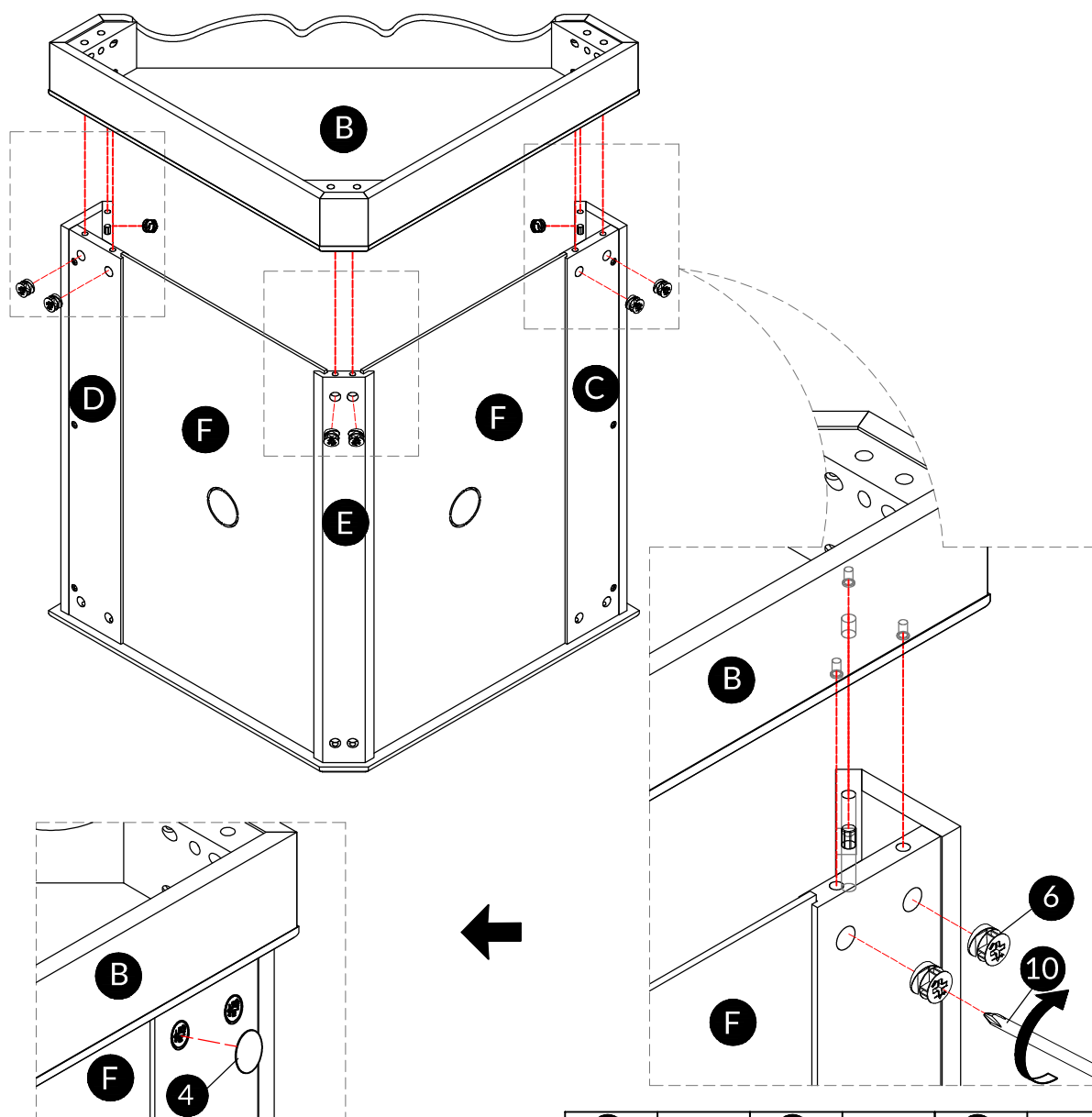
Insert bolt #5 into the corresponding hole of top panel (B), tighten bolt #5 with screwdriver #10.

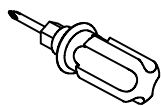




10	x1	5	x8
			
		Ø6x35mm	

Step 5

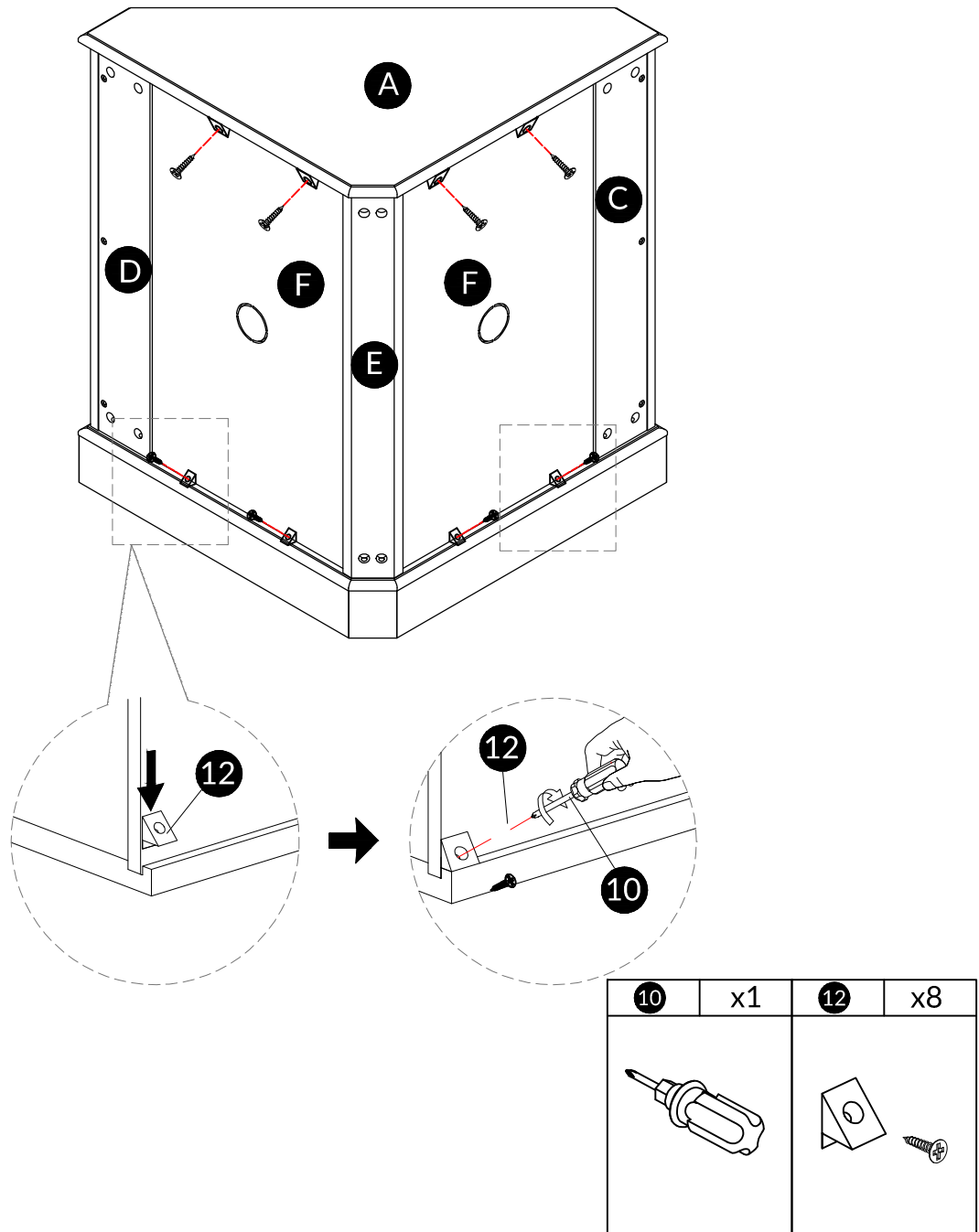
Insert the panels (D&C&E) into the side panels (B), make sure all holes aligned and insert cam bolt #6 into the corresponding hole of panel (D&C&E), tighten cam bolt #4 with screwdriver #10, Cover the two screw holes in the (D&C&E) side panel with lap tape # 4.



10	x1	6	x8	4	x8
					
		#8x1"		Ø6x35mm	

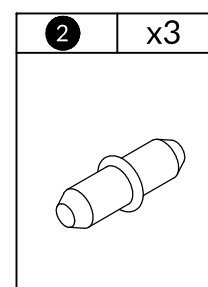
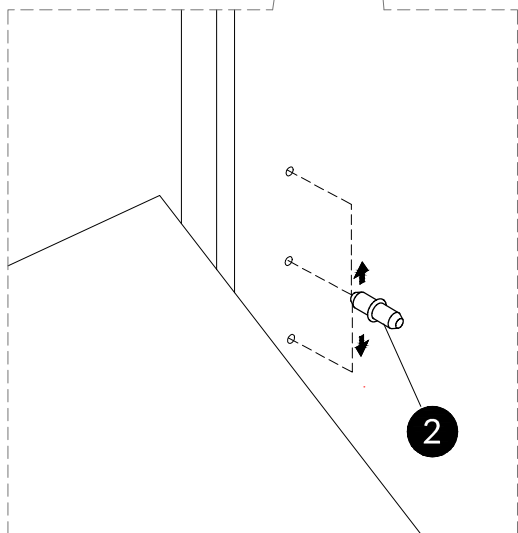
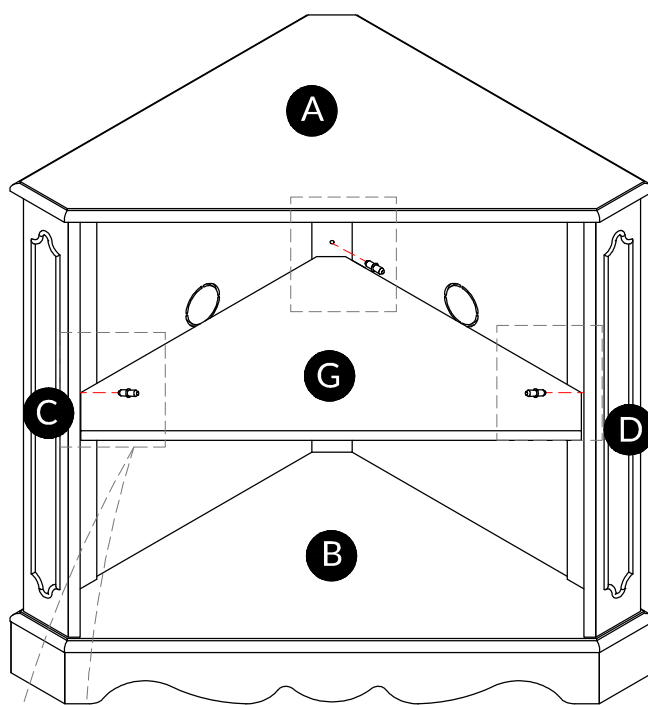
Step 6

Use screw #12 to attach part #12 to bottom panel(A&B),tighten screw #12with screwdriver #10.



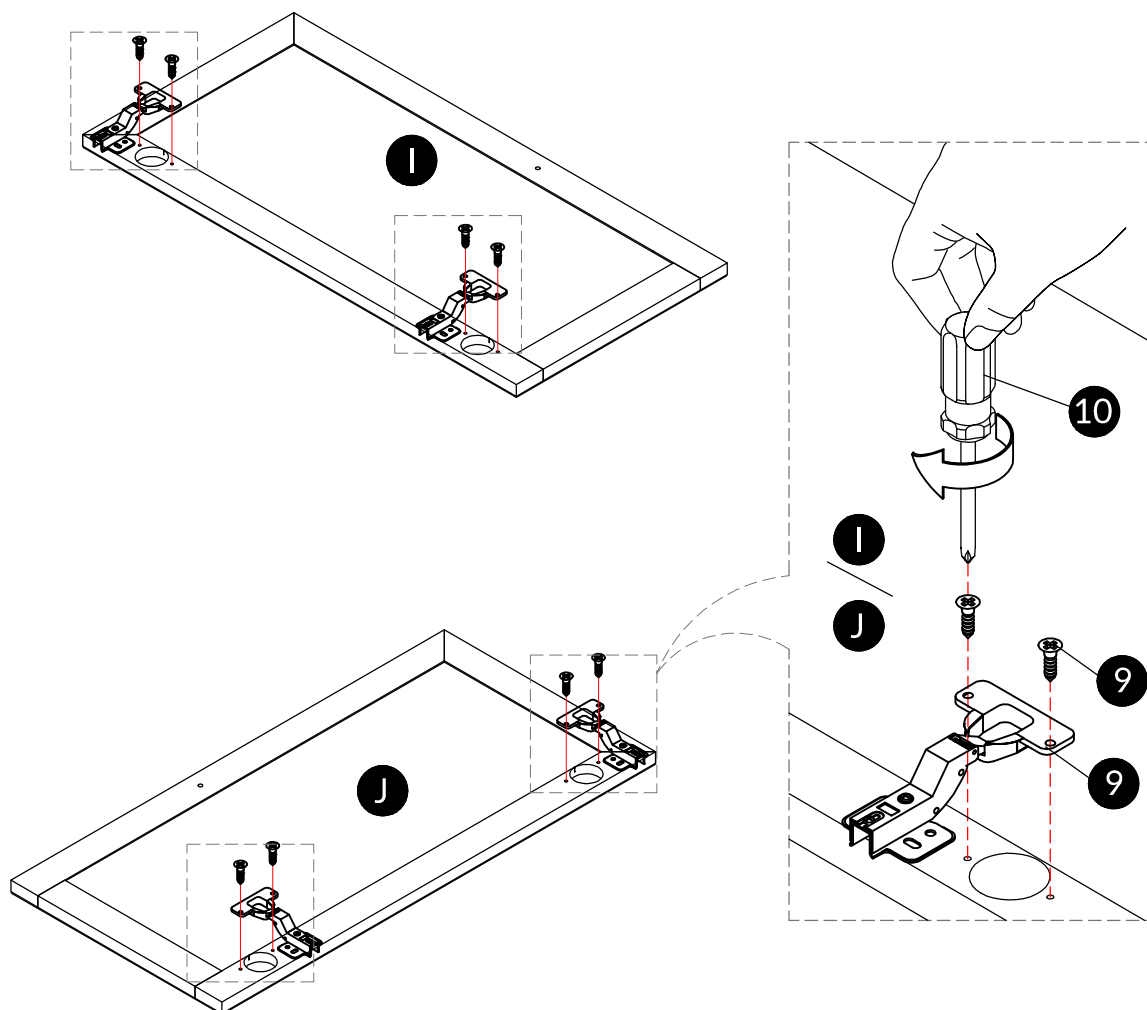
Step 7

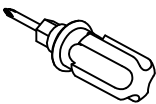
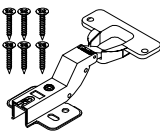
Insert shelf holder #2 into the corresponding hole of panel (C/D/E), make sure shelf holder #2 are level, and then attach panel(G) to it.



Step 8

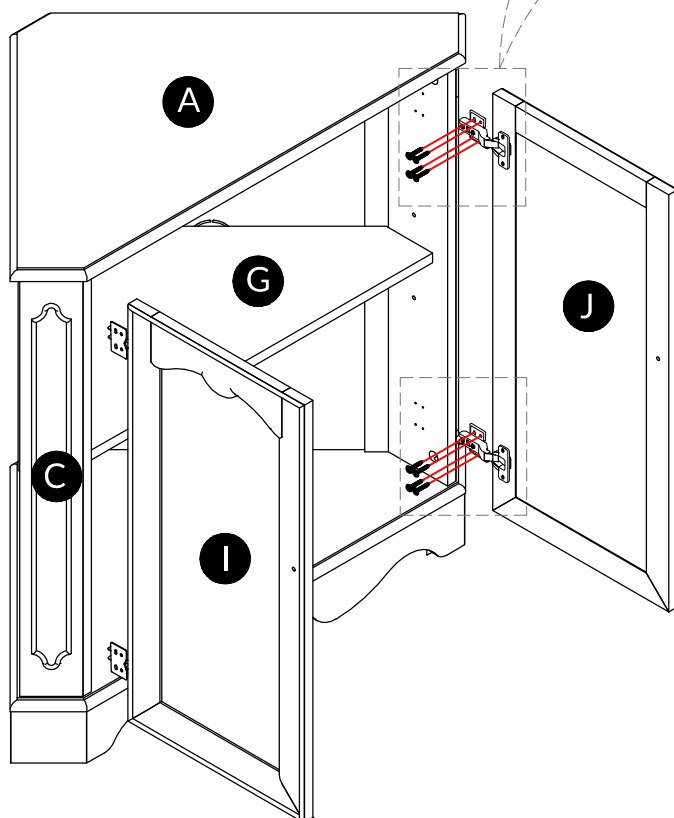
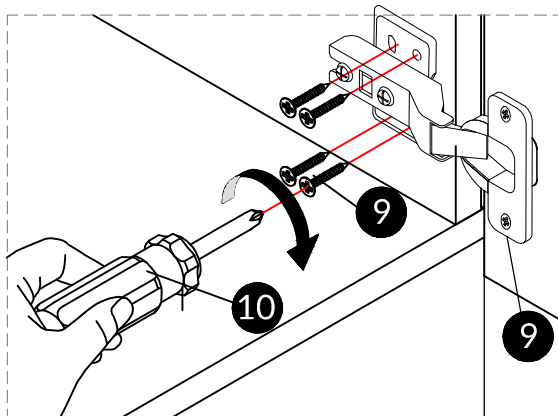
Use screw #9 to attach hinge #9 to door (I&J) , tighten screw #9 with screwdriver #10.

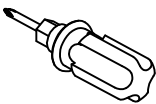
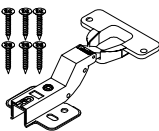


10	x1	9	x4
			

Step 9

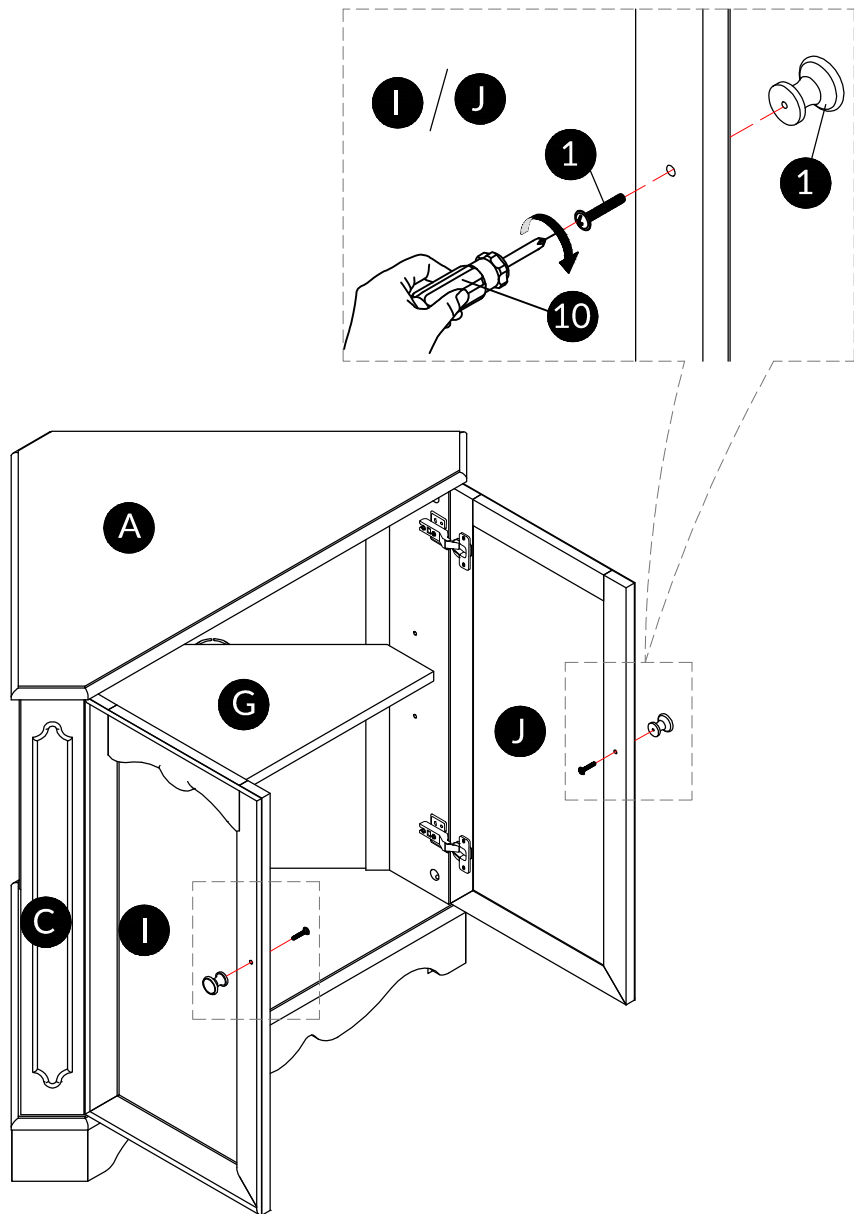
Use screw #9 to attach left door (I) and right door (J) to pre-assemble unit at step 8 ,tighten screw #9 with screwdriver #10 .

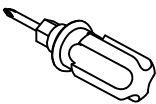




10	x1	9	x4
			

Step 10

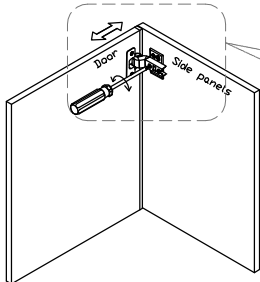
Use screw #1 to attach middle door (I & J) pre-assemble unit at step 9 ,tighten screw #1 with screwdriver #10 .



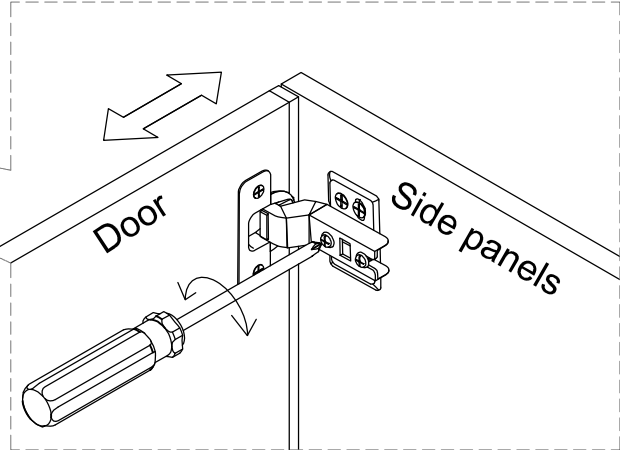
10	x1	1	x2
			
			

Door Hinge Adjustment Instructions

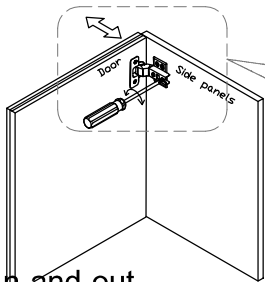
Concealed hinges are three-way adjustable:



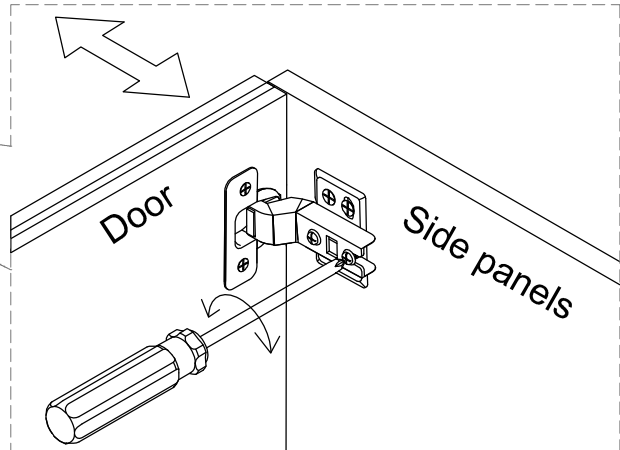
Horizontal
by screw adjustment!



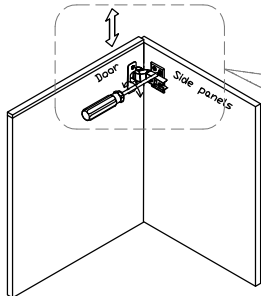
Concealed hinges are three-way adjustable:



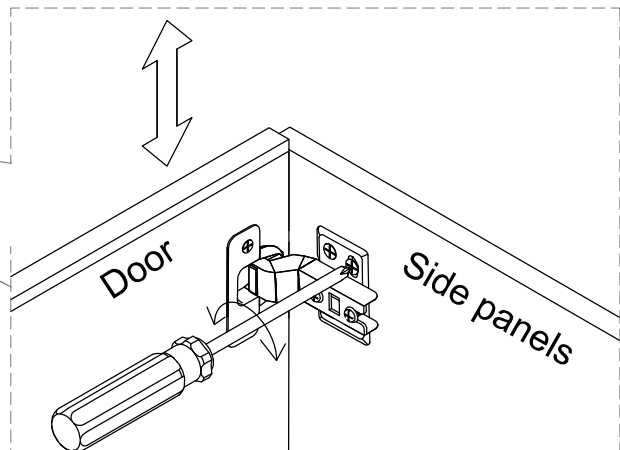
In-and-out
by loosening the hinge arm
mounting screw or via cam
adjustment!



Concealed hinges are three-way adjustable:



Vertical via slots in
the mounting plate
or via cam
adjustment!



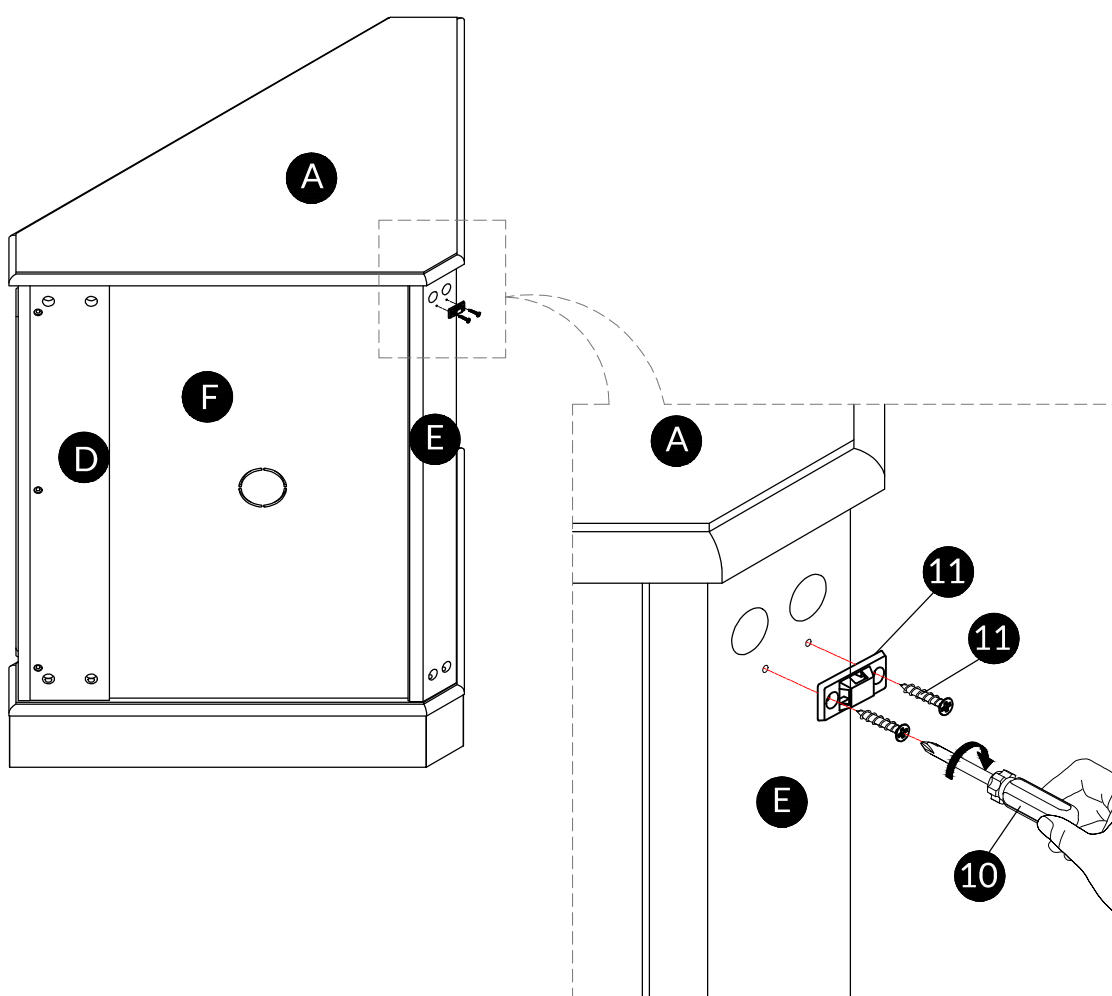
Hinge adjustment method


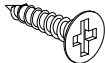
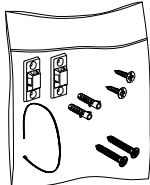
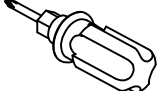


Video for door adjustment



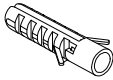
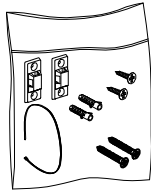
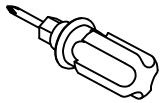
Step 11

Use screw #11-2 to attach part #11-1 to back (E), tight screw with screwdriver 10.



11	x1	11	x2	11	x1	10	x1
							

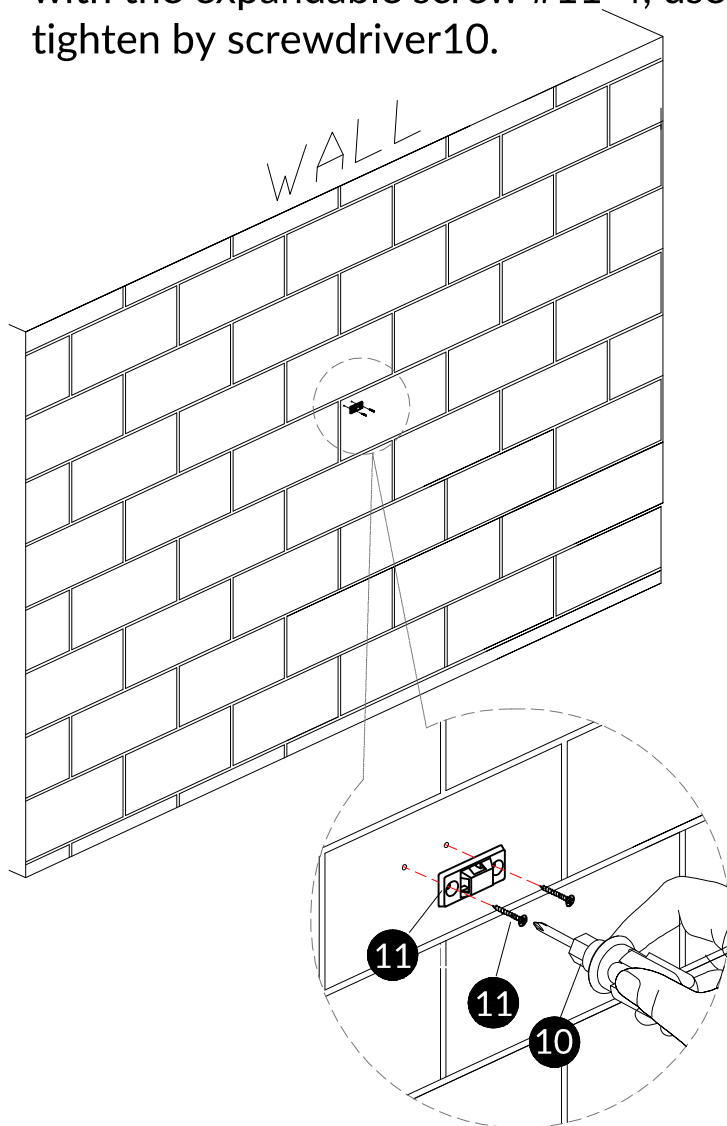
Step 12

11	x1	11	x2	11	x2	11	x1	10	x1
									

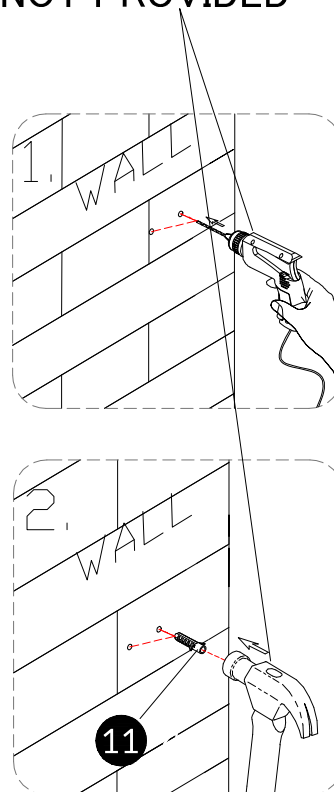
1. Install the anti-collapse device.

2. Mark the position on the wall, that corresponds to the location of part #11-1 on the of panel (E); Drill and insert the expandable screw #11-4 by hammer.

3. Assemble the part #11-1 to the wall. Align the hole in the part #11-1 with the expandable screw #11-4, use screw #11-3 to attach it and tighten by screwdriver 10.

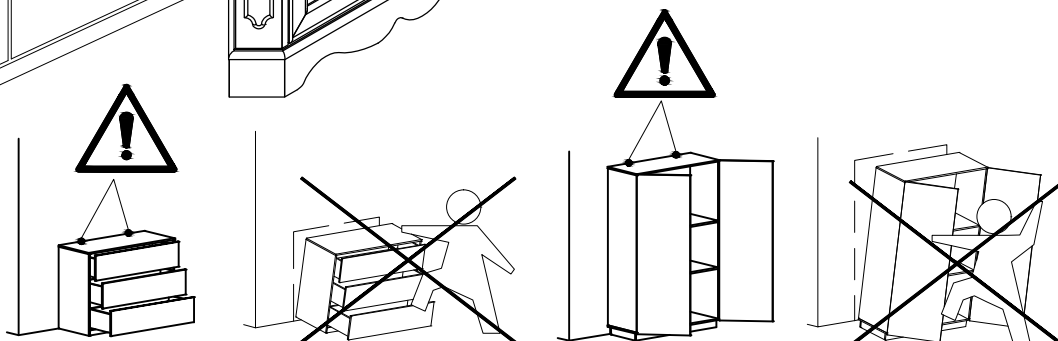
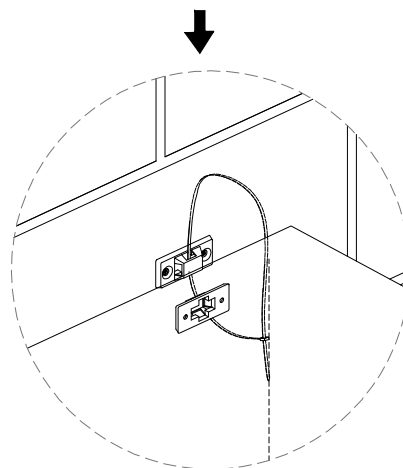
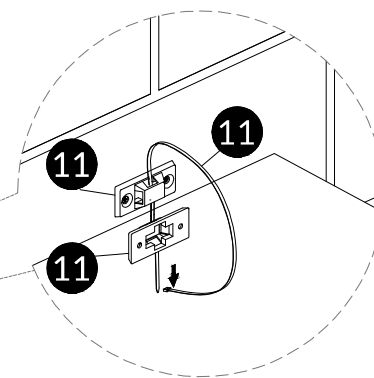
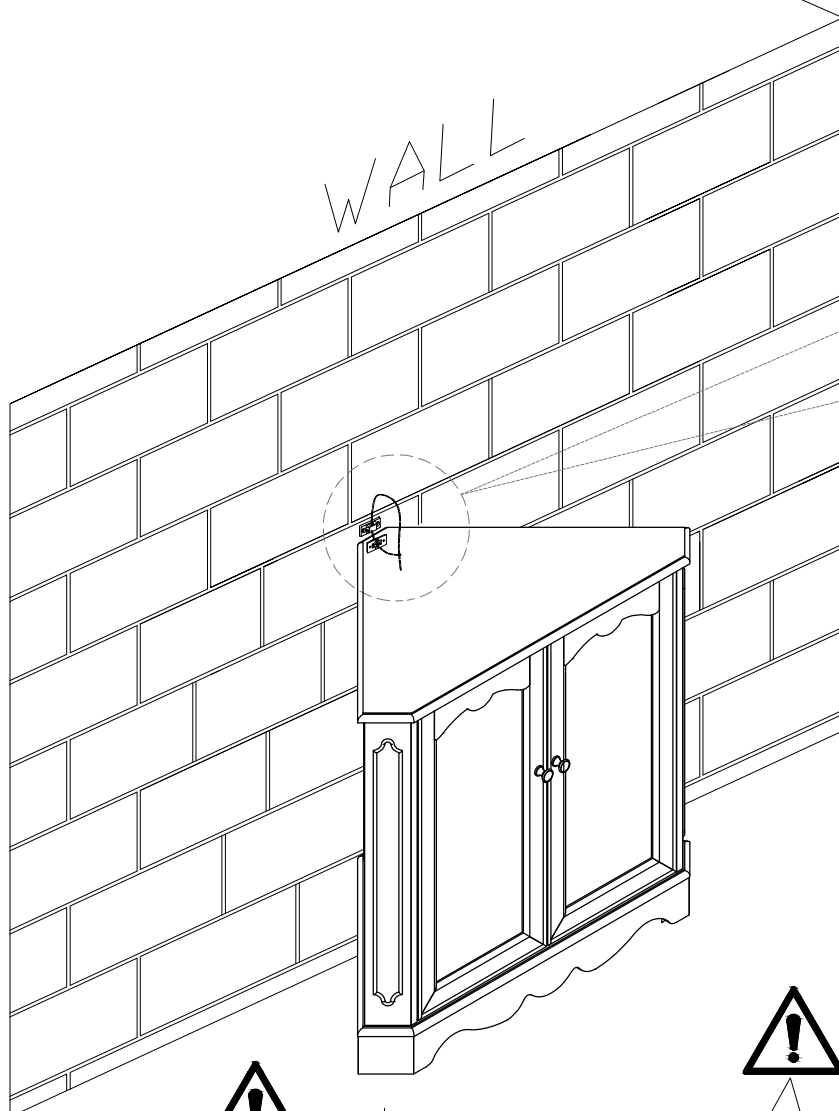
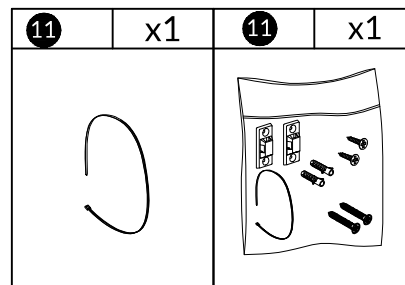


NOT PROVIDED



Step 13

Let the plastic belt #11-5 pass through the both part #11-1 and pull tightly.



WARRANTY

- We strive to offer quality products, and we also try our best to satisfy every customer who orders from us with products or services as needed.
- We provide 30 days warranty starting from the time you receive the item. Each customer must provide a record of their orders such as the order number, or item receipt for any items that are out of the warranty period you may also still receive.
- Replacement parts by purchasing them from our company if they are available.
- For return, please check the return policy with the retailer or market place you bought from

Appreciate your purchasing from us.
Pop up your life by our furniture piece!