

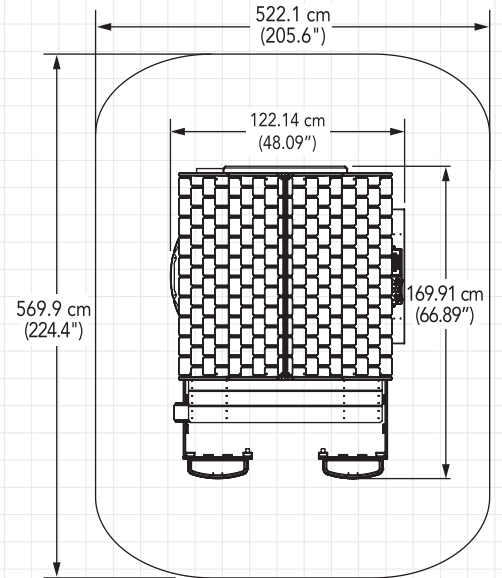
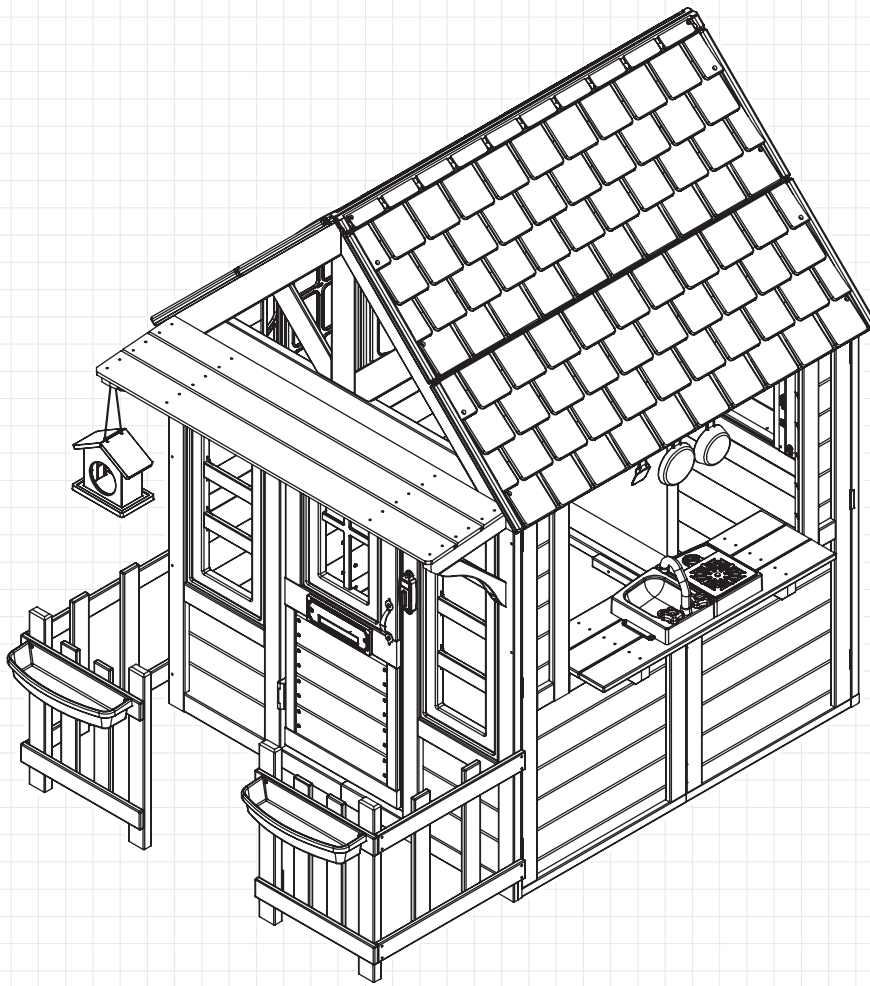


P280211

RIVERSCAPE PLAYHOUSE



OBSTACLE FREE SAFETY ZONE - 205.6" x 224.4" (522.1 cm x 569.9 cm)
CAPACITY - 6 Users Maximum, Ages 3 to 10.
RESIDENTIAL HOME USE ONLY. Not intended for public areas such as schools, churches, nurseries, day cares or parks.



INSTALLATION AND OPERATING INSTRUCTIONS

FOR 24/7 ONLINE PARTS REPLACEMENT

parts.kidkraft.com

Backyard Kids, LLC DBA KidKraft
317 S. Main St.
Ann Arbor, MI 48104

customerservice@kidkraft.com
1.800.933.0771
972.385.0100

Rev 11/05/2024

⚠ WARNING

To reduce the risk of serious injury or death, please read and follow these instructions. Keep and refer to instructions as needed and pass along to any future owners of this item.

Congratulations on purchasing a KidKraft product!

**Our items are made of high-quality,
durable Cunninghamia Lanceolata wood
from the cypress family.**

**Lumber from these trees are known for
their light weight and excellent strength.
The porosity of this wood allows the
moisture to absorb and evaporate in the
fibers, resisting rot and bugs.**

**Engineered for great play, our products
also go through extensive testing for safety.**

**Plus, our team has developed a series of
proprietary methods for a simpler, more
organized assembly. Less build time and
more play time is our motto!**

**However, during assembly if you have any
questions or concerns, please reach out.
Our Customer Service can help with missing
parts, instructions or maintenance.**



Warnings and Safe Play Instructions

CONTINUOUS ADULT SUPERVISION REQUIRED. Most serious injuries and deaths on playground equipment have occurred while children were unsupervised! Our products are designed to meet mandatory and voluntary safety standards. Complying with all warnings and recommendations in these instructions will reduce the risk of serious or fatal injury to children using this play system. Go over the warnings and safe play instructions regularly with your children and make certain that they understand and follow them. Remember on-site adult supervision is required for children of all ages.



WARNING

CHOKING HAZARD/SHARP EDGES & POINTS

Adult assembly required. This product contains small parts and parts with sharp edges and points. Keep parts away from children until fully assembled.

STRANGULATION HAZARD

- **NEVER** allow children to play with ropes, clotheslines, pet leashes, cables, chains or cord-like items when using this playhouse or to attach these items to the playhouse.
- **NEVER** allow children to wear loose fitting clothing, ponchos, hoods, scarves, capes, necklaces, items with draw-strings, cords or ties when using this playhouse.
- **NEVER** allow children to wear bike or sport helmets when using this playhouse.

Failure to prohibit these items, even helmets with chin straps, increases the risk of serious injury and death to children from entanglement and strangulation.

TIP OVER HAZARD

Choose a level location for the equipment. This can reduce the likelihood of the playhouse tipping over and loose-fill surfacing materials washing away during heavy rains.

DO NOT allow children to play on the playhouse until the assembly is complete.

PLACEMENT

Place the toy on a level surface at least 2m from any structure or obstruction such as fences, garages, house, overhanging branches, laundry or electrical wires.



WARNING – Safe Play Instructions

- ✓ Dress children with well fitting and full foot enclosing footwear.
- ✓ Check for splintered, broken or cracked wood; missing, loose, or sharp edged hardware. Replace, tighten and or sand smooth as required prior to playing.
- ✓ Replace defective parts in accordance with manufacturer's instructions.
- ✗ Do not allow children to wear open toe or heel footwear like sandals, flip-flops or clogs.
- ✗ Do not permit climbing on equipment when it is wet.
- ✗ Do not permit rough play or use of equipment in a manner for which it was not intended. Standing or climbing on or jumping from the roof.

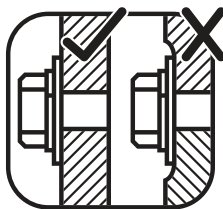
Instructions for Proper Maintenance

Your KidKraft Play System is designed and constructed of quality materials with your child's safety in mind. As with all outdoor products used by children, it will weather and wear. To maximize the enjoyment, safety and life of your Playhouse, it is important that you, the owner, properly maintain it.

Check the following at the beginning of the play season:

HARDWARE:

- ✓ Check metal parts for rust. If found, sand and repaint using a non-lead paint complying with 16 CFR 1303.
- ✓ Inspect and tighten all hardware. On wood assemblies **DO NOT OVER-TIGHTEN** as to cause crushing and splintering of wood.
- ✓ Check for sharp edges or protruding screw threads, add washers if required.



WOOD PARTS:

- ✓ Check all wood members for deterioration, structural damage and splintering. Sand down splinters and replace deteriorated wood members. As with all wood, some checking and small cracks in grain is normal.
- ✓ Applying a water repellent or stain (water-based) on a yearly basis is important maintenance to maintain maximum life and performance of the product.

Check twice a month during play season:

HARDWARE:

- ✓ Inspect for tightness. Must be firmly against, but not crushing the wood. **DO NOT OVER-TIGHTEN.** This will cause splintering of wood.
- ✓ Check for sharp edges or protruding screw threads. Add washers if required.

If you dispose of your playhouse: Please disassemble and dispose of your unit so that it does not create any unreasonable hazards at the time it is discarded. Be sure to follow your local waste ordinances.

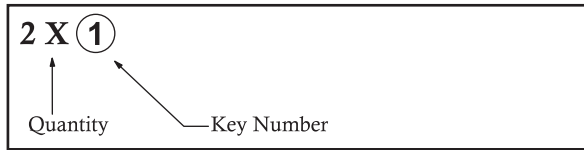
Keys to Assembly Success

Tools Required

<ul style="list-style-type: none"> • Carpenters Level • Carpenters Square 	<ul style="list-style-type: none"> • Claw Hammer • Tape Measure • #1 Phillips, #2 Robertson and Screwdriver 	<ul style="list-style-type: none"> • Standard or Cordless Drill • Pencil 	<ul style="list-style-type: none"> • Safety Glasses • Adult Helpers
---	--	--	---

Part Identification Key

On each page, you will find the parts and quantities required to complete the assembly step illustrated on that page. Here is a sample.



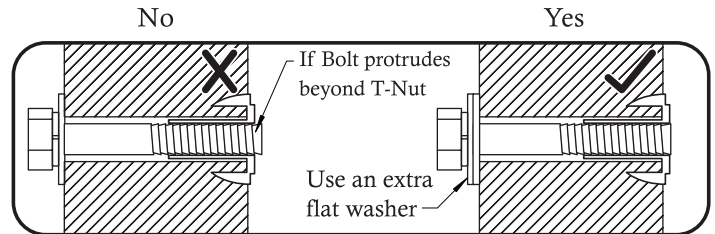
Symbols

Throughout these instructions symbols are provided as important reminders for proper and safe assembly.

<p>This identifies information that requires special attention. Improper assembly could lead to an unsafe or dangerous condition.</p>	<p>Check that set or assembly is properly level before proceeding.</p> <p>Use Level</p>
<p>Use Help</p> <p>Use Help</p> <p>Where this is shown, 2 or 3 people are required to safely complete the step. To avoid injury or damage to the assembly make sure to get help!</p>	<p>Pre-drill 1/8" & 3/16" Bit</p> <p>Pre-drill a pilot hole before fastening screw or lag to prevent splitting of wood.</p>
<p>Measure Distance</p> <p>Check that assembly is square before tightening bolts.</p> <p>Use a measuring tape to assure proper location.</p>	<p>Tighten Bolts</p> <p>This indicates time to tighten bolts, but not too tight! Do not crush the wood. This may create splinters and cause structural damage.</p>
<p>Square Assembly</p>	

CAUTION – Protrusion Hazard

Once the assembly is tightened, watch for exposed threads. If a thread protrudes from the T-Nut, remove the bolt and add washers to eliminate this condition. Extra washers have been provided for this purpose.

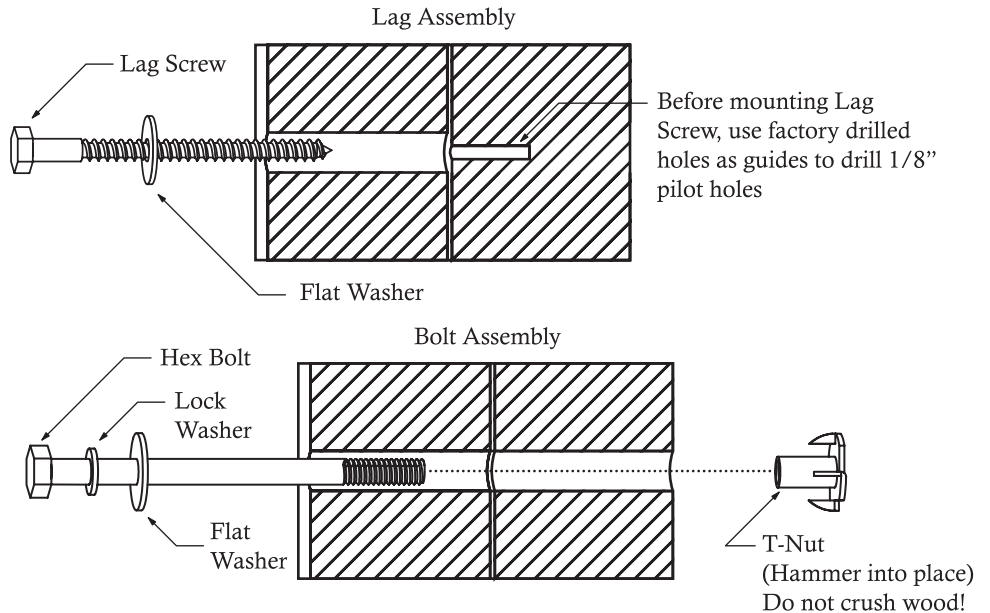


Proper Hardware Assembly

Lag screws require drilling pilot holes to avoid splitting wood. Only a flat washer is required. For ease of installation liquid soap can be used on all lag-type screws.

For bolts, tap T-Nut into hole with hammer. Insert the hex bolt through lock washer first then flat washer then hole. Because the assemblies need to be squared do not completely tighten until instructed. Pay close attention to diameter of the bolts. 5/16" is slightly larger than 1/4".

Note: Wafer head bolts with blue lock tight or a bolt with a Ny-Lok nut do NOT require a lock washer.



About Our Wood

KidKraft Premium Play Systems uses only premium playset lumber, ensuring the safest product for your children's use. Although we take great care in selecting the best quality lumber available, wood is still a product of nature and susceptible to weathering which can change the appearance of your set.

What causes weathering? Does it affect the strength of my Play System?

One of the main reasons for weathering is the effects of water (moisture); the moisture content of the wood at the surface is different than the interior of the wood. As the climate changes, moisture moves in or out of the wood, causing tension which can result in checking and or warping. You can expect the following due to weathering. These changes will not affect the strength of the product:

1. **Checking** is surface cracks in the wood along the grain. A post (4" x 4") will experience more checking than a board (1" x 4") because the surface and interior moisture content will vary more widely than in thinner wood.
2. **Warping** results from any distortion (twisting, cupping) from the original plane of the board and often happens from rapid wetting and drying of the wood.
3. **Fading** happens as a natural change in the wood color as it is exposed to sun-light and will turn a grey over time.

How can I reduce the amount of weathering to my Play System?

At the factory we have coated the wood with a water repellent or stain. This coating decreases the amount of water absorption during rain or snow thus decreasing the tension in the wood. Sunlight will break down the coating, so we recommend applying a water repellent or stain on a yearly basis (see your local stain and paint supplier for a recommended product).

Most weathering is just the normal result of nature and will not affect safe play and enjoyment for your child. However if you are concerned that a part has experienced a severe weathering problem please call our consumer relations department for further assistance.

Complete and mail registration card to receive important product notifications and assure prompt warranty service.

KidKraft Limited Warranty

MISSING OR DAMAGED PARTS:

KidKraft will replace any parts within 90 days from date of purchase found to be missing from or damaged in the original packaging. See Fig.1

Fig. 1	<u>Product Age (All Parts)</u> 0-90 Days from date of purchase	<u>Consumer Pays</u> \$0 for Part + Free Shipping
--------	---	--

DEFECTS IN MATERIAL AND WORKMANSHIP:

KidKraft warrants that this product is free from defects in materials and workmanship for a period of one (1) year from the original date of purchase (dated sales receipt and/or product registration is required). This one (1) year warranty covers all parts including wood, hardware, and all accessories (Such as swings, rides, and slides). See Fig. 2

Fig. 2	<u>Product Age (All Parts)</u> 91 Days to 1 Year	<u>Consumer Pays</u> \$0 for Part + Free Shipping
--------	---	--

WOOD ROT, DECAY, AND INSECT DAMAGE:

All wood carries a five (5) year warranty against rot, decay, and insect damage (dated sales receipt and/or product registration is required). Refer to the schedule below for charges associated with replacement of wood parts under this **Limited Warranty**. See Fig. 3

Fig. 3	<u>Product Age (Wood Parts)</u> 0 Days to 1 Year After 1 Year to 5 Year Over 5 Years	<u>Consumer Pays</u> \$0 for Part + Free Shipping \$0 for Part + Shipping & Handling 100% for Part (if available) + Shipping & Handling
--------	---	--

This warranty applies to the original owner and registrant and is non-transferable. Regular maintenance is required to ensure the integrity of this product. Failure by the owner to maintain the product according to the maintenance requirements may void this warranty.

This Limited Warranty does NOT cover:

- Any inspection cost
- Labor and/or costs for replacement of any defective item(s), including but not limited to, professional installer costs
- Incidental or consequential damages, including but not limited to, as a result of set relocation, move and/or reinstall
- Cosmetic defects which do not affect performance or integrity of a part or the entire product
- Vandalism, improper use or installation, or acts of nature, including but not limited to, high winds, fire, and flood
- Minor twisting, warping, checking, or any natural occurring properties of wood that do not affect performance or integrity.
- Any KidKraft product purchased, including but not limited to, a non-approved retailer, auction houses, second-hand, and as-is clearance items.

KidKraft products have been designed for safety and quality. Modifications made to the original product may damage the structural integrity of the unit leading to failure and possible injury. KidKraft cannot assume any responsibility for the modified products. Furthermore, modifications void all warranties.

This product is warranted for **RESIDENTIAL USE ONLY**. Under no circumstance should a KidKraft product be used in public settings such as schools, churches, playgrounds, parks, home and professional day cares and the like. Such use may lead to product failure and potential injury. Public use will void this warranty. KidKraft disclaims all other representations and warranties of any kind, express or implied.



parts.kidkraft.com

customerservice@kidkraft.com
1.800.933.0771
972.385.0100

Battery Instruction and Warranty

This device complies with Part 15 of the FCC Rules. Operation is subject to the following two conditions:

(1) This device may not cause harmful interference, and (2) this device must accept any interference received, including interference that may cause undesired operation.

NOTE: This equipment has been tested and found to comply with the limits for a Class B digital device, pursuant to part 15 of the FCC Rules. These limits are designed to provide reasonable protection against harmful interference in a residential installation. This equipment generates, uses and can radiate radio frequency energy and, if not installed and used in accordance with the instructions, may cause harmful interference to radio communications. However, there is no guarantee that interference will not occur in a particular installation. If this equipment does cause harmful interference to radio or television reception, which can be determined by turning the equipment off and on, the user is encouraged to try to correct the interference by one or more of the following measures:

- Reorient or relocate the receiving antenna.
- Increase the separation between the equipment and receiver.
- Connect the equipment into an outlet on a circuit different from that to which the receiver is connected.
- Consult the dealer or an experienced radio /TV technician for help.

Note: Changes or modifications not expressly approved by the manufacturer responsible for compliance could void the user's authority to operate the equipment.

Please retain the information on this pack for future reference.

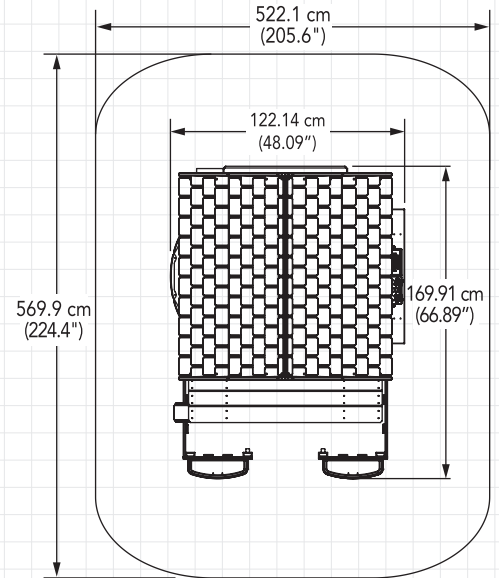
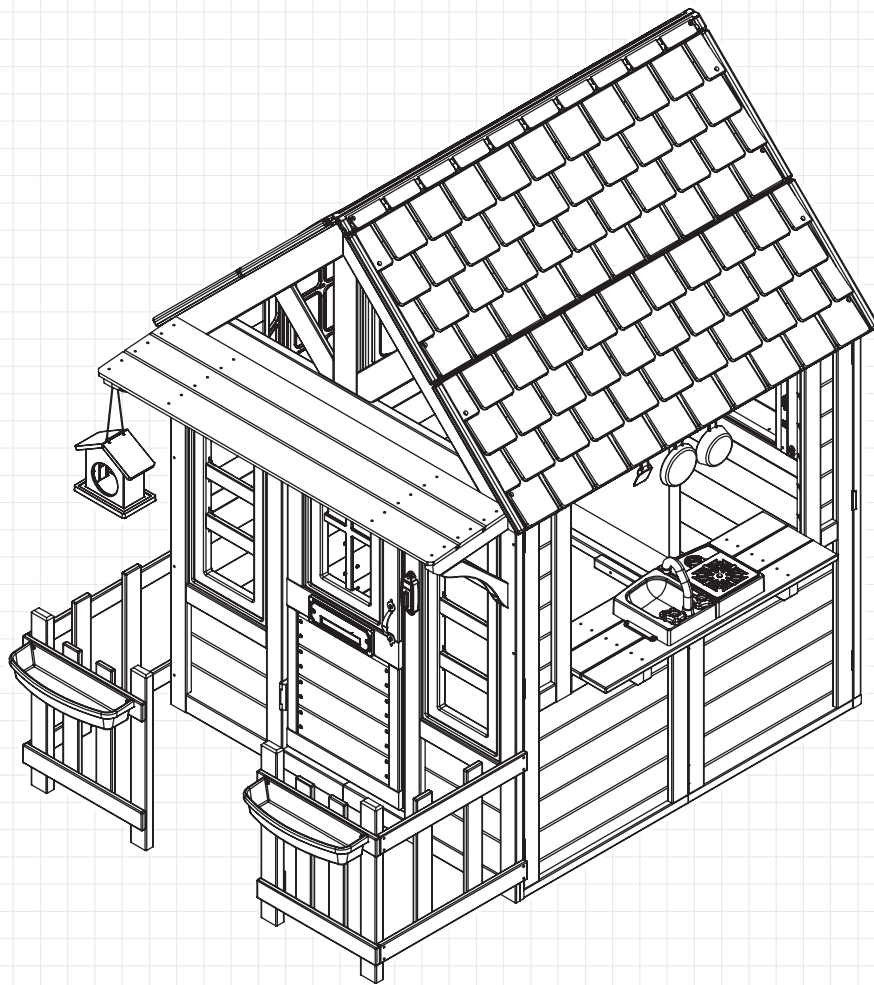
- Batteries should always be installed and changed under adult supervision.
 - Non-Rechargeable batteries are not to be recharged.
 - Rechargeable batteries are only to be charged under adult supervision.
 - Only batteries of the same equivalent type as recommended are to be used.
 - Batteries are to be inserted with the correct polarity.
 - Exhausted batteries are to be removed from the toy and disposed of properly.
 - The supply terminals are not to be short circuited.
 - Different types of batteries or new and used batteries are not to be mixed.
 - DO NOT mix alkaline, standard (carbon-zinc) or rechargeable batteries.
 - WARNING - KEEP BATTERIES OUT OF REACH OF CHILDREN
 - Swallowing may lead to serious injury in as little as 2 hours or death, due to chemical burns and potential perforation of the oesophagus.
 - If you suspect your child has swallowed or inserted a button battery, immediately seek urgent medical assistance.
 - Examine devices and make sure the battery compartment is correctly secured, e.g. that the screw or other mechanical fastener is tightened. Do not use if compartment is not secure.
 - Dispose of used button batteries immediately and safely. Flat batteries can still be dangerous.
 - Tell others about the risk associated with button batteries and how to keep their children safe.
 - Be sure to insert new batteries with positive (+) side up.
 - Rechargeable batteries are to be removed from the toy before being charged.
 - EU Regulations require exhausted batteries to be separately collected so that they can be treated using the best available recovery and recycling techniques. This will minimize the impact on the environment and human health from soil and water contamination by any hazardous substances, decrease the resources required to make new products and avoid using up landfill space.
 - Batteries or battery packs must be recycled or disposed of properly. When the batteries in this product have reached the end of their useful life, they should not be disposed of with other household waste.
 - Please do your part by keeping waste batteries out of the municipal waste stream!
 - This product contains a button battery. If swallowed, it could cause severe injury or death in just 2 hours. Seek medical attention immediately.
 - WARNING: Dispose of used batteries immediately.
- Keep new and used batteries away from children. If you think batteries might have been swallowed or placed inside any part of the body, seek immediate medical attention.

MAISON DE JEUX RIVERSCAPE

ZONE DE SÉCURITÉ SANS OBSTACLE - 205.6" x 224.4" (522.1 cm x 569.9 cm)

CAPACITÉ - 6 utilisateurs maximum, Âge 3 à 10.

UTILISATION POUR LES RÉSIDENCES SEULEMENT. Non conçu pour les endroits publics tels qu'écoles, églises, services de garde, garderies ou parcs.



NOTICE DE MONTAGE ET D'UTILISATION

POUR LE REMPLACEMENT 24/7 DES PIÈCES EN LIGNE

parts.kidkraft.com

Backyard Kids, LLC DBA KidKraft
317 S. Main St.
Ann Arbor, MI 48104

customerservice@kidkraft.com
1.800.933.0771
972.385.0100

Rev 11/05/2024

⚠️ AVERTISSEMENT

Pour réduire le risque de blessure grave ou de décès, vous devez lire et suivre toutes ces instructions. Conservez et référez-vous à ces instructions fréquemment, et remettez-les à tout futur propriétaire de cette structure.

Félicitations pour votre achat d'un produit KidKraft!

Nos produits sont fabriqués avec du bois durable de Cunninghamia Lanceolata de la famille du cyprès.

Le bois de ces arbres est réputé pour sa légèreté et son excellente solidité. La porosité de ce bois permet à l'humidité d'être absorbée et de s'évaporer dans les fibres, résistant ainsi à la pourriture et aux insectes.

Conçus pour un véritable usage ludique, nos produits doivent passer des tests de sécurité poussés.

De plus, notre équipe a développé une série de méthodes propres à nos produits pour un montage plus simple et méthodique. Moins de temps de montage et plus de temps pour s'amuser, c'est notre devise!

Cependant, si vous avez des questions ou des problèmes pendant le montage, n'hésitez pas à nous contacter. Notre Service Après-Vente pourra vous aider s'il manque des pièces ou pour le montage ou la maintenance.



Avertissements et instructions de jeu sécuri

SUPERVISION CONTINUE D'UN ADULTE REQUISE. La plupart des blessures graves et des décès sur les équipements de terrain de jeu ont lieu lorsque les enfants sont laissés sans surveillance ! Nos produits sont conçus pour répondre aux normes de sécurité obligatoires et volontaires. Le respect de tous les avertissements et recommandations contenus dans ces instructions réduira le risque de blessures graves ou mortelles pour les enfants qui utilisent cette structure de jeu. Passez régulièrement en revue les avertissements et instructions de jeu sécuritaire avec vos enfants et assurez-vous qu'ils les comprennent et les suivent. Rappelez-vous que la supervision sur place des adultes est nécessaire pour les enfants de tous âges.



AVERTISSEMENT

RISQUE D'ÉTOUFFEMENT/BORDURES ET POINTES COUPANTES

Assemblage par un adulte requis. Ce produit contient de petites pièces, et des pièces présentant des bordures et pointes acérées.

Gardez les pièces à l'écart des enfants pendant l'assemblage.

RISQUE DE STRANGULATION

- **NE JAMAIS** laisser les enfants jouer avec des cordes, fils à linge, laisses pour animaux, câbles, chaînes ou articles sous forme de corde lors de l'utilisation de la structure de jeux, et ne pas fixer de tels articles sur la structure de jeux.
- **NE JAMAIS** permettre aux enfants de porter des vêtements amples, ponchos, chandails à capuchon, foulards, capes, colliers, articles avec cordons, corde, ou attaches lors de l'utilisation de la structure de jeux
- **NE JAMAIS** permettre aux enfants de porter des casques de vélos ou de sport lors de l'utilisation de la structure de jeux.

Tout manquement à l'interdiction de ces articles, même les casques avec sangle au menton, augmente le risque de blessure grave ou de décès par entremêlement ou strangulation chez les enfants.

RISQUE DE RENVERSEMENT

Choisissez une zone plane pour l'équipement. Cela peut réduire le risque de renversement de la structure, et éviter quel que les matériaux de remplissage ne soient emportés lors de fortes pluies.

NE PAS laisser les enfants jouer sur la structure avant que l'assemblage ne soit terminé et que l'unité ait été ancrée.

POSITIONNEMENT

Placez la structure sur une surface plane située à au moins 2m de toute structure ou obstruction, tel que clôtures, garages, maison, branches, cordes à linge ou fils électriques.

AVERTISSEMENT – Instructions de jeu sécuritaires

- ✓ Assurez-vous que les enfants portent des chaussures fermées et bien ajustées.
- ✓ Vérifiez la structure afin de déceler tout bois fendu, fendillé, brisé ou craqué, ou encore toute quincaillerie manquante, mal fixée ou présentant des bordures acérées. Remplacez, serrez ou sablez tel que requis avant tout jeu.
- ✓ Remplacez les pièces défectueuses conformément aux instructions du fabricant.
- ✗ Ne laissez pas les enfants porter des chaussures à bout ouvert, telles que des sandales, des flip-flops ou des mules.
- ✗ Ne les laissez pas grimper sur l'équipement lorsque celui-ci est humide.
- ✗ Ne laissez pas l'équipement être utilisé de façon brutale, ou de toute façon n'étant pas prévue. Se tenir ou sauter du toit, des plateformes surélevées, balançoires, grimpeurs, échelles ou de la glissade pourrait s'avérer dangereux.

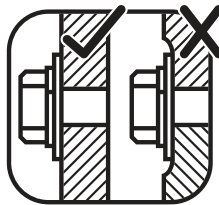
Instructions pour un entretien adéquat

Votre système de jeu Cedar Summit est conçu et bâti avec des matériaux de qualité, afin d'assurer la sécurité de votre enfant. Comme pour tous les produits extérieurs pour enfants, celui-ci s'usera. Pour maximiser les heures de jeux, la sécurité et la durée de vie de votre structure de jeu, il est important que vous, le propriétaire, entreteniez adéquatement l'équipement.

Vérifiez les éléments suivants au début de la saison de jeu:

QUINCAILLERIE:

- ✓ Vérifiez si les parties métalliques sont rouillées. Si elles le sont, sablez-les et repeignez-les avec une peinture sans plomb répondant à la norme 16 CFR 1303
- ✓ Inspectez et resserrez toute la quincaillerie. Au niveau des assemblages de bois, **NE PAS TROP SERRER** car cela pourrait écraser le bois et celui-ci pourrait fendre.
- ✓ Vérifiez qu'il n'y ait pas de bordures acérées, de vis protubérantes, et ajoutez des rondelles au besoin.



PIÈCES DE BOIS:

- ✓ Vérifiez les pièces de bois pour déceler toute détérioration, dommage structurel et fendillement. Sablez les parties fendillées et remplacez les parties de bois détériorées. Comme pour tout bois, de petites fissures et des craquements sont normaux.
- ✓ L'application d'un vernis ou protecteur imperméabilisant à base d'eau sur une base annuelle est une étape d'entretien importante pour assurer une performance et durée de vie accrues de votre produit.

À vérifier deux fois par mois pendant la saison de jeu:

QUINCAILLERIE:

- ✓ Assurez-vous qu'elle est bien fixée. Elle doit être fermement appuyée contre le bois, mais sans l'écraser. **NE PAS TROP SERRER.** Cela pourrait écraser le bois et celui-ci pourrait fendre.
- ✓ Vérifiez qu'il n'y ait pas de bordures acérées, de vis protubérantes, et ajoutez des rondelles au besoin.

Si vous jetez votre structure de jeu: Veuillez désassembler et disposer de votre unité de façon à ne pas poser de risque lorsque celle-ci sera jetée. Assurez-vous de vous conformer aux réglementations locales de mise aux rebuts.

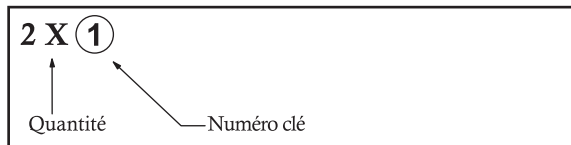
Trucs pour un assemblage réussi

Outils requis

<ul style="list-style-type: none"> • Niveau de menuisier • Équerre de menuisier 	<ul style="list-style-type: none"> • Marteau à fourche • Ruban à mesure • Phillips No.1, No.2 • Mèche Robertson 	<ul style="list-style-type: none"> • Perceuse régulière ou sans fil • Crayon 	<ul style="list-style-type: none"> • Lunettes de protection • Adultes pour aider
---	---	--	--

Identification des pièces

Sur chaque page, vous trouverez les pièces et les quantités requises pour compléter l'étape d'assemblage illustrée sur cette page. Voici un exemple.



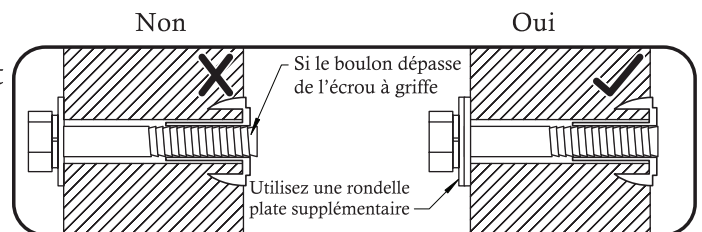
Symboles

Tout au long des instructions, des symboles sont présents pour vous rappeler des éléments importants pour un assemblage adéquat et sécuritaire.

<p>Cela identifie l'information requérant une attention particulière. Un assemblage incorrect pour entraîner une condition non-sécuritaire ou dangereuse.</p>	<p>Assurez-vous que le l'ensemble ou l'assemblage est de niveau avant de procéder.</p> <p>Utiliser Niveau</p>
<p>Obtenez de l'aide</p> <p>Obtenez de l'aide</p> <p>Lorsque cette icône est présente, 2 ou 3 personnes sont requises pour compléter l'étape. Pour éviter les blessures ou les dommages à l'assemblage, assurez-vous d'obtenir de l'aide.</p>	<p>Pré-perçage avec mèche 1/8" et 3/16"</p> <p>Pré-percez un trou de guidage avant de poser une vis afin d'éviter le fendillement du bois.</p>
<p>Mesurer les distances</p> <p>Assurez-vous que l'assemblage est de niveau avant de serrer les boulons.</p> <p>Utilisez un ruban à mesure afin de vous assurer de respecter les distances.</p>	<p>Assemblage de niveau</p> <p>Serrez les boulons</p> <p>Cela indique le moment de serrer les boulons, sans trop les serrer ! N'écrasez pas le bois. Cela pourrait engendrer des fissures et causer des dommages structurels.</p>

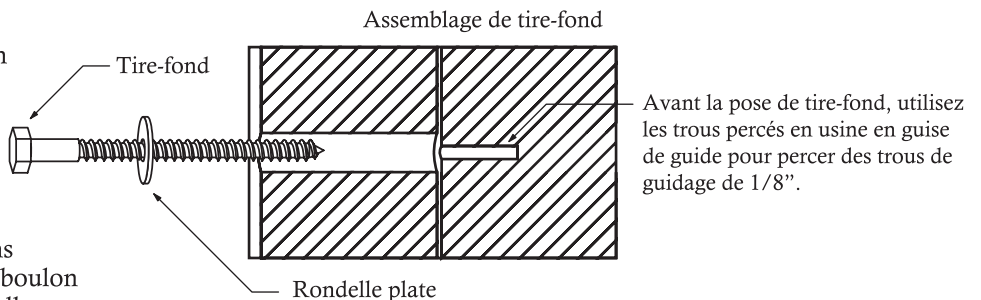
ATTENTION – Risque d'élément protubérant

Une fois l'assemblage complété, assurez-vous qu'il n'y a pas de filetage protubérant. Si du filetage dépasse de l'écrou à griffe, retirez le boulon et ajoutez des rondelles pour éliminer cette condition. Des rondelles supplémentaires ont été fournies à ces fins.

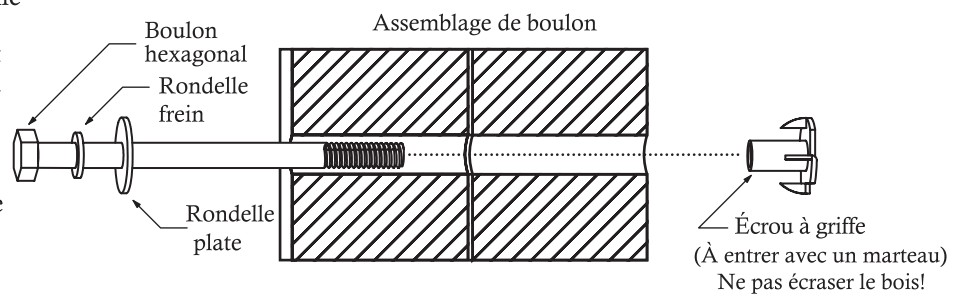


Assemblage adéquat de quincaillerie

Les tire-fonds requièrent le pré-perçage d'un afin d'éviter que le bois ne fende. Seule une rondelle plate est nécessaire. Pour une installation plus facile, du savon liquide peut être utilisé sur toutes les vis de type tire-fond.



Pour les boulons, placez l'écrou à griffe dans le trou avec un marteau. Insérez d'abord le boulon hexagonal via la rondelle frein puis la rondelle plate. Comme les assemblages doivent être de niveau, ne pas serrer complètement avant qu'il n'en soit indiqué ainsi. Portez attention au diamètre des boulons. 5/16" est légèrement plus grand que 1/4".



Note: Les boulons à tête mince avec système de verrouillage bleu ou les boulons avec écrou Ny-Lok ne nécessitent pas de rondelle de verrouillage.

À propos de notre bois

KidKraft Premium Play Systems utilise uniquement du bois de qualité, vous assurant un produit des plus sécuritaire pour votre enfant. Bien que nous sélectionnions un bois d'œuvre de qualité supérieure, le bois est un produit naturel susceptible d'altérations atmosphériques qui peuvent modifier l'apparence de votre centre de jeu.

Qu'est-ce qui cause ces altérations atmosphériques? Est-ce que cela affecte la solidité de mon centre de jeu?

L'une des principales raisons expliquant ces altérations atmosphériques est l'eau (l'humidité); la teneur en humidité du bois à la surface est différente de celle à l'intérieur de celui-ci. Quand la température change, des variations d'humidité entraînent une tension du bois pouvant occasionner ssurage et gauchissement. Voici certains des changements qui peuvent survenir à la suite de ces altérations. Ces changement n'affectent pas la solidité du bois.

1. **Le fissurage** correspond à des fissures superficielles du bois dans le sens des fibres. Les matériaux de 4 x 4 po risquent de présenter plus de fissures que les matériaux de 1 x 4 po puisque la teneur en humidité à l'intérieur du bois et en surface varie plus que dans le bois mince.
2. **Le gauchissement** est le résultat d'une déformation (torsion, évasement) du bois souvent lié au mouillage et au séchage rapide du bois.
3. **L'atténuation de la couleur** du bois arrive naturellement quand le bois est exposé au soleil et finit avec le temps par prendre une teinte grise.

Comment réduire ces altérations à mon centre de jeu?

À l'usine, nous avons appliqué sur le bois un imperméabilisant ou une teinture. Ce produit diminue l'absorption de l'eau quand il pleut ou neige, ce qui réduit la tension dans le bois. Le soleil finira par altérer ce produit, l'application d'un imperméabilisant ou d'une teinture une fois par an est une tâche d'entretien importante. (visitez votre fournisseur de peinture/teinture de votre région afin qu'il vous recommande un produit).

La plupart des altérations atmosphériques sont d'ordre naturel et n'affecteront pas les conditions de jeu ni le plaisir de votre enfant. Cependant, si vous pensez qu'une pièce a subi des altérations importantes, appelez notre service à la clientèle pour plus de renseignements.

Remplissez et postez une carte d'inscription pour recevoir des avis importants sur les produits ou pour assurer le service de garantie rapide.

Garantie limitée KidKraft

PIÈCES MANQUANTES OU ENDOMMAGÉES :

KidKraft remplacera toute pièce manquante ou endommagée dans l'emballage d'origine dans un délai de 90 jours à compter de la date d'achat. Voir Fig.1

Fig. 1	<u>Ancienneté du produit (toutes les pièces)</u>	<u>Montant payé par le consommateur</u>
	0-90 jours à partir de la date d'achat	0 \$ pour la pièce + livraison gratuite

DÉFAUTS DE MATÉRIAUX ET DE FABRICATION :

KidKraft garantit que ce produit est exempt de défauts de matériaux et de fabrication pendant une période d'un (1) an à compter de la date d'achat initiale (une facture datée et/ou l'enregistrement du produit sont nécessaires). Cette garantie d'un (1) an couvre toutes les pièces, y compris le bois, la quincaillerie et tous les accessoires (tels que les balançoires, les manèges et les toboggans). Voir Fig. 2

Fig. 2	<u>Ancienneté du produit (toutes les pièces)</u>	<u>Montant payé par le consommateur</u>
	91 jours à 1 an	0 \$ pour la pièce + livraison gratuite

POURRITURE DU BOIS, DÉCOMPOSITION ET DÉGÂTS CAUSÉS PAR LES INSECTES :

Tout le bois est garanti cinq (5) ans contre la pourriture, la décomposition et les dégâts causés par les insectes (une facture datée et/ou l'enregistrement du produit sont nécessaires). Consultez le tableau ci-dessous pour connaître les frais associés au remplacement des pièces en bois dans le cadre de la présente **Garantie limitée**. See Fig. 3

Fig. 3	<u>Ancienneté du produit (pièces en bois)</u>	<u>Montant payé par le consommateur</u>
	0 jours à 1 an	0 \$ pour la pièce + livraison gratuite
	De 1 à 5 ans	0 \$ pour la pièce + frais d'expédition et de manutention
	Plus de 5 ans	100 % pour la pièce (si disponible) + frais d'expédition et de manutention

Cette garantie s'applique au propriétaire initial et au déclarant et n'est pas transférable. Un entretien régulier est nécessaire pour garantir l'intégrité de ce produit. Le fait que le propriétaire n'entretienne pas le produit conformément aux exigences d'entretien peut annuler cette garantie.

Cette Garantie limitée NE couvre PAS :

- Les coûts d'inspection
- La main-d'œuvre et/ou les coûts de remplacement de tout article défectueux, y compris, mais sans s'y limiter, les coûts des installateurs professionnels
- Les dommages accessoires ou indirects, y compris, mais sans s'y limiter, à la suite d'un déménagement et/ou d'une réinstallation
- Les défauts cosmétiques qui n'affectent pas les performances ou l'intégrité d'une partie ou de l'ensemble du produit
- Le vandalisme, l'utilisation ou l'installation incorrecte ou les catastrophes naturelles, y compris, mais sans s'y limiter, les vents violents, les incendies et les inondations
- Une légère torsion, un gauchissement, un fendillement ou toute autre propriété naturelle du bois qui n'affectent pas sa performance ou son intégrité.
- Tout produit KidKraft acheté, y compris, mais sans s'y limiter, à un détaillant non agréé, une maison de vente aux enchères, les articles d'occasion et de liquidation vendus en l'état.

Les produits KidKraft ont été conçus dans un souci de sécurité et de qualité. Les modifications apportées au produit d'origine peuvent endommager l'intégrité structurelle de l'unité, entraînant une défaillance et des blessures éventuelles. KidKraft ne peut assumer aucune responsabilité pour les produits modifiés. En outre, les modifications annulent toutes les garanties.

Ce produit est garanti pour un **USAGE RÉSIDENTIEL SEULEMENT**. Un produit KidKraft ne doit en aucun cas être utilisé dans des lieux publics tels que les écoles, les églises, les terrains de jeux, les parcs, les garderies à domicile et professionnelles, etc. Une telle utilisation peut entraîner une défaillance du produit et des blessures potentielles. Un usage public annulera cette garantie. KidKraft décline toute autre représentation et garantie de quelque nature que ce soit, expresse ou implicite.

Instructions sur la batterie et garantie

Cet appareil est conforme à la Partie 15 des règles FCC. Le fonctionnement est sujet aux deux conditions suivantes: (1) Cet appareil ne doit pas générer d'interférences nuisibles, et (2) cet appareil doit accepter toute interférence reçue, incluant l'interférence qui pourrait causer un fonctionnement inadéquat.

NOTE: Cet équipement a été testé et répond aux limites pour appareil numérique de Classe B, en vertu de la partie 15 des règles FCC. Ces limites ont été établies pour offrir une protection raisonnable contre les interférences nuisibles dans une installation résidentielle. Cet équipement génère, utilise et peut émettre un rayonnement de fréquence radio et, s'il n'est pas installé adéquatement en conformément aux instructions, pourrait causer des interférences nuisibles aux communications radio. Toutefois, il n'est pas garanti que des interférences ne seront pas présentes dans une installation spécifique. Si cet équipement génère des interférences nuisibles avec la réception radio ou télévisuelle, ce qui peut être déterminé en allumant et éteignant l'équipement, l'utilisateur est invité à tenter de corriger l'interférence par le biais d'une ou de plusieurs de ces mesures:

- Réorienter ou relocaliser l'antenne de réception.
 - Augmenter la distance entre l'équipement et le récepteur.
 - Brancher l'équipement dans une prise se trouvant sur un circuit différent de celui sur lequel le récepteur est branché.
 - Consulter le revendeur ou un technicien radio/télé expérimenté pour obtenir de l'assistance
- Note: Tout changement ou modification n'ayant pas été expressément approuvé par le fabricant responsable de la conformité pourrait entraîner la révocation de l'autorisation d'utilisation de l'équipement.

Veuillez conserver les informations sur cet emballage pour référence ultérieure.

- Les piles rechargeables doivent être rechargées uniquement sous la surveillance d'un adulte.
- Les piles non rechargeables ne doivent pas être rechargées.
- Les piles rechargeables doivent impérativement être rechargées sous la surveillance d'un adulte.
- Utilisez exclusivement des piles du même type que celles recommandées.
- Respectez la polarité des piles.
- Les piles usagées doivent être retirées du jouet et éliminées de façon appropriée.
- Ne pas court-circuiter les bornes d'alimentation.
- Ne pas mélanger des piles de types différents ou des piles neuves et usagées.
- NE PAS mélanger des piles alcalines, standard (carbone-zinc) ou rechargeables.
- ATTENTION : GARDER LES PILES HORS DE PORTÉE DES ENFANTS
- Leur ingestion peut entraîner des conséquences graves voire mortelles comme des brûlures chimiques et une perforation potentielle de l'œsophage en à peine 2 heures.
- Si vous soupçonnez que votre enfant a avalé une pile bouton, demandez immédiatement une assistance médicale d'urgence
- Examinez les dispositifs et assurez-vous que le compartiment des piles est correctement fixé (par exemple : que la vis ou autre fixation mécanique est bien serrée). Ne pas utiliser si le compartiment n'est pas sécurisé.
- Jetez les piles bouton usagées immédiatement et selon les normes de sécurité en vigueur. Les piles plates peuvent malgré tout être dangereuses.
- Informez les autres sur le risque associé aux piles boutons et sur la façon de protéger leurs enfants.
- Assurez-vous d'insérer de nouvelles piles, le pôle positif (+) vers le haut.
- Les piles rechargeables doivent être enlevées du jouet avant d'être rechargées.
- Les réglementations de l'UE exigent que les batteries usagées doivent être collectés séparément afin qu'elles puissent être traités en utilisant les meilleures techniques de recyclage et de récupération. Cela permettra de minimiser l'impact sur l'environnement et la santé humaine causé par le sol et les eaux contaminées par des substances dangereuses, et de diminuer les ressources nécessaires pour fabriquer de nouveaux produits et d'éviter d'utiliser des espaces d'enfouissement.
- Les piles ou batteries doivent être recyclées ou éliminées de manière appropriée. Lorsque les batteries d'un produit ont atteint la fin de leur vie, celles-ci ne doivent pas être jetés avec les autres déchets ménagers.
- Merci de ne pas jeter les piles et batteries avec les déchets récoltés par la municipalité.
- Cet article contient une pile bouton. De graves blessures ou la mort pourraient suivre dans les deux heures suivant l'ingestion. Demander l'aide de professionnels de la santé sur le champ.
- AVERTISSEMENT : Jetez les piles usagées immédiatement. Conservez les piles neuves et usagées hors de portée des enfants. En cas de suspicion d'ingestion ou d'introduction dans une quelconque partie du corps d'une pile, consultez immédiatement un médecin.

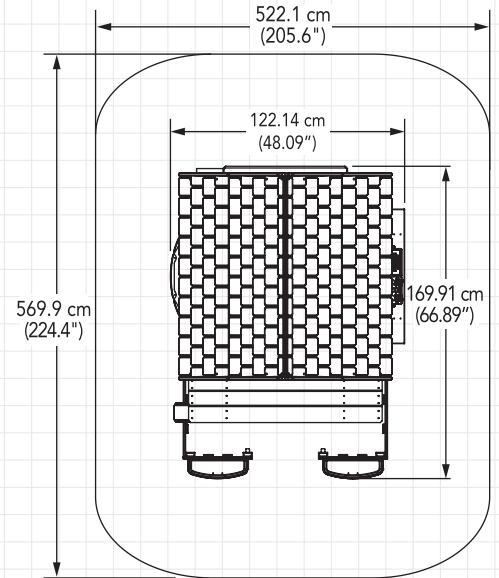
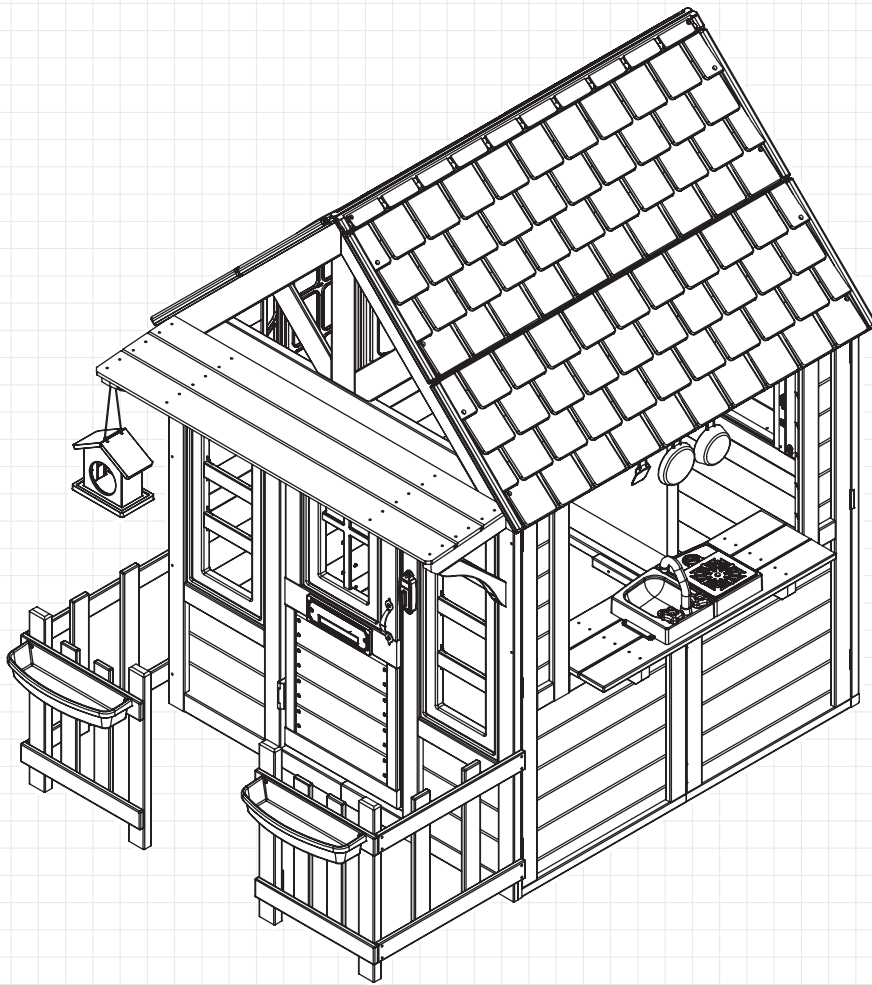
CASA DE JUEGOS RIVERSCAPE



ZONA DE SEGURIDAD LIBRE DE OBSTACULOS - 205.6" x 224.4" (522.1 cm x 569.9 cm)

CAPACIDAD - 6 usuarios máximo, de 3 a 10 años.

SÓLO PARA USO DOMÉSTICO RESIDENCIAL. No destinado para áreas públicas como escuelas, iglesias, guarderías o parques.



INSTRUCCIONES DE INSTALACIÓN Y OPERACIÓN

PARA SOLICITUDES ONLINE DE PIEZAS DE REPUESTO DE MANERA ININTERRUMPIDA

parts.kidkraft.com

Backyard Kids, LLC DBA KidKraft
317 S. Main St.
Ann Arbor, MI 48104

customerservice@kidkraft.com
1.800.933.0771
972.385.0100

Rev 11/05/2024

⚠️ ADVERTENCIA

Para reducir el riesgo de lesiones severas o la muerte, debe leer y seguir estas instrucciones. Conserve y consulte estas instrucciones con frecuencia y entréguelas al futuro dueño de este juego.

¡Enhorabuena por haber adquirido un producto de KidKraft!

Nuestros artículos están elaborados en madera duradera y de calidad superior de *Cunninghamia lanceolata*, un árbol de la familia del cedro.

La madera de estos árboles se caracteriza por su ligereza y su excelente resistencia. La porosidad de esta madera favorece la absorción y evaporación de la humedad en las fibras, y evita su deterioro y la presencia de insectos.

Nuestros productos, diseñados para pasar horas de juego estupendas, también se someten a minuciosas pruebas de seguridad.

Además, nuestro equipo ha desarrollado una serie de métodos patentados que simplifican y hacen más organizado el montaje. «Menos tiempo de montaje para disfrutar de más horas de juego» es nuestro lema.

Aun así, si durante el montaje le surge alguna duda o pregunta, no dude en ponerse en contacto. Nuestro servicio de Atención al cliente le ayudará con las piezas que falten, las instrucciones o el mantenimiento de los productos.



Advertencias e Instrucciones de Seguridad

SE REQUIERE LA SUPERVISIÓN PERMANENTE DE UN ADULTO. ¡La mayoría de los accidentes graves y muertes que se producen en los juegos de jardín ocurren cuando los niños no son vigilados por un adulto! Nuestros productos están diseñados para cumplir con las normas de seguridad obligatorias y voluntarias. Acatar todas las advertencias y recomendaciones de estas instrucciones reducirá el riesgo de que los niños sufran lesiones graves o fatales al utilizar este sistema de juego. Relea las advertencias e instrucciones de seguridad regularmente con sus hijos y asegúrese de que las entiendan y las acaten. Recuerde que se requiere la supervisión de un adulto en el sitio para niños de todas las edades.



ADVERTENCIA

PELIGRO DE ASFIXIA/ BORDES Y PUNTAS FILOSAS

Este producto debe ser instalado por un adulto. Contiene piezas pequeñas y piezas con bordes y puntas filosas. Mantenga las piezas alejadas de los niños hasta completarse la instalación.

PELIGRO DE ESTRANGULAMIENTO

- **NUNCA** permita que los niños jueguen con cuerdas, sogas para tender la ropa, correas de mascotas, cables, cadenas o artículos similares al utilizar este set de juegos, ni que aten estos artículos a los juegos.
- **NUNCA** permita que los niños usen ropa suelta, ponchos, gorros, bufandas, capas, collares, ropa con tiras, cuerdas o ataduras al utilizar este set de juegos.
- **NUNCA** permita que los niños usen cascos de bicicletas o deportivos al utilizar este set de juegos.

Si no se prohíbe el uso de estos artículos, incluso los cascos que se ajustan por debajo del mentón, se incrementa el riesgo de sufrir lesiones graves o de morir si los niños se enganchan y estrangulan.

PELIGRO DE VUELCO

Elija un lugar nivelado para instalar el equipo. Así habrá menos posibilidades de que el juego se incline y que el material de relleno suelto se lave con las lluvias fuertes

NO permita que los niños utilicen el juego hasta que esté totalmente instalado.

COLOCACIÓN

Coloque el juego sobre una superficie nivelada por lo menos a 2m de cualquier estructura u obstrucción, como cercas, garajes, casas, ramas, sogas para tender la ropa y cables eléctricos.



ADVERTENCIA – Instrucciones de seguridad

- ✓ Vista a los niños con ropa ajustada y calzado que cubra los pies por completo.
- ✓ Verifique que la madera no esté astillada, rota o quebrada y que no haya ninguna pieza de metal faltante, suelta o con borde filoso. Cambie, ajuste o lije las piezas, cuando fuera necesario, antes de jugar.
- ✓ Reemplace las piezas defectuosas siguiendo las instrucciones del fabricante.
- ✗ No permita que los niños usen calzado con la punta o el talón al descubierto, como sandalias, ojotas o zuecos.
- ✗ No permita que nadie se trepe al equipo cuando está mojado.
- ✗ No permita los juegos bruscos o el uso del equipo para fines diferentes a los fines para los que fue diseñado. Pararse, treparse o saltar desde el techo puede ser peligroso.

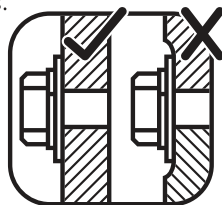
Instrucciones para un mantenimiento adecuado

Su sistema de Juegos Cedar Summit está diseñado y construido con materiales de calidad, pensando en la seguridad de sus hijos. Como ocurre con todos los juegos para niños que quedan a la intemperie, sufrirá desgates. Para maximizar el disfrute, la seguridad y la vida útil de su Casa de Juegos, es importante que usted, como dueño, lo mantenga adecuadamente.

Verifique lo siguiente al comienzo de la temporada de uso:

TORNILLOS Y ACCESORIOS:

- ✓ Verifique que no haya piezas metálicas oxidadas. Si encuentra alguna, lijela y vuelva a pintarla utilizando una pintura sin plomo que cumpla con las normas 16 CFR 1303.
- ✓ Revise y ajuste todas las piezas metálicas. En los ensambles de madera, **NO AJUSTE DE MÁS** las piezas metálicas ya que podría romper o astillar la madera.
- ✓ Verifique que no haya bordes filosos o roscas de tornillos sobresalientes; de ser necesario, agregue arandelas



PIEZAS DE MADERA:

- ✓ Verifique que las piezas de madera no estén deterioradas, tengan daños estructurales o estén astilladas. Lije las astillas y cambie las piezas deterioradas. Como con todas las maderas, es normal que haya alguna fisura o grieta pequeña.
- ✓ La aplicación de un impermeabilizante exterior o barniz (al agua) una vez al año es importante para mantener la máxima durabilidad y rendimiento del producto.

Verifique lo siguiente dos veces al mes durante la temporada de uso:

TORNILLOS Y ACCESORIOS:

- ✓ Verifique que estén bien ajustados. Deben estar firmes pero sin triturar la madera, **NO AJUSTE DE MÁS** ya que podría astillar la madera.
- ✓ Verifique e que no haya bordes filosos o roscas de tornillos sobresalientes. De ser necesario, coloque más arandelas.

Si se va a deshacer de su casa de juegos: Por favor, desmóntelo y deseche la unidad de manera de no generar ningún peligro. Asegúrese de cumplir con las ordenanzas locales sobre eliminación de desechos.



parts.kidkraft.com

customerservice@kidkraft.com
1.800.933.0771
972.385.0100

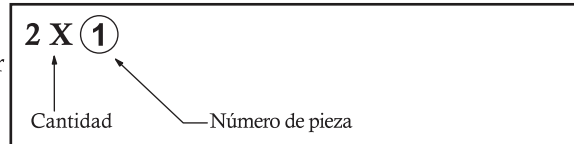
Claves para un montaje exitoso

Herramientas necesarias

<ul style="list-style-type: none"> Nivel de carpintero Escuadra de carpintero 	<ul style="list-style-type: none"> Martillo Cinta métrica Destornillador #1, #2 y #3 Phillips o Robertson 	<ul style="list-style-type: none"> Taladro estándar o inalámbrico Lápiz 	<ul style="list-style-type: none"> Antiparras Ayudantes adultos
---	--	---	---

Claves para identificar las piezas

En cada página encontrará las piezas y cantidades necesarias para completar los pasos de montaje ilustrados en cada página. Este es un ejemplo.



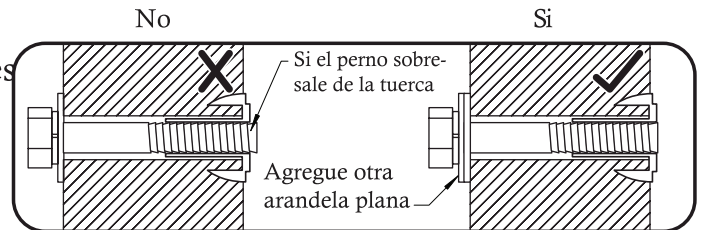
Símbolos

Estas instrucciones incluyen símbolos como recordatorios importantes para un montaje correcto y seguro.

<p>Esto identifica a la información que requiere de atención especial. El montaje incorrecto podría generar una condición insegura o peligrosa.</p>	<p>Use ayuda</p> <p>Use ayuda</p> <p>Este símbolo significa que se necesitarán 2 o 3 personas para completar el paso en forma segura. Para evitar lesiones o daños en el montaje, asegúrese de obtener ayuda.</p>	<p>Verifique que el juego o ensamble esté bien nivelado antes de continuar.</p> <p>Use nivel</p>
<p>Mida la distancia</p> <p>Verifique que el montaje esté en escuadra antes de ajustar los pernos</p> <p>Use una cinta métrica para garantizar una colocación correcta.</p>	<p>Ensamble en escuadra</p>	<p>Pre-perfore con mecha de 1/8" y 3/16"</p> <p>Pre-perfore un agujero piloto antes de ajustar los tornillos o tirafondos para que no se astille la madera</p> <p>Ajuste los pernos</p>
<p>Esto indica cuándo ajustar los tornillos, pero no demasiado. No rompa la madera, ya que podría astillarse y causar daños estructurales.</p>		

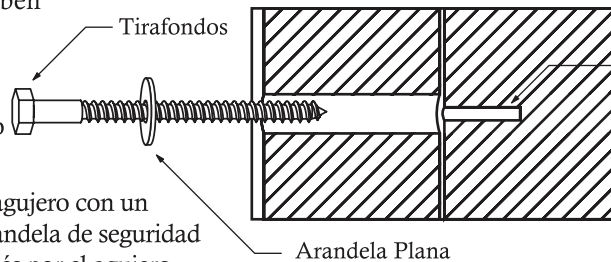
! CUIDADO – Peligro de roscas sobresalientes

Una vez ajustados los tornillos, verifique no haya roscas expuestas. Si una rosca sobresale de la tuerca T, retire el perno y agregue arandelas para que no sobresalga. Se proveen arandelas extra con este fin.



Colocación correcta de los tornillos y accesorios

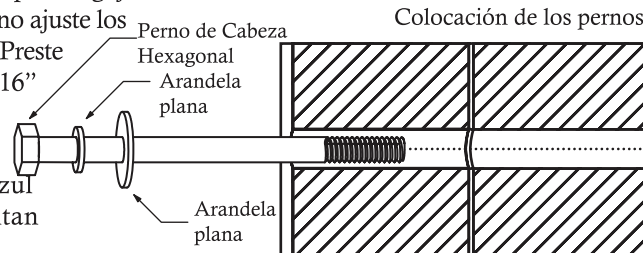
Para colocar los tornillos tirafondos se deben taladrar agujeros piloto para evitar que la madera se astille. Solo se necesita una arandela plana. Para facilitar la instalación se puede utilizar jabón líquido en todos los tornillos tirafondos.



Antes de colocar los tirafondos, utilice los agujeros perforados de fábrica como guía para perforar agujeros piloto de 1/8".

Para los pernos, introduzca la tuerca T en el agujero con un martillo. Inserte el perno hexagonal por la arandela de seguridad primero, luego por la arandela plana, y después por el agujero.

Como los ensambles deben estar en escuadra, no ajuste los tornillos por completo hasta que se le indique. Preste especial atención al diámetro de los pernos. 5/16" es levemente más grande que 1/4".



Tuerca T (Colocar con martillo) ¡No rompa la madera!

Nota: Los pernos wafer con sella-roscas azul o los pernos con tuerca Ny-Lok NO necesitan arandela de seguridad.

Acerca de Nuestra Madera

KidKraft utiliza solamente madera premium para parques infantiles, garantizando el producto más seguro para el uso de sus hijos. Aunque tenemos mucho cuidado en la selección de la madera de mejor calidad disponible, la madera sigue siendo un producto de la naturaleza y susceptible al desgaste por el clima, lo cual puede cambiar la apariencia de su parque infantil.

¿Qué causa el deterioro? ¿Afecta a la fortaleza de mi Sistema de Juegos?

Una de las principales razones del deterioro de la madera es el efecto del agua (humedad); el contenido de humedad de la madera en la super cie es diferente al de su interior. A medida que cambia el clima, la humedad entra o sale de la madera provocando tensión, lo que puede ocasionar suras o arqueos. Con el deterioro, es posible que ocurran los siguientes cambios, que no afectan a la fortaleza del producto:

1. **Fisuras:** son grietas en la super cie de la madera a lo largo de la veta. Un poste (de 10 cm x 10 cm) tendrá más suras que una plancha (de 2.5 cm x 10 cm) porque el contenido de humedad de la super cie y el interior varía más que en la madera delgada.
2. **Arqueo:** es el resultado de una distorsión (torcedura, ahuecamiento) del plano original de la plancha y generalmente ocurre cuando la madera se moja y seca rápidamente.
3. **Decoloración:** ocurre como un cambio natural en el color de la madera por su exposición a la luz del sol, y se torna grisácea con el paso del tiempo.

¿Cómo puedo reducir el deterioro de mi Sistema de Juegos?

En la fábrica hemos recubierto la madera con un impermeabilizante o barniz. Este recubrimiento reduce la cantidad de agua que absorbe la madera durante las lluvias o nevadas, disminuyendo la tensión. La luz del sol resquebraja el recubrimiento, por lo que recomendamos aplicar un impermeabilizante o barniz nuevo todos los años (pida a su proveedor local de barnices y pinturas que le recomiende algún producto).

Mayormente, el deterioro se produce como resultado de las fuerzas de la naturaleza y no afecta la seguridad ni la diversión de sus hijos. Pero, si está preocupado por alguna pieza en particular que haya sufrido algún problema grave de deterioro, por favor llame a nuestro departamento de atención al cliente para solicitar asistencia.

Complete y envíe por correo la tarjeta de registro para recibir notificaciones importantes sobre el producto y asegurar un rápido servicio de garantía.

Garantía limitada de KidKraft

PIEZAS NO INCLUIDAS O DAÑADAS:

KidKraft proporcionará piezas de repuesto, dentro de un plazo de 90 días desde la fecha de compra, para todas aquellas piezas que no se hayan incluido o que estén dañadas en el embalaje original. Véase la fig. 1.

Fig. 1	<u>Edad del producto (todas las piezas).</u>	<u>El consumidor paga</u>
	De 0-90 días a partir de la fecha de compra	0 \$ por pieza + envío gratuito

MATERIALES Y FABRICACIÓN DEFECTUOSOS:

KidKraft garantiza que este producto no tiene defectos ni en su fabricación ni en los materiales que lo componen durante un periodo de un (1) año a partir de la fecha de compra original (es necesario presentar el recibo de la compra fechado o el número de registro del producto).

Esta garantía de un (1) año cubre todas las piezas, incluidas las piezas de madera, los herrajes y todos los accesorios (como pueden ser los columpios). Véase la fig. 2.

Fig. 2	<u>Edad del producto (todas las piezas).</u>	<u>El consumidor paga</u>
	De 91 días a 1 año	0 \$ por pieza + envío gratuito

MADERA PODRIDA, DETERIORADA Y DAÑADA POR INSECTOS:

Toda la madera cuenta con una garantía de cinco (5) años en caso de que se pudra, se deteriore o sufra daños a causa de los insectos (es necesario presentar el recibo de la compra fechado o el número de registro del producto).

Consulte a continuación los cargos asociados con los recambios de piezas de madera conforme a esta **Garantía limitada**. Véase la fig. 3.

Fig. 3	<u>Edad del producto (piezas de madera).</u>	<u>El consumidor paga</u>
	De 0 días a 1 año	0 \$ por pieza + envío gratuito
	Después de 1 año hasta 5 años	0 \$ por pieza + envío y transporte
	Más de 5 años	100 % por la pieza (si está disponible) + envío y transporte

Esta garantía se aplica al propietario original y registrante, y no es transferible. Es necesario llevar un mantenimiento regular del producto para garantizar su integridad. Si el propietario no mantiene el producto conforme a los requisitos de mantenimiento, esta garantía puede verse anulada.

La presente Garantía limitada NO cubre:

- Los costes de inspección
- El coste de la mano de obra y otros costes incurridos por cambiar artículos defectuosos, como puede ser, entre otros, el coste de una instalación profesional
- Daños imprevistos o derivados causados por, entre otros, un cambio de ubicación, mudanza o reinstalación
- Defectos estéticos que no afectan al rendimiento ni a la integridad de una pieza o del producto entero
- Vandalismo, uso o instalación indebidos, o casos fortuitos, como pueden ser, entre otros, vientos fuertes, incendios e inundaciones
- Cambios mínimos en la madera provocados por retorcimientos, deformaciones, marcas o cualquier consecuencia natural que no afecten a su rendimiento ni integridad
- Cualquier producto KidKraft adquirido, entre otros, en un distribuidor no autorizado, en casas de subastas, de segunda mano o como artículo de liquidación con defectos incluidos

Los productos de KidKraft han sido diseñados para garantizar la seguridad y la calidad. Cualquier alteración realizada en el producto original puede dañar la integridad estructural de la unidad y provocar un fallo o posible daño. KidKraft no se hace responsable de los productos alterados. Además, las alteraciones realizadas anulan todas las garantías.

Este producto está garantizado **SOLO PARA UN USO DOMÉSTICO**. Los productos de KidKraft no se deben usar, bajo ningún concepto, en entornos públicos, como escuelas, iglesias, parques infantiles y no infantiles, centros de asistencia diurna o infantil y similares. Dicho uso puede provocar fallos en el producto o causar posibles daños. El uso público de este producto anulará esta garantía. KidKraft renuncia al resto de representaciones y garantías de cualquier naturaleza, ya sea expresa o implícita.

Instrucciones sobre las baterías - Garantía

Este dispositivo cumple con el Art. 15 de las Reglas de la FCC. Su operación está sujeta a las siguientes condiciones: (1) Este dispositivo no podrá causar interferencias nocivas, y (2) este dispositivo deberá aceptar cualquier interferencia que reciba, incluso aquella que pueda afectar su funcionamiento.

NOTA: Este equipo ha sido evaluado y cumple con las especificaciones para un dispositivo digital clase B, conforme al artículo 15 de las reglas de la FCC. Estos límites han sido diseñados para brindar una protección razonable contra la interferencia nociva en una instalación residencial. Este equipo genera, utiliza y puede irradiar energía de radiofrecuencia y, si no se instala y utiliza de acuerdo con las instrucciones, podría causar interferencia nociva para las comunicaciones radiales. No obstante, no se garantiza la ausencia de interferencia en una instalación en particular. Si este equipo causa interferencias con la señal de recepción de la radio o televisión, lo cual se verifica apagando y encendiendo el equipo, el usuario puede intentar corregir la interferencia tomando una o más de las siguientes medidas:

- Reoriente o reubique la antena receptora.
- Aumente la distancia entre el equipo y el receptor.
- Conecte el equipo en un tomacorriente donde no esté enchufado el receptor.
- Consulte al distribuidor o a un técnico de radio/TV experimentado.

Nota: Los cambios o modificaciones que no estén expresamente aprobados por el fabricante responsable del cumplimiento pueden anular la autoridad del usuario para operar el equipo.

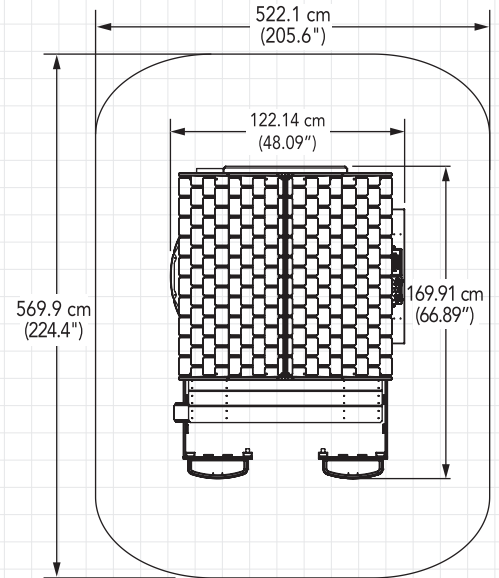
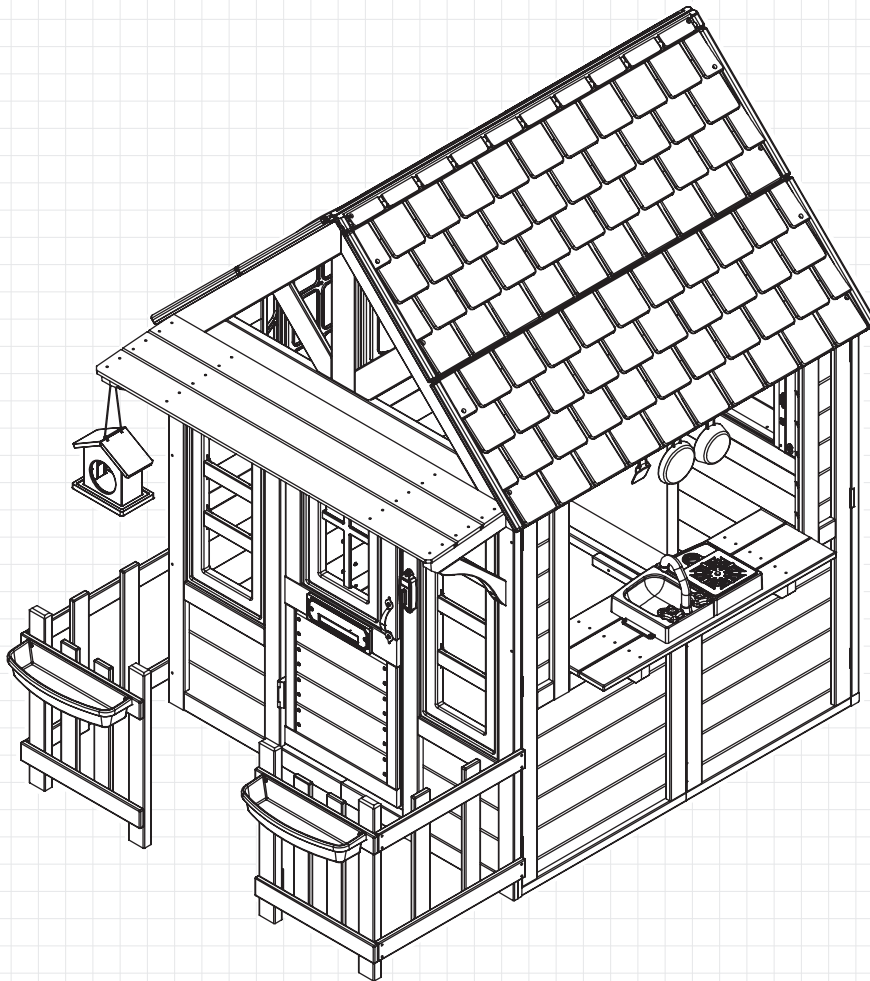
Por favor, conserve la información de este paquete para futuras consultas.

- Las pilas siempre se deben instalar y cambiar bajo la supervisión de un adulto.
- Las pilas no recargables no deben recargarse.
- Las pilas recargables sólo deben cargarse bajo la supervisión de un adulto.
- Deben utilizarse sólo pilas del mismo tipo equivalente que se recomienda.
- Las pilas se deben insertar con la polaridad correcta.
- Las pilas gastadas deben retirarse del juguete y desecharse adecuadamente.
- Los conductores de polos opuestos no deben entrar en contacto.
- No deben mezclarse tipos de pila diferentes, o pilas nuevas y usadas.
- NO mezcle pilas alcalinas, estándar (zinc-carbono) o recargables.
- **ADVERTENCIA - MANTENGA LAS PILAS ALEJADAS DEL ALCANCE DE LOS NIÑOS**
- Su ingestión puede provocar, en solo dos horas, lesiones graves o incluso la muerte a causa de la aparición de quemaduras químicas y la posible perforación del esófago.
- Si sospecha que un niño ha ingerido o se ha introducido una pila de botón, solicite asistencia médica urgente de inmediato.
- Examine los dispositivos y asegúrese de que el compartimento de las pilas esté debidamente cerrado, es decir, verifique que el tornillo de cierre u otro dispositivo mecánico de fijación esté debidamente apretado. No utilice el dispositivo si el compartimento no está bien cerrado.
- Elimine de inmediato y de forma segura las pilas de botón gastadas. Tenga en cuenta que las baterías agotadas todavía pueden ser peligrosas.
- Notifique a los demás el riesgo asociado a las pilas de botón y explique cómo velar por la seguridad de los niños.
- Asegúrese de insertar las baterías nuevas con el lado positivo hacia arriba (+).
- Las baterías recargables deben retirarse del juguete antes de ser cargadas.
- Las regulaciones de la Unión Europea requieren que la(s) batería(s) ya utilizadas sean recolectadas por separado para poder ser recicladas con la técnica apropiada. Esto reducirá el impacto en el medio ambiente y en la salud de las personas ocasionado por la contaminación del agua y suelo que son causados por sustancias tóxicas. Así se disminuyen los recursos requeridos para fabricar nuevos productos y evitar el uso de espacio en los vertederos.
- Las batería(s) deben ser deshechadas apropiadamente. Cuando las batería(s) de este producto terminen su ciclo de utilidad no deben ser deshechadas con otros residuos domésticos.
- Por favor deseche la(s) batería(s) de acuerdo a los reglamentos de su localidad.
- Este producto contiene pilas de botón, si se ingiere, puede causar lesiones graves o la muerte en tan sólo 2 horas, busque atención médica de inmediato.
- **ADVERTENCIA:** Elimine de inmediato las pilas de botón gastadas. Mantenga las baterías nuevas y usadas fuera del alcance de los niños. Si cree que las baterías han sido ingeridas o introducidas en alguna parte del cuerpo, llame de inmediato a los servicios sanitarios.

SPIELHAUS RIVERSCAPE

KAPAZITÄT - Max. 6 Benutzer, Alter von 3 bis 10.

NUR FÜR DEN HAUSGEBRAUCH. Nicht für öffentliche Bereiche wie Schulen, Kirchen, Kindergärten, Tagesstätten oder Parks geeignet.



INSTALLATIONS - UND BETRIEBSANLEITUNGEN

ONLINE-ERSATZTEILE RUND UM DIE UHR

parts.kidkraft.com

Backyard Kids, LLC DBA KidKraft
317 S. Main St.
Ann Arbor, MI 48104

customerservice@kidkraft.com
1.800.933.0771
972.385.0100

Rev 11/05/2024

⚠️ WARNUNG

Um die Gefahr schwerer Verletzungen oder Todesfälle zu verringern, müssen Sie diese Anleitung lesen und befolgen. Bewahren Sie diese Anleitungen auf, schauen Sie sie regelmäßig an und geben Sie sie an zukünftige Besitzer der Spielset weiter.

Herzlichen Glückwunsch zum Kauf eines KidKraft Produkts!

Unsere Artikel werden aus dem hochwertigen, beständigen Holz der Spießtanne (*Cunninghamia lanceolata*) gefertigt, die zur Familie der Zypressengewächse zählt.

Das Holz dieser Bäume ist für seine Leichtigkeit und seine außerordentliche Festigkeit bekannt. Dank seiner Porosität kann es Feuchtigkeit absorbieren, die dann über die Fasern verdunstet. Dadurch ist das Holz resistent gegen Fäulnis und Schädlingsbefall.

Damit die Kinder ganz unbekümmert spielen können, werden unsere Produkte rigorosen Tests unterzogen.

Darüber hinaus hat unser Team innovative Methoden entwickelt, durch die sich unsere Produkte mühelos zusammenbauen lassen. So bleibt noch mehr Zeit zum Spielen.

Falls Sie trotzdem einmal beim Aufbau nicht mehr weiter wissen, wenden Sie sich einfach an uns. Unser Kundenserviceteam hilft Ihnen gern bei fehlenden Teilen sowie bei Fragen zur Anleitung oder Wartung.



Warnungen und sichere Spielanleitungen

MONTINUIERLICHE AUFSICHT DURCH ERWACHSENE ERFORDERLICH. Die meisten Verletzungen und Todesfälle passierten an der Spielplatzanlage dann, wenn Kinder unbeaufsichtigt waren! Unsere Produkte sind so konzipiert, dass sie die vorgeschriebenen und freiwilligen Sicherheitsstandards erfüllen. Das Einhalten aller Warnungen und Empfehlungen dieser Anleitungen wird die Gefahr von Verletzungen oder Todesfällen bei Kindern verringern, die diesen Spielplatz benutzen. Gehen Sie mit Ihren Kindern regelmäßig die Warnungen und Anweisungen für ein sicheres Spielen durch und vergewissern Sie sich, dass sie sie verstanden haben und befolgen. Beachten Sie, dass für die Kinder aller Altersklassen ein beaufsichtigender Erwachsene präsent sein muss.



! WARNUNG

ERSTICKUNGSGEFAHR/SCHARFE KANTEN UND SPITZEN

Montage nur durch Erwachsene. Dieses Produkt kann Kleinteile und Teile mit scharfen Kanten und Spitzen enthalten. Teile von Kindern fernhalten, bis die Anlage komplett aufgebaut ist.

STRANGULIERUNGSGEFAHR

- Kindern NIE erlauben mit Seilen, Wäscheleinen, Hundeleinen, Kabeln, Ketten oder seilähnlichen Gegenständen zu Spielhaus, wenn sie diese Spielhaus benutzen oder diese Gegenstände an der Anlage anzubringen.
- Kindern NIE erlauben, lose Kleidung, Ponchos, Kapuzen, Schale, Halstücher, Gegenstände mit Spielhaus, Kordeln oder Krawatten zu tragen, wenn sie diese Spielhaus benutzen.
- Kindern NIE erlauben, Fahrrad- oder Sporthelme zu tragen, wenn sie diese Spielhaus benutzen.

Ein Nichtverbot dieser Gegenstände, einschließlich Helm mit Kinnriemen, erhöhen die Gefahr ernsthafter Verletzungen und Todesfällen von Kindern durch Erfassen und Strangulierung.

UMKIPPGEFAHR

Wählen Sie für die Anlage einen ebenen Platz aus. Dies kann die Wahrscheinlichkeit verringern, dass die Spielanlage umkippt und lockeres Oberflächenfüllmaterial durch starke Regenfälle weggespült wird.

NICHT Kinder im Spielhaus spielen lassen, bevor die Montage abgeschlossen ist.

! WARNUNG – Sichere Spielanleitungen

- ✓ Kinder dürfen bei Nutzung des Spielhauses keine locker sitzende Kleidung oder offene Schuhe tragen.
- ✓ Prüfen Sie, dass das Holz nicht abgesplittert, gebrochen oder rissig ist oder Metallteile fehlen, locker sitzen oder spitz oder scharfkantig sind. Ersetzen Sie diese gegebenenfalls vor dem Spiel, drehen Sie sie fest oder schleifen Sie sie ab.
- ✓ Ersetzen Sie defekte Bauteile entsprechend den Herstelleranweisungen.
- ✗ Kindern nicht erlauben, Schuhe mit freien Zehen oder freier Ferse wie Sandalen, Flip-Flops oder Clogs zu tragen.
- ✗ Erlauben Sie nicht, an der Anlage hochzuklettern, wenn diese nass ist.
- ✗ Raufereien oder die unsachgemäße Benutzung der Spielanlage untersagen. Auf dem Dach stehen, darauf klettern oder davonherunterspringen.

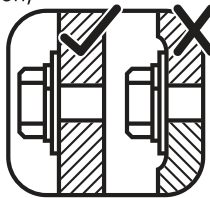
Ornungsgemäße Wartungsanleitungen

Ihre Spielanlage ist mit hochwertigen Materialien konzipiert und hergestellt, bei denen auf die Sicherheit Ihres Kindes geachtet wurde. Wie alle Produkte für Außenbereiche, die von Kindern benutzt werden, werden sie verwittern und verschleifen. Um die Freude, Sicherheit und Lebensdauer Ihrer Spielanlage zu maximieren, ist es wichtig, dass Sie sie als Besitzer korrekt warten.

Prüfen Sie die folgenden Punkte vor Saisonbeginn Während

EISENWAREN:

- ✓ Metallteile auf Rost überprüfen. Sofern vorhanden, abschleifen und mit einer bleifreien Farbe gemäß der Norm 16CFR 1303 neu streichen.
- ✓ Die gesamte Hardware inspizieren und anziehen. Bei Holzaufbauten NICHT ZU STARK ANZIEHEN, da das Holz sonst brechen oder absplittern kann.
- ✓ Auf scharfe Kanten oder hervorstehende Schraubenköpfe prüfen und gegebenenfalls Unterlegscheiben hinzufügen.



HOLZTEILE:

- ✓ Alle Holzteile auf Verschleiß, strukturelle Beschädigung und Absplittierungen überprüfen. Spreißel wegschleifen und verschlissene Holzteile ersetzen. Wie bei jedem Holz sind eine Karorissbildung und kleine Risse in der Maserung normal. Ungeschützt werden sie mit der Zeit verwittern.
- ✓ Die jährliche Anwendung eines wasserabweisenden Mittels oder einer (wasserbasierten) Lasur ist für eine lange Lebensdauer des Produkts sehr wichtig.

Während der Spielsaison folgendes zweimal pro Monat überprüfen:

EISENWAREN:

- ✓ Auf Festigkeit überprüfen. Sie muss fest am Holz anliegen, aber nicht brechen. NICHT ZU FEST ANZIEHEN. Dies führt zu einem Absplittern des Holzes.
- ✓ Auf scharfe Kanten oder hervorstehende Schraubenköpfe prüfen. Gegebenenfalls Unterlegscheiben hinzufügen

Wenn Sie Ihre Spielhaus entsorgen: Bitte bauen Sie sie auseinander und entsorgen Ihre Anlage, damit bei der Entsorgung keine übermäßige Gefahren entstehen. Vergewissern Sie sich, Ihre örtlichen Müllbestimmungen zu befolgen.

Tipps für einen erfolgreichen Aufbau

Benötigtes Werkzeug

<ul style="list-style-type: none"> • Wasserwaage • Winkelmaß 	<ul style="list-style-type: none"> • Klauenhammer • Metermaß • #1, #2 und #3 Phillips oder Robertson Bohraufsätze oder Schraubendreher 	<ul style="list-style-type: none"> • Standard- oder Akkubohrer • Bleistift 	<ul style="list-style-type: none"> • Schutzbrille • Hilfe anderer Erwachsener
--	---	--	---

Teileidentifikation

Auf jeder Seite sind die Teile und die Stückzahl aufgeführt, die für den entsprechenden Schritt benötigt werden. Hier ein Beispiel.



Symbole

Die Symbole in dieser Anleitung dienen als wichtige Erinnerung für einen ordnungsgemäßen und sicheren Aufbau.

<p>Dieses Symbol markiert Informationen, die besondere Aufmerksamkeit benötigen. Eine ungeeignete Vorgehensweise kann zu unsicheren oder gefährlichen Situationen führen.</p>	<p>Stellen Sie sicher, dass das Set oder die Baugruppe ordnungsgemäß zusammengebaut ist, bevor Sie fortfahren.</p> <p>Wasserwaage verwenden</p>
<p>Mehrere Personen erforderlich</p> <p>Mehrere Personen erforderlich</p> <p>Dieses Symbol zeigt an, dass für die sichere Ausführung dieses Schrittes 2 oder 3 Personen erforderlich sind. Bitten Sie um Hilfe, damit Sie sich nicht verletzen oder die Bauteile beschädigen.</p>	<p>Bohren Sie die Löcher mit einem 3,2-mm- und einem 4,8-mm-Bohrer vor</p> <p>Bohren Sie alle Löcher für Holzschrauben nach, damit das Holz nicht splittet.</p>
<p>Entfernung messen</p> <p>Prüfen Sie, dass die Bauteile sich im rechten Winkel zueinander befinden, bevor Sie die Schrauben festziehen.</p> <p>Verwenden Sie ein Metermaß, um die Bauteile an der richtigen Stelle anzubringen.</p>	<p>Schrauben festziehen</p> <p>Dieses Symbol zeigt an, dass die Schrauben nun festgezogen werden können – aber bitte nicht zu fest! Zerdrücken Sie nicht das Holz. Das könnte Splitter und strukturelle Schäden verursachen.</p>
<p>Aufbau im rechten Winkel</p>	

ACHTUNG - Teile können herausragen

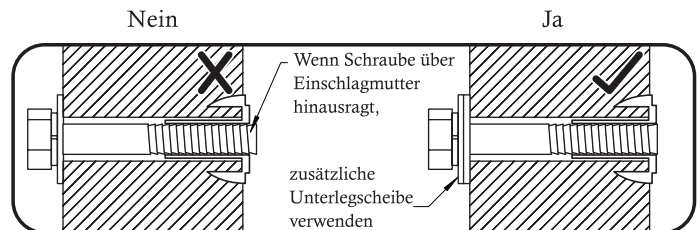
Achten Sie nach Festdrehen der Bauteile auf herausragende Schraubenspitzen. Sollte eine Schraubenspitze über die Einschlagmutter herausragen, drehen Sie sie heraus und legen Sie weitere Unterlegscheiben unter, bis das Problem behoben ist. Zu diesem Zweck werden zusätzliche Unterlegscheiben mitgeliefert.

Korrekte Befestigung der Metallteile

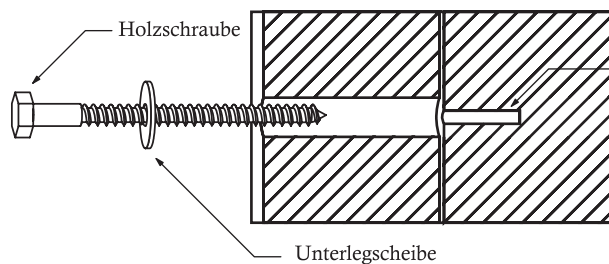
Bohren Sie eine kleine Vertiefung in das Holz, bevor Sie die Holzschraube einfügen, um somit das Splintern zu vermeiden. Es wird nur eine Unterlegscheibe benötigt. Für leichteres Einführen der Holzschrauben empfehlen wir, flüssige Seife zu verwenden.

Schlagen Sie die Einschlagmuttern der Schrauben vorsichtig mit einem Hammer in das Loch. Ziehen Sie zuerst die Sicherungs- und dann die Unterlegscheibe durch die Sechskantschraube und fügen Sie diese anschließend ins Loch ein. Da die Teile im rechten Winkel zueinander stehen müssen, ziehen Sie die Schrauben erst fest, wenn Sie in den Anweisungen dazu aufgefordert werden. Achten Sie genau auf den Durchmesser der Schrauben. 7,9 mm wirkt beispielsweise nur leicht größer als 6,4 mm.

Hinweis: Tellerkopfschrauben mit einer blauen Sicherung oder Schrauben mit Nylok bedürfen KEINER Sicherungsscheibe.

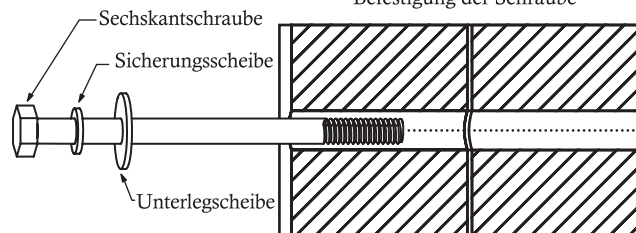


Befestigung der Holzschraube



Vor der Befestigung einer Holzschraube die bereits vorhandenen Löcher mit einem Bohrer mit einem Durchmesser von 3,2 mm nachbohren

Befestigung der Schraube



Einschlagmutter (Mit dem Hammer festschlagen) Nicht das Holz beschädigen!

UNSER HOLZ

KidKraft verwendet bei Spielanlagen nur Premiumhölzer und gewährleistet die Produktsicherheit, damit sie von Kindern benutzt werden können. Obwohl wir bei der Auswahl der verfügbaren Hölzer der besten Qualität sehr sorgfältig handeln, ist Holz immer noch ein Naturprodukt, das verwittern und das Erscheinungsbild Ihrer Spielanlage verändern kann.

Was führt zu Verwitterung? Hat dies Auswirkungen auf die Belastbarkeit meines Spielsets?

Die Verwitterung wird hauptsächlich von Wasser (Feuchtigkeit) hervorgerufen – die Oberfläche und das Innere des Holzes weisen einen unterschiedlichen Feuchtigkeitsgrad auf. Wenn sich das ändert, dringt die Feuchtigkeit in das Holz bzw. aus dem Holz heraus. Dabei entsteht Spannung, die Risse oder Verziehungen verursachen kann. Die Verwitterung kann zu folgenden Änderungen führen, die aber nicht die Belastbarkeit des Produkts beeinträchtigen:

1. **Risse** sind oberflächliche Spalten, die parallel zur Holzfaser verlaufen. Risse treten eher bei Balken (10 x 10 cm) als bei Brettern (2,5 x 10 cm) auf, da bei dickerem Holz der Feuchtigkeitsgehalt im Inneren stärker von dem an der Oberfläche abweicht.
2. **Verziehungen** ergeben sich durch jegliche Verformung (Drehung, Verkrümmung) der ursprünglichen Oberfläche des Holzbretts und treten oftmals bei schnellem Befeuchten und Trocknen des Holzes auf.
3. Das **Verblässen** ist eine natürliche Änderung der Farbe, wenn das Holz dem Sonnenlicht ausgesetzt ist. Das Holz nimmt im Laufe der Zeit einen grauen Farbton an.

Wie kann ich mein Spielset vor zu schneller Verwitterung schützen?

Wir haben das Holz in der Fabrik mit einer wasserabweisenden Schutzschicht oder Beize versehen. Diese Schicht verringert die Wasseraufnahme bei Regen oder Schnee und folglich die Spannung im Holz. Sonnenlicht beschädigt diese Schicht im Laufe der Zeit. Wie empfohlen daher, das Holz jährlich erneut mit einem wasserabweisenden Lack oder Beize zu behandeln. Geeignete Produkte finden Sie bei einem Fachhändler vor Ort.

Die Verwitterung ist ein natürlicher Prozess und beeinträchtigt nicht die Sicherheit des Spielsets und den Spielspaß für Ihr Kind. Wenn ein Teil Ihrer Meinung nach zu sehr verwittert ist, hilft Ihnen unser Kundendienst gerne weiter.

Schicken Sie uns bitte das ausgefüllte Registrierungsformular zu, damit wir Ihnen wichtige Produktmitteilungen senden und einen umgehenden Garantieservice bieten können.

Eingeschränkte Garantie von KidKraft

FEHLENDE ODER BESCHÄDIGTE TEILE:

KidKraft wird innerhalb von 90 Tagen nach Kaufdatum alle Teile ersetzen, die in der Originalverpackung fehlen oder beschädigt sind. Siehe Abb. 1

Abb. 1	<u>Produktalter (alle Teile)</u>	<u>Kunde zahlt</u>
	0–90 Tage seit Kaufdatum	0 USD für Teile + kostenloser Versand

FEHLER IN MATERIAL UND VERARBEITUNG:

KidKraft garantiert, dass dieses Produkt für einen Zeitraum von einem (1) Jahr ab dem ursprünglichen Kaufdatum frei von Material- und Verarbeitungsfehlern ist (datierter Kaufbeleg und/oder Produkt-Registrierung erforderlich). Diese Garantie über ein (1) Jahr deckt alle Teile ab, darunter Holz-, Metall- und Zubehörteile (z. B. Schaukeln, Spielgeräte und Rutschen). Siehe Abb. 2

Abb. 2	<u>Produktalter (alle Teile)</u>	<u>Kunde zahlt</u>
	91 Tage bis 1 Jahr	0 USD für Teile + kostenloser Versand

HOLZFÄULE UND -VERFALL SOWIE SCHÄDLINGSBEFALL:

Alle Holzteile unterliegen einer Garantie von fünf (5) Jahren gegen Holzfäule und -Verfall sowie Schädlingsbefall (datierter Kaufbeleg und/oder Produkt-Registrierung erforderlich). In der unten stehenden Übersicht sehen Sie die Kosten für den Ersatz von Holzteilen unter dieser **Eingeschränkten Garantie**. Siehe Abb. 3

Abb. 3	<u>Produktalter (Holzteile)</u>	<u>Kunde zahlt</u>
	0 Tage bis 1 Jahr	0 USD für Teile + kostenloser Versand
	Nach 1 Tag bis 5 Jahren	0 USD für Teile + Versand und Bearbeitung
	Nach mehr als 5 Jahren	100% für Teile (sofern verfügbar) + Versand und Bearbeitung

Diese Garantie gilt für den ursprünglichen Eigentümer, der das Produkt registriert, und ist nicht übertragbar. Regelmäßige Wartung ist notwendig, um die Integrität des Produkts zu bewahren. Sollte der Eigentümer das Produkt nicht gemäß der Wartungsbedingungen pflegen, kann diese Garantie erlöschen.

Diese begrenzte Garantie schließt Folgendes NICHT ein:

- Kosten für Inspektionen
- Arbeitskosten und/oder Kosten für den Ersatz von schadhafte Teilen, einschließlich aber nicht beschränkt auf: Kosten für professionelle Installation
- Neben- oder Folgeschäden, einschließlich aber nicht beschränkt auf Kosten für Verlegung, Umzug und/oder erneute Installation
- Ästhetische Mängel, welche die Leistung oder Integrität eines Teils oder ganzen Produkts nicht beeinträchtigen
- Vandalismus, unsachgemäße Nutzung oder Installation, höhere Gewalt, einschließlich aber nicht beschränkt auf starken Wind, Feuer und Überschwemmungen
- geringfügiges Verdrehen, Verziehen, Reißen oder natürlich auftretende Eigenschaften von Holz, welche die Leistung oder Integrität nicht beeinträchtigen.
- Alle KidKraft-Produkte, einschließlich aber nicht beschränkt auf Händler ohne Genehmigung, Auktionshäuser, Second-Hand-Geschäfte und „wie besehen“ im Ausverkauf erworbene Produkte.

Bei den Produkten von KidKraft stehen Sicherheit und Qualität im Mittelpunkt. Alle Änderungen am Originalprodukt können seine strukturelle Integrität beeinträchtigen, was zu Schäden und möglichen Verletzungen führen kann. KidKraft übernimmt keine Haftung für modifizierte Produkte. Bei Modifikationen am Produkt verfallen jegliche Garantien.

Die Garantie für dieses Produkt gilt **NUR FÜR DIE PRIVATE NUTZUNG**. Unter keinen Umständen dürfen Produkte von KidKraft in öffentlichen Bereichen wie Schulen, Kirchen, Spielplätzen, Parks, Kindergärten und dergleichen verwendet werden. Eine derartige Nutzung kann zu Produktversagen und Verletzungen führen. Die Garantie verfällt umgehend, wenn dieses Produkt öffentlich genutzt wird. KidKraft erteilt keinerlei weiteren ausdrücklichen oder stillschweigenden Garantien oder Zusicherungen.

Bitte bewahren Sie diese Informationen so auf, dass Sie bei Bedarf auf sie zurückgreifen können.

- Batterien dürfen nur von Erwachsenen eingelegt und ausgetauscht werden.
- Nicht-aufladbare Batterien dürfen nicht wieder aufgeladen werden.
- Die Aufladung von aufladbaren Batterien darf nur unter Aufsicht von Erwachsenen erfolgen.
- Es dürfen nur Batterien des gleichen oder entsprechenden Typs verwendet werden.
- Batterien müssen gemäß den Polungszeichen korrekt einlegt werden.
- Verbrauchte Batterien bitte nicht im Spielzeug belassen und korrekt entsorgen.
- Die Anschlussklemmen dürfen nicht kurzgeschlossen werden.
- Ungleiche Batterietypen sowie neue und gebrauchte Batterien dürfen nicht zusammen verwendet werden.
- **WARNUNG: BATTERIEN FÜR KINDER UNZUGÄNGLICH AUFBEWAHREN**
- Bei Verschlucken von Batterien kann es innerhalb von nur zwei Stunden zu schweren Verletzungen aufgrund von Verätzungen oder Durchbruch der Speiseröhre kommen, die unter Umständen zum Tod führen können.
- Wenn Sie glauben, dass Ihr Kind eine Knopfatterie verschluckt oder anderweitig in den Körper eingeführt hat, suchen Sie umgehend einen Arzt auf.
- Prüfen Sie batteriebetriebene Geräte und achten Sie darauf, dass das Batteriefach stets korrekt verschlossen ist. Die Schrauben oder anderen mechanischen Verschlüsse müssen sicher angebracht sein. Verwenden Sie das Gerät nicht, wenn das Batteriefach nicht sicher verschlossen werden kann.
- Gebrauchte Knopfzellen sind umgehend und sicher zu entsorgen. Auch leere Batterien können eine Gefahr darstellen.
- Informieren Sie andere über die Risiken im Zusammenhang mit Knopfzellen und darüber, wie sie ihre Kinder schützen können.
- Alkaline-, Standard- (Zinkkohle)- und aufladbare Batterien dürfen NICHT zusammen verwendet werden.
- Stellen Sie sicher, dass Sie die neuen Batterien mit dem (+)-Pol nach oben einsetzen.
- Wiederaufladbare Batterien müssen aus dem Batteriefach des Spielzeugs genommen werden, bevor sie aufgeladen werden.
- Laut EU-Richtlinien müssen verbrauchte Batterien getrennt entsorgt werden, sodass sie auf die beste Art und Weise verwertet und recycelt werden können. Dies reduziert die Auswirkungen auf die Umwelt und die Gesundheit, sowie Wasserverunreinigung durch gefährliche Substanzen. Desweiteren werden weniger Ressourcen benötigt um neue Produkte herzustellen und Deponieraum kann eingespart werden.
- Batterien oder Akku-Packs müssen ordnungsgemäß recycelt werden. Wenn die Batterien ihr Lebensende erreicht haben, dürfen sie nicht im Hausmüll entsorgt werden.
- Bitte leisten auch Sie Ihren Beitrag indem Sie die leeren Batterien nicht in die kommunale Abfallentsorgung gelangen lassen.
- **WARNUNG:** Gebrauchte Knopfzellen sind umgehend zu entsorgen. Halten Sie neue und gebrauchte Batterien von Kindern fern. Wenn Sie glauben, dass eine Batterie verschluckt oder anderweitig in den Körper eingeführt wurde, suchen Sie umgehend einen Arzt auf.

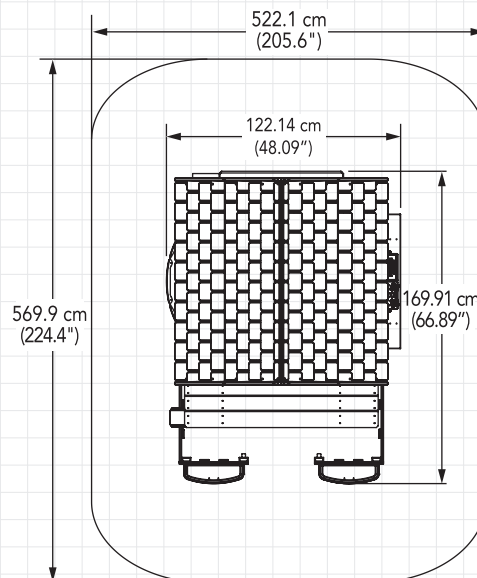
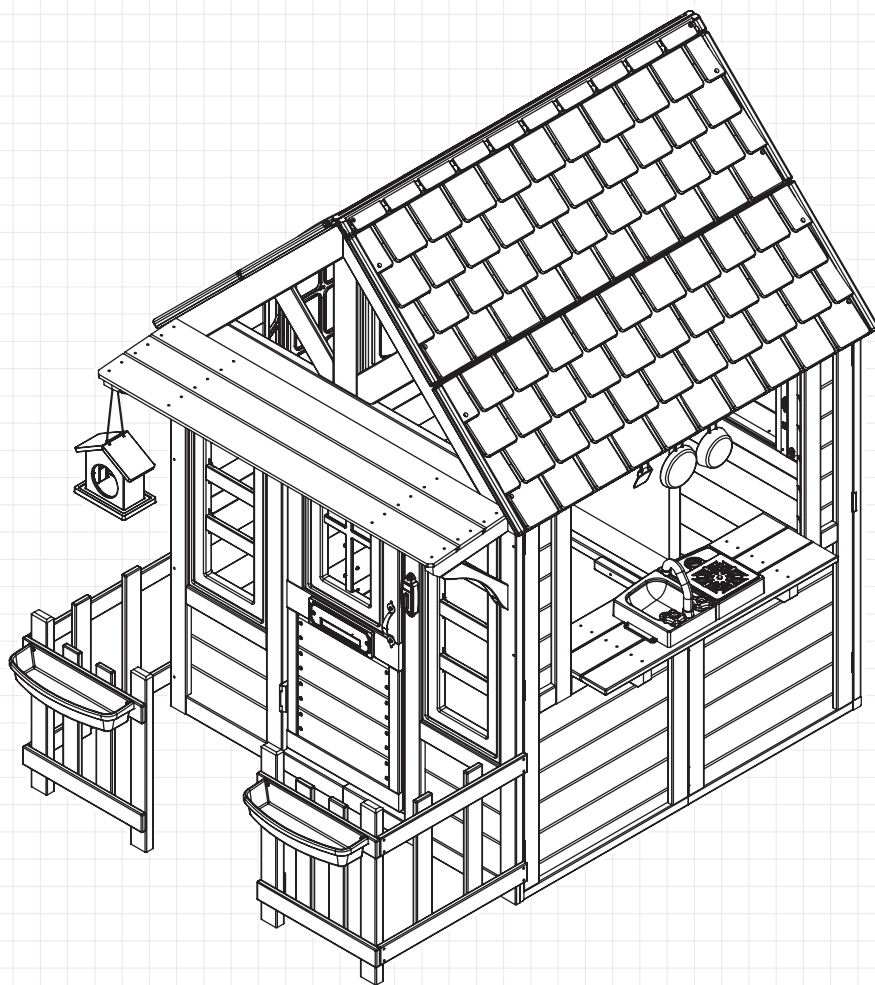
CASSETTA DA GIOCO RIVERSCAPE



ZONA DI SICUREZZA PRIVA DI OSTACOLI - 522.1 cm x 569.9 cm (205.6" x 224.4")

CAPACITÀ - 6 utenti massimo, da 3 a 10 anni.

SOLO PER USO DOMESTICO. Non idoneo in aree pubbliche come scuole, chiese, asili, asili nido o parchi.



ISTRUZIONI PER L'INSTALLAZIONE E IL FUNZIONAMENTO

PER LA SOSTITUZIONE DELLE PARTI ONLINE 24 ORE SU 24, 7 GIORNI SU 7

parts.kidkraft.com

Backyard Kids, LLC DBA KidKraft
 317 S. Main St.
 Ann Arbor, MI 48104

customerservice@kidkraft.com
 1.800.933.0771
 972.385.0100

Rev 11/05/2024

AVVERTENZA

Per ridurre il rischio di grave infortunio o morte, leggere le seguenti istruzioni. Conservare e fare spesso riferimento a queste istruzioni e fornirle a qualsiasi futuro proprietario di questo set da gioco.

Congratulazioni per l'acquisto di un prodotto KidKraft!

I nostri articoli sono realizzati in legno di Cunninghamia Lanceolata, resistente e di alta qualità, della famiglia del cipresso.

Il legname di questi alberi è noto per la sua leggerezza e l'eccellente forza. La porosità di questo legno consente di assorbire l'umidità, che evapora nelle fibre per garantire resistenza al marciume e agli insetti.

Studiati per assicurare fantastici momenti di gioco, i nostri prodotti sono sottoposti anche a test di sicurezza approfonditi.

Inoltre, il nostro team ha sviluppato una serie di metodi brevettati per un montaggio più semplice e organizzato. Il nostro motto è: meno tempo per costruire, più tempo per giocare!

Tuttavia, in caso di domande o dubbi durante il montaggio, invitiamo a contattarci. Il nostro Servizio clienti potrà essere d'aiuto per parti mancanti, istruzioni o manutenzione.



Avvertenze e istruzioni per giocare in sicurezza

DA UTILIZZARSI SOTTO LA CONTINUA SUPERVISIONE DEGLI ADULTI. La maggior parte degli incidenti e delle morti di bambini su attrezzature da gioco si è verificata in assenza di supervisione da parte di un adulto! I nostri prodotti sono ideati al fine di soddisfare standard di sicurezza obbligatori e facoltativi.

Il rispetto delle avvertenze e delle raccomandazioni indicate all'interno delle presenti istruzioni contribuirà a ridurre il rischio di lesioni gravi o letali nei bambini che utilizzano l'attrezzatura da gioco. Rileggere attentamente e frequentemente le avvertenze e le istruzioni con i bambini per un gioco sicuro e assicurarsi che le abbiano comprese e che le rispettino. Si ricorda che è necessaria la supervisione in loco di un adulto per bambini di tutte le età.



AVVERTENZE

PERICOLO DI SOFFOCAMENTO/SPIGOLI VIVI E PUNTE

È richiesto il montaggio da parte di un adulto. Il presente prodotto contiene parti di piccole dimensioni e parti dotate di spigoli vivi e punte. Tenere le parti fuori dalla portata dei bambini, finché non sono state completamente montate.

PERICOLO DI STRANGOLAMENTO

- **MAI** permettere ai bambini di giocare con corde, fili stendibiancheria, guinzagli per animali, catene od oggetti simili a corde in caso di utilizzo di questo set da gioco, né di fissarvi tali oggetti.
- **MAI** permettere ai bambini di indossare indumenti troppo larghi, poncho, cappucci, sciarpe, mantelle, collane, articoli dotati di lacci, corde o cinghie in caso di utilizzo di questo set da gioco.
- **MAI** permettere ai bambini di indossare caschi da ciclismo o sportivi in caso di utilizzo di questo set da gioco.

Il mancato divieto di questi oggetti, compresi i caschi con cinturini sottogola, comporta un maggiore rischio di lesioni e morte per i bambini a causa di intrappolamento o strangolamento.

PERICOLO DI RIBALTAMENTO

Scegliere una superficie piana per l'attrezzatura. Tale fattore riduce le probabilità di ribaltamento del set da gioco e la perdita dei materiali di rivestimento durante le forti piogge.

NON consentire ai bambini di giocare con il set da gioco fino al suo completo montaggio.

POSIZIONAMENTO

Posizionare il prodotto su una superficie piana a una distanza di almeno 2 m da qualsiasi struttura od ostacolo, tra cui recinti, garage, case, rami sporgenti, corde per il bucato o cavi elettrici.

AVVERTENZE – Istruzioni per giocare in sicurezza

- ✓ Fare in modo che i bambini indossino calzature ben aderenti e che ricoprano i piedi per intero.
- ✓ Verificare l'assenza di legno scheggiato, rotto o incrinato, nonché di componenti metallici appuntiti, mancanti, allentati o taglienti. Sistemare, fissare e/o appianare come necessario prima di iniziare a giocare.
- ✓ Sostituire le parti difettose seguendo le istruzioni del produttore.
- ✗ Non consentire ai bambini di indossare calzature aperte o con tacchi quali sandali, infradito o zoccoli.
- ✗ Non consentire ai bambini di arrampicarsi sull'attrezzatura quando quest'ultima è bagnata.
- ✗ Non consentire ai bambini di giocare in modo violento o di usare l'attrezzatura in modo diverso da quello per cui è prevista. Non consentire ai bambini di stare in piedi, arrampicarsi o saltare dal tetto.

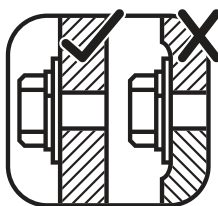
Istruzioni per una corretta manutenzione

L'attrezzatura da gioco Cedar Summit è ideata e costruita con materiali di qualità per la sicurezza dei vostri bambini. Come tutti gli altri prodotti da esterno usati dai bambini, è soggetta a erosione e usura. Per un maggiore divertimento, sicurezza e durata del set da gioco, è importante che, in qualità di proprietari, la si conservi adeguatamente.

Verificare i seguenti elementi all'inizio della stagione in cui si gioca:

COMPONENTI MECCANICI:

- ✓ Verificare che le parti in metallo non siano arrugginite. In questo caso, carteggiare e riverniciare con una vernice priva di piombo 16 CFR 1303.
- ✓ Ispezionare e fissare tutti i componenti metallici. **NON SERRARE ECCESSIVAMENTE** le parti in legno poiché tale azione potrebbe provocare la rottura o la scheggiatura del legno.
- ✓ Verificare la presenza di spigoli vivi o di filettature sporgenti delle viti e, se necessario, applicare delle rondelle.



PARTI IN LEGNO:

- ✓ Verificare che non vi siano parti in legno deteriorate, con danni strutturali o scheggiate. Carteggiare le schegge e sostituire le parti in legno deteriorate. Come per tutti i materiali in legno, è normale la presenza di screpolature o di piccole crepe nella venatura.
- ✓ L'applicazione di un idrorepellente o antimacchia (a base di acqua) una volta l'anno è importante al fine di garantire durata e prestazioni ottimali del prodotto.

Controllare due volte al mese durante la stagione in cui si gioca:

COMPONENTI MECCANICI:

- ✓ Controllare la tenuta. Devono essere ben fissati al legno ma non tanto da romperlo. **NON SERRARE ECCESSIVAMENTE.** Tale azione potrebbe causare la scheggiatura del legno.
- ✓ Verificare la presenza di spigoli vivi o di filettature sporgenti delle viti. Se necessario, aggiungere delle rondelle.

Se si desidera smaltire il set da gioco: Smontare e disfarsi dell'unità in modo che non costituisca un pericolo irragionevole al momento di smaltirla. Assicurarsi di rispettare le ordinanze locali in materia di smaltimento.

Elementi per un montaggio perfetto

Attrezzi necessari

<ul style="list-style-type: none"> • Livella da falegname • Squadra da falegname 	<ul style="list-style-type: none"> • Martello a granchio • Metro a nastro • Cacciavite Phillips N. 1, Robertson N. 2 	<ul style="list-style-type: none"> • Trapano avvitatore standard o a batteria • Matita 	<ul style="list-style-type: none"> • Occhiali protettivi • Aiutanti adulti
--	---	--	--

Elementi per l'identificazione delle parti
In ciascuna pagina vengono indicate le parti e quantità necessarie per completare la fase di montaggio illustrata in tale pagina. Segue un esempio.



Simboli

Nelle presenti istruzioni sono presenti simboli che agiscono da promemoria per un montaggio sicuro e corretto.

<p>Indica informazioni che richiedono particolare attenzione. Un montaggio errato può determinare condizioni di mancata sicurezza o di pericolo.</p>	<p>Verificare che il set o la struttura siano livellati prima di procedere.</p> <p>Punta per trapano da 3,2 mm e 4,8 mm per pre-foratura</p> <p>Eseguire un foro pilota prima di serrare la vite o la vite lag per evitare la rottura del legno.</p>	<p>Usare la livella</p>
<p>Chiedere aiuto</p> <p>Chiedere aiuto</p> <p>Questa figura indica la necessità di 2 o 3 persone per completare questa fase in sicurezza. Per evitare incidenti o danni alla struttura, chiedere aiuto.</p>	<p>Misurare la distanza</p> <p>Verificare che la struttura sia in squadra prima di serrare i bulloni.</p> <p>Montaggio in squadra</p> <p>Usare un metro a nastro per un posizionamento adeguato.</p>	<p>Serrare i bulloni</p> <p>Questa figura indica la possibilità di serrare i bulloni, ma non in maniera eccessiva. Non rompere il legno. Tale azione potrebbe provocare scheggiature e danni strutturali.</p>

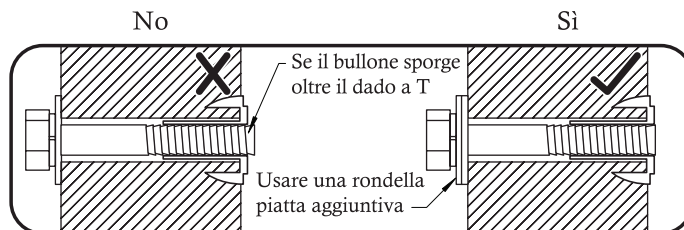
ATTENZIONE: pericolo di sporgenza

Una volta serrata la struttura, verificare che non siano presenti fili esposti. Se una filettatura sporge dal dado a T, rimuovere il bullone e aggiungere rondelle per eliminare tale anomalia. A tale scopo sono state fornite rondelle aggiuntive.

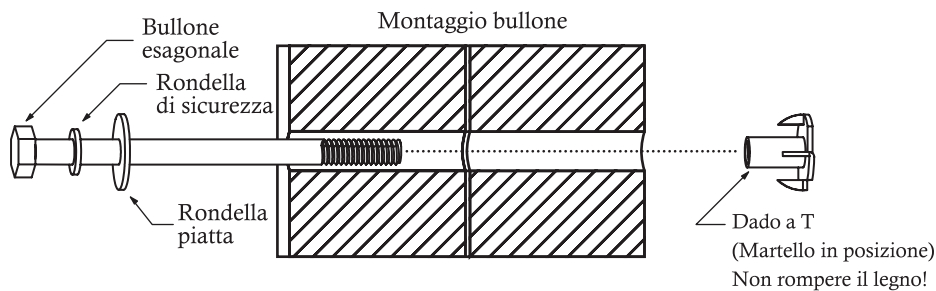
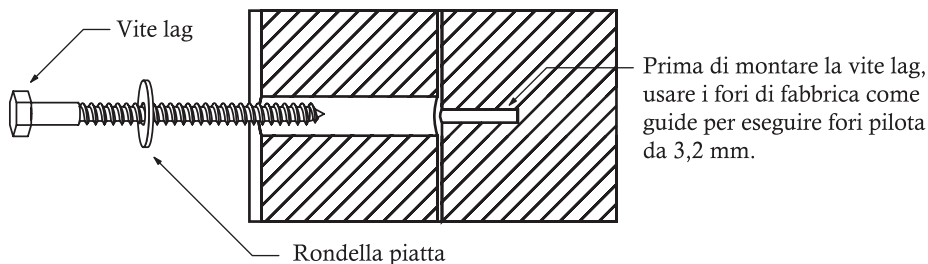
Montaggio corretto dei componenti meccanici. Per evitare la spaccatura del legno, eseguire fori pilota per le viti lag. È necessaria una sola rondella piatta. Per una facile installazione, usare sapone liquido su tutti i tipi di viti a testa quadra per legno.

Per i bulloni, inserire il dado a T nel foro servendosi di un martello. Inserire prima il bullone esagonale nella rondella di sicurezza, quindi la rondella piatta e infine eseguire il foro. Poiché le strutture devono essere squadrate, non serrare completamente fino a quando non sarà necessario. Prestare attenzione al diametro dei bulloni. La misura di 7,9 mm è leggermente più ampia rispetto a 6,3 mm.

Nota: i bulloni a testa piatta con frenafili blu o i bulloni con dado Nyloc NON richiedono una rondella di sicurezza.



Montaggio di una vite lag



Il nostro legno

Le attrezzature da gioco KidKraft Premium utilizzano legno 100% FSC. Pur essendo molto scrupolosi nella selezione della migliore qualità dei legnami disponibili, il legno resta un della naturale soggetto a erosione, un processo che può modificare l'aspetto dell'attrezzatura.

Quali fattori causano il deterioramento? Il deterioramento influisce sulla resistenza dell'attrezzatura da gioco?

Una delle principali cause di deterioramento è costituita dagli effetti dell'acqua (umidità): il contenuto di umidità del legno in superficie è diverso da quello presente all'interno di tale materiale. Con i cambiamenti atmosferici, l'umidità si infila o fuoriesce dal legno, causando tensione, screpolature o deformazioni. Il deterioramento può provocare le seguenti conseguenze. Tali variazioni non influiscono sulla resistenza del prodotto:

1. **La screpolatura** è costituita da crepe in superficie lungo la venatura del legno. Un palo (101,6 mm x 101,6 mm) sarà maggiormente soggetto a screpolatura rispetto a una tavola (25,4 mm x 101,6 mm) poiché il contenuto di umidità in superficie e all'interno varia maggiormente rispetto al legno più sottile.
2. **Le deformazioni** sono conseguenza di una distorsione (torsione, imbarcamento) del piano originale dell'asse e si verificano bagnando e asciugando rapidamente il legno.
3. **Lo scolorimento** si verifica a causa delle mutazioni naturali del colore del legno esposto alla luce solare. Il legno assumerà un colore grigiastro con il tempo.

In che modo è possibile ridurre il deterioramento dell'attrezzatura da gioco?

In fabbrica abbiamo rivestito il legno con un idrorepellente o antimacchia. Tale rivestimento consente di ridurre la quantità di acqua assorbita durante i periodi di pioggia o neve, diminuendo la tensione all'interno del legno. La luce solare tenderà a deteriorare il rivestimento e occorre quindi applicare un idrorepellente o antimacchia ai fini della conservazione. Informarsi presso un rivenditore locale di prodotti come antimacchia o vernici per ottenere indicazioni sui prodotti.

Di solito, il deterioramento è una conseguenza dei fenomeni naturali e non influirà sulla sicurezza del gioco né sul divertimento dei bambini. Tuttavia, se si ritiene che una parte abbia subito un grave deterioramento, contattare il nostro dipartimento delle relazioni con il cliente per ulteriore assistenza.

Compilare e inoltrare la scheda di registrazione per ricevere importanti notifiche sul prodotto e un rapido servizio di garanzia.

Garanzia limitata di KidKraft

PARTI DANNEGGIATE O MANCANTI:

KidKraft sostituirà entro 90 giorni dalla data di acquisto qualsiasi parte mancante o danneggiata nella confezione originale. Vedere la fig. 1

Fig. 1	<u>Età del prodotto (Tutte le parti)</u>	<u>Il cliente pagherà</u>
	Da 0 a 90 giorni dalla data di acquisto	\$0 per parte + spedizione gratuita

DIFETTI DI MATERIALE O LAVORAZIONE:

KidKraft garantisce che il prodotto in questione è privo di difetti di materiale e lavorazione per un periodo di un (1) anno a partire dalla data originale di acquisto (sono richieste la ricevuta d'acquisto e/o la registrazione del prodotto con la data). La presente garanzia di un (1) anno copre tutte le parti comprese il legno, i componenti meccanici e tutti gli accessori (come altalene, giostre e scivoli). Vedere la fig. 2

Fig. 2	<u>Età del prodotto (Tutte le parti)</u>	<u>Il cliente pagherà</u>
	Da 91 giorni a 1 anno	\$0 per parte + spedizione gratuita

DANNI DOVUTI A MARCESCENZA, DECOMPOSIZIONE DEL LEGNO E CAUSATI DA INSETTI:

Tutte le parti in legno sono garantite cinque (5) anni per i danni dovuti a marcescenza, decomposizione del legno e causati da insetti (sono richieste la ricevuta d'acquisto e/o la registrazione del prodotto con la data). Fare riferimento alla tabella di seguito per i costi relativi alla sostituzione delle parti in legno ai sensi della presente **Garanzia limitata**. Vedere la fig. 3

Fig. 3	<u>Età del prodotto (parti in legno)</u>	<u>Il cliente pagherà</u>
	Da 0 giorni a 1 anno	\$0 per parte + spedizione gratuita
	Da dopo 1 anno a 5 anni	\$0 per parte + spedizione e gestione
	Dopo 5 anni	100% per parte (se disponibile) + spedizione e gestione

La presente garanzia si applica al proprietario originale e al soggetto registrato e non è trasferibile. Al fine di garantire l'integrità del prodotto è necessaria una manutenzione periodica. Il mancato rispetto delle operazioni di manutenzione del prodotto da parte del proprietario secondo i requisiti di manutenzione può comportare l'annullamento della garanzia.

La presente garanzia limitata NON copre:

- Eventuali costi di ispezione
- Lavori e/o costi per la sostituzione di eventuali articoli difettosi, tra cui costi di installatori professionisti
- Danni incidentali o consequenziali, tra cui quelli dovuti al ricollocamento, spostamento e/o reinstallazione del set
- Difetti estetici che non influiscono sulle prestazioni o sull'integrità di una parte o dell'intero prodotto
- Vandalismo, uso o installazione impropri, fenomeni naturali, tra cui vento forte, incendio e alluvione
- Lievi fenomeni di torsione, deformazione, screpolatura o altri fenomeni di origine naturale del legno che non influiscono sulle prestazioni o sull'integrità del prodotto
- Qualsiasi prodotto KidKraft acquistato presso un rivenditore non approvato, case d'asta, come articolo di seconda mano e in liquidazione.

I prodotti KidKraft sono stati ideati secondo standard di sicurezza e qualità. Modifiche apportate al prodotto originale potrebbero danneggiare l'integrità strutturale dell'unità, con conseguenti guasti e possibili incidenti. KidKraft declina ogni responsabilità in merito ai prodotti modificati. Inoltre, le modifiche apportate invalidano qualsiasi tipo di garanzia.

Il presente prodotto è coperto da garanzia per l'**USO ESCLUSIVO IN AMBIENTI RESIDENZIALI**. In nessun caso alcun prodotto KidKraft deve essere usato in ambienti pubblici quali scuole, chiese, campi da gioco, parchi, case famiglia, asili nido e simili. Tale uso può comportare guasti al prodotto e potenziali incidenti. Tutti gli usi in ambienti pubblici comporteranno l'annullamento della presente garanzia. KidKraft declina qualsivoglia dichiarazione o garanzia di qualsiasi altra natura, sia essa espressa o implicita.

Istruzioni e garanzia della batteria

Questo dispositivo è conforme alla parte 15 delle norme FCC. L'operazione è soggetta alle seguenti due condizioni:

(1) Questo dispositivo non può causare interferenze dannose e (2) questo dispositivo deve accettare qualsiasi interferenza ricevuta, incluse quelle che potrebbero causare un funzionamento indesiderato.

NOTA: Questa apparecchiatura è stata testata e trovata conforme ai limiti per i dispositivi digitali di classe B, in conformità alla parte 15 delle norme FCC. Questi limiti sono ideati per fornire una protezione ragionevole contro interferenze dannose in un'installazione residenziale. Questa apparecchiatura genera, utilizza e può irradiare energia in radiofrequenza e, se non installata e utilizzata secondo le istruzioni, può causare interferenze dannose alle comunicazioni radio. Tuttavia, non vi è alcuna garanzia che non si verifichino interferenze in una particolare installazione. Se questa apparecchiatura causa interferenze dannose alla ricezione radio o televisiva, che possono essere determinate spegnendo e riaccendendo l'apparecchiatura, si consiglia di provare a correggere l'interferenza adottando una o più delle seguenti misure:

- Riorientare o riposizionare l'antenna ricevente.
- Aumentare la distanza tra l'apparecchiatura e il ricevitore.
- Collegare l'apparecchiatura a una presa su un circuito diverso da quello a cui è collegato il ricevitore.
- Consultare il rivenditore o un tecnico radio/TV esperto per assistenza.

Nota: Cambiamenti o modifiche non espressamente approvati dal produttore responsabile della conformità potrebbero annullare l'autorizzazione dell'utente a utilizzare l'apparecchiatura.

Si prega di conservare le informazioni su questo pacchetto per riferimento futuro.

- Le batterie devono sempre essere installate e sostituite sotto la supervisione di un adulto.
 - Le batterie non ricaricabili non devono essere ricaricate.
 - Le batterie ricaricabili devono essere caricate solo sotto la supervisione di un adulto.
 - Usare solo batterie dello stesso tipo o equivalenti a quelle raccomandate.
 - Le batterie devono essere inserite con la polarità corretta.
 - Le batterie esauste devono essere rimosse dal giocattolo e smaltite correttamente.
 - I terminali di alimentazione non devono essere cortocircuitati.
 - Tipi diversi di batterie nuove o usate non devono essere mischiate.
 - NON mischiare batterie alcaline, standard (carbone-zinco) o ricaricabili.
 - **AVVERTENZA - TENERE LE BATTERIE LONTANO DALLA PORTATA DEI BAMBINI**
 - Un'eventuale ingestione può provocare lesioni gravi in appena 2 ore o portare alla morte, a causa delle ustioni chimiche e della potenziale perforazione dell'esofago.
 - Se si ha il sospetto che il bambino abbia ingerito o inserito una batteria a bottone, contattare immediatamente e con urgenza il medico.
 - Controllare i dispositivi e verificare che lo scomparto delle batterie sia sigillato correttamente, ad es. controllando che la vite o altre chiusure meccaniche siano serrate. Non usare se lo scomparto non è sigillato.
 - Smaltire immediatamente e in modo sicuro le batterie a bottone usate. Le batterie scariche possono essere comunque pericolose.
 - Informare le altre persone riguardo al rischio comportato dalle batterie a bottone e a come mantenere i bambini al sicuro.
 - Assicurarsi di inserire batterie nuove con il lato positivo (+) rivolto verso l'alto.
 - Le batterie ricaricabili devono essere rimosse dal gioco prima di essere caricate.
 - Le normative UE richiedono che le batterie scariche vengano raccolte separatamente in modo che possano essere trattate utilizzando le migliori tecniche di recupero e riciclaggio disponibili. Ciò ridurrà al minimo l'impatto sull'ambiente e sulla salute degli esseri viventi della contaminazione del suolo e delle acque da parte di sostanze pericolose, diminuirà le risorse necessarie per realizzare nuovi prodotti ed eviterà l'utilizzo di discariche.
 - Le batterie o i pacchi batteria devono essere riciclati o smaltiti correttamente. Quando le batterie di questo prodotto hanno raggiunto la fine della loro vita utile, non devono essere smaltite con altri rifiuti domestici.
 - Si prega di separare le batterie usate dai rifiuti urbani!
 - Questo prodotto contiene una batteria a bottone. Se ingerita può comportare lesioni gravi o morte in sole 2 ore. Rivolgersi al medico immediatamente.
 - **AVVERTENZA:** Smaltire immediatamente le batterie usate.
- Tenere le batterie nuove e usate fuori dalla portata dei bambini. Se si pensa che le batterie possano essere state ingerite o che possano essere in qualsiasi parte all'interno del corpo, rivolgersi immediatamente a un medico.