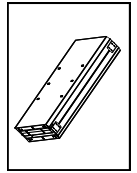
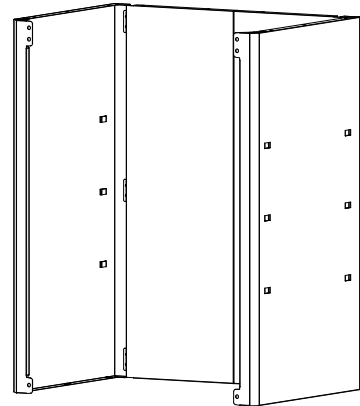
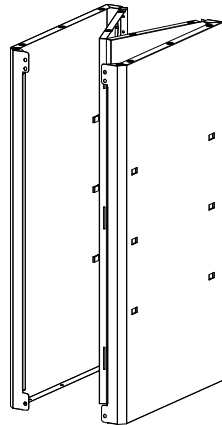


ASSEMBLY INSTRUCTIONS

STEP 1

Unfold CABINET BODY (A).



A (1)

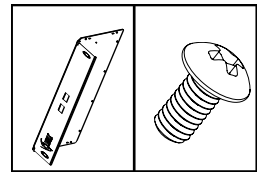
STEP 2

Two people are recommended for ease of assembly. Stand the unfolded CABINET BODY (A) upside down on the floor.

Note: There is a 40mm diameter hole on the back panel of the CABINET BODY (A). When the CABINET BODY (A) is upside down, this hole should be in the upper left corner of the back panel.

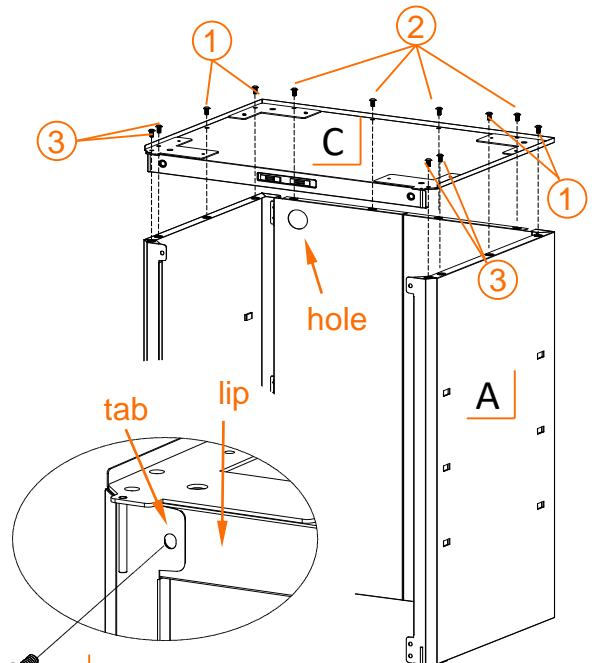
Turn BOTTOM PANEL (C) upside down. Tilt the front diagonally downward. First, insert the lip into the inner side of the tab of CABINET BODY (A) at the right side, then insert into the left side.

Follow the order indicated, insert (12) BLACK SCREWS (M) through holes on BOTTOM PANEL (C) and tighten them fully with a Phillips screwdriver to CABINET BODY (A). Insert (2) BLACK SCREWS (M) through the tabs on front of CABINET BODY (A) and tighten them fully to BOTTOM PANEL (C).



C (1)

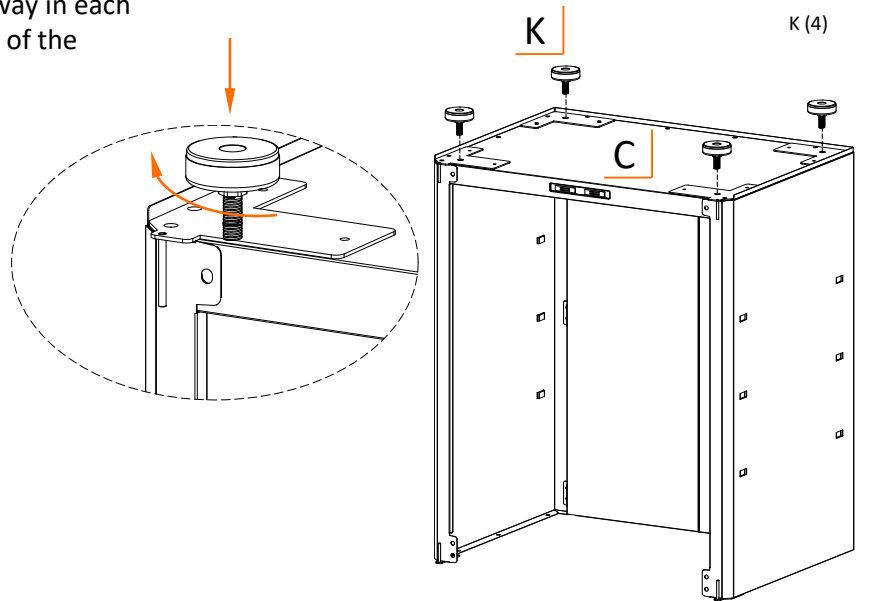
M (14)



ASSEMBLY INSTRUCTIONS

STEP 3

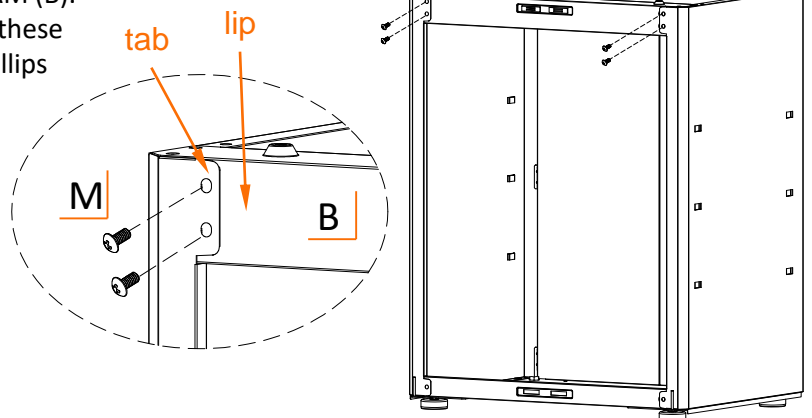
Screw FEET LEVELER (K) all the way in each pre-installed nut in four corners of the BOTTOM PANEL(C).



STEP 4

Stand the unit right side up.

Position TOP BEAM (B) on top front of the cabinet. Make sure the lip of TOP BEAM (B) is inside the tabs. Align the holes on tabs to pre-installed nuts on lip of TOP BEAM (B). Insert BLACK SCREWS (M) through these holes. Tighten them fully with a Phillips screwdriver.



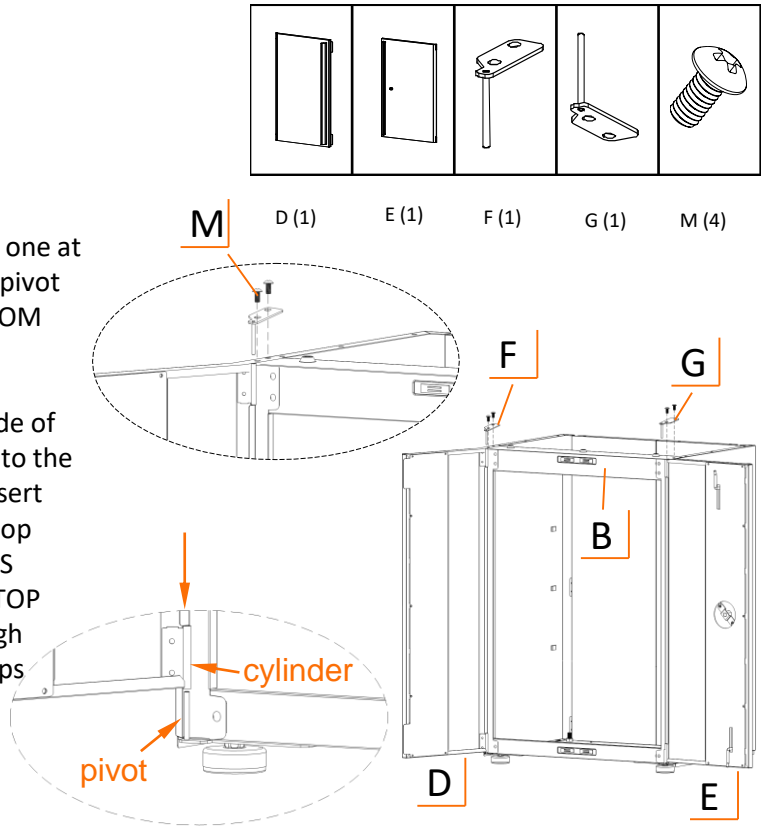
ASSEMBLY INSTRUCTIONS

STEP 5

Note: RIGHT DOOR (E) has a lock on it.

Attach LEFT DOOR (D) and RIGHT DOOR (E) one at a time to the cabinet front by inserting the pivot of door hinge which is welded on the BOTTOM PANEL(C) into the bottom door cylinder.

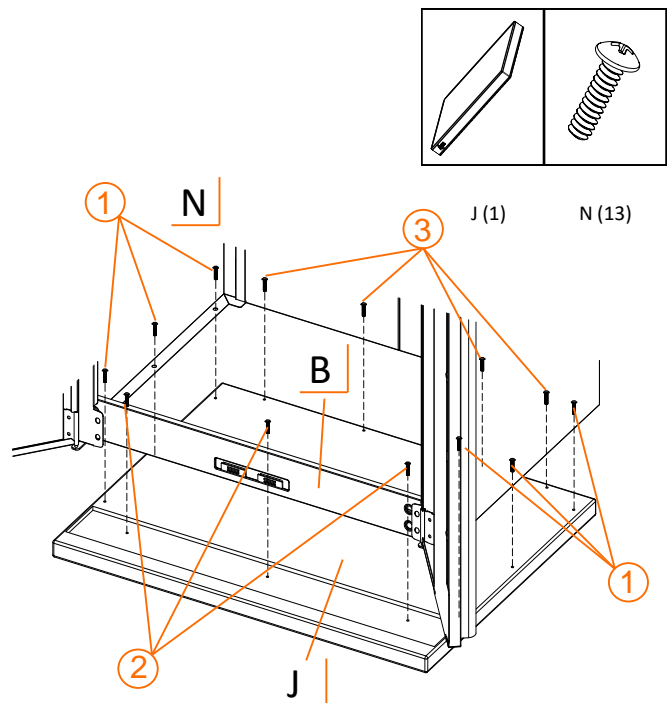
Position LEFT DOOR HINGE (F) to the left side of TOP BEAM (B) and RIGHT DOOR HINGE (G) to the right side of TOP BEAM (B). Make sure to insert the pivots of DOOR HINGES (F+G) into the top door cylinders. Align holes on DOOR HINGES (F+G) to pre-installed nuts on two sides of TOP BEAM (B). Insert BLACK SCREWS (M) through these holes. Tighten them fully with a Phillips screwdriver.



STEP 6

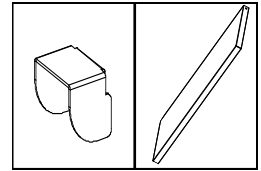
Lay WOOD TOP (J) gently on a clean surface. Make sure the side with a rectangular groove faces up.

Turn the cabinet upside down and put it on the WOOD TOP (J). Make sure the TOP BEAM (B) sit inside the groove. Align holes on TOP BEAM (B) and the top frame of cabinet to pre-installed nuts on wood top. Follow the order indicated, insert SILVER SCREWS (N) through these holes and tighten them fully with a Phillips screwdriver.



ASSEMBLY INSTRUCTIONS

STEP 7



I (4)

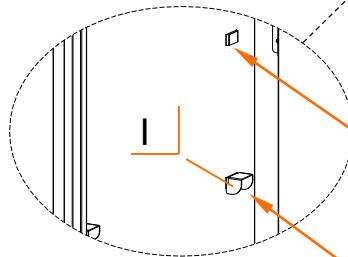
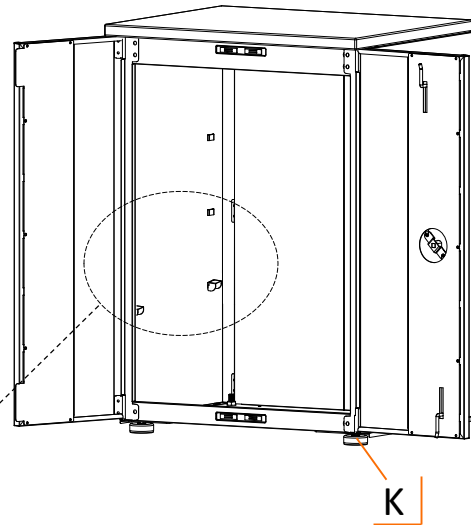
H (1)

Stand the unit right side up.

Attach SHELF SUPPORT (I) by hooking it over the position tab at your desired height. Make sure all four SHELF SUPPORTS (I) are at the same level.

Tilt SHELF (H) diagonally to move it inside the cabinet. Place SHELF (H) on top of all four SHELF SUPPORTS (I).

Adjust FEET LEVELERS (K) as needed to ensure your cabinet is level and stable.



position tab

shelf support hooked on position tab

