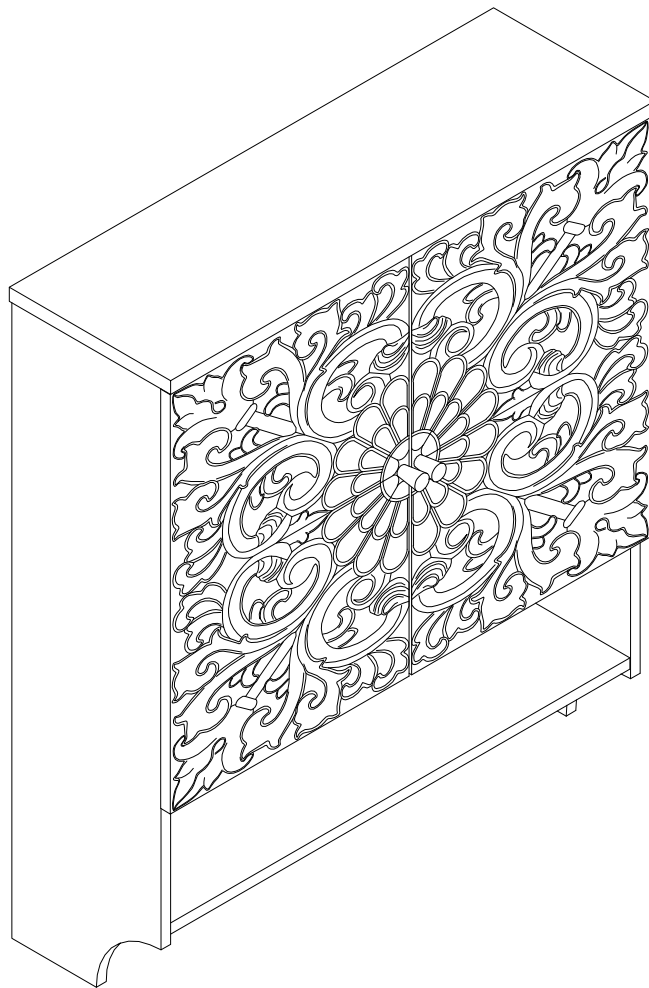


Assembly Instructions

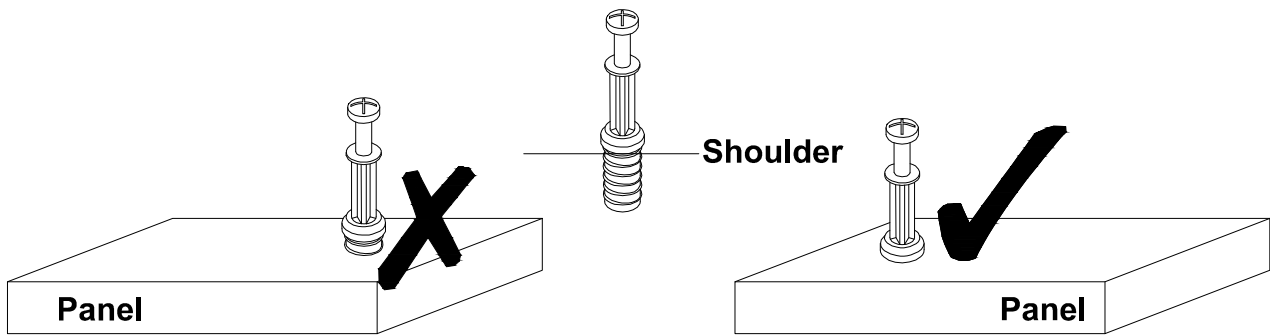


Before Assembly

Tips Before Your Start:

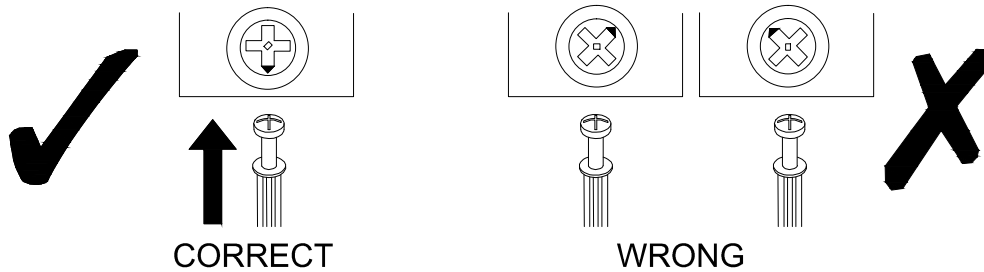
- Remove all wrapping material, including staples & packing straps before you start to assemble.
- DO NOT tighten all screws and bolts until the assembly is completely assembled.
- Keep all hardware parts out of reach of children.

QUICKFIT



Tighten quickfit until shoulder is flush with panel. Do not overtighten or undertighten.

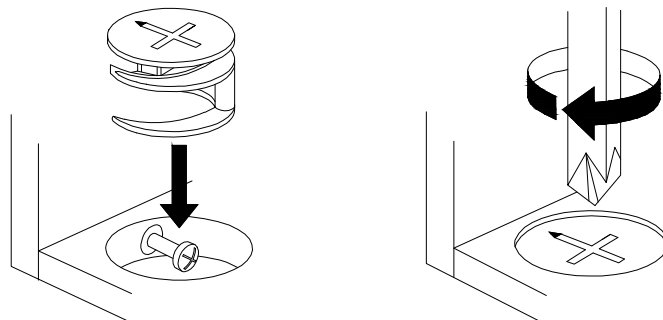
CAM LOCK



When fitting a cam lock, ensure the starting position is correct before inserting the connecting QUI CKFIT




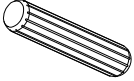
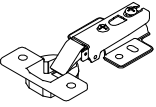
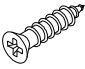
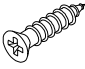
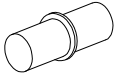
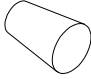

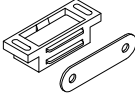
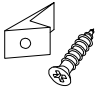
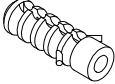
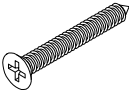
Quickfit head should be in the centre of the cam lock when the two panels are joined.

Cam lock should be inserted before quickfit.

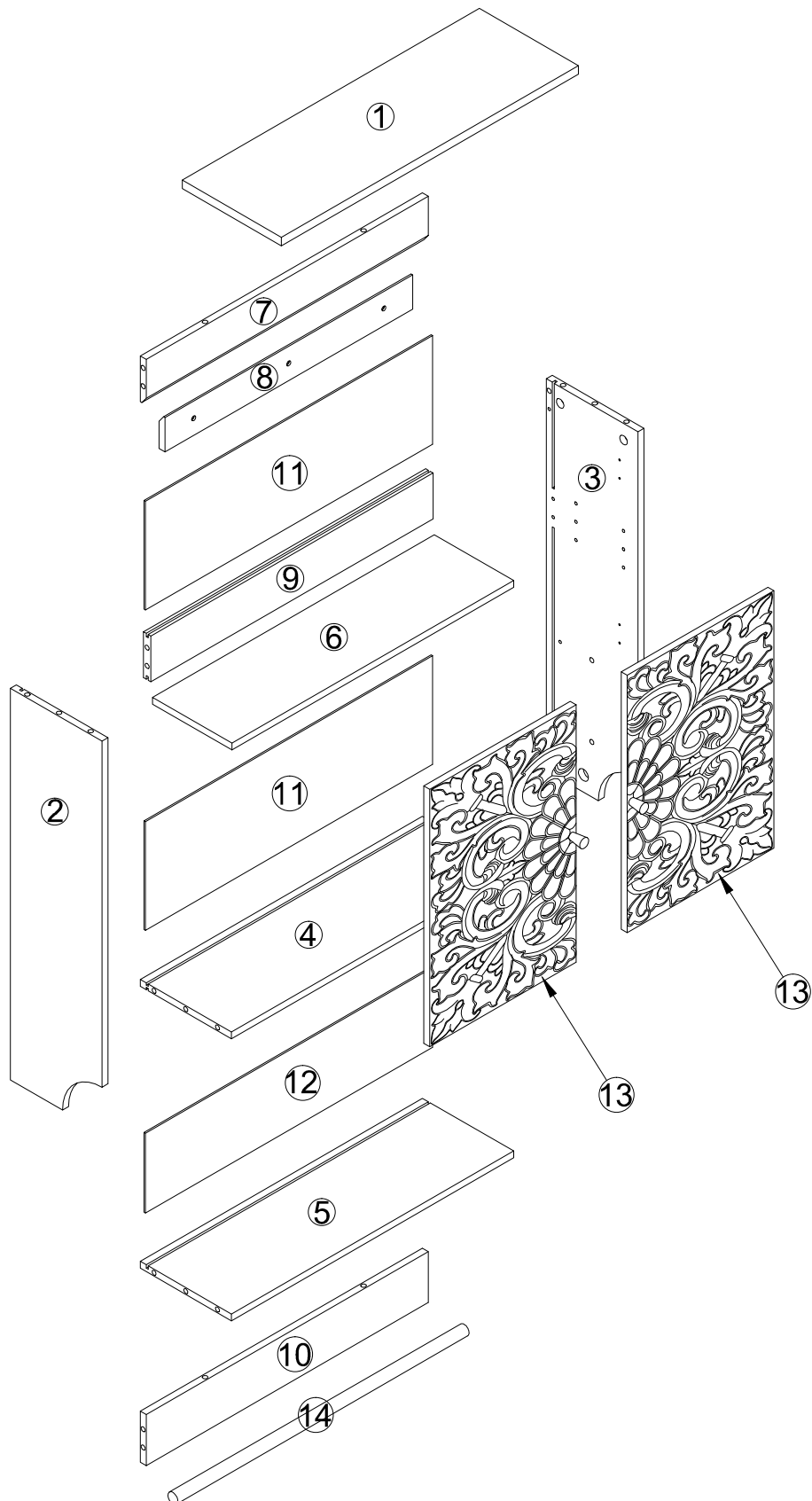


Turn cam lock clockwise to tighten.

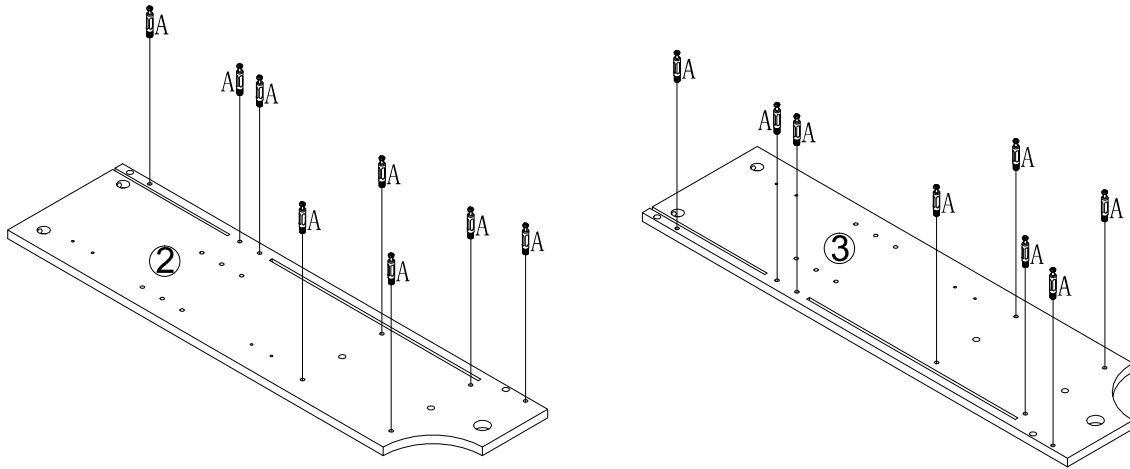
Part List

<p>No. A Quantity:24 Pcs Cam Lock Dowel 8*28mm</p> 	<p>No. B Quantity:24 Pcs Cam φ15</p> 	<p>No. C Quantity:24 Pcs Sticker Ø20</p> 	<p>No. D Quantity:10 Pcs Dowel 8*30mm</p> 
<p>No. E Quantity:4 Pcs Straight Bend Door Hinge</p> 	<p>No. F Quantity:28 Pcs Screw M3.5*12mm</p> 	<p>No. G Quantity:4 Pcs Screw M3.5*14mm</p> 	<p>No. H Quantity:4 Pcs Shelf Support M5*15mm</p> 
<p>No. I Quantity:2 Pcs Handle</p> 	<p>No. J Quantity:2 Pcs Screw M4*18mm</p> 	<p>No. K Quantity:2 Sets Magnetic Door Catcher</p> 	<p>No. L Quantity:10 Sets Plastic Wedge</p> 
<p>No. M Quantity:3 Pcs Expansion bolt M8*40mm</p> 	<p>No. N Quantity:3 Pcs Screw M5*60mm</p> 		

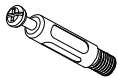
Product structure



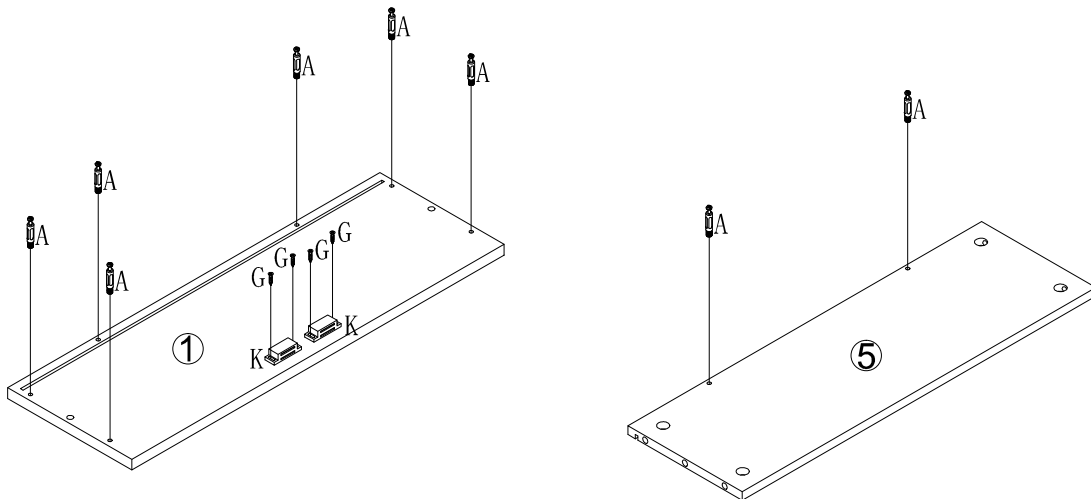
STEP 1



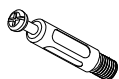
No. A
Quantity: 16 Pcs
8*28 mm



STEP 2



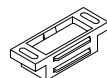
No. A
Quantity: 8 Pcs
8*28 mm



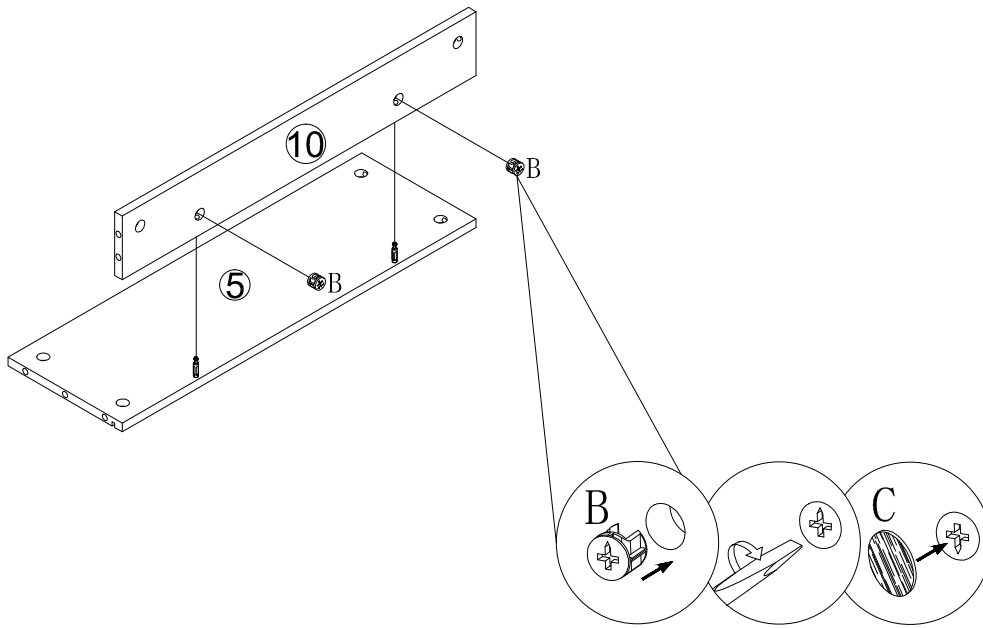
No. G
Quantity: 4 Pcs
M3.5*14mm



No. K
Quantity: 2 Pcs



STEP 3



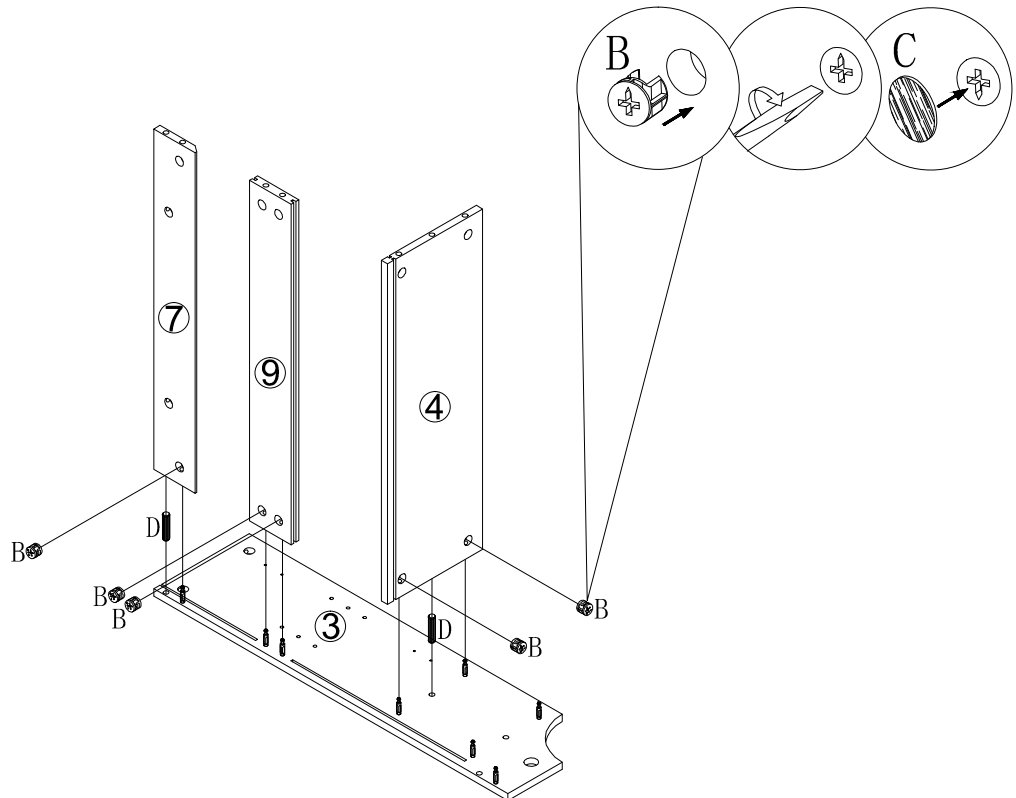
No. B
Quantity: 2 Pcs
Ø15



No. C
Quantity: 2 Pcs
Ø20



STEP 4



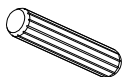
No. B
Quantity: 5 Pcs
Ø15



No. C
Quantity: 5 Pcs
Ø20



No. D
Quantity: 2 Pcs
8*30mm



STEP 5

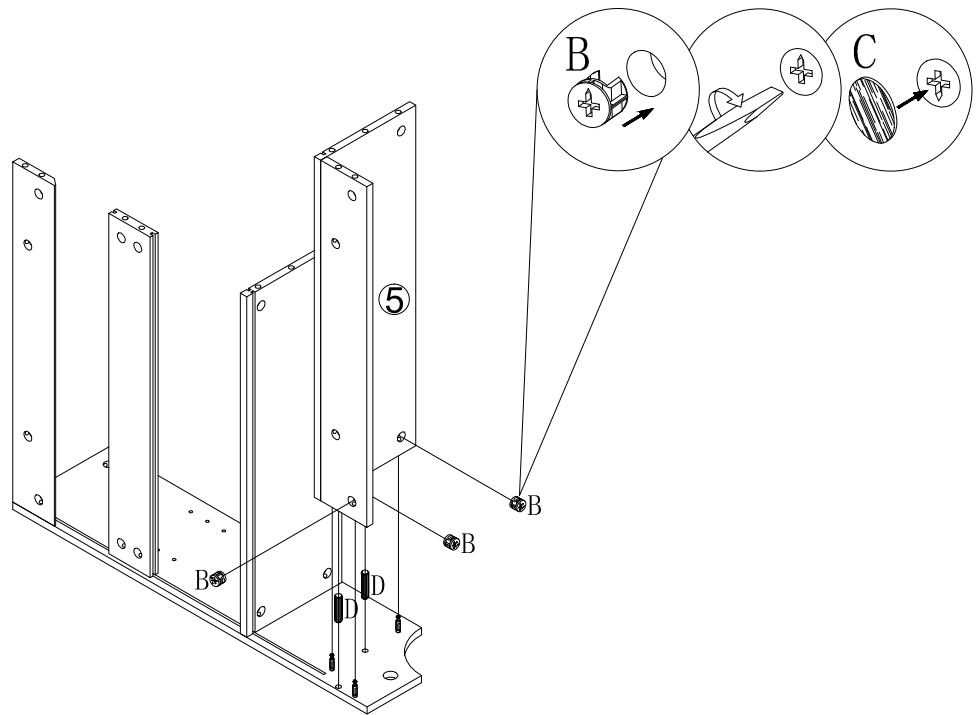
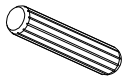
No. B
Quantity: 3 Pcs
Ø15



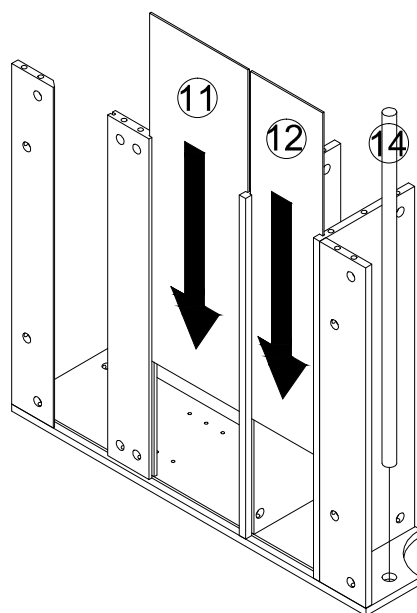
No. C
Quantity: 3 Pcs
Ø20



No. D
Quantity: 2 Pcs
8*30mm



STEP 6



STEP 7

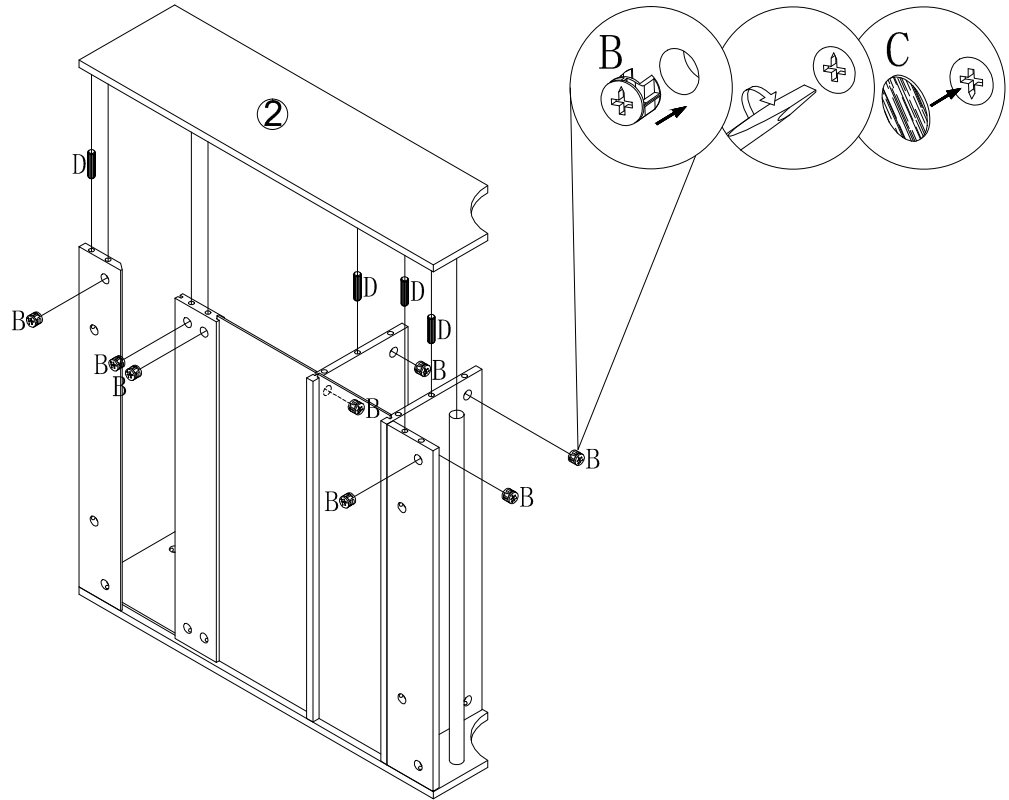
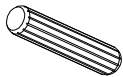
No. B
Quantity: 8 Pcs
Ø15



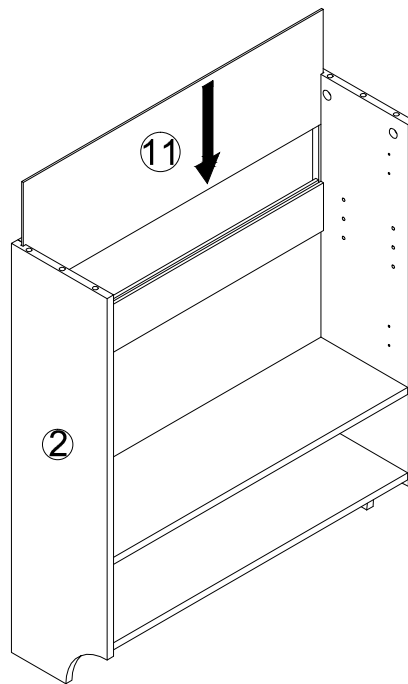
No. C
Quantity: 8 Pcs
Ø20



No. D
Quantity: 4 Pcs
8*30mm



STEP 8



STEP 9

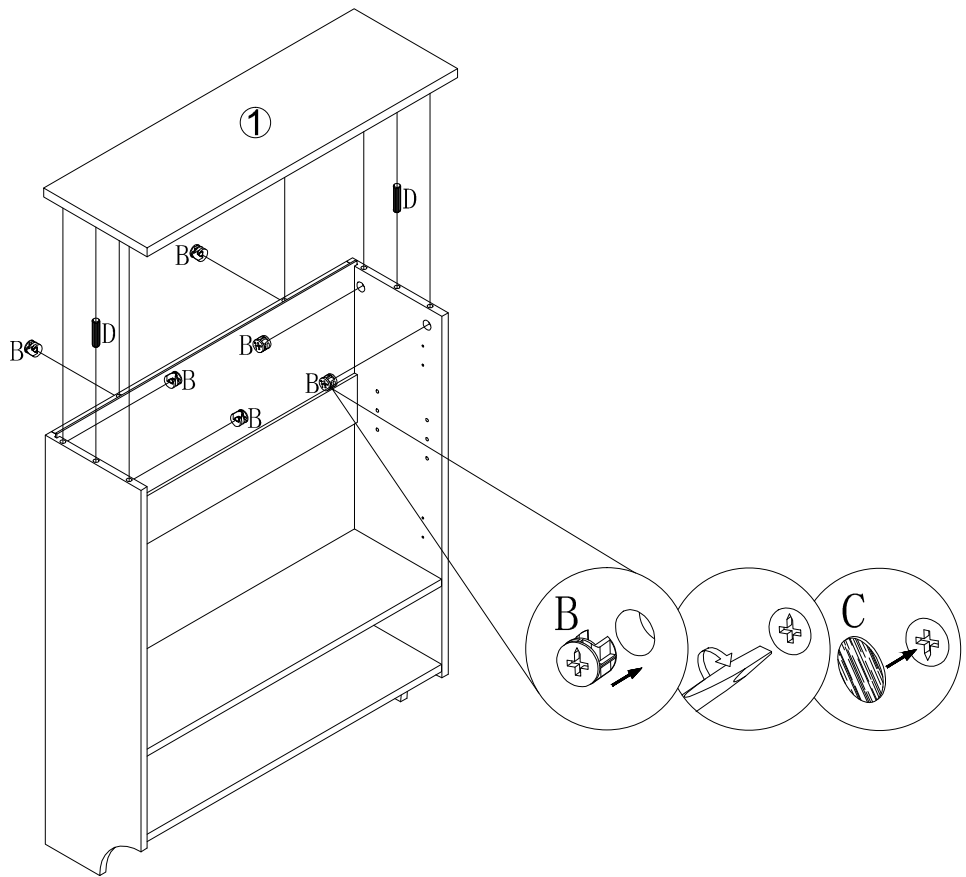
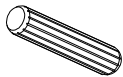
No. B
Quantity: 6 Pcs
Ø15



No. C
Quantity: 6 Pcs
Ø20

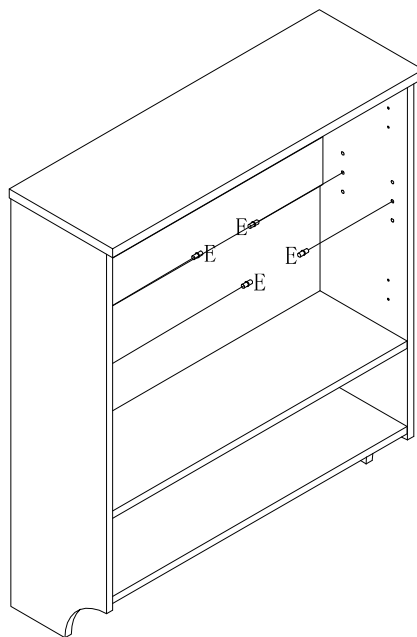


No. D
Quantity: 2 Pcs
8*30mm

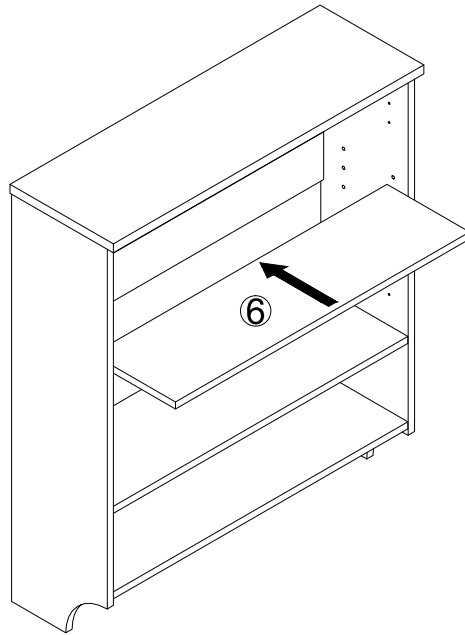


STEP 10

No. H
Quantity: 4 Pcs
M5*15mm

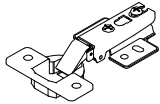


STEP 11



STEP 12

No. E
Quantity: 4 Pcs



No. F
Quantity: 12 Pcs
M3.5*12mm



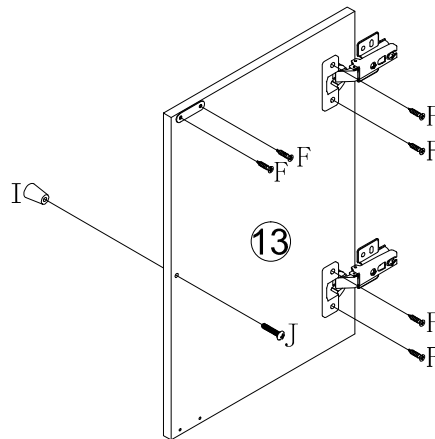
No. I
Quantity: 2 Pcs



No. J
Quantity: 2 Pcs
M4*18mm

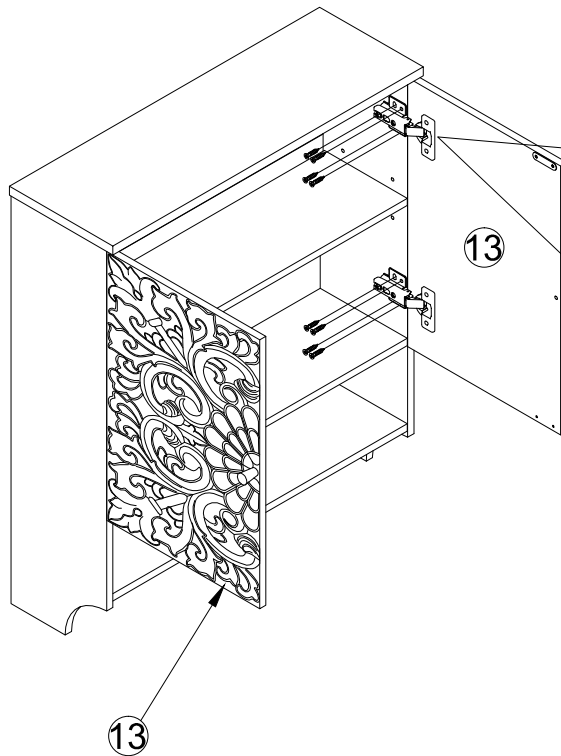
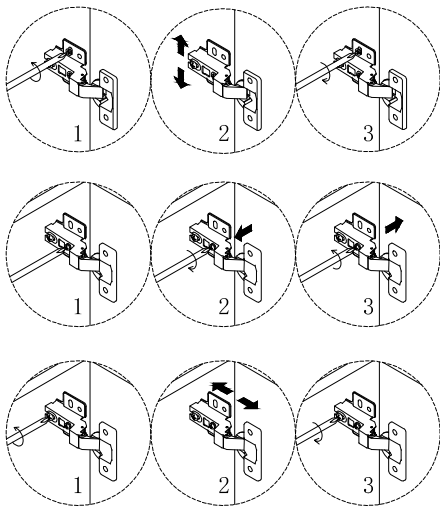


No. K
Quantity: 2 Pcs

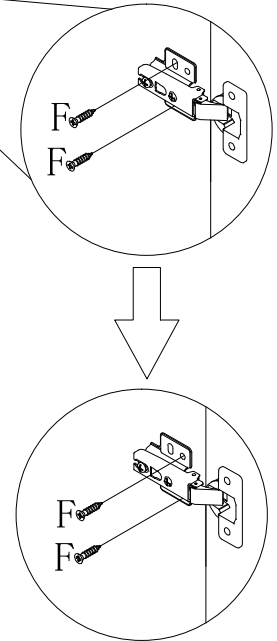


x2

STEP 13



First align the pilot holes and tighten the two screws inside.

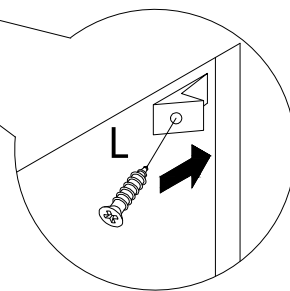
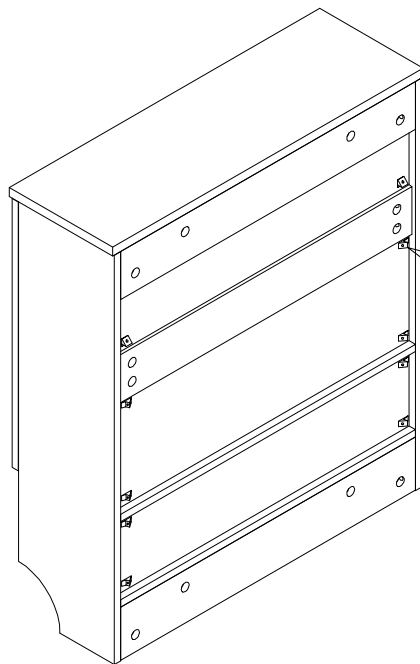


After adjusting the gap of the cabinet door evenly, then fix the two screws on the front side.

No. F
Quantity: 16 Pcs
M3.5*12mm



STEP 14

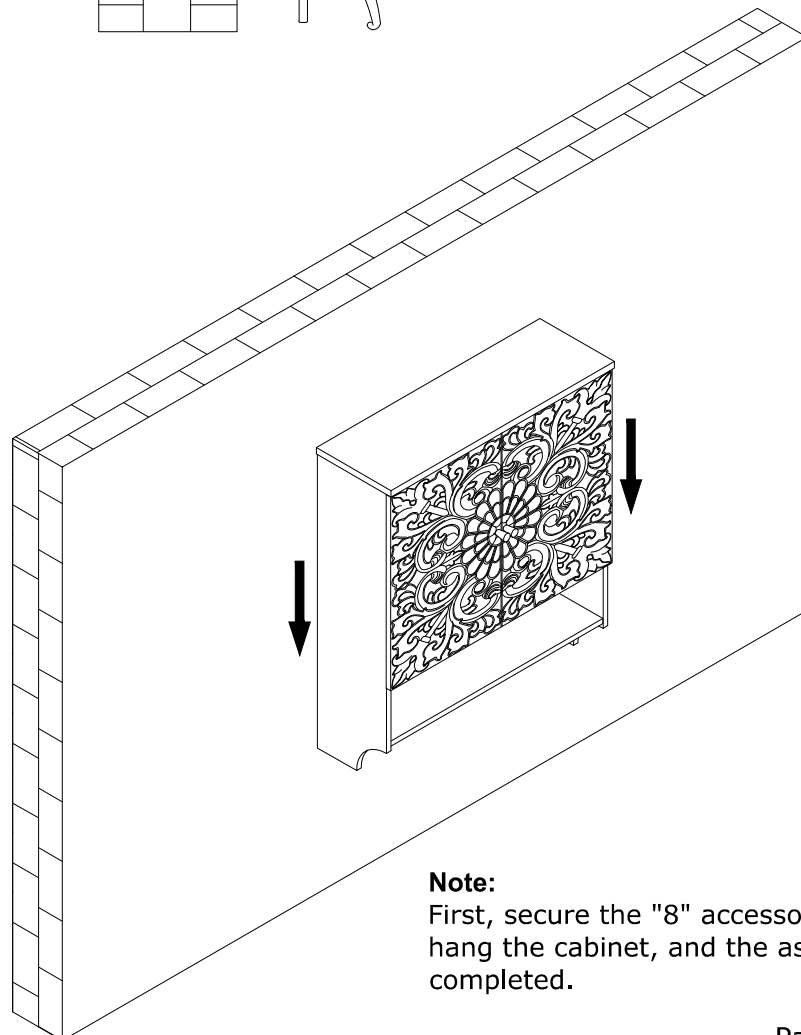
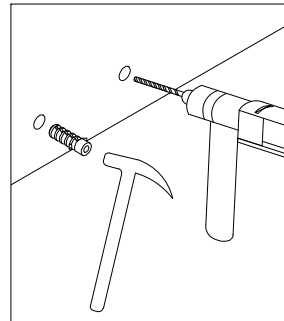
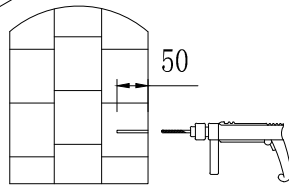
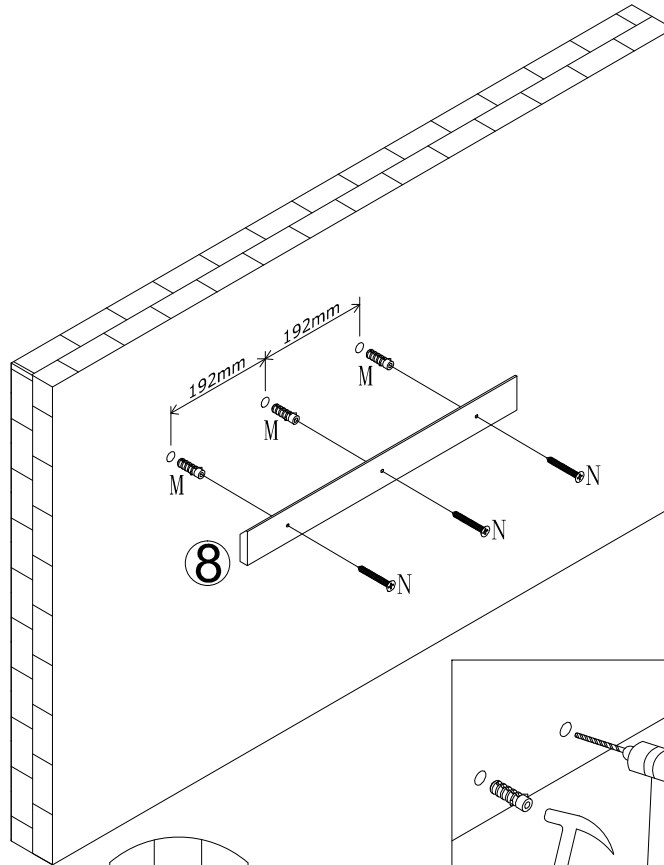


Description: Insert the thinner end of the reinforcement into the gap in this back panel, then tighten the screws. This will make the cabinet more stable.

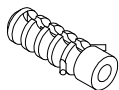
No. L
Quantity: 10 Sets



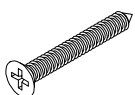
STEP 15



No. M
Quantity: 3 Pcs



No. N
Quantity: 3 Pcs
M5*60mm



Note:
First, secure the "8" accessories, then hang the cabinet, and the assembly is completed.