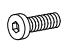






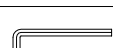



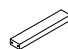

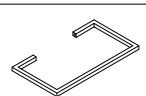
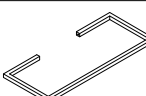
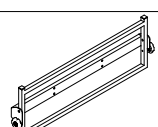

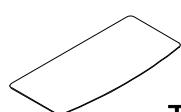






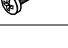

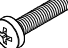



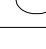



NO.	DESCRIPTION	QTY
A	 M6x12mm	6
B	 M6x25mm	6
C	 M6x38mm	14
D	 M4x15mm	8
E	 Ø23	2
F	 M6	5
G	 Ø12x3.5	24
H	 M4	1
I		8
J		1
K		1

NO.	DESCRIPTION	QTY
L		1
M		1
N		2
O		1
P		1
Q		2
R	 T=6mm	2
S	 T=6mm	1

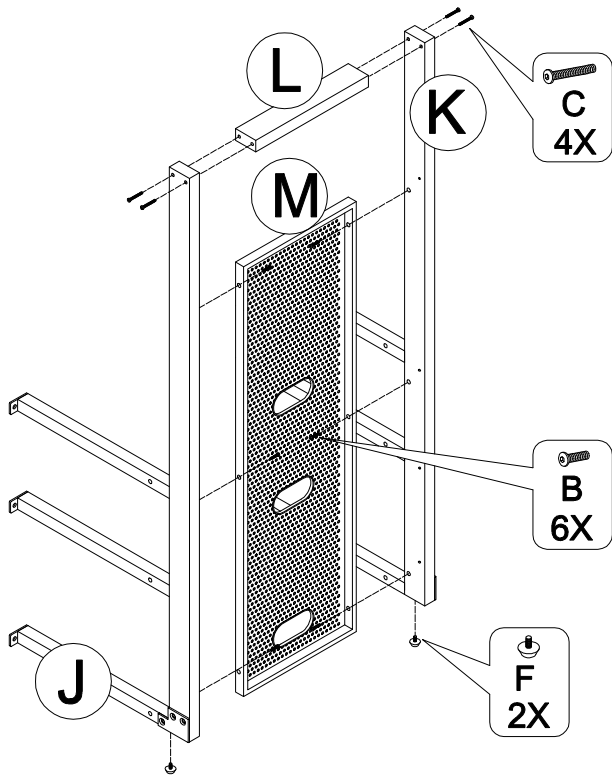
TV Mounting Hardware

NO.	DESCRIPTION	QTY
S1	 M4x12mm	4
S2	 M5x12mm	4
S3	 M6x12mm	4
S4	 M8x12mm	4
S5	 M4x32mm	4
S6	 M5x32mm	4
S7	 M6x32mm	4
S8	 M8x32mm	4
S9	 Ø19xØ6.2	4
S10	 Ø22xØ8.2	4
S11	 Ø14x14mm	4
S12	 Ø25x13mm	4
S13	 Ø25x2mm	4

STEP 1

- Attach Part J to Part M;
- Attach Part K to Part M,
- Install the connecting bar(Part L)as shown;
- Intall the adjustable foot(Part F)as shown.

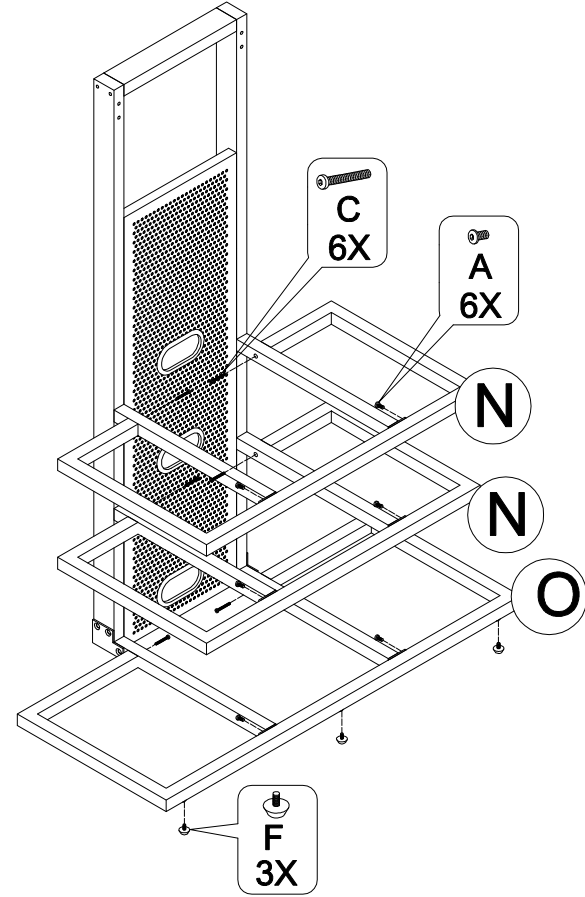
* For easy assembly please do not tighten all the screws until step 2 complete.



STEP 2

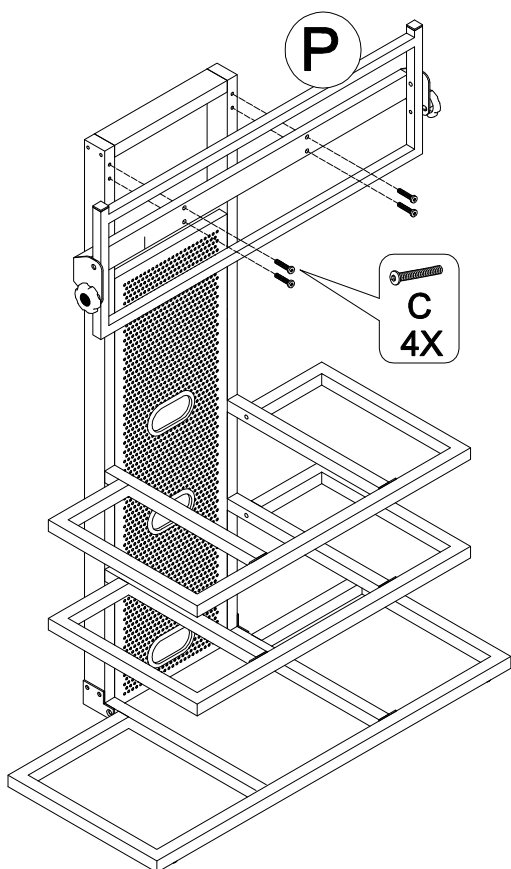
- Install the bottom support frame(Part O);
- Install the middle shelf support frame(Part N);
- Install the top shelf support frame(Part N);
- Install the adjustable foot on the bottom frame as shown.

* Fasten all the screws.



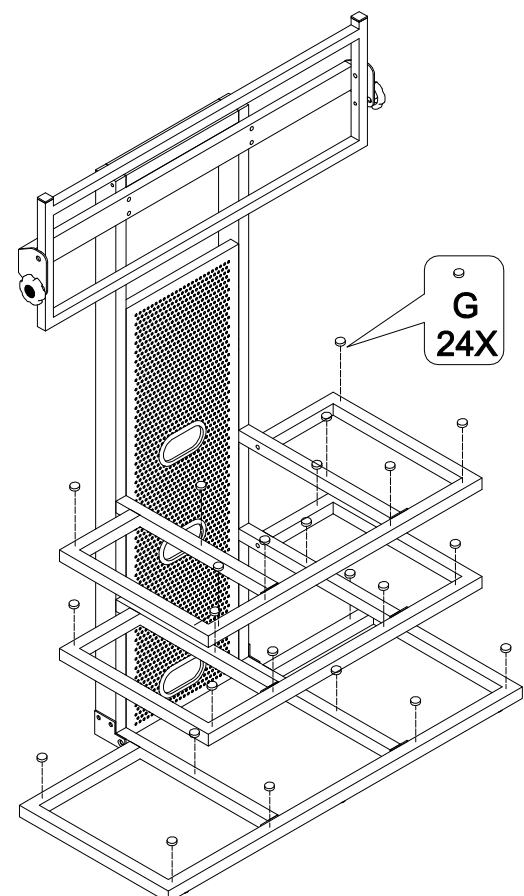
STEP 3

- Install the main mounting bracket(Part P);
- Level the mounting bracket and tighten the screws.



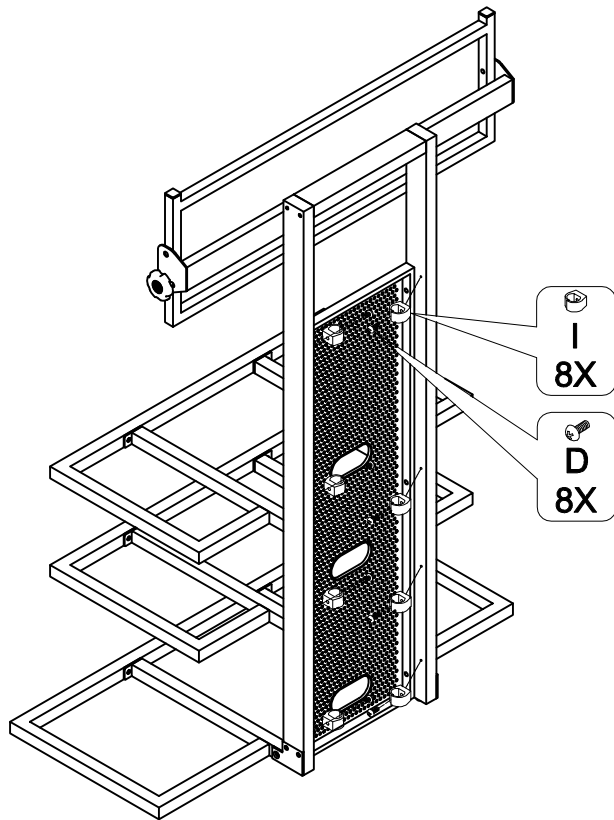
STEP 4

- Affix the silicon(Part G) on all the shelf support frames as shown.



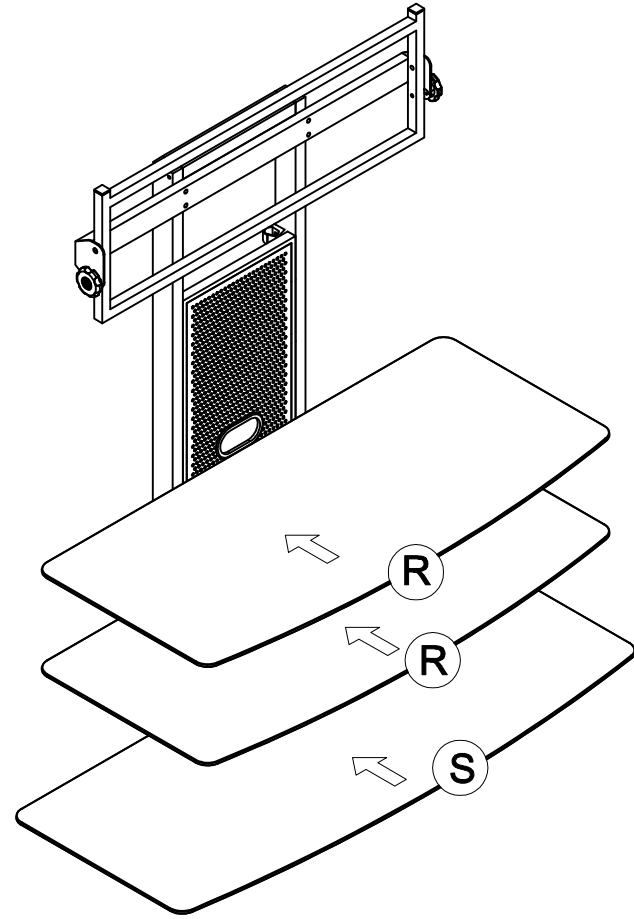
STEP 5

- Install the wire management clips(Part I)



STEP 6

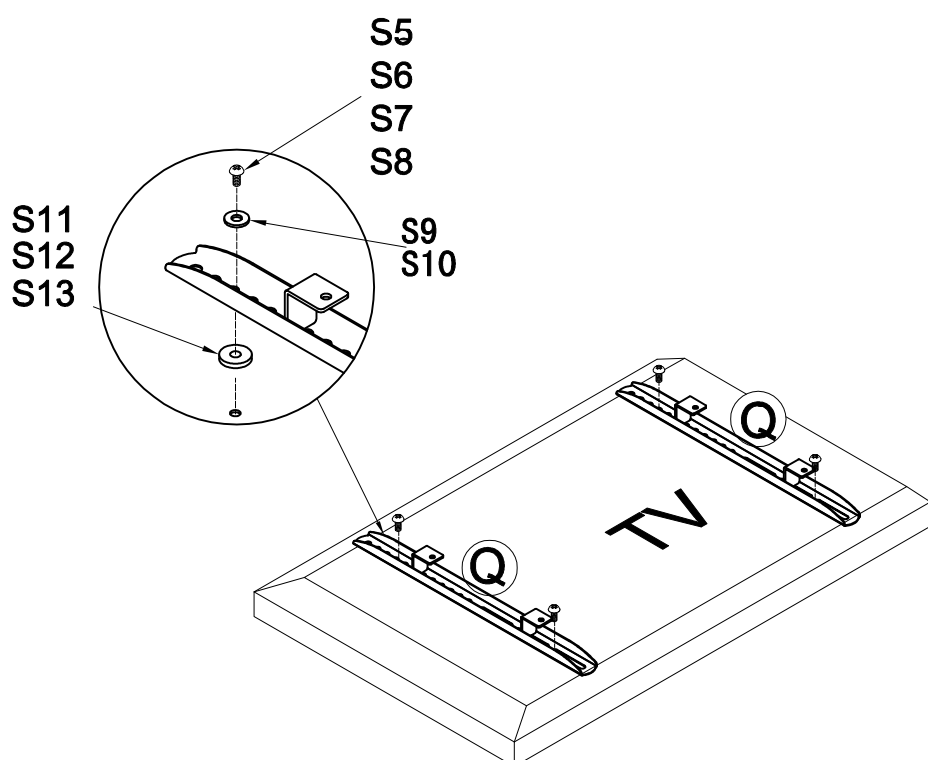
- Install the glass shelves as shown.



STEP 7

- Attach the TV mounting bracket to the TV;

* Choose only one screw(S5-S8),one washer(S9-S10), and one spacer(S11-S13)that fit your TV.Keep all other parts for future use.Secure the mounting bracket on the back of the TV.



STEP 8

- Hang the TV on the main mounting bracket as shown;

- Install the safety bolt(Part E) on the top anchors only.

* There is no bolt for the lower anchors.

