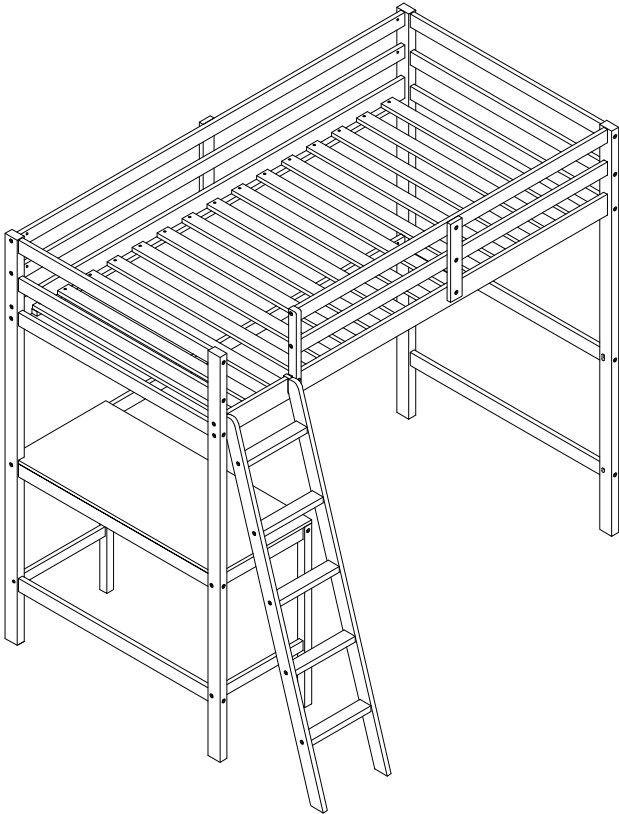


Thank you for your purchase!



Twin Loft Bed With Desk

ASSEMBLY INSTRUCTIONS

Before You Begin:

Please identify all component parts and hardware pieces required before you begin. Carefully remove all of the components from the packaging and set aside for assembly. Assemble on a soft surface to prevent scratching during assembly.

Caution:

Tighten all components securely before use. Failure to do so may result in personal injury. DO NOT use any sharp objects to open plastic wrapped components as damage to product or components may result.

Warning:

CHOKING HAZARD - Small Parts. Adult Assembly Required.

DO NOT ALLOW CHILDREN TO CLIMB ON FURNITURE

Serious or fatal injuries can occur from furniture tipping over. You must install Tipping Restraint Hardware (where included) to help prevent the unit from tipping and causing accidental injury, instability, death or damage. The tipping restraint is intended only as a safety measure, it is not a substitute for proper adult supervision.

To help prevent furniture from tipping over it must be permanently attached to the wall. Anti-Tip Safety Wall Straps suitable for the unit weight and wall materials (if not included) should be purchased and installed.

01/18



Congratulations!

You just purchased a piece of happiness. At Ubique Group, we believe you can transform your spaces into the most inspired places with furnishings that are the perfect combination of form, function and style. As original innovators of online furniture retail, we offer the best selection of popular, contemporary styles at cool, comfortable prices. And, with decades of proven shipping and packaging expertise, our Extended Quality Checklist ensures a rewarding, hassle-free experience time and time again. It's just what you need to bring your vision to life.

Thank you & Enjoy!!
your friends at Ubique Group



LIKE IT!

*Share it on social
& Tell a friend!
#Spaces2Places*



LOVE IT!

*Write an online
product review
where purchased*



NOT SURE?

*Let us help!
Contact our
customer support.*

Have a question, concern or simply need a hand? Your satisfaction is our top priority. Contact us at 866-552-2810 or customerexperience@theubiquegroup.com. We're here to help!

Browse Our Branded Collections

There's something for everyone inside our family of brands.



Visit www.theubiquegroup.com/brands or scan this code.





We pride ourselves on providing an excellent customer experience starting right here with your package and instructions. Everything you need should be right where you need it, so you can get to enjoying your new item ASAP. But despite our best efforts, sometimes "slips happen." If you need any support, from replacement parts to recommendations, please reach out to our wonderful customer support team at 866-552-2810 or customerexperience@theubiquegroup.com. We're here to help!

EVERY UBIQUE GROUP PRODUCT



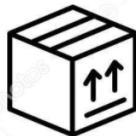
Quality &
Durability Tested



Packaged
with Care



Shipped from
our U.S. Facility



Designed
for Easy
Assembly



Ethically
Sourced

Please visit <https://www.theubiquegroup.com/warranty> for complete warranty information.

Read this manual before using this product. Failure to follow the instructions and safety precautions in this manual can result in serious injury or death. Keep this manual in a safe location for future reference.

WARNING:



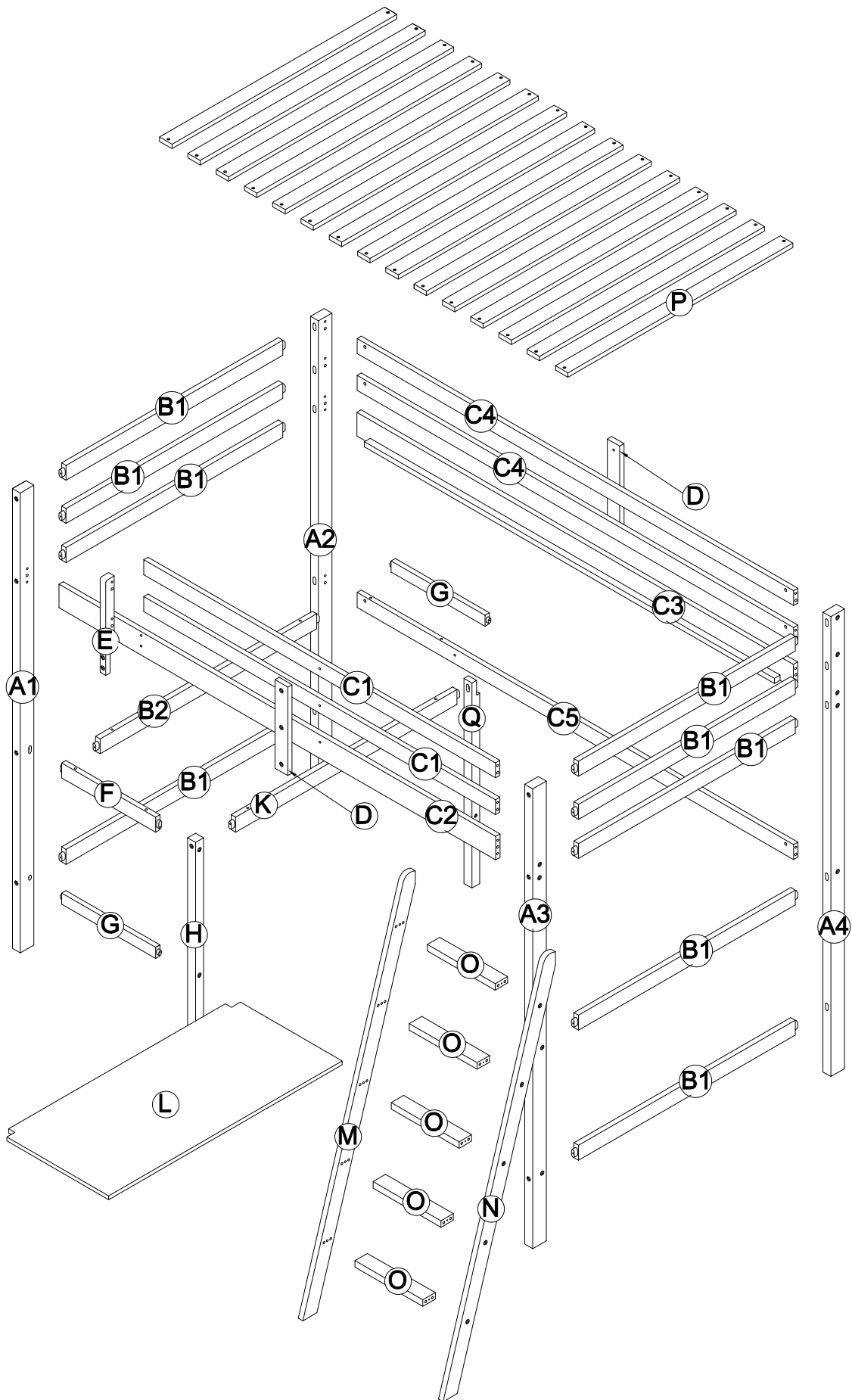
To help prevent serious or fatal injuries from entrapment or falls:

- **Never allow a child under 6 years of age on upper bunk.**
- **Use only mattresses which are 74" - 75" long and 37.5" - 38.5" wide on the upper bunk.**
- **Ensure thickness of the mattress does not exceed 9" and that the mattress is at least 5" below the upper edge of guardrails.**
- **Use guardrails on both sides of the upper bunk.**
- **Prohibit horseplay on or under the bunk/loft bed.**
- **Do not allow more than one person on the upper bunk.**
- **Use the ladder for entering and leaving the upper bunk.**

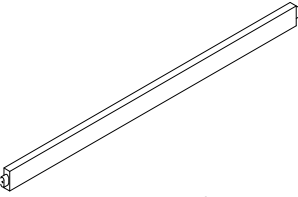
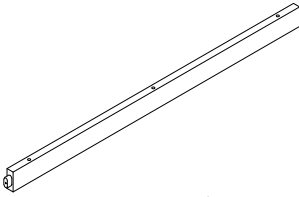
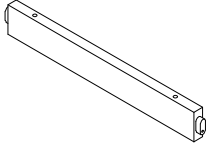

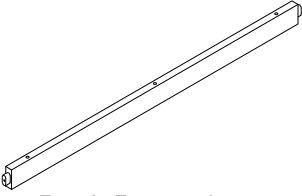
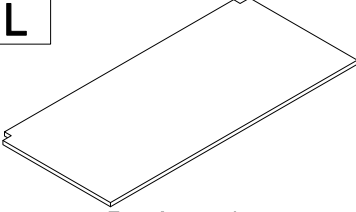

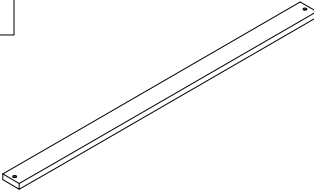

STRANGULATION HAZARD:

Never attach or hang items to any part of the bunk bed that are not designed for use with the bed including, but not limited to, hooks, belts and jump ropes.





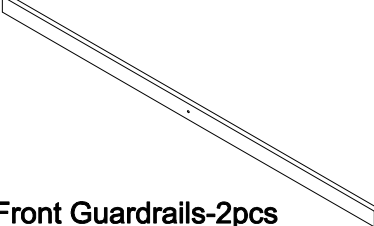
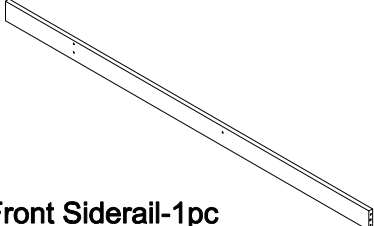
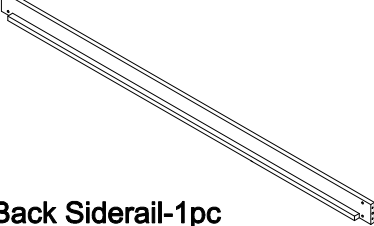
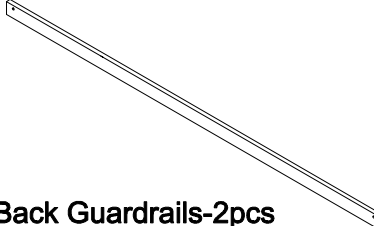
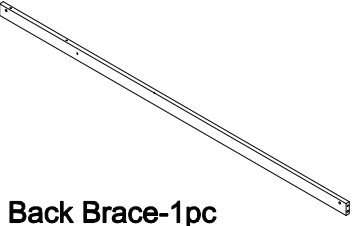


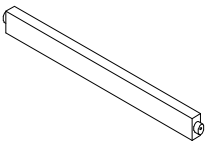
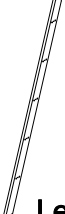
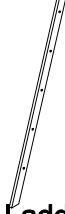
ASSEMBLY INSTRUCTION





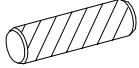
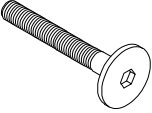
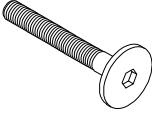



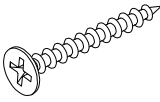

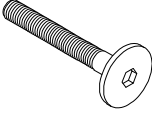
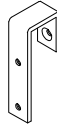
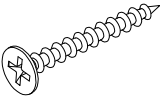

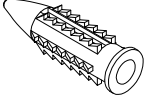
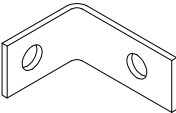
Part List(BOX 1)

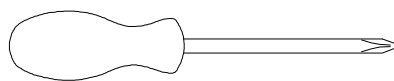
B1  Wood Bars-9pcs	B2  Wood Bar-1pc	F  Upper Desk Brace-1pc
H  Front Center Leg-1pc	K  Front Desk Brace-1pc	L  Desktop-1pc
O  Ladder Steps-5pcs	P  Slats-15pcs	Q  Back Center Leg-1pc

Part List(BOX 2)

<p>A1</p>  <p>Front Left Leg-1pc</p>	<p>A2</p>  <p>Back Left Leg-1pc</p>	<p>A3</p>  <p>Front Right Leg-1pc</p>
<p>A4</p>  <p>Back Right Leg-1pc</p>	<p>C1</p>  <p>Front Guardrails-2pcs</p>	<p>C2</p>  <p>Front Siderail-1pc</p>
<p>C3</p>  <p>Back Siderail-1pc</p>	<p>C4</p>  <p>Back Guardrails-2pcs</p>	<p>C5</p>  <p>Back Brace-1pc</p>
<p>D</p>  <p>Front & Back Center Braces -2pcs</p>	<p>E</p>  <p>Left Brace-1pc</p>	<p>G</p>  <p>Lower Desk Braces-2pc</p>
<p>M</p>  <p>Left Ladder Rail-1pc</p>	<p>N</p>  <p>Right Ladder Rail-1pc</p>	

Hardware List

<p>1</p>  <p>Screws 1/4" x80 (16pcs)</p>	<p>2</p>  <p>Screws 1/4" x50 (10pcs)</p>	<p>3</p>  <p>Wood dowel Ø10 40mm-34pcs</p>
<p>4</p>  <p>Ø1/4" x 35 mm Hex-Head bolts 2pcs</p>	<p>5</p>  <p>Ø1/4" x 80 mm Hex-Head bolts 18pcs</p>	<p>6</p>  <p>Female Bolt Connector Ø1/4" x 13 mm-18pcs</p>
<p>7</p>  <p>Screws 1/4" x30 (6pcs)</p>	<p>8</p>  <p>Round Weld Nut Ø1/4" x 15 mm-2pcs</p>	<p>9</p>  <p>M4 x 30 mm Wood Screws 34pcs</p>
<p>10</p>  <p>Screws 1/4" x60 (8pcs)</p>	<p>11</p>  <p>Ø1/4" x 60 mm (Head 13) -10pcs</p>	<p>12</p>  <p>Brackets 2pcs</p>
<p>13</p>  <p>M4 x 20 mm Wood Screws 6pcs</p>	<p>14</p>  <p>Allen Wrench 1pc</p>	<p>15</p>  <p>Plastic Button -2pcs</p>
<p>16</p>  <p>Anti-Roll (Steel) (50x30x20)-2pcs</p>		



Phillips Screwdriver Required (Not Included)

Insert wooden nodules on (4) Wood Bars (Part B1) and (1) Wood Bar (Part B2) into the holes in the Left Front Leg (Part A1) and Left Rear Leg (Part A2). Attach using (8) 1/4" x 80 Hex-Head Screws. Tighten using Allen Wrench (Part 14).

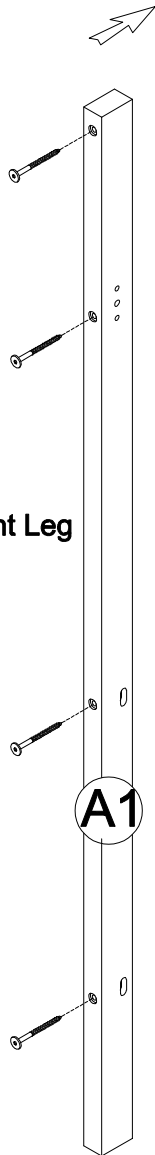
1



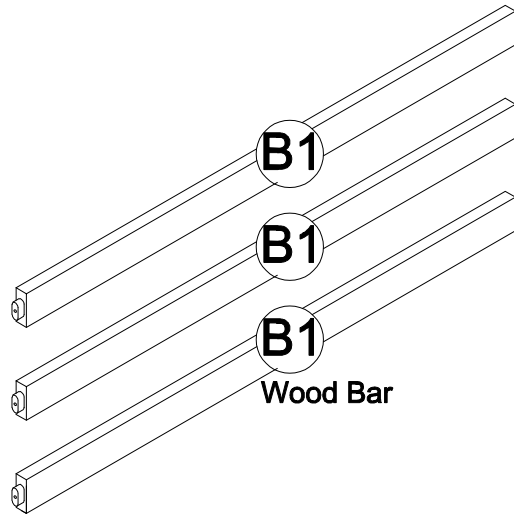
8(pcs)

1/4" x 80 Hex-Head Screw

Left Front Leg



A1

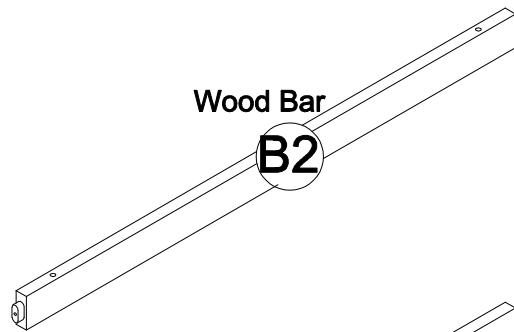


B1

B1

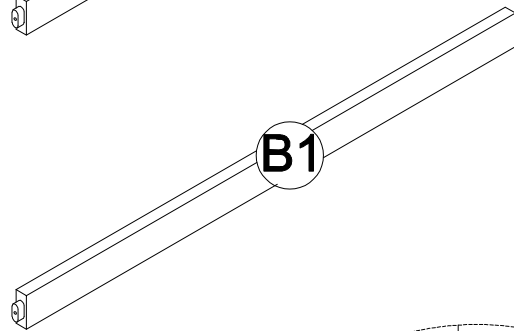
B1

Wood Bar

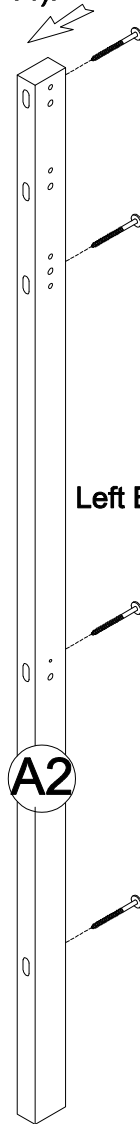


Wood Bar

B2

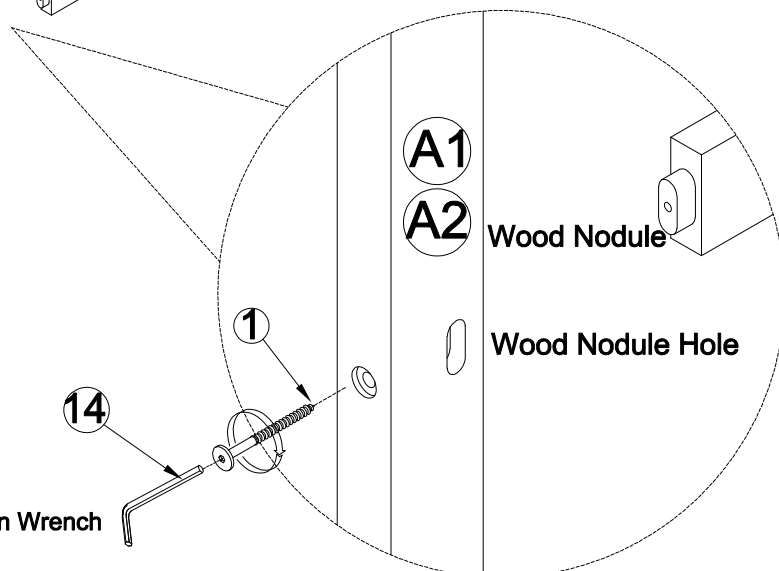


B1



Left Back Leg

A2



A1

A2

Wood Nodule

Wood Nodule Hole

14

Allen Wrench

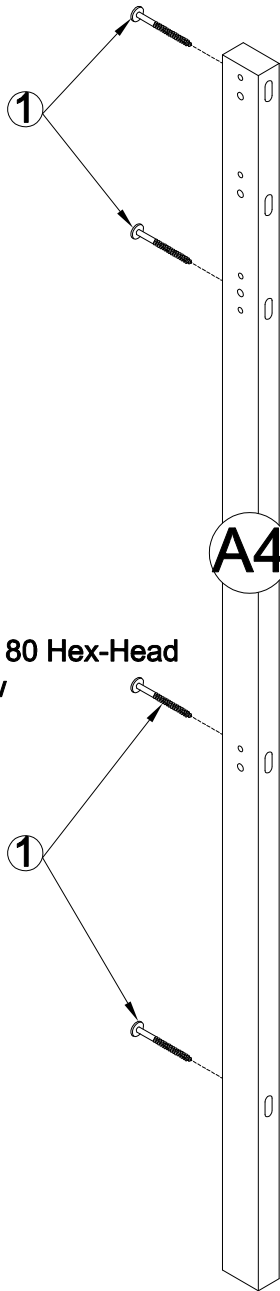
06/18

Insert wooden nodules on (5) Wood Bars (Part B1) into the holes in the Right Front Leg (Part A3) and Right Rear Leg (Part A4). Attach using (8) 1/4" x 80 Hex-Head Screws. Tighten using Allen Wrench (Part 14).

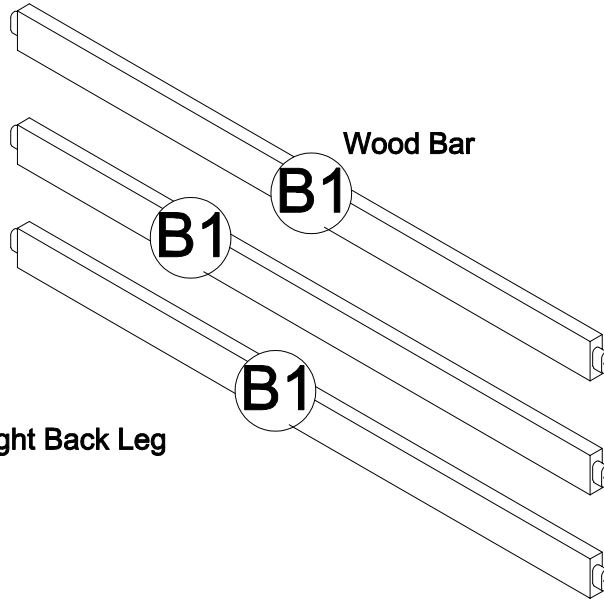
1



8(pcs)



A4 Right Back Leg



Wood Bar

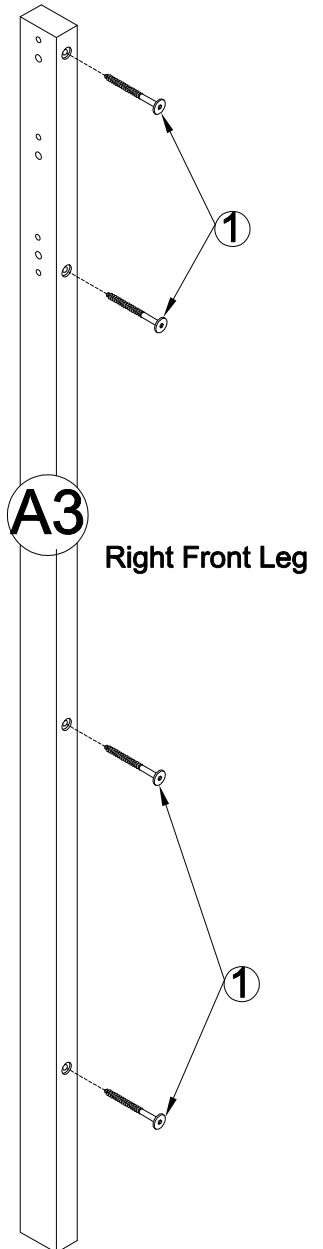
B1

B1

B1

B1

B1



A3

Right Front Leg

1/4" x 80 Hex-Head
Screw

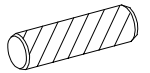
1

1

1

Insert (16) Female Bolt Inserts and (12) Wood Dowels into the Front Siderail (Part C2), Front Guardrails (Part C1), Back Siderail (Part C3), Back Guardrails (Part C4) and Back Brace (Part C5).

3



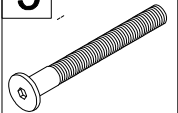
12(pcs)

6

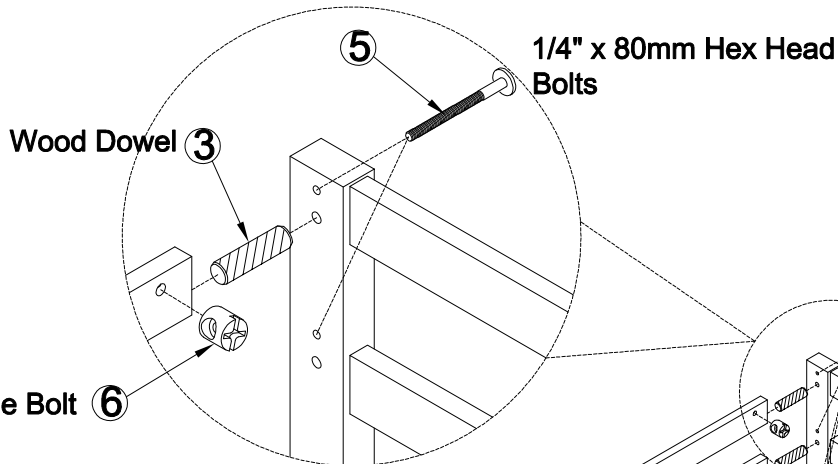


16(pcs)

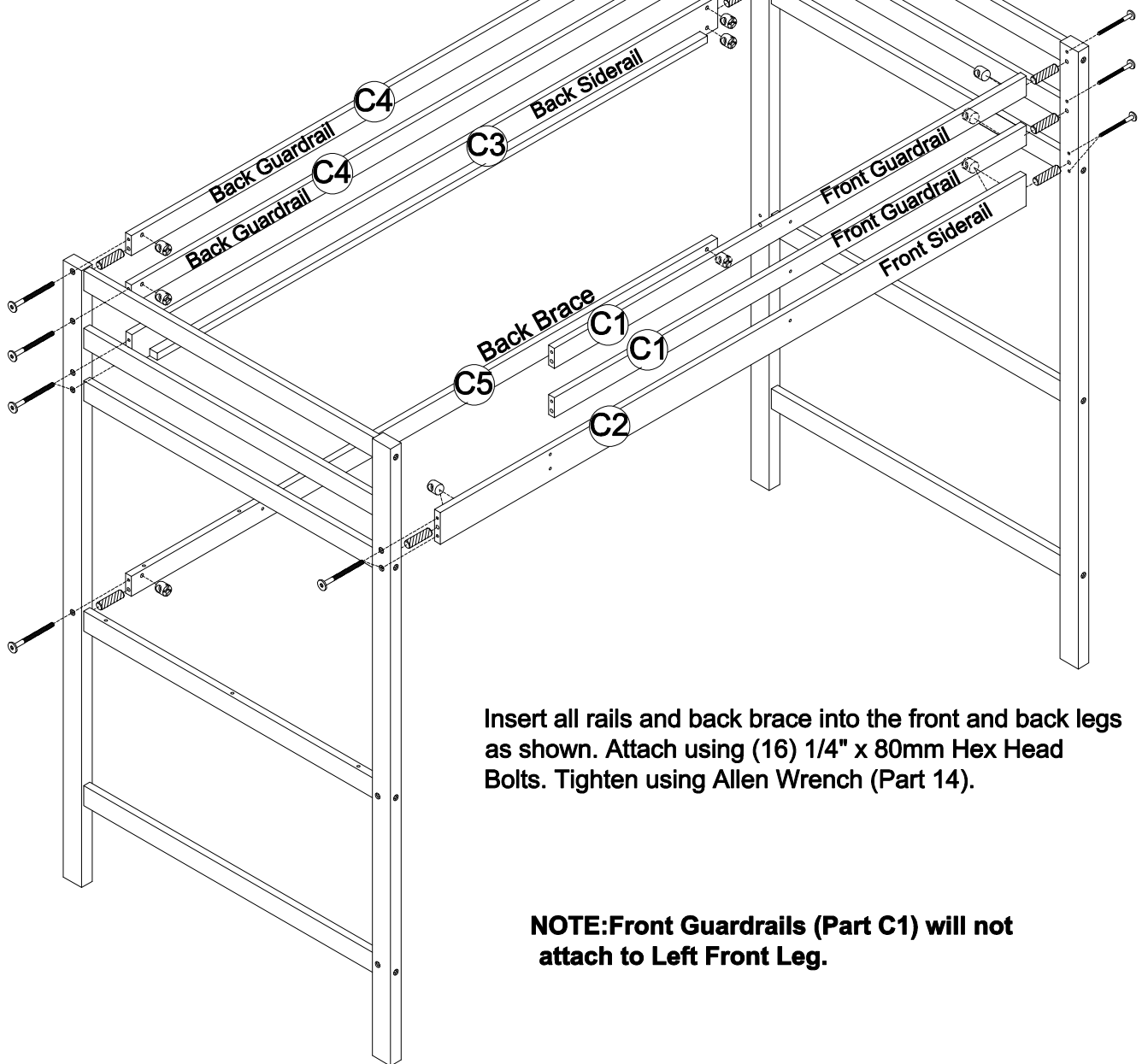
5



(16pcs)



Female Bolt Insert

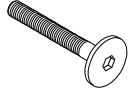
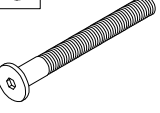
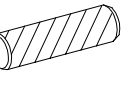

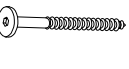



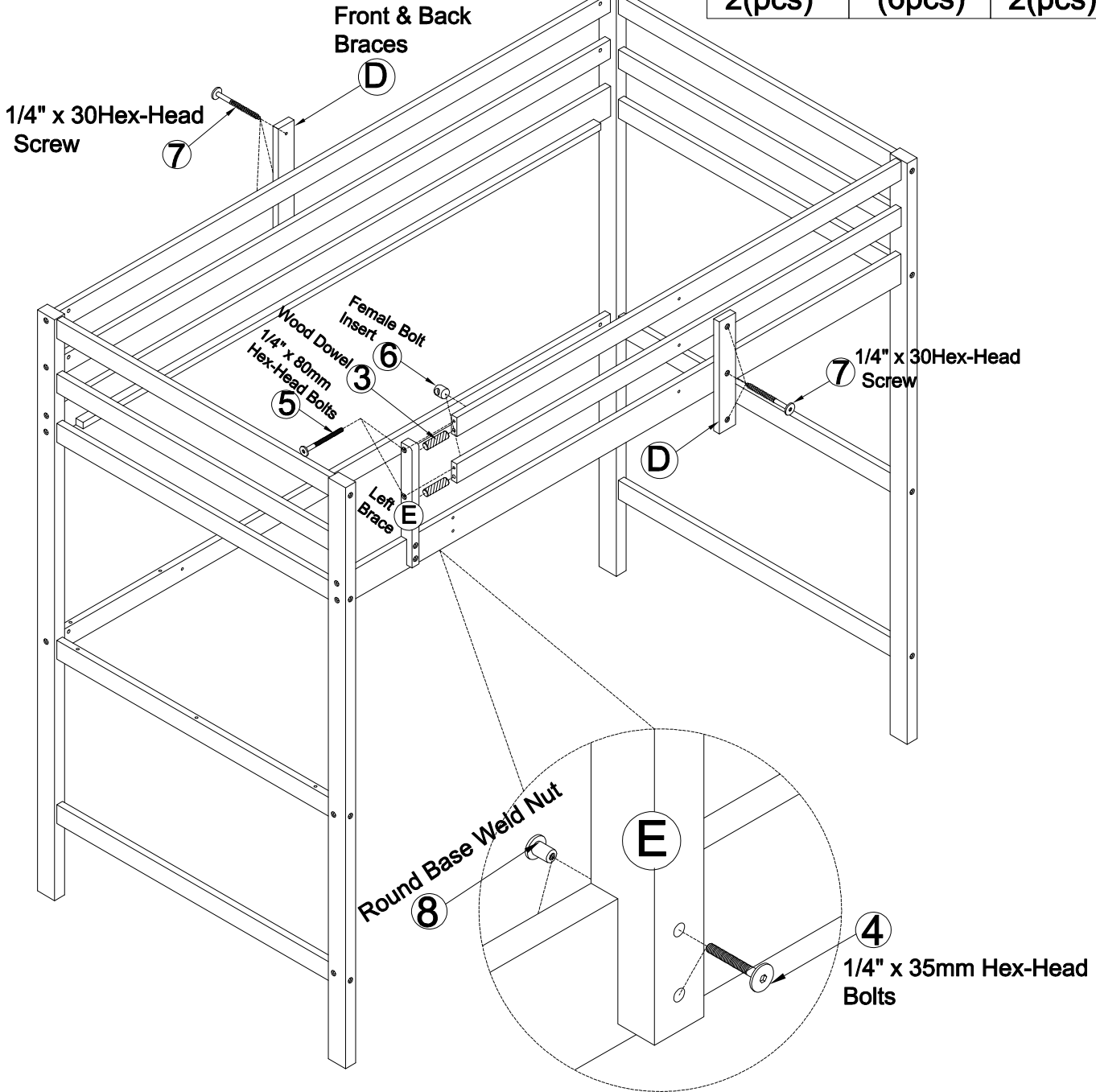
Insert all rails and back brace into the front and back legs as shown. Attach using (16) 1/4" x 80mm Hex Head Bolts. Tighten using Allen Wrench (Part 14).

NOTE: Front Guardrails (Part C1) will not attach to Left Front Leg.

Attach the Front & Back Braces (Part D) to the Front and Back Guardrail and Siderail using (6) 1/4" x 30 Hex-Head Screw (Part 7)

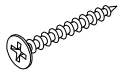
Insert (2) Wood Dowels (Part 3) and (2) Female Bolt Inserts (Part 6) into the left side of the Front Guardrails and insert into Left Brace (Part E). Attach Left Brace (Part E) to the Front Siderail using (2) 1/4" x 35mm Hex-Head Bolts (Part 4) and (2) Round Base Weld Nuts (Part 8). Secure Left Brace (Part E) to the Guardrails using (2) 1/4" x 80mm Hex-Head Bolts (Part 5). Tighten using Allen Wrench (Part 14).

4	5	3
		
(2pcs)	(2pcs)	2(pcs)
8	7	6
		
2(pcs)	(6pcs)	2(pcs)

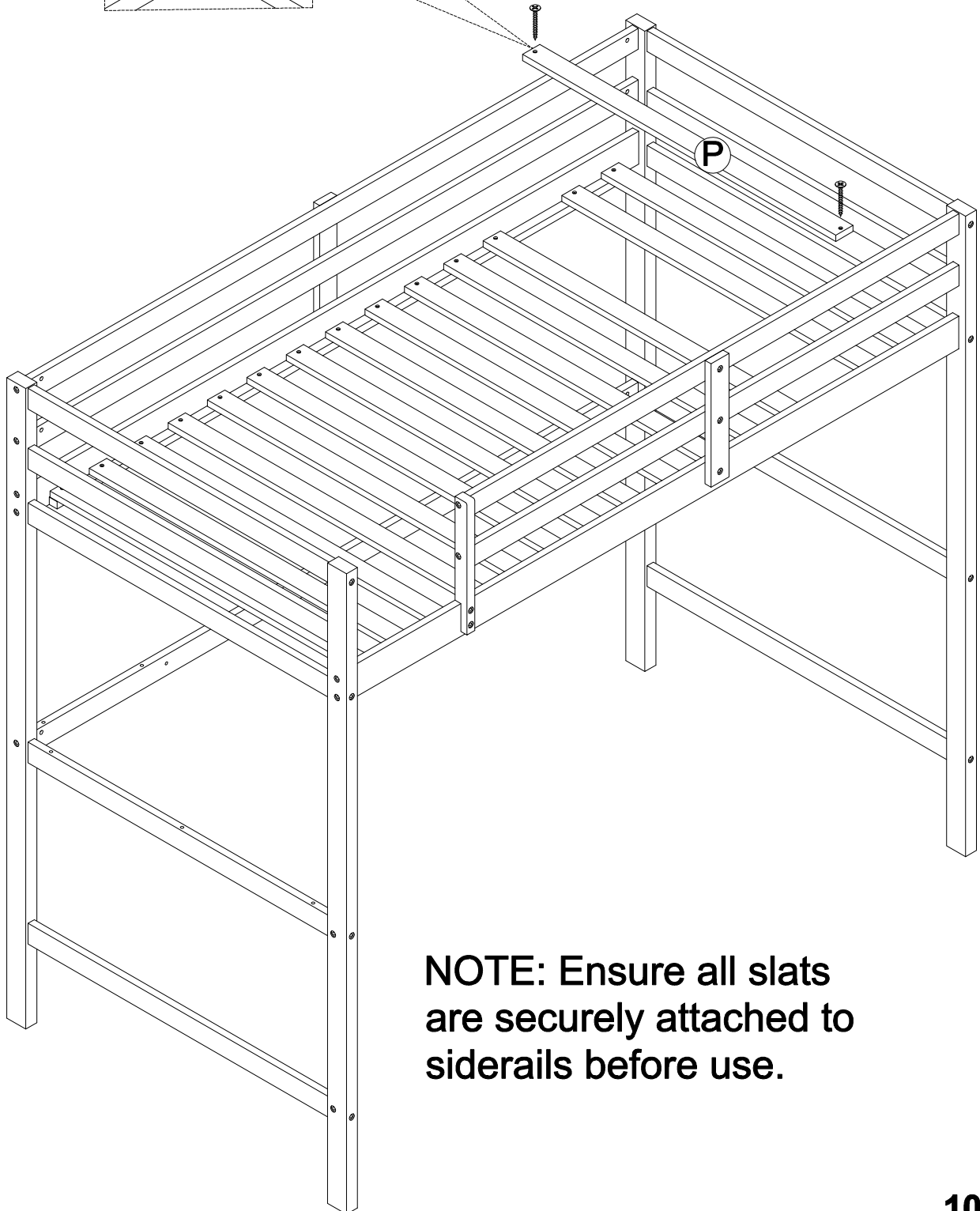
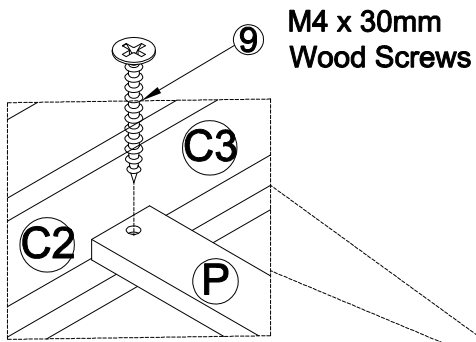


Attach (15) Slats to the Front and Back Siderails using (30) M4 x 30mm Wood Screws. Tighten using a Phillips Screwdriver

9



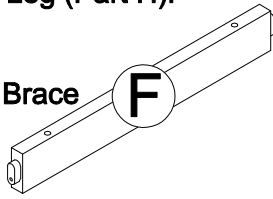
(30pcs)



NOTE: Ensure all slats are securely attached to siderails before use.

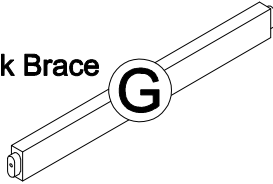
Insert wooden nodules in the Upper Front Desk Brace (Part F) and Lower Front Desk Brace (Part G) into the holes in the Front Center Leg (Part H).

Upper Front Desk Brace

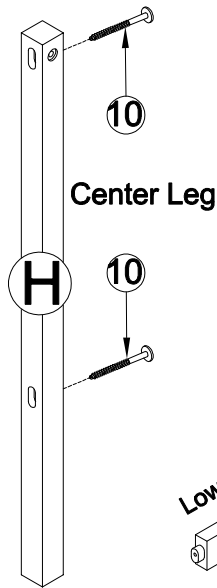


F

Lower Front Desk Brace



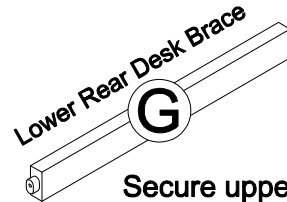
G



Center Leg

H

Insert wooden nodules in the Lower Rear Desk Brace (Part G) into the holes in the Back Center Leg (Part Q).



Lower Rear Desk Brace

G



Lower Rear Desk Brace

Q

10



(3pcs)

10

1/4 x 60 Hex Head Bolts

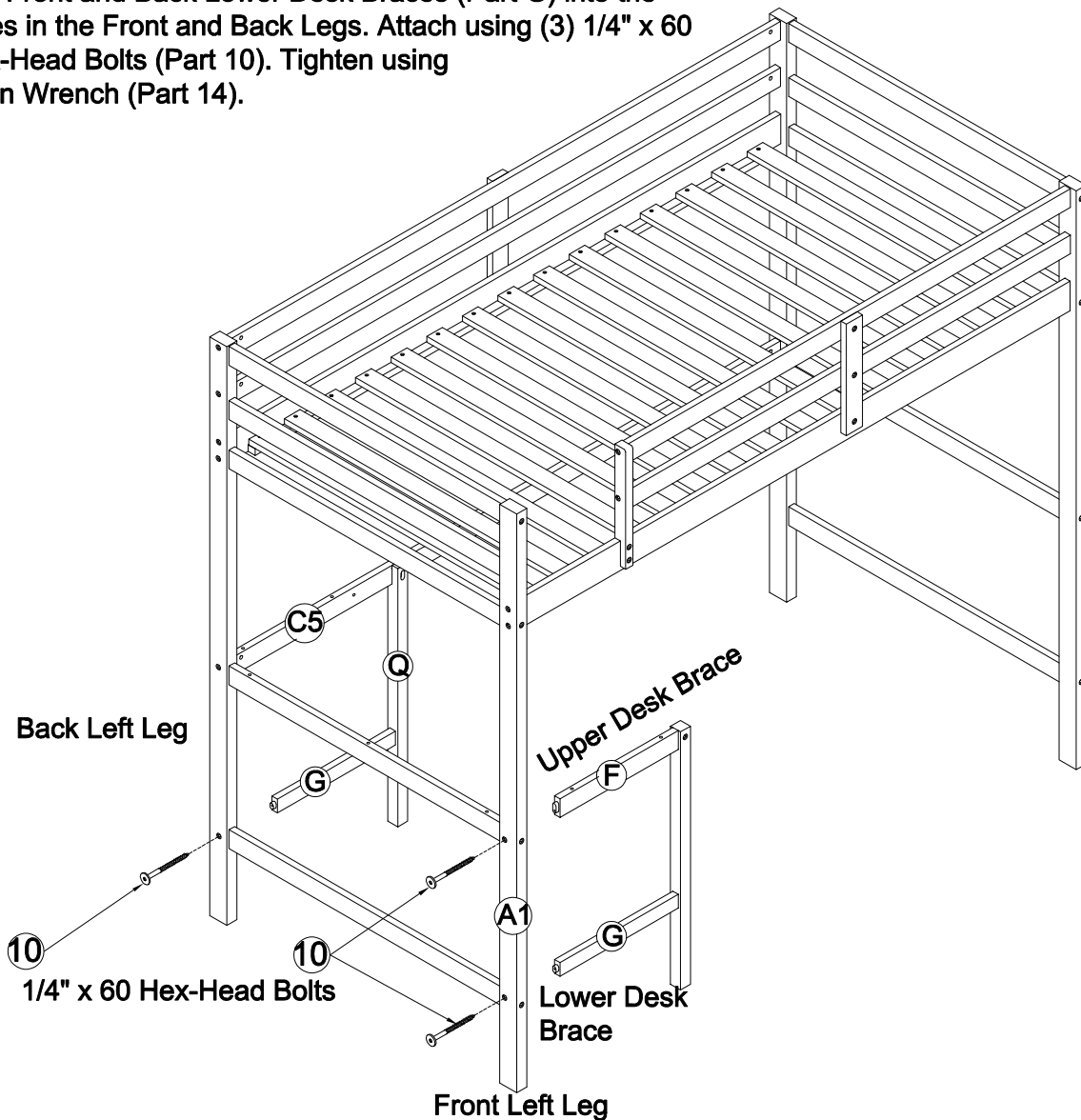
Secure upper and lower braces using (3) 1/4 x 60 Hex Head Bolts. Tighten using Allen Wrench (Part 14).

Insert wooden nodules in the Upper Front Desk Brace (Part F) and Front and Back Lower Desk Braces (Part G) into the holes in the Front and Back Legs. Attach using (3) 1/4" x 60 Hex-Head Bolts (Part 10). Tighten using Allen Wrench (Part 14).

10



(3pcs)



Back Left Leg

Upper Desk Brace

Lower Desk Brace

Front Left Leg

10

1/4" x 60 Hex-Head Bolts

10

A1

C5

Q

G

F

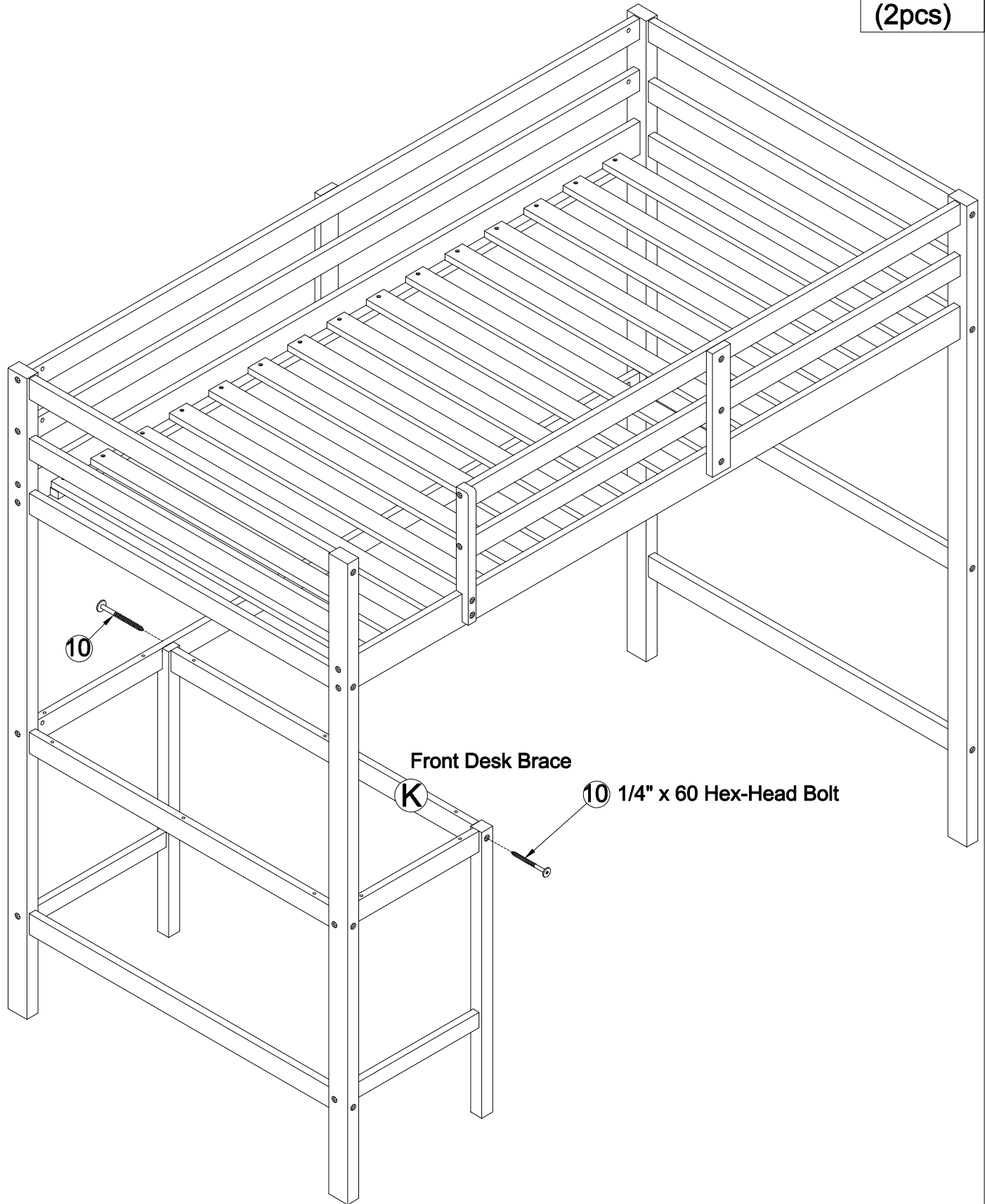
G

Attach Front Desk Brace (Part K) to the Front and Back Center Legs using (2) 1/4" x 60 Hex-Head Bolts. Tighten using Allen Wrench (Part 14).

10

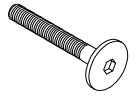


(2pcs)

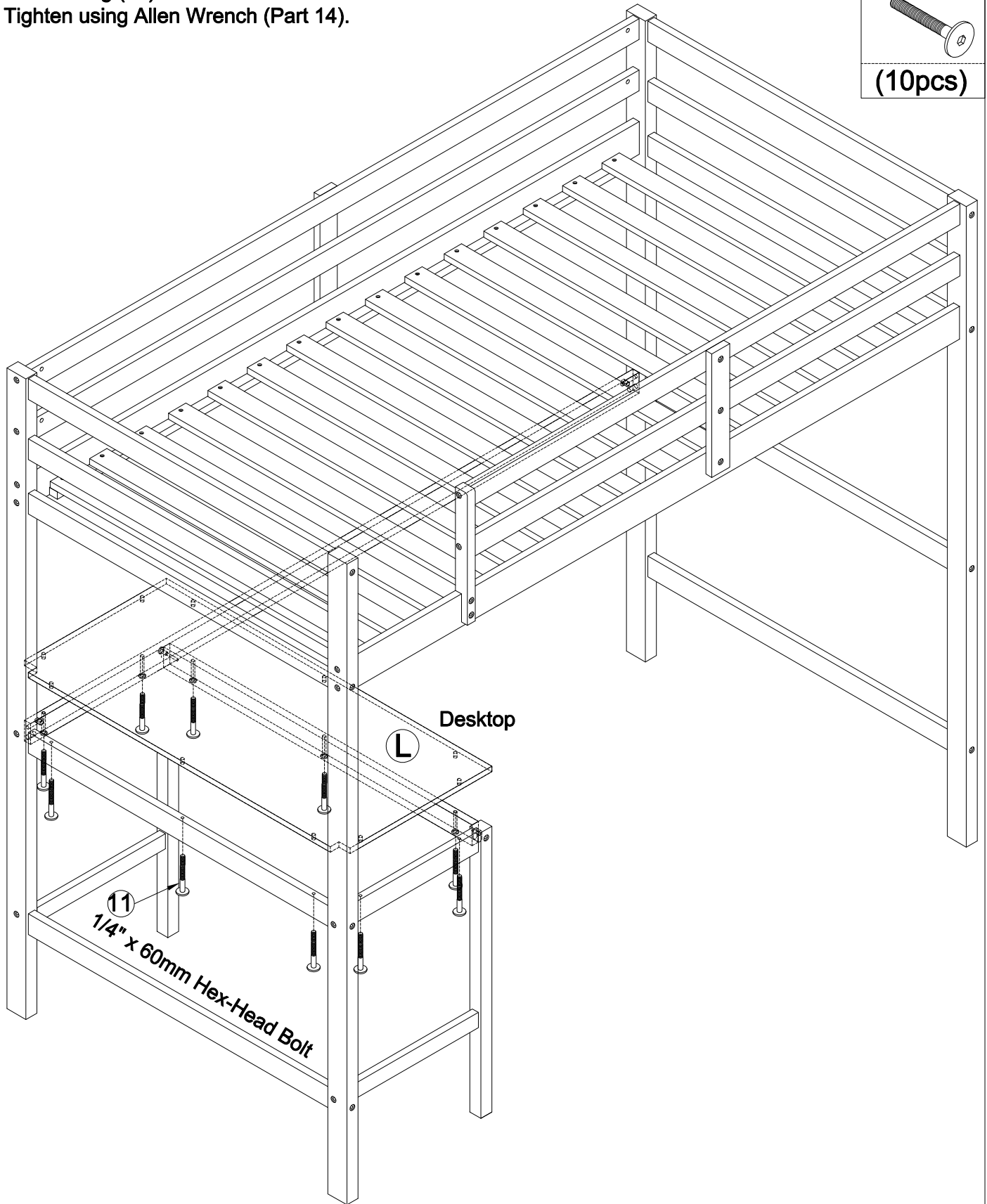


Attach the Desktop (Part L) to the assembled frame using (10) 1/4" x 60mm Hex-Head Bolts. Tighten using Allen Wrench (Part 14).

11



(10pcs)



Insert (20) Wood Dowels into the (5) Ladder Steps (Part O). Attach to the Left Ladder Rail (Part M) and Right Ladder Rail (Part N) using (10) 1/4" x 50 Screws. Tighten using Phillips Screwdriver.

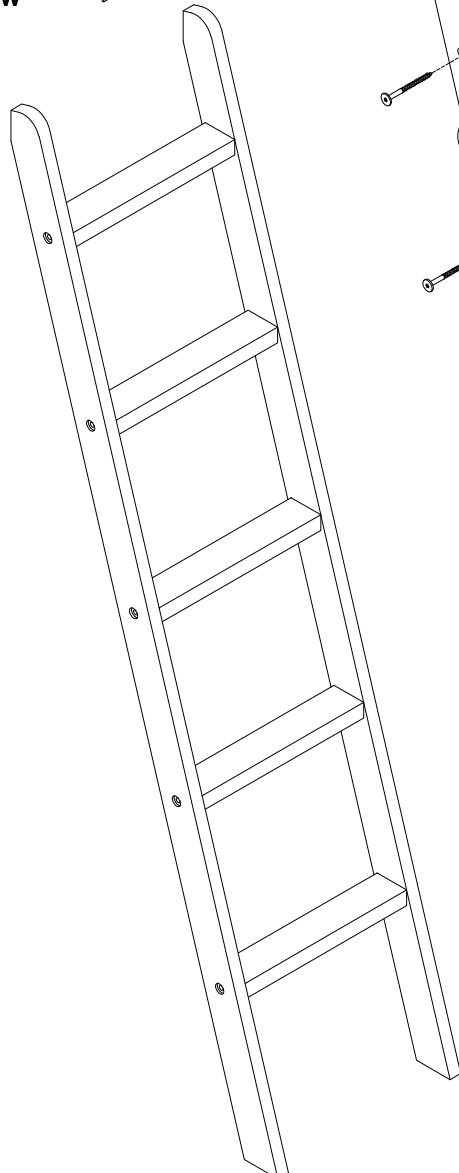
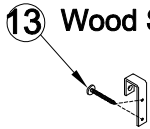
1/4" x 50 Screw ②

Attach (2) Brackets to the inside of the assembled ladder using (4) M4 x 20mm Wood Screws. Tighten using a Phillips Screwdriver.

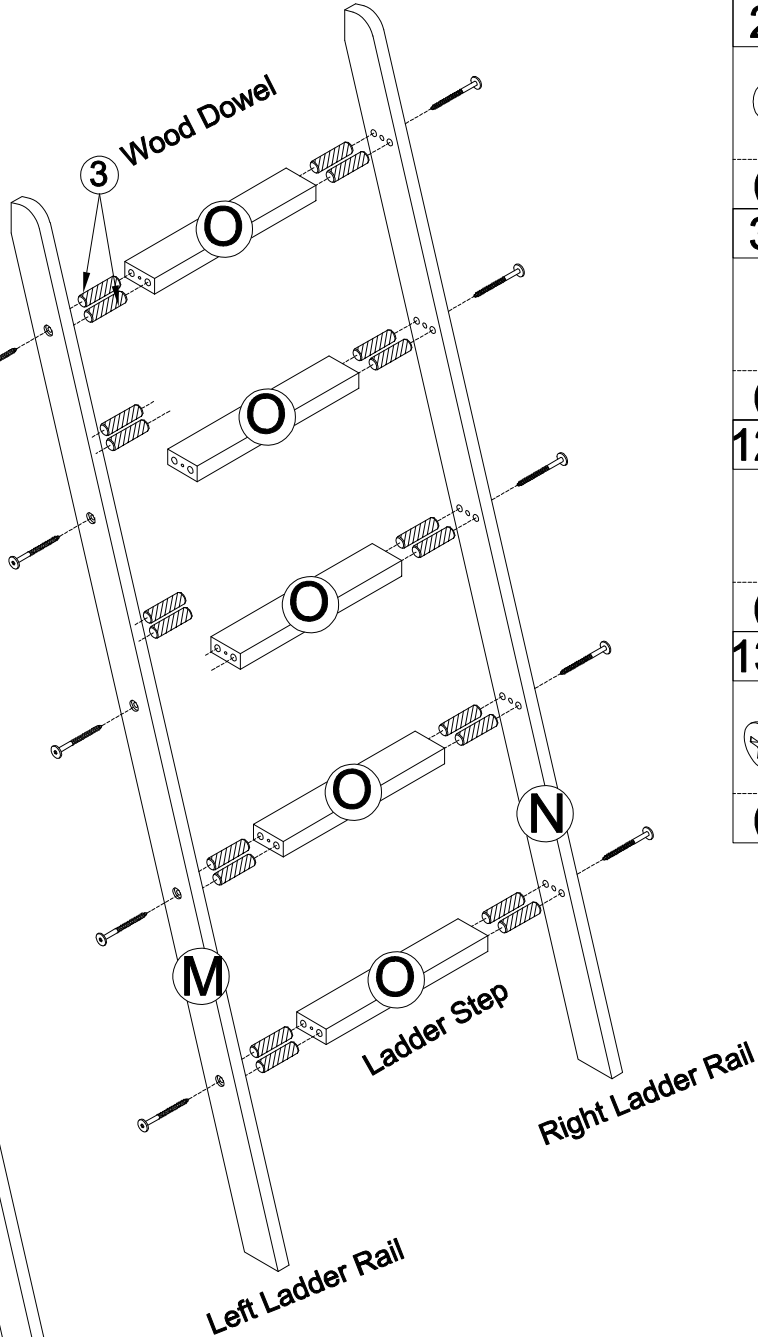
⑫

M4 x 20mm Wood Screw

Bracket



③ Wood Dowel



M

Ladder Step

Right Ladder Rail

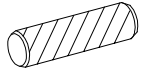
Left Ladder Rail

2



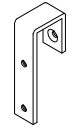
(10pcs)

3



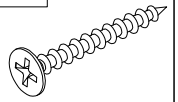
(20pcs)

12



(2pcs)

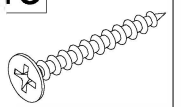
13



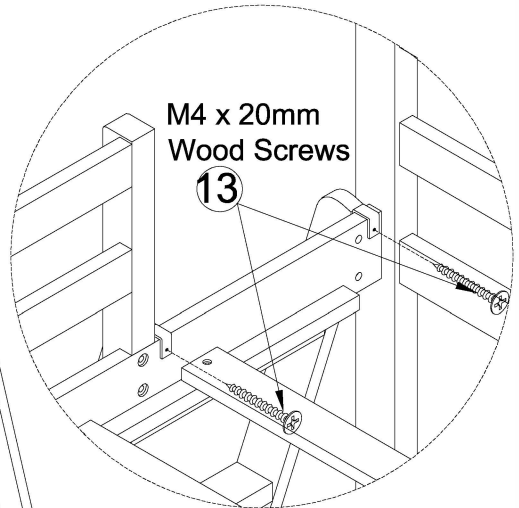
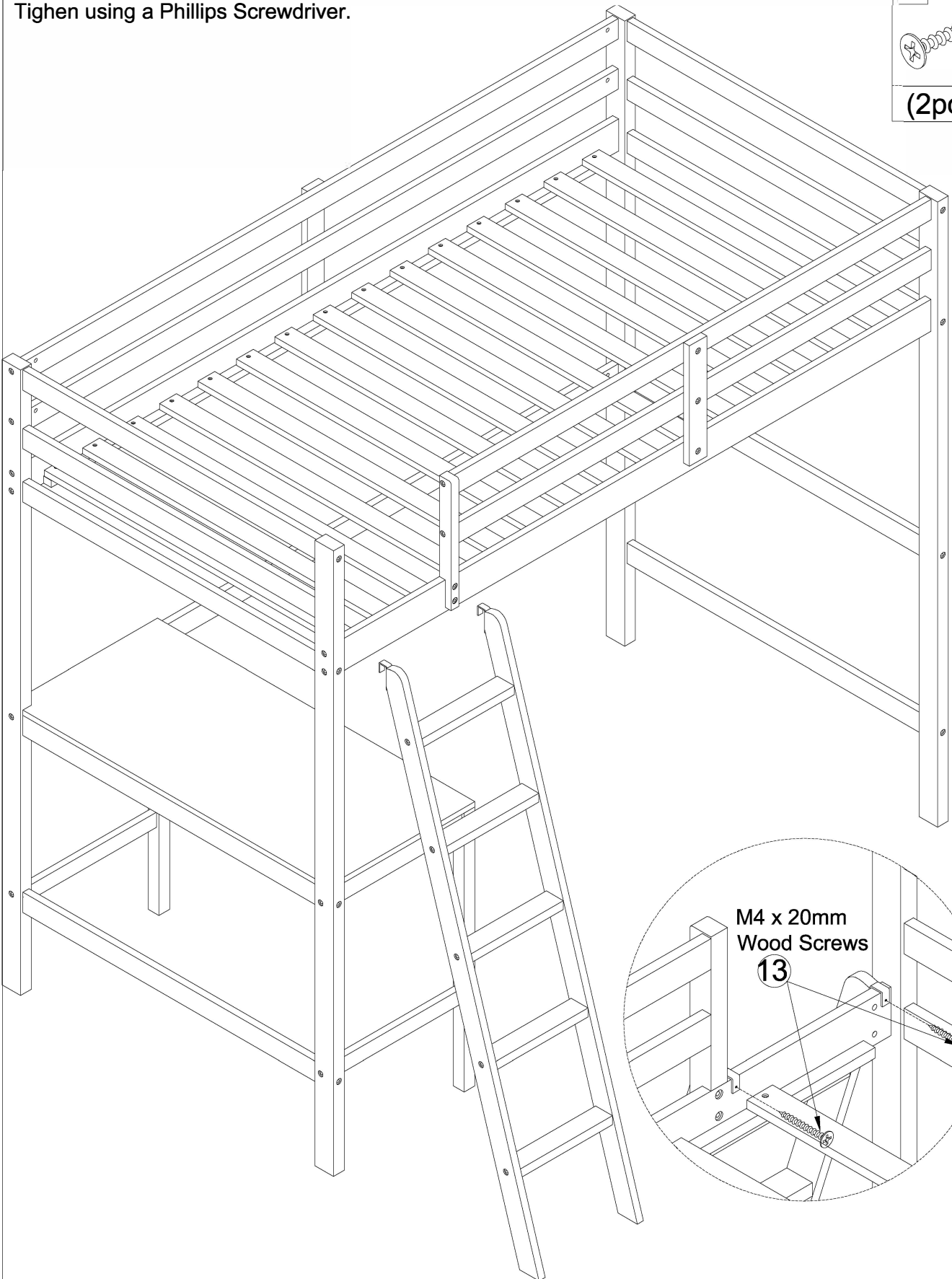
(4pcs)

Hook the brackets over the Front Siderail and attach using (2) M4 x 20mm Wood Screws.
Tighen using a Phillips Screwdriver.

13



(2pcs)

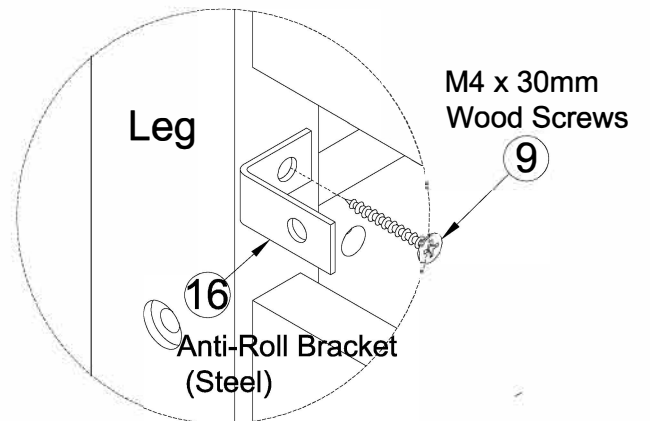
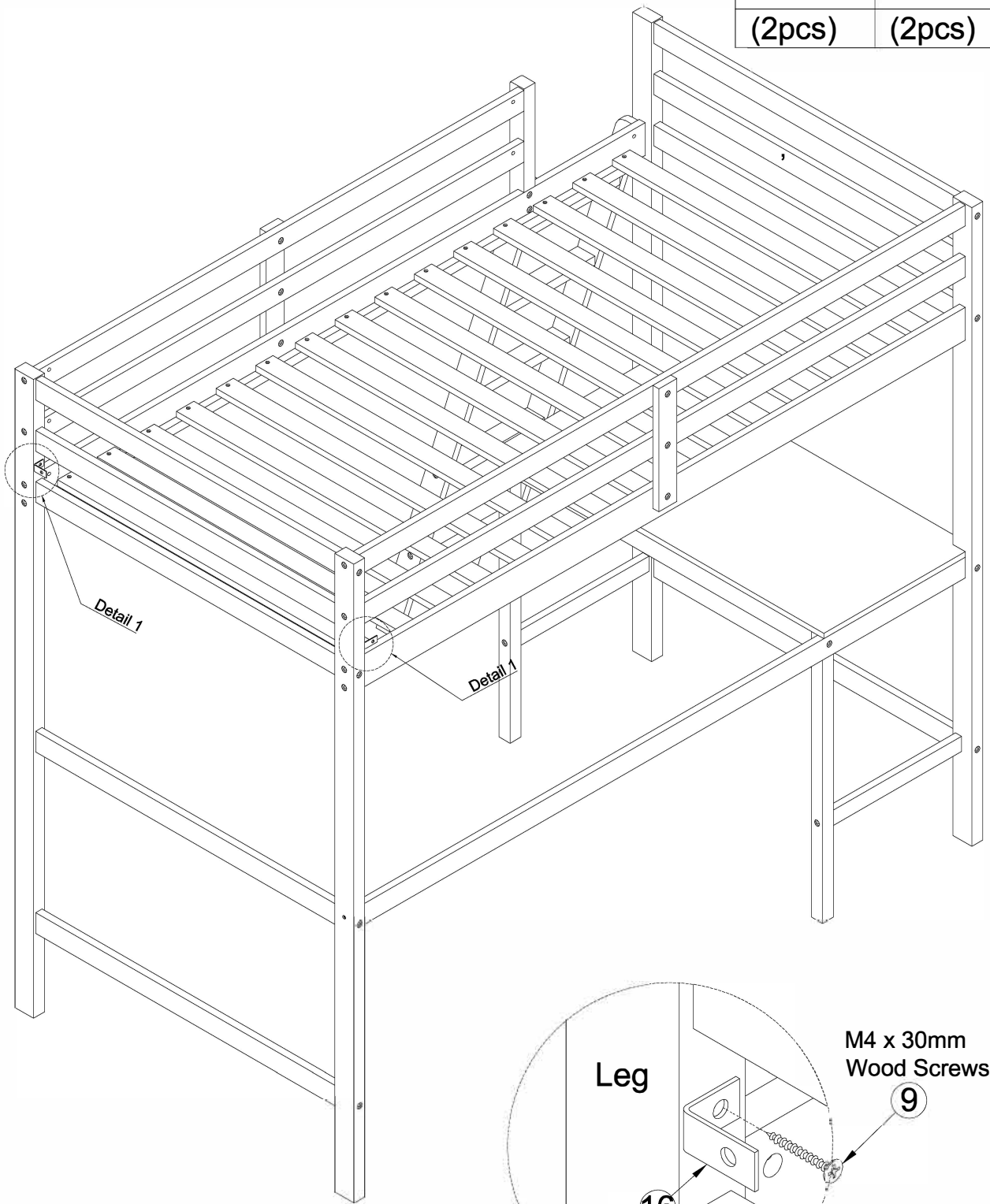


M4 x 20mm
Wood Screws

13

Attach Steel Bracket (Part 16) to the bed using (2) M4 x 30mm Wood Screws (Part 9). Tighten using a Phillips screwdriver.


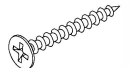
16	9
(2pcs)	(2pcs)



Detail 1 (x2)

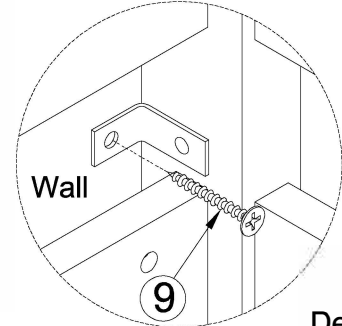
- Mark the desired position on the wall then drill hole $\text{\O}6 \times 40\text{mm}$ (deep)
- Use a hammer to gently push Wall Anchor into the wall.
- Align Wall Bracket hole with the pre-drilled hole then insert M4 x 30mm Wood Screw and tighten using a Phillips screwdriver or drill.



15 	9 
(2pcs)	(2pcs)

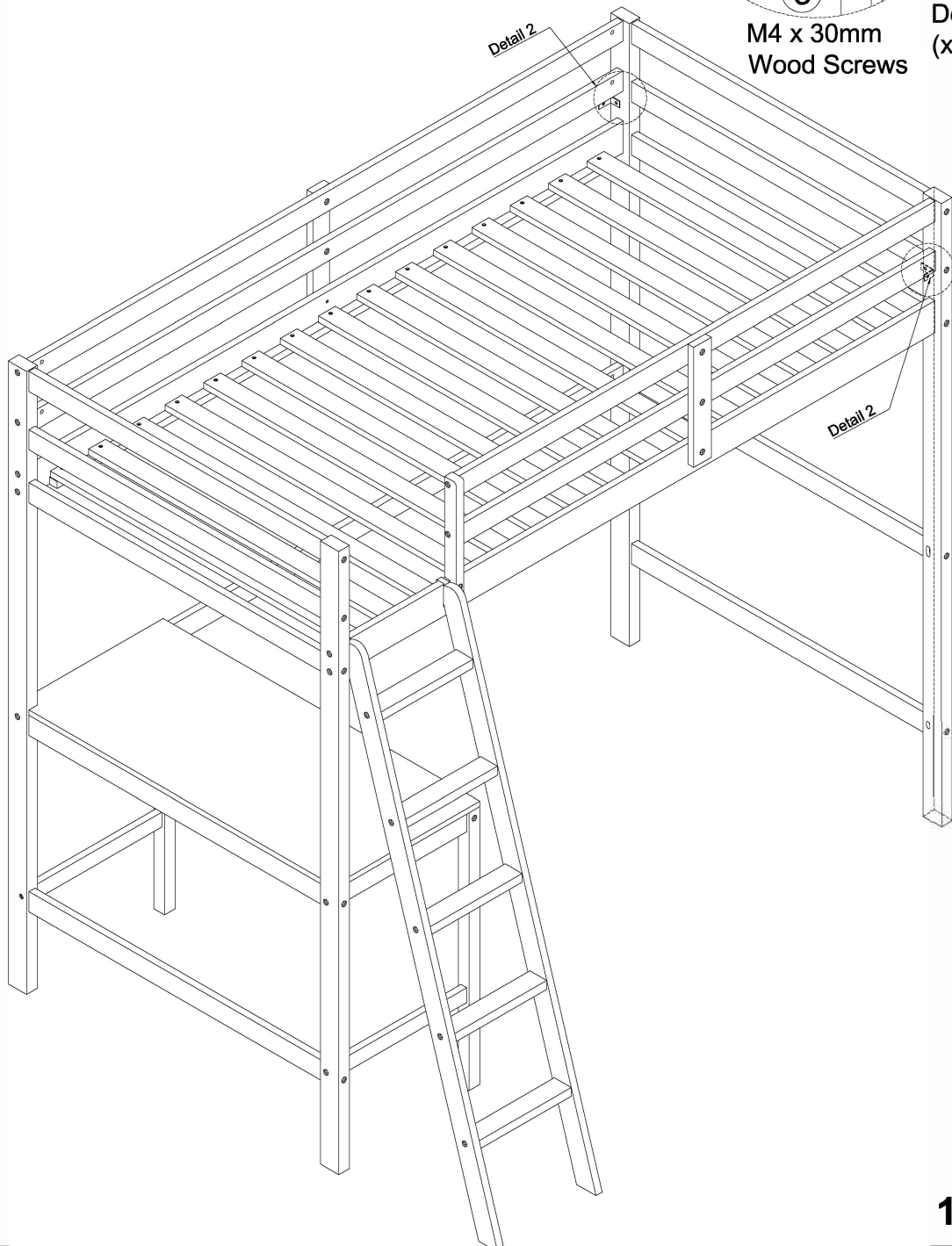


15



**M4 x 30mm
Wood Screws**

**Detail 2
(x2)**



Quality and Safety Guidelines:

- Never allow a child under 6 years of age on upper bunk.
- Use only mattresses which are 74" - 75" long and 37.5" - 38.5" wide on the upper bunk (Twin size)
- Use only mattresses which are 74" - 75" long and 52.5" - 53.5" wide on the upper bunk (Full size)
- Ensure thickness of the mattress does not exceed 9" and that the mattress is at least 5" below the upper edge of guardrails.
- Use guardrails on both sides of the upper bunk.
- Prohibit horseplay on or under the bunk/loft bed.
- Do not allow more than one person on the upper bunk.
- Use the ladder for entering and leaving the upper bunk.
- Use the loft bed wall anchors with this item. If you did not receive the wall anchors, please contact us at customerexperience@theubiquegroup.com or call 866-552-2810.
- Please use this item on a stable, level surface only. All loft bed legs should contact the flooring surface when in use. Do not use this item if any instability is detected.
- This item is intended for lying down, do not sit, climb or stand on this item.
- This item is intended for indoor use. Store indoors also.
- For product longevity, product safety and product integrity, please email us at customerexperience@theubiquegroup.com or call 866-552-2810 for storage instructions.
Please visit www.theubiquegroup.com for our product warranty details or email us at customerexperience@theubiquegroup.com or call 866-552-2810.
- For maintenance instructions and replacement parts, please email us at customerexperience@theubiquegroup.com or call 866-552-2810.
- Please follow the static and dynamic weight capacity limits provided on this item. If you are unsure of the weight capacities for this product, email us at customerexperience@theubiquegroup.com or call 866-552-2810.

STRANGULATION HAZARD:

Never attach or hang items to any part of the bunk bed that are not designed for use with the bed including, but not limited to, hooks, belts and jump ropes.