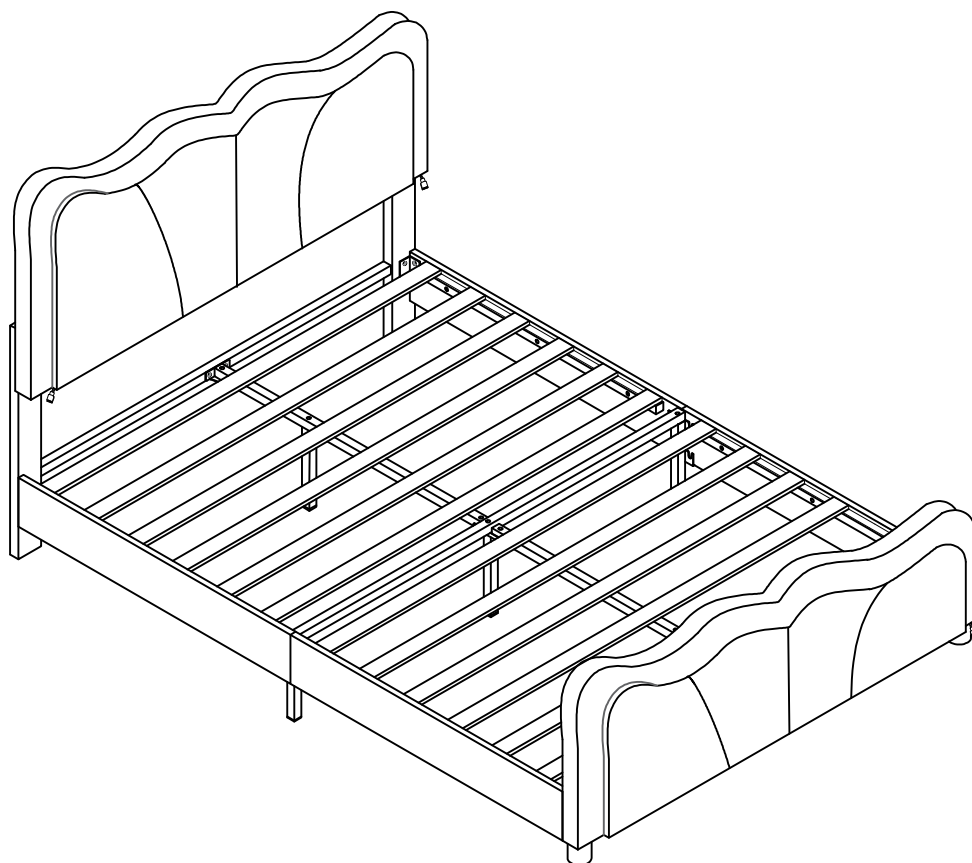
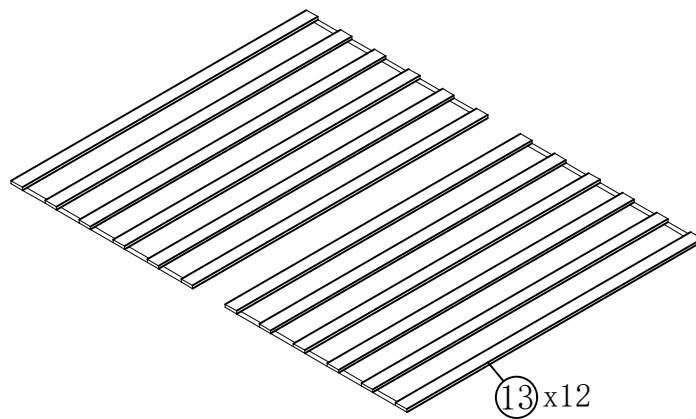
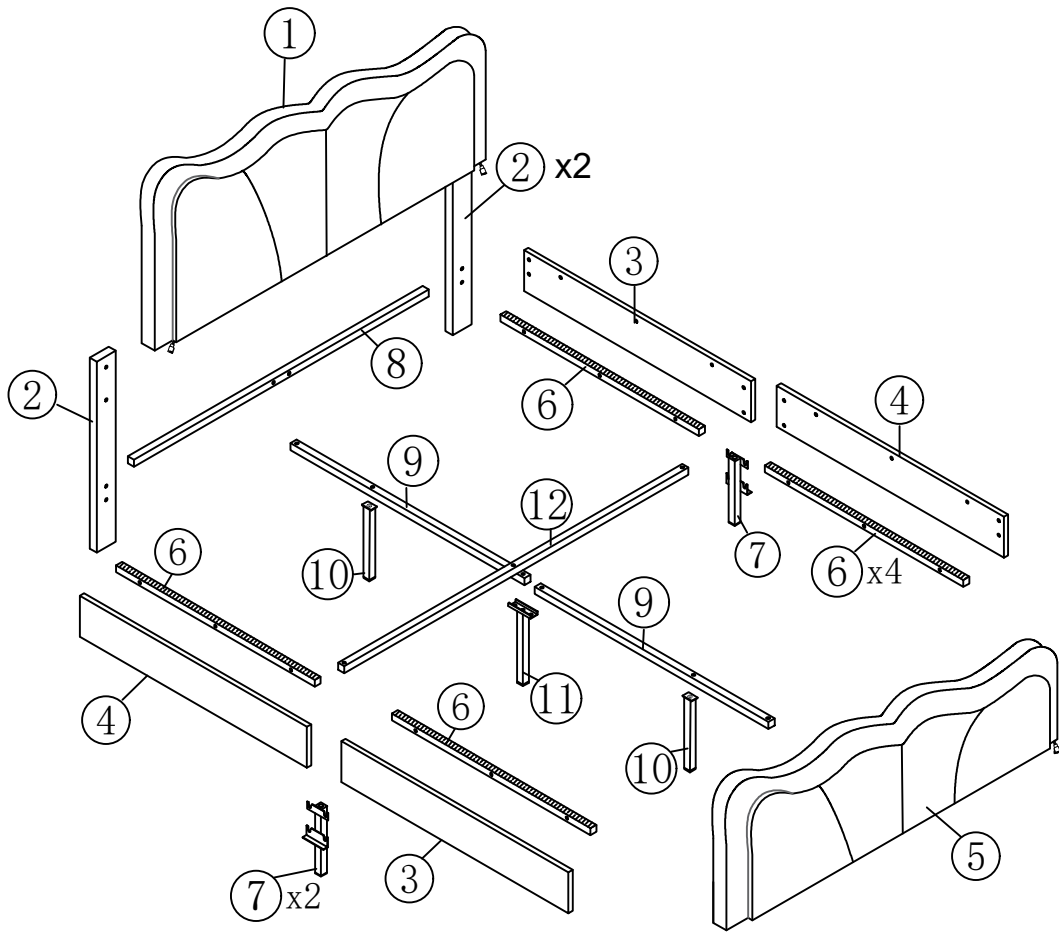


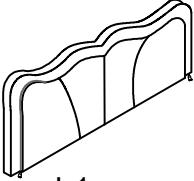

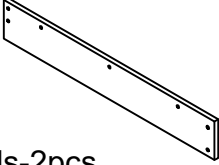
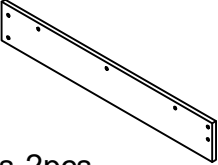
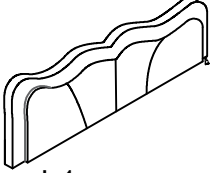
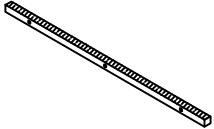

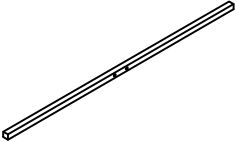
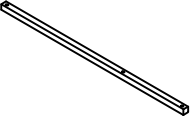

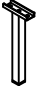
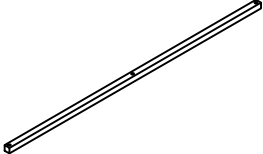
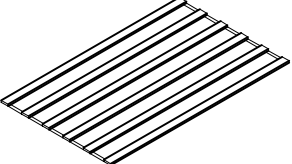
# ASSEMBLY INSTRUCTION







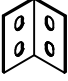
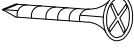





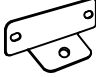
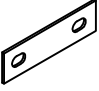
# Detail View



# Part List



<b>1</b>  Head board-1pc	<b>2</b>  Head board legs-2pcs	<b>3</b>  Siderails-2pcs
<b>4</b>  Siderails-2pcs	<b>5</b>  Foot board-1pc	<b>6</b>  Side rails support bar-4pcs
<b>7</b>  Side rails support legs-2pcs	<b>8</b>  Head board cross bar-1pc	<b>9</b>  Center support bar-2pcs
<b>10</b>  Middle support leg-2pcs	<b>11</b>  Connected support leg-1pc	<b>12</b>  Cross bar-1pc
<b>13</b>  Slats-12pcs		

# Hardware List

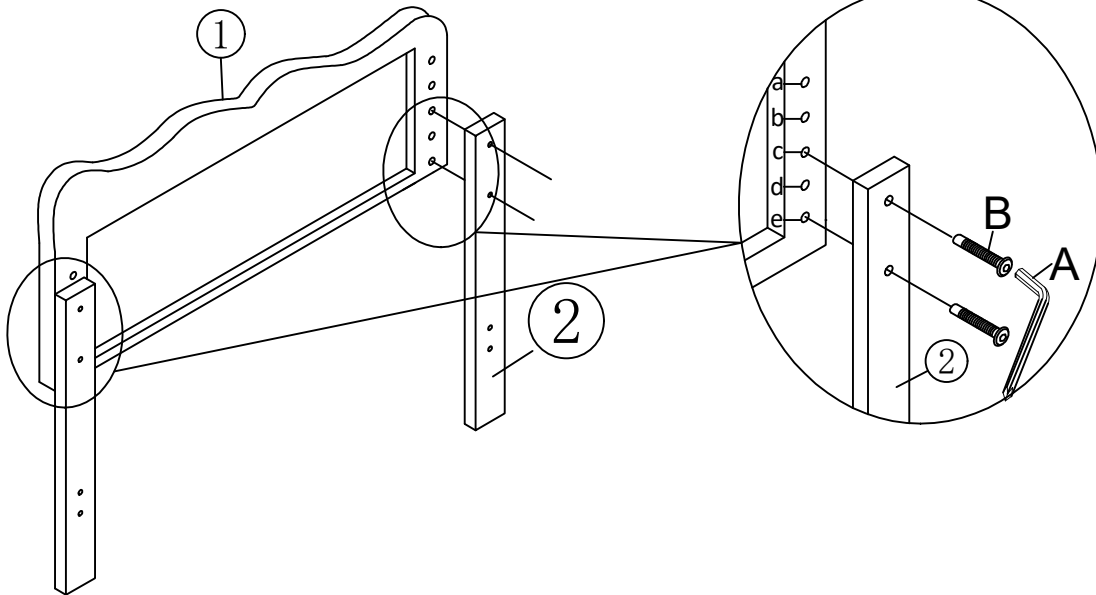
<p><b>A</b></p>  <p>20*70mm</p>	<p><b>B</b></p>  <p>Ø8*50mm</p>	<p><b>C</b></p>  <p>Ø8*18mm</p>
<p>Allen Key(2pcs)      Bolts(4pcs)      Bolts(32pcs)</p>		
<p><b>D</b></p>  <p>Ø8*40mm</p>	<p><b>E</b></p>  <p>77*33**33*3mm</p>	<p><b>F</b></p>  <p>Ø3*16mm</p>
<p>Bolts(21pcs)      "7" Connector(4pcs)      Nails(10pcs)</p>		
<p><b>G</b></p>  <p>H:40mm</p>	<p><b>H</b></p> 	<p><b>I</b></p> 
<p>Bed legs(2pcs)      Buckle(5pcs)      Power adapter(1pc)</p>		
<p><b>J</b></p> 	<p><b>K</b></p> 	<p><b>L</b></p>  <p>28*32*86*2mm</p>
<p>LED Connecting line(1pc)      Color controller(1pc)      Center support bar fittings(2pcs)</p>		
<p><b>M</b></p> 		
<p>Two hole iron(2PCS)</p>		

Remark: We recommend you assemble your bed in the flat ground.


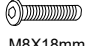

### Step 1

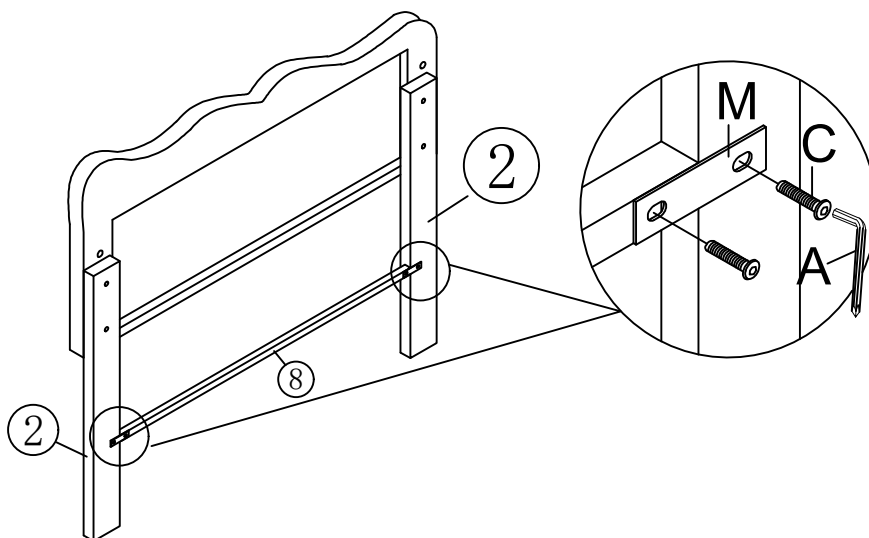
A	B
	 M8X50mm
	4PCS

Attention:  
You can chose the hole a  
and c ,or b and d,or c and e.


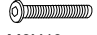


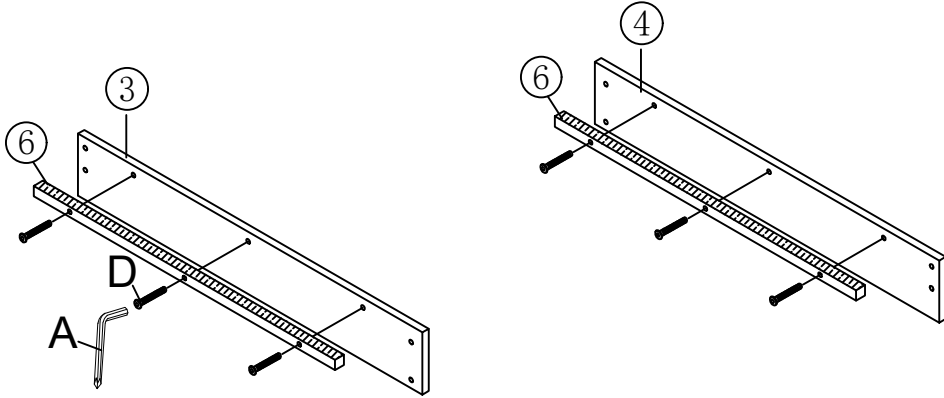
### Step 2

A	C	M
	 M8X18mm	
4PCS		2PCS





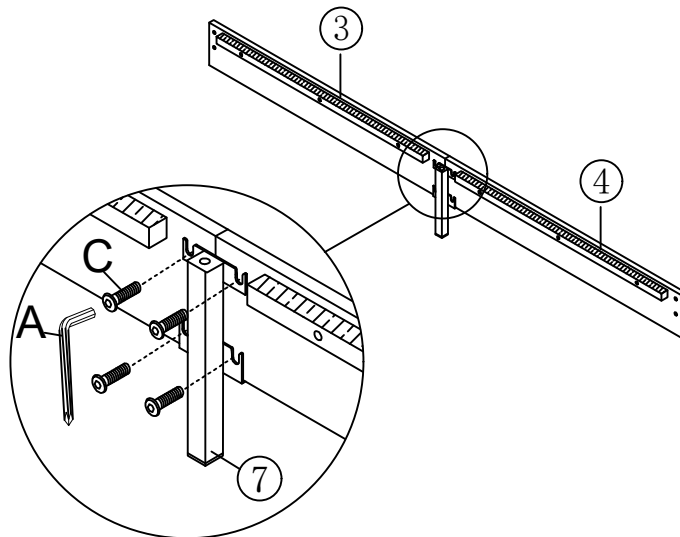
### Step 3 x2

A 	D  M8X40mm 12PCS
--	--



### Step 4 x2

A 	C  M8X18mm 8PCS
--	---

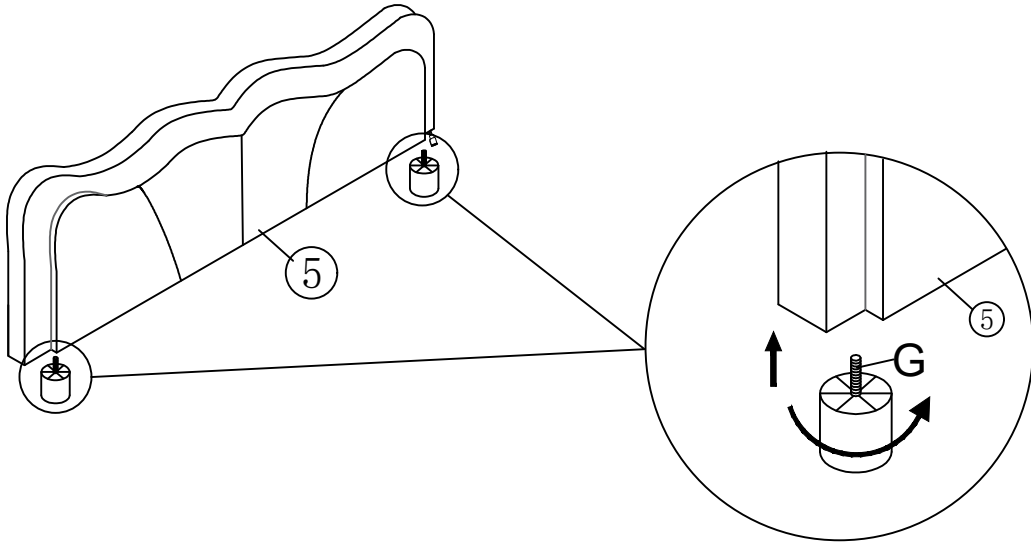


# Step 5

G



2PCS



# Step 6

A



C



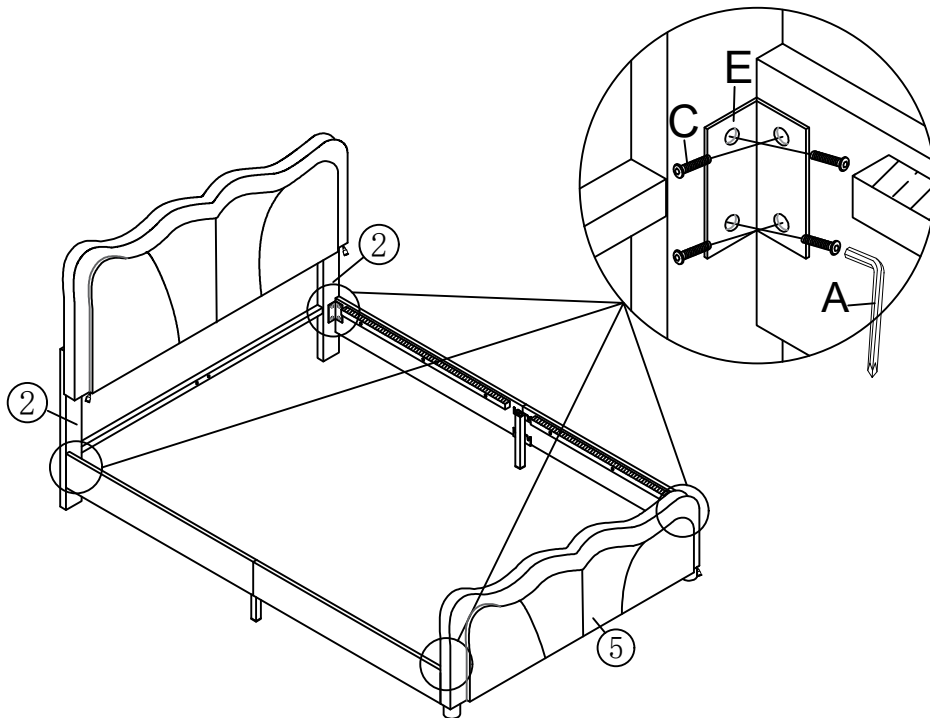
M8X18mm

16PCS


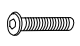
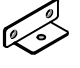
E

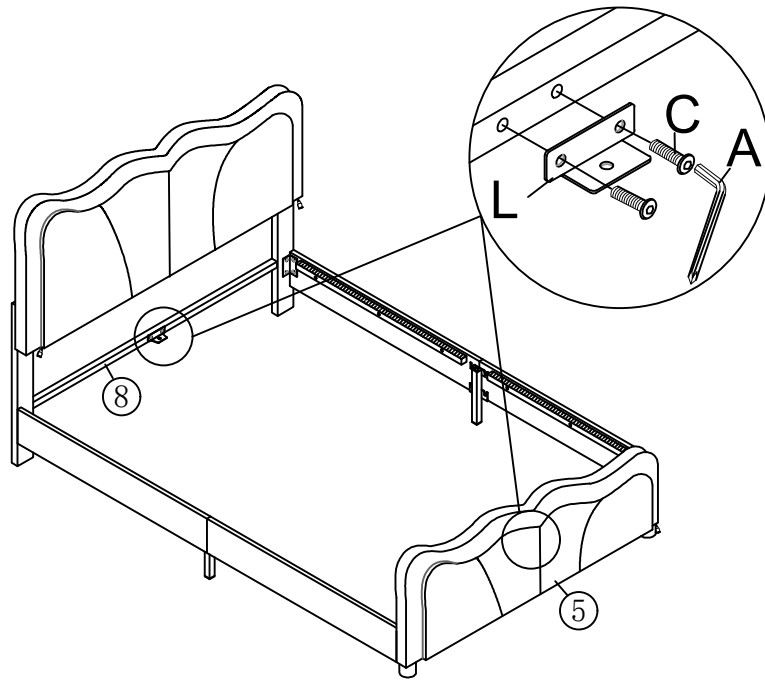


4PCS





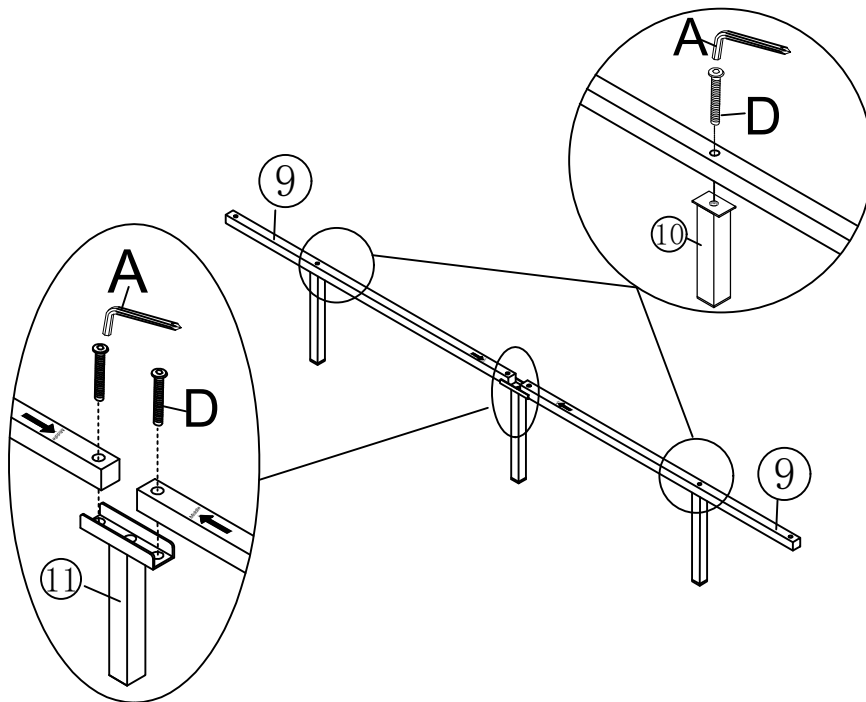
# Step 7

A	C	L
	 M8X18mm	
	4PCS	2PCS


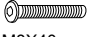


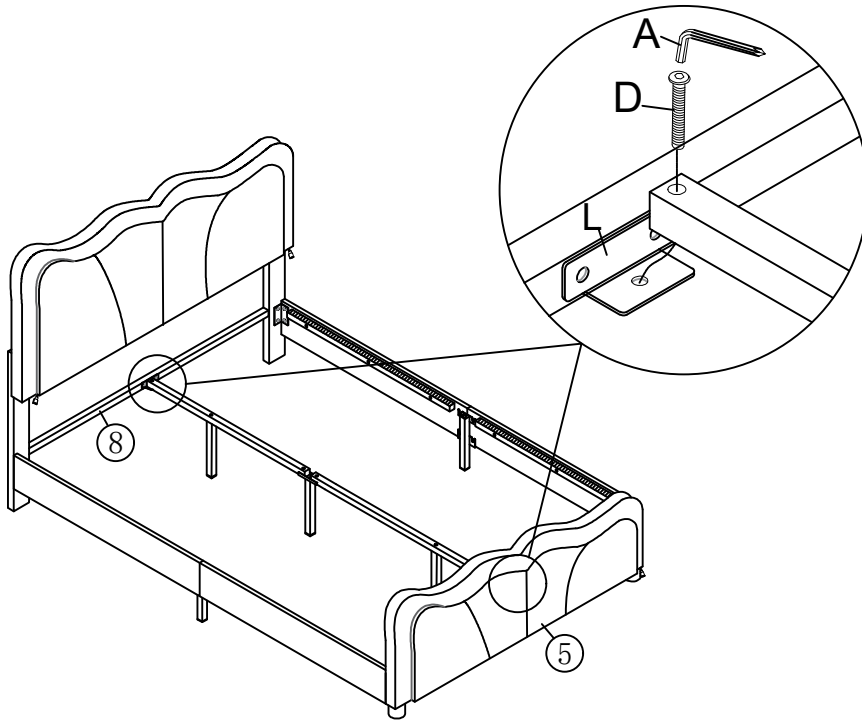
# Step 8

A	D
	 M8X40mm
	4PCS


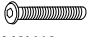


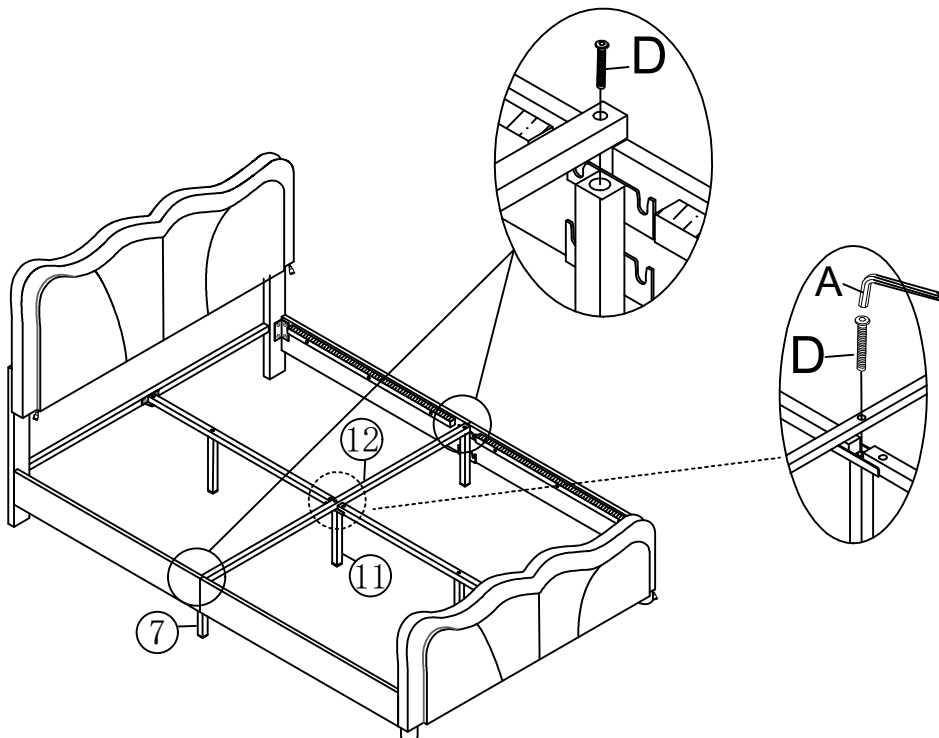
# Step 9

A	D
	 M8X40mm
2PCS	


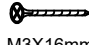




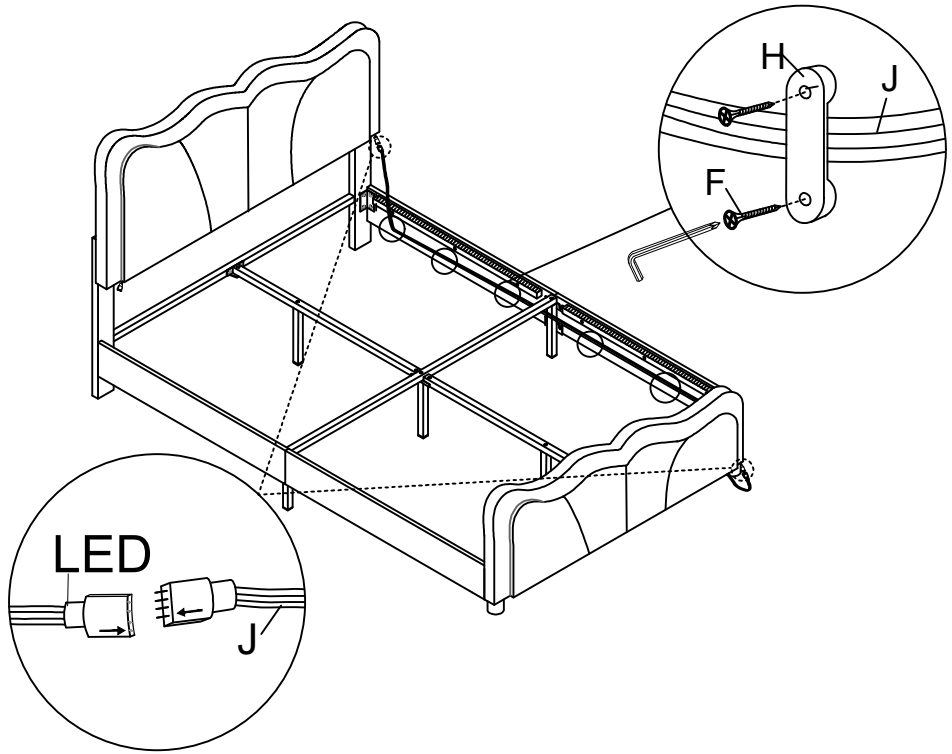
# Step 10

A	D
	 M8X40mm
3PCS	

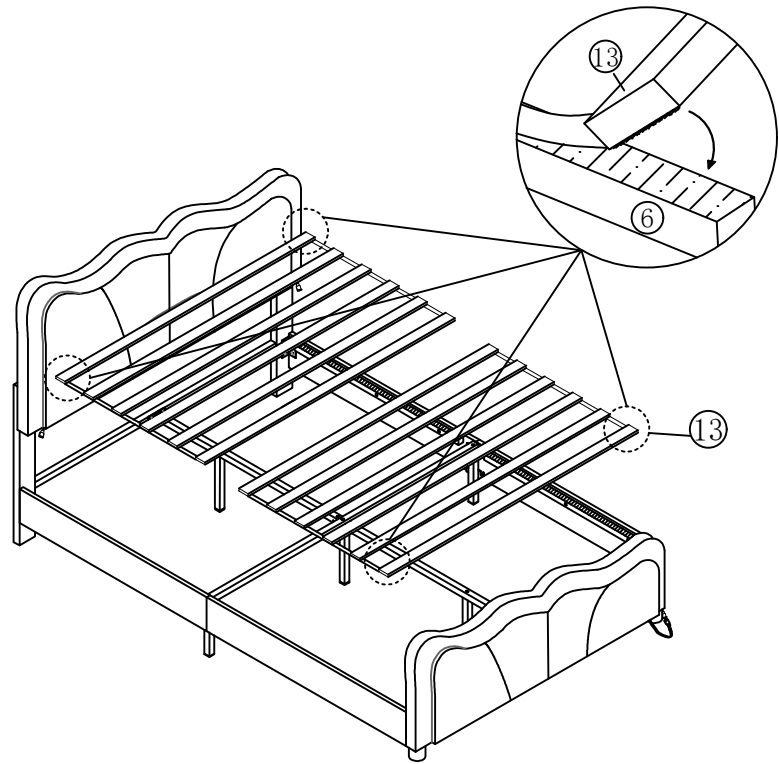


# Step 11



A 	F M3X16mm 10PCS 	H 5PCS 	J 1PC 
--	---	--	---

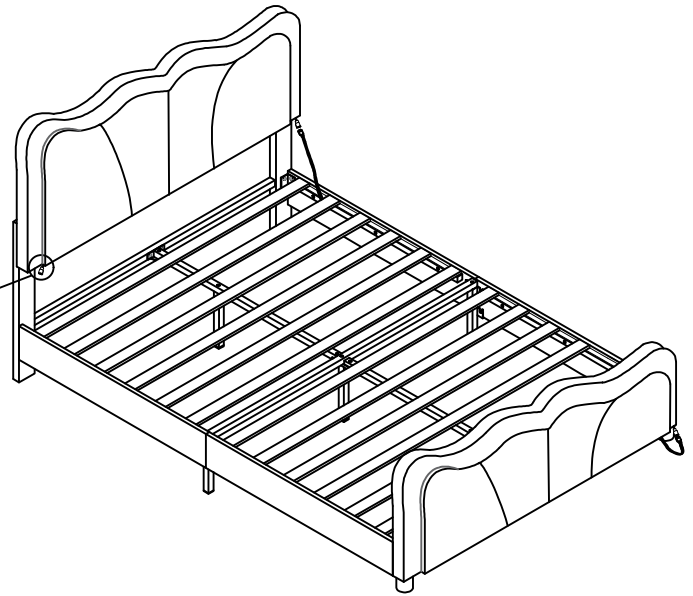
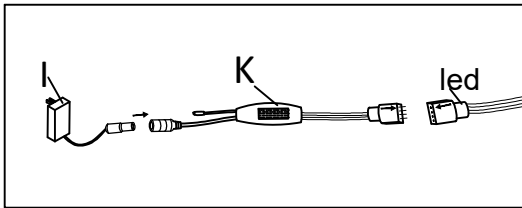


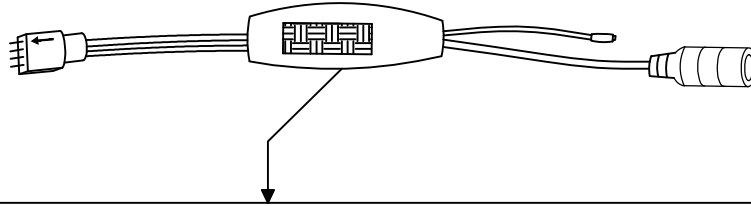
# Step 12



# Step 13

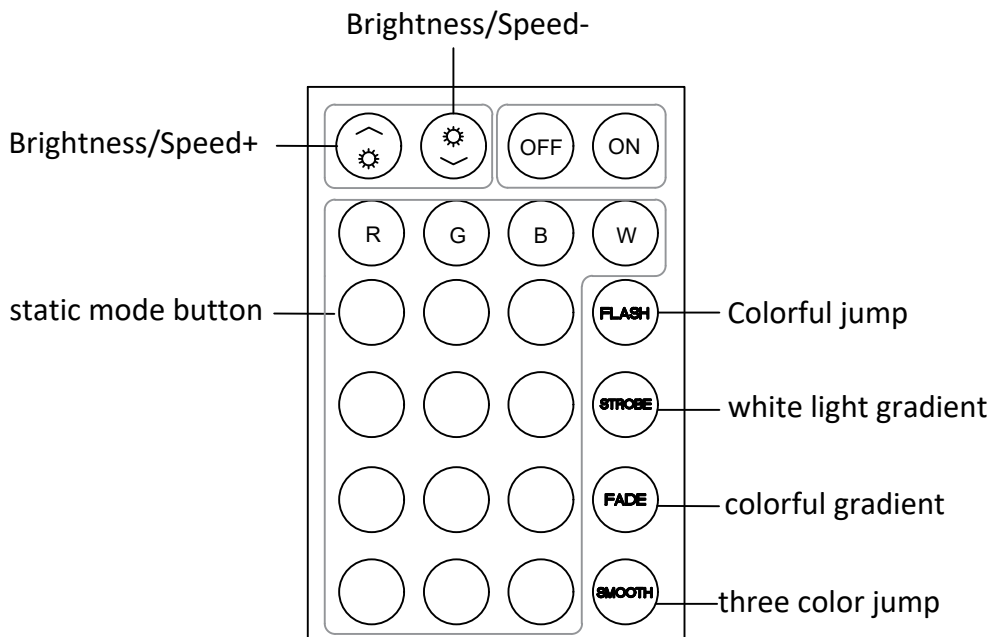
I	K
	
1PC	1PC





**NOTICE:**

You can scan the QR code here and download an app that can control the color of the light strip like a remote control. When your phone plays music through the app, the color of the light strip will also change according to the strength of the music.



**NOTICE:**

When you use the remote control board to control the color of the light, Please remove the clear plastic card first, then please be sure to point the remote control at the color controller K.