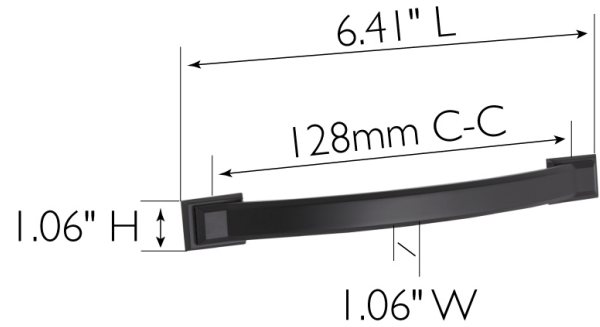


Devan Pull 5" Center-to-Center, 10-Pack
Matte Black



SPECIFICATIONS

MATERIAL CONSTRUCTION:	Zinc
MOUNTING HARDWARE INCLUDED:	Yes
TOOLS NEEDED FOR INSTALLATION:	Screwdriver
ASSEMBLED DIMENSIONS:	1.06" H x 6.41" L x 1.06" W
ASSEMBLED WEIGHT:	1.65 lbs.
PROJECTION:	1.06"
MOUNTING HARDWARE SIZE:	1/4" x 1" and 1/4" x 1 3/4"

WARRANTY:	1-Year limited warranty
LEGAL FOR SALE IN CALIFORNIA:	Yes



TYPE:
JOB:
ORDER CODE:
APPROVALS: