

FIREPLACE TV STAND

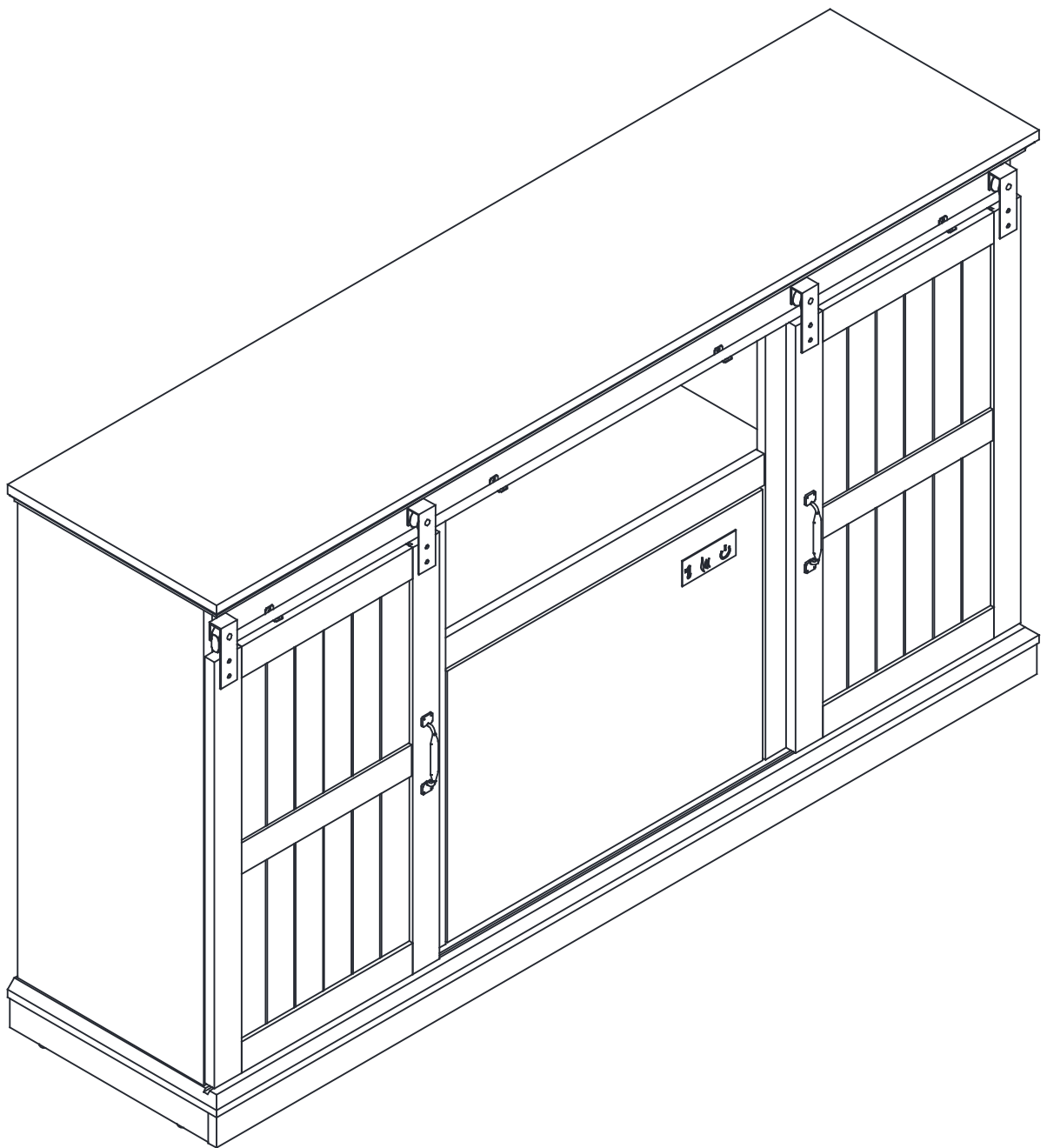
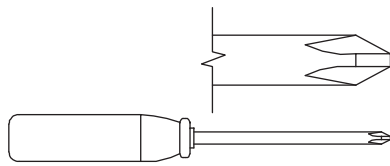


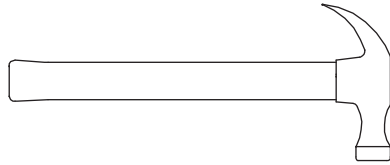
Table of Contents

Assembly Tools Required

Part Identification	3
Hardware Identification	4
Assembly Steps	5-30



No. 2 Phillips Screwdriver
Tip Shown Actual Size



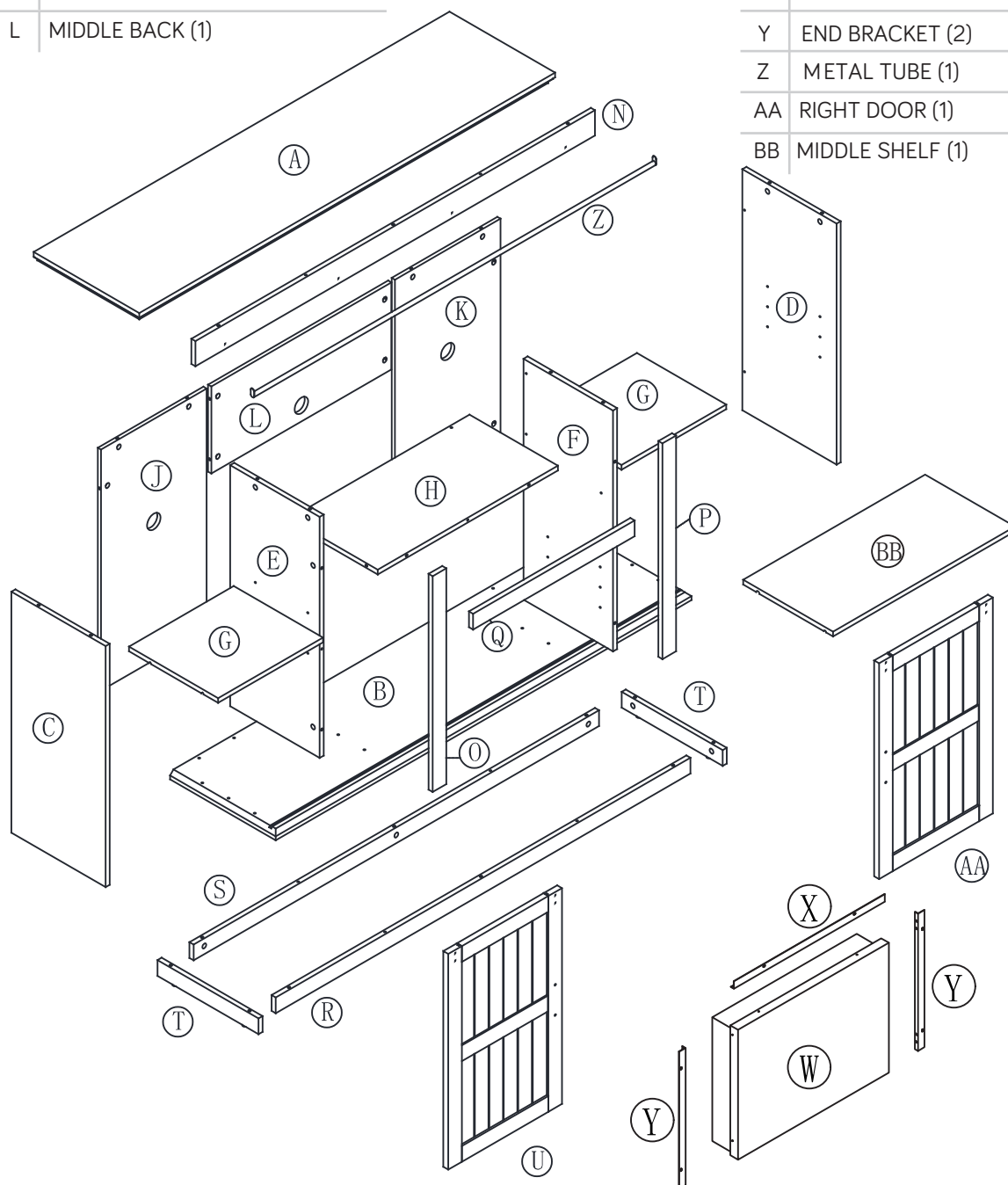
Hammer
Not actual size 😊

Part Identification

◆ While not all parts are labeled, some of the parts will have a label or an inked letter on the edge to help distinguish similar parts from each other. Use this part identification to help identify similar parts.

A	TOP (1)
B	BOTTOM (1)
C	LEFT END (1)
D	RIGHT END (1)
E	LEFT UPRIGHT (1)
F	RIGHT UPRIGHT (1)
G	ADJUSTABLE SHELF (2)
H	SHELF (1)
J	LEFT BACK (1)
K	RIGHT BACK (1)
L	MIDDLE BACK (1)

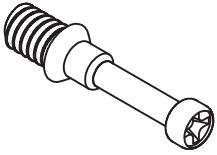
N	TOP MOLDING (1)
O	LEFT MOLDING (1)
P	RIGHT MOLDING (1)
Q	SHELF MOLDING (1)
R	BOTTOM FRONT MOLDING (1)
S	BOTTOM BACK MOLDING (1)
T	BOTTOM END MOLDING (2)
U	LEFT DOOR (1)
W	FIREPLACE (1)
X	TOP BRACKET (1)
Y	END BRACKET (2)
Z	METAL TUBE (1)
AA	RIGHT DOOR (1)
BB	MIDDLE SHELF (1)



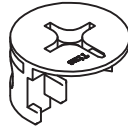
Hardware Identification

◆ Screws are shown actual size. You may receive extra hardware with your unit.

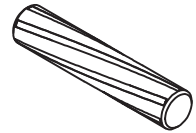
1 CAM SCREW - 43



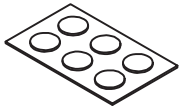
2 HIDDEN CAM - 43



3 WOOD DOWEL - 15



4 APPLIQUE CARD - 8



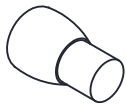
5 GROMMET - 3



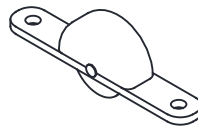
6 METAL BRACKET - 4



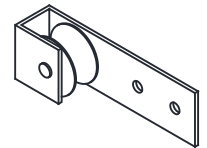
7 METAL PIN - 12



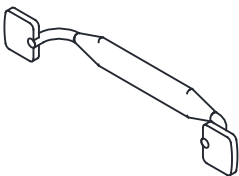
8 LOWER DOOR BRACKET - 4



9 UPPER DOOR BRACKET - 4



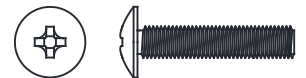
10 KNOB SET - 2



11 1-3/8" PAN HEAD SCREW - 14



12 3/4" MACHINE SCREW - 4



13 1/2" PAN HEAD SCREW - 8



14 1/2" FIAT HEAD SCREW - 8



15 5/8" FIAT HEAD SCREW - 8



16 WARNING LABEL - 1



ZZ 3/8" PAN HEAD SCREW - 15

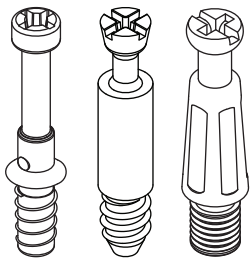


(Refer to the last step for proper location and application)

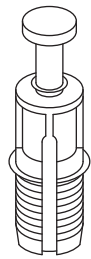
Hardware Usage Guide

HOW TO USE A HIDDEN CAM & CAM SCREW OR CAM DOWEL

1. NOTE: Various CAM SCREWS or a CAM DOWEL may be used.

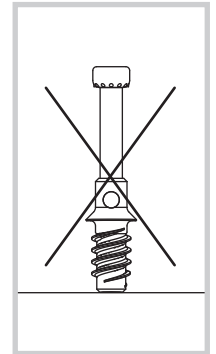
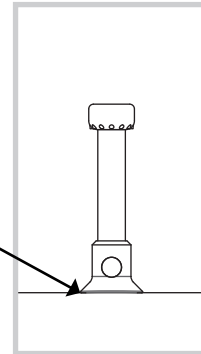


Cam Screws

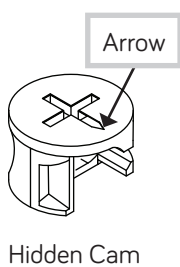


Cam Dowel

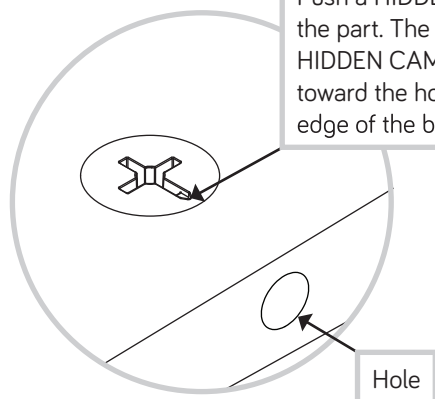
Turn the CAM SCREW or gently tap the CAM DOWEL until the shoulder is against the surface of the part.



- 2.



Arrow



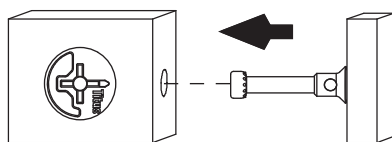
Push a HIDDEN CAM into the part. The arrow in the HIDDEN CAM must point toward the hole in the edge of the board.

Hole

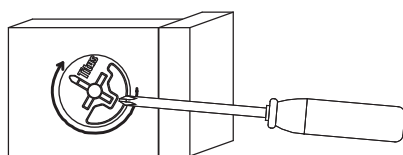
- 3.

Insert the CAM SCREW or CAM DOWEL into the HIDDEN CAM. Tighten the HIDDEN CAM.

1

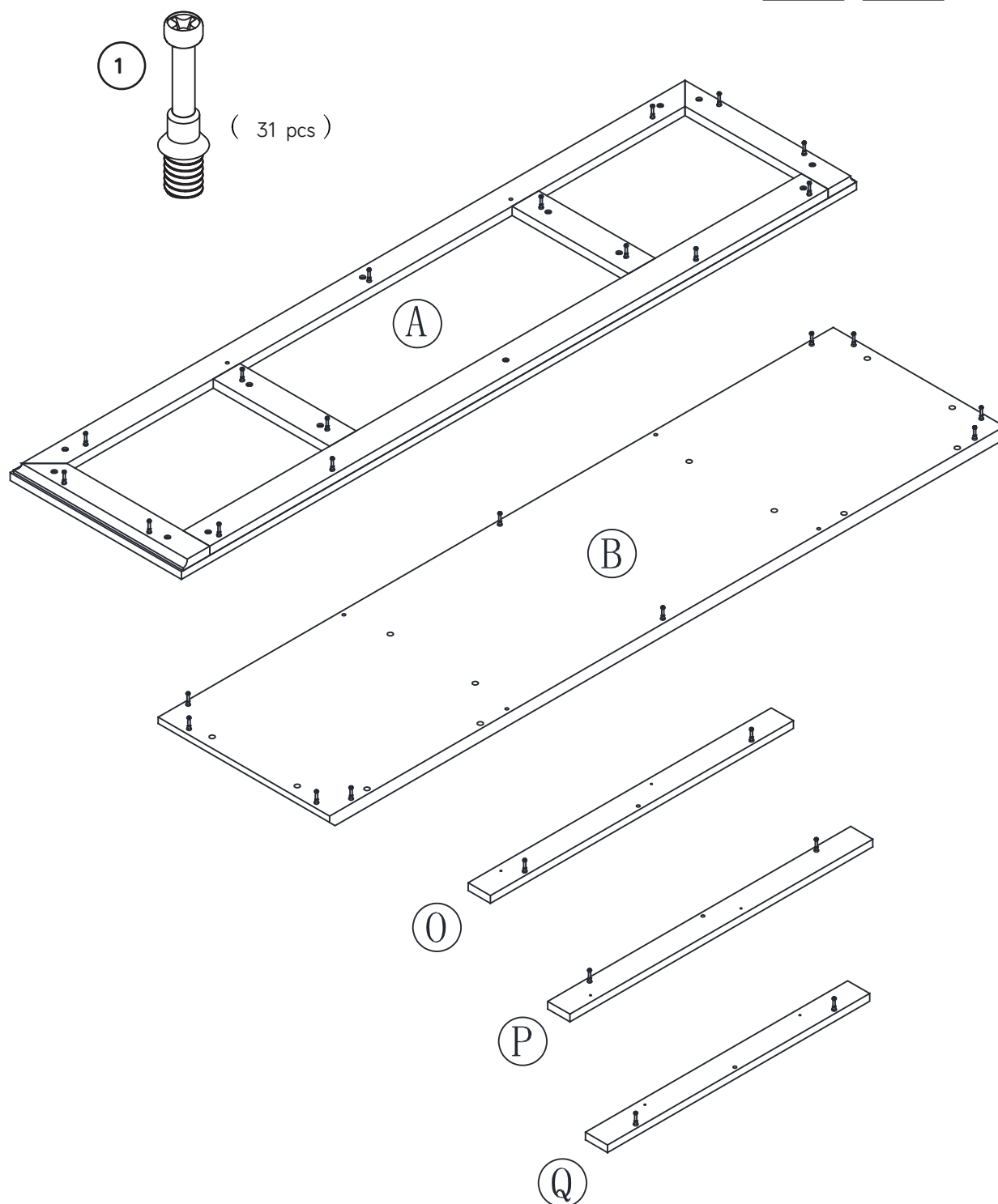
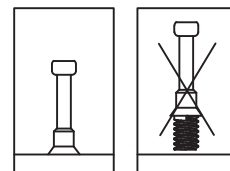


2



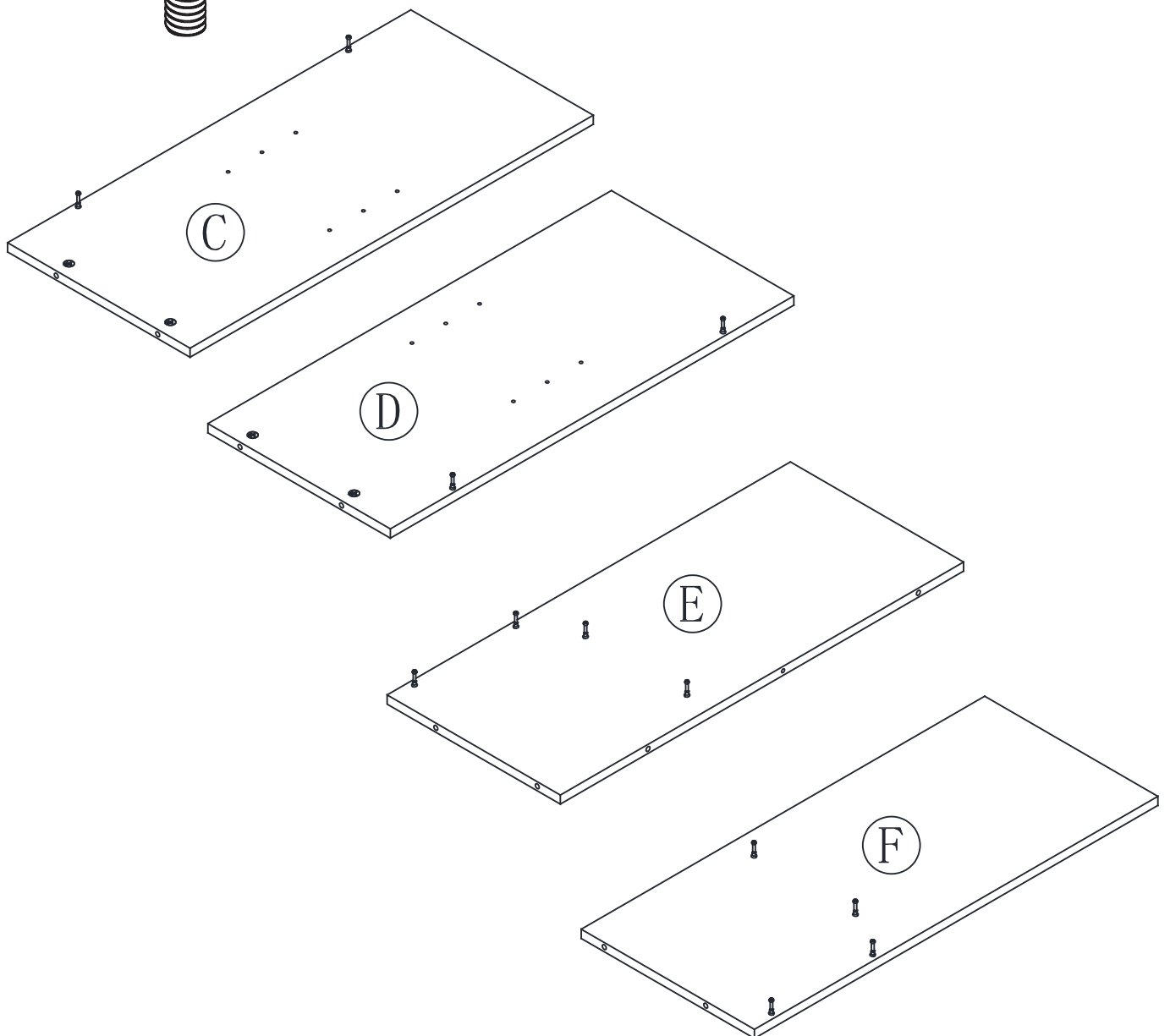
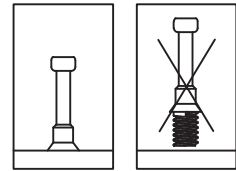
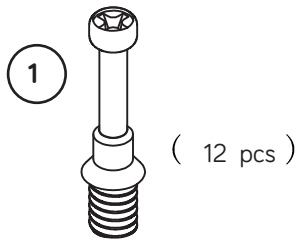
Step 1

- ◆ Assemble your unit on a carpeted floor or on the empty carton to avoid scratching your unit or the floor.
- ◆ Turn thirty-one CAM SCREWS (1) into the TOP (A), BOTTOMS (B) and MOLDINGS (O,P and Q).



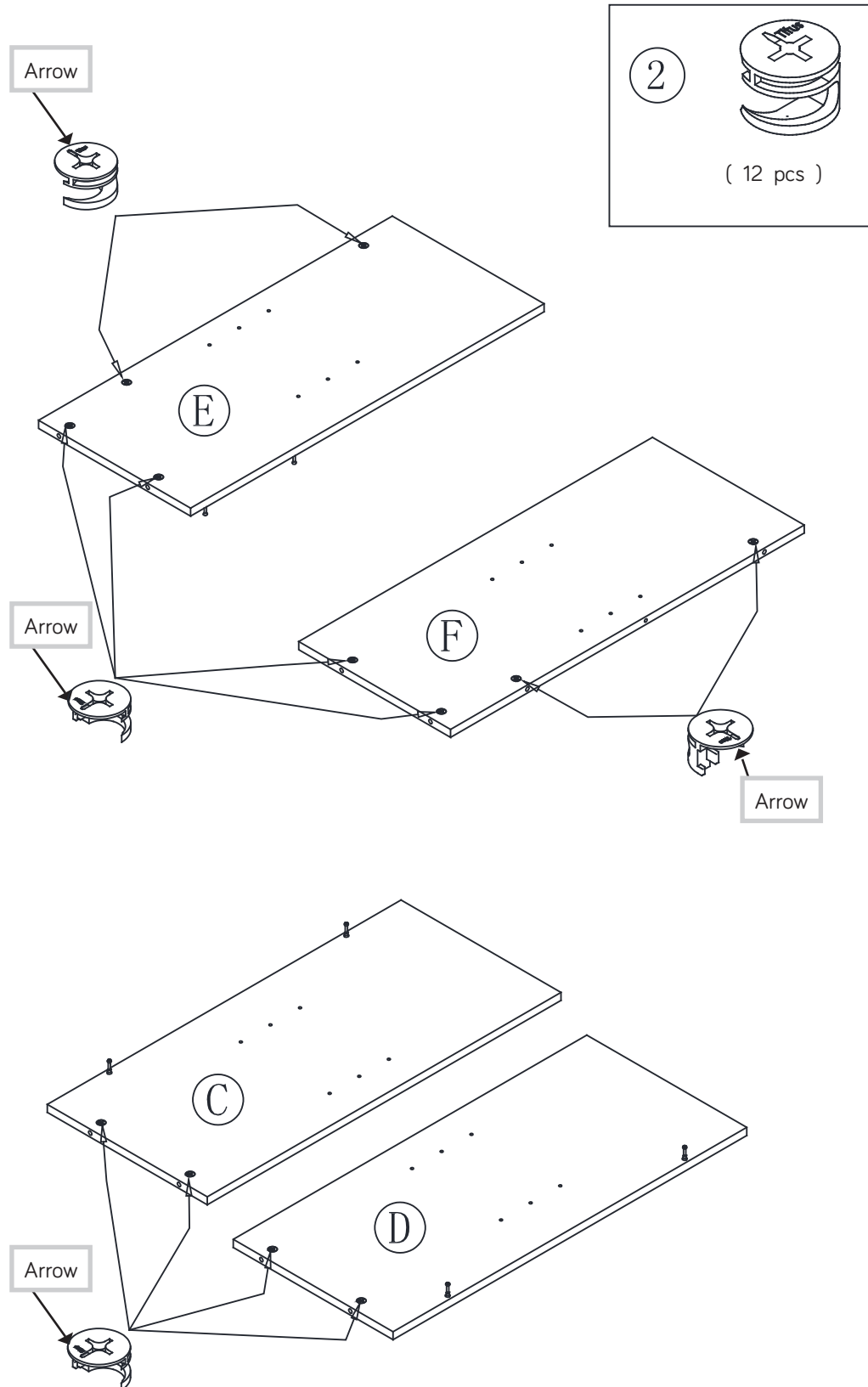
Step 2

◆ Turn twelve CAM SCREWS (1) into the ENDS (C and D) and UPRIGHTS (E and F).



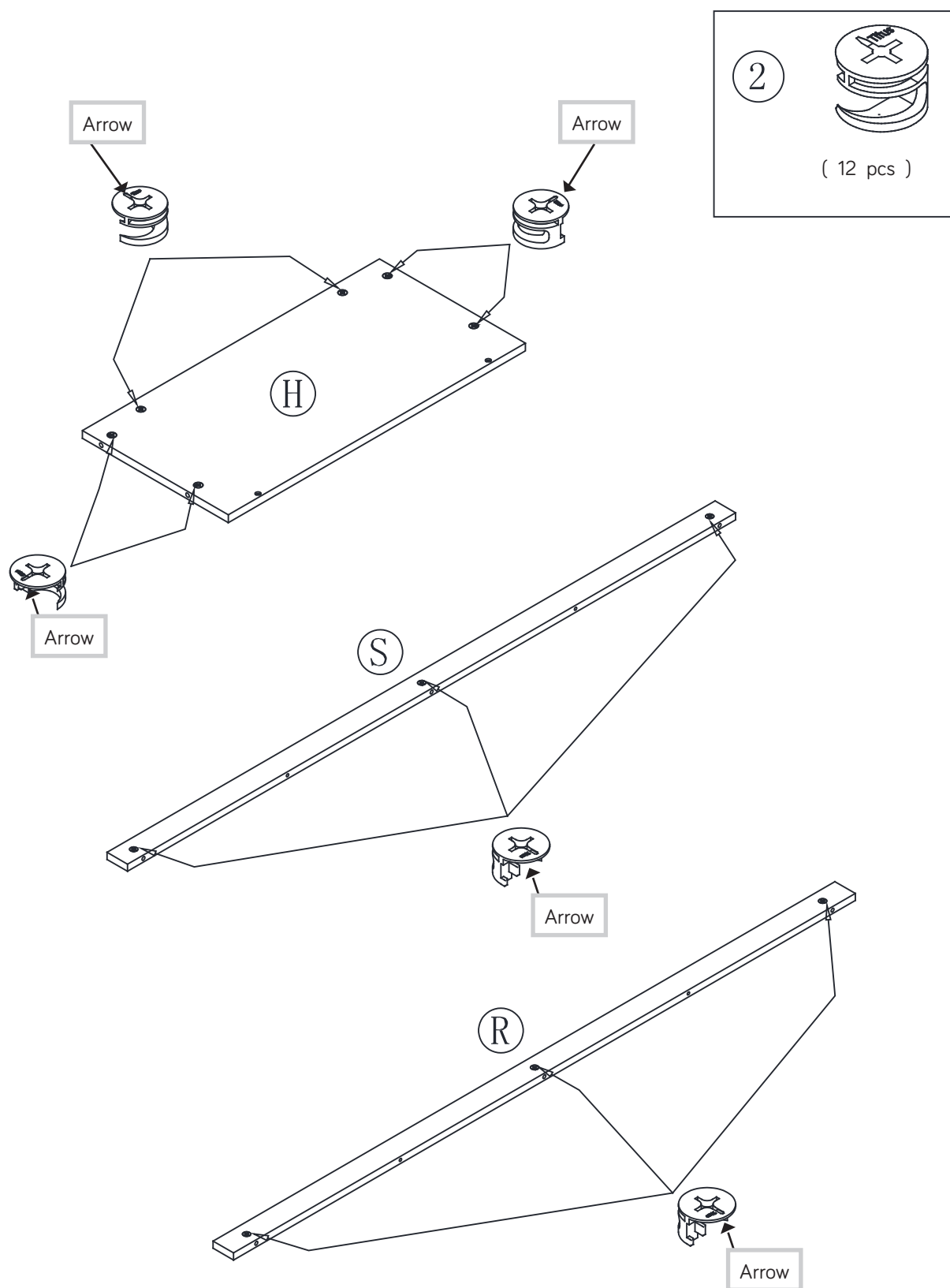
Step 4

- ◆ Push twelve HIDDEN CAMS (2) into the UPRIGHTS (E and F) and ENDS (C and D).



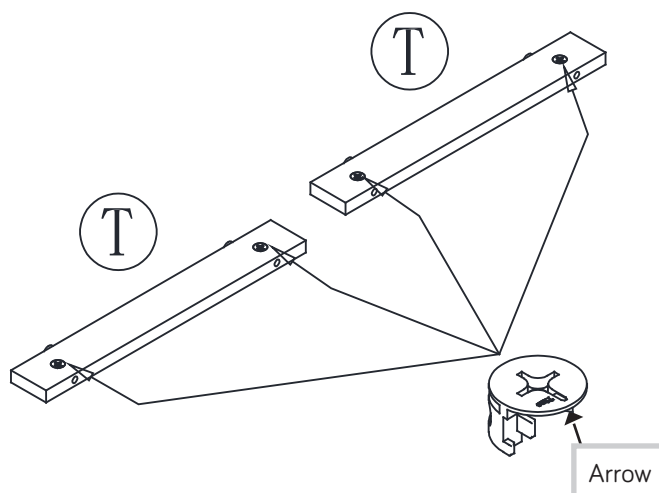
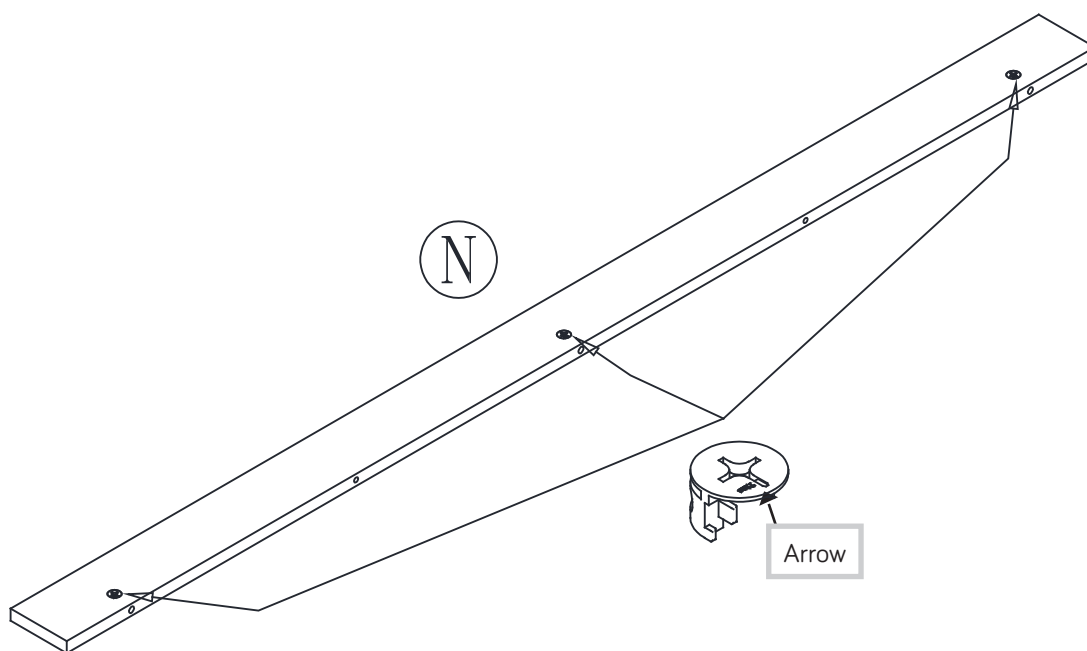
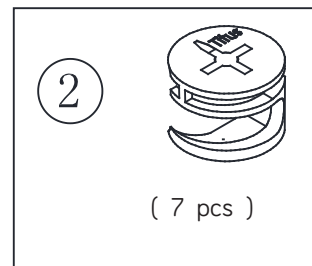
Step 5

- ◆ Push twelve HIDDEN CAMS (2) into the SHELF (1) and MOLDINGS (S and R)



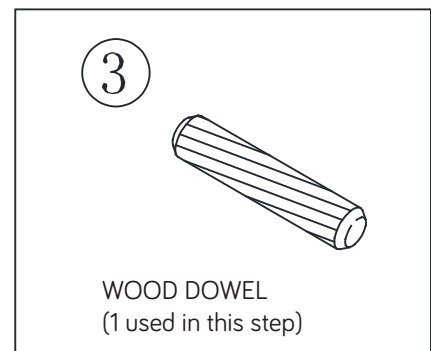
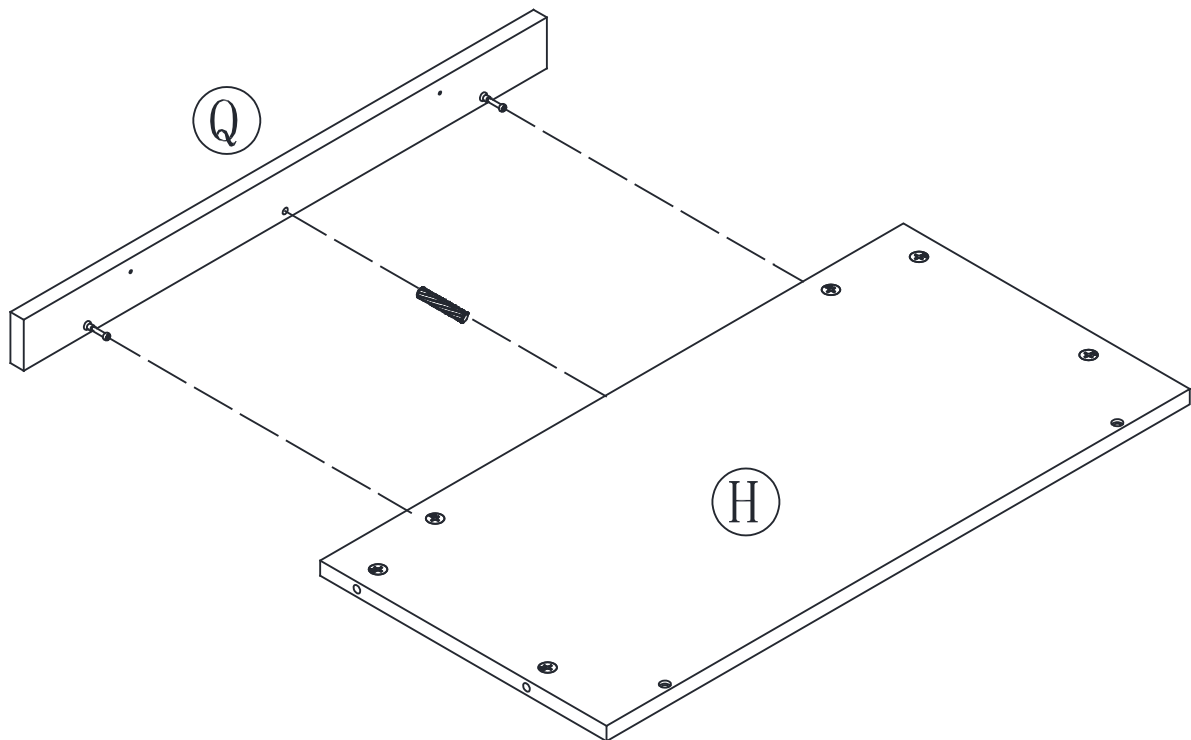
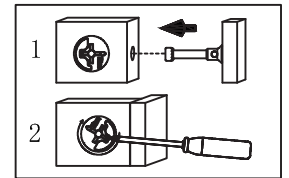
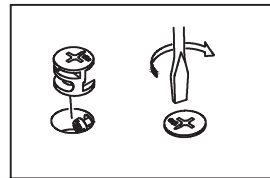
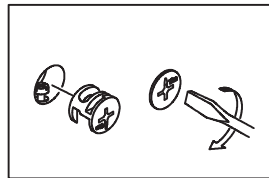
Step 6

- ◆ Push seven HIDDEN CAMS (2) into the MOLDINGS (N and T).



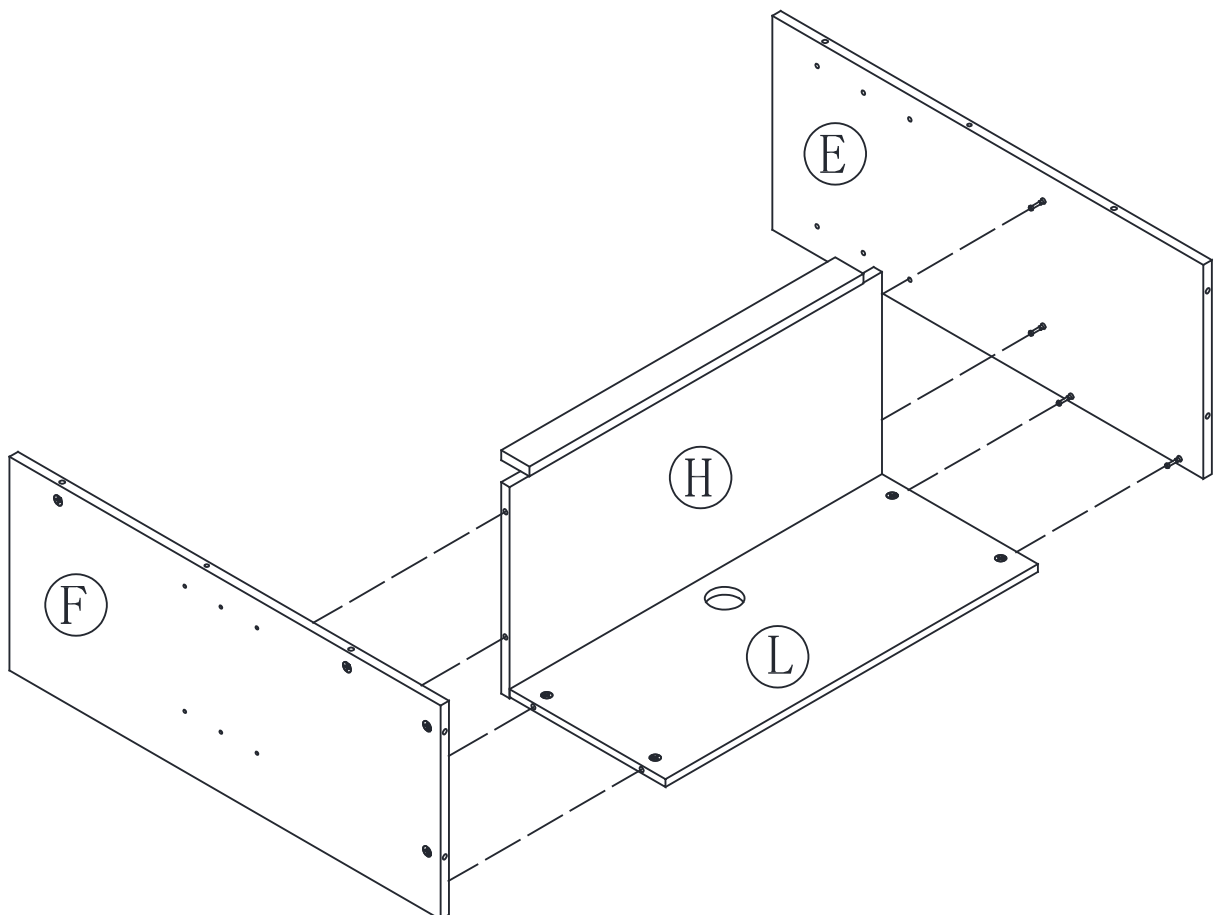
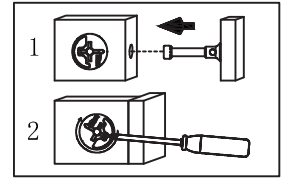
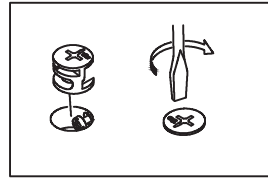
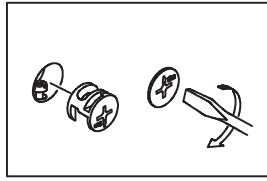
Step 7

- ◆ Push the WOOD DOWELS (3) into the exact hole shown in the SHELF (H).
- ◆ Fasten the SHELF MOLDING (Q) to the SHELF (H). Tighten two HIDDEN CAMS.



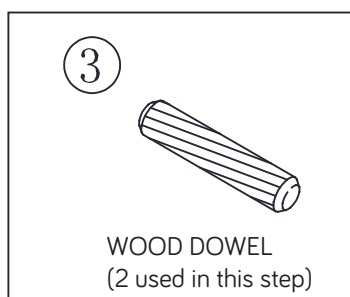
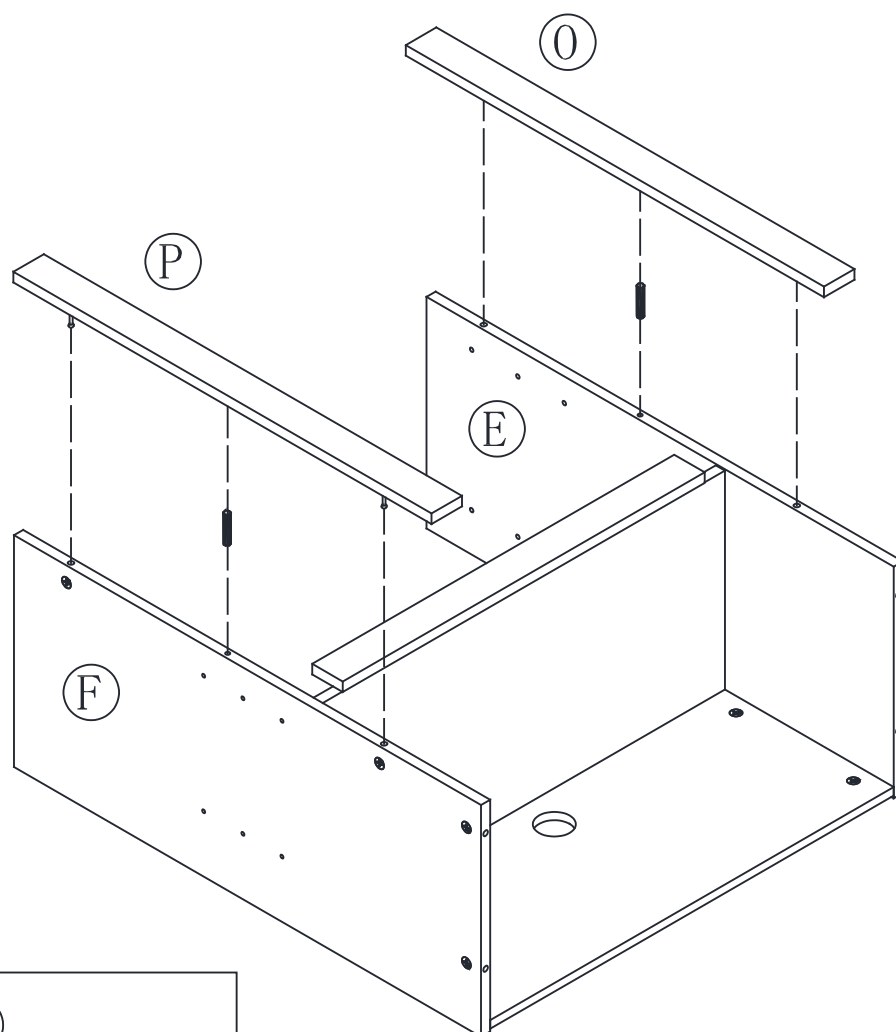
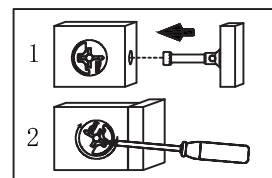
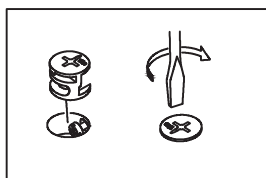
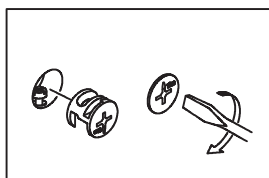
Step 8

- ◆ Fasten the SHELVES (H) and MIDDLE BACK (L) to the UPRIGHTS (E and F). Tighten eight HIDDEN CAMS.



Step 9

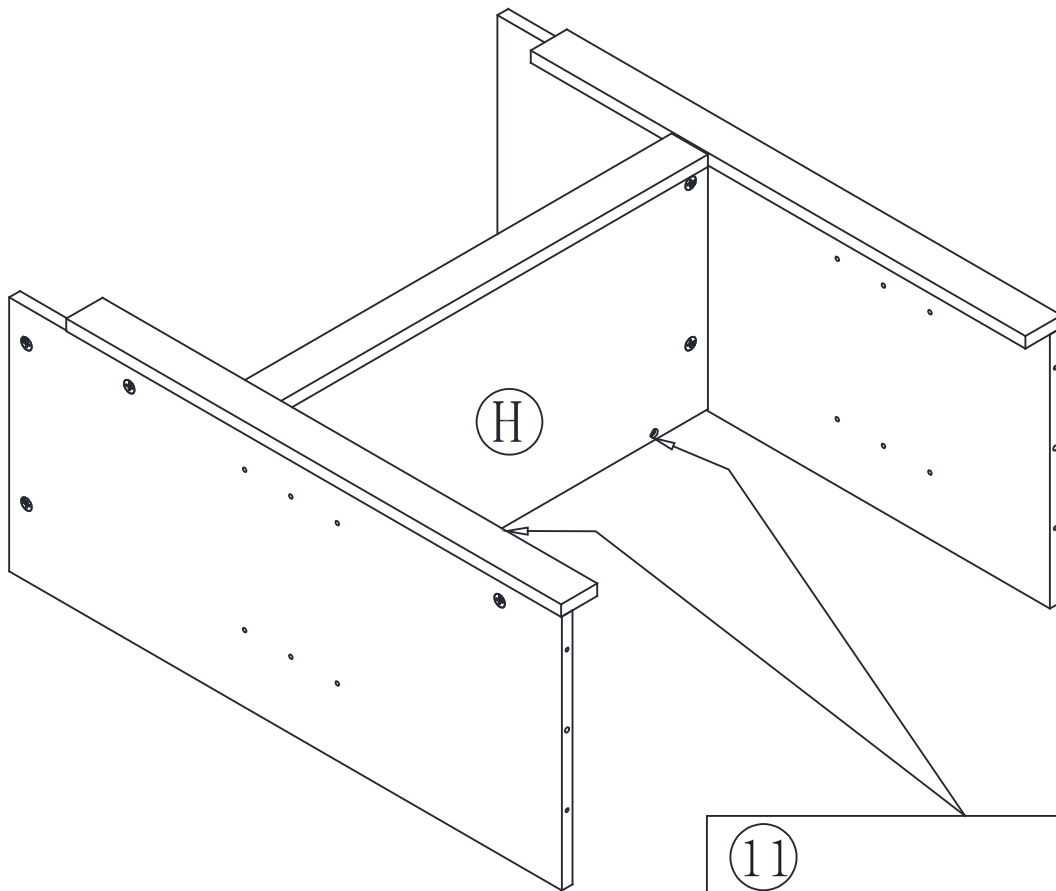
- ◆ Push the WOOD DOWELS (3) into the exact hole shown in the UPRIGHTS (E and F).
- ◆ Fasten the UPRIGHTS (E and F) to the MOLDINGS (P and O). Tighten four HIDDEN CAMS.



Step 10

Fasten the SHELF (H) to the MIDDLE BACK (L).

- ◆ Use two BLACK 1-3/8" PAN HEAD SCREWS through the SHELF and align to the holes in the back before you fasten.



11



1-3/8" PAN HEAD SCREW
(2 used in this step)

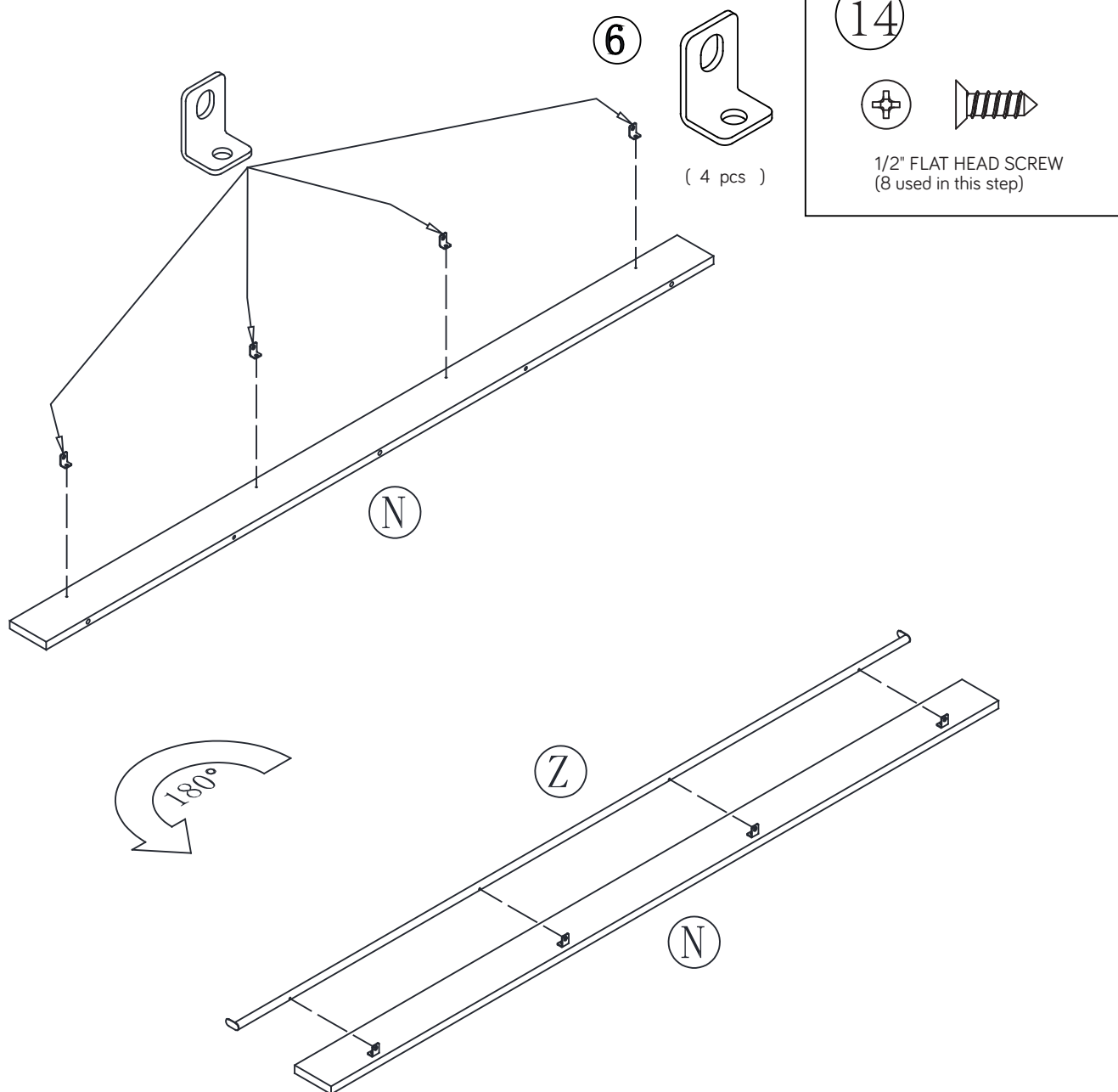
Step 11

- ◆ Fasten four METAL BRACKETS (6) to the TOP MOLDING (N). Use four BLACK 1/2 " FLAT HEAD SCREWS (14).

- ◆ NOTE: Be sure to position the METAL BRACKETS and MOLDINGS exactly as shown.

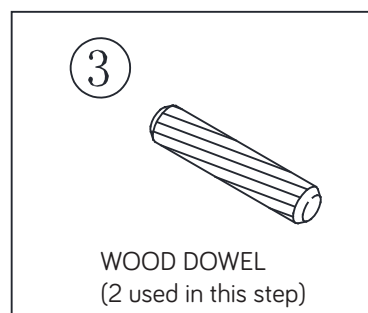
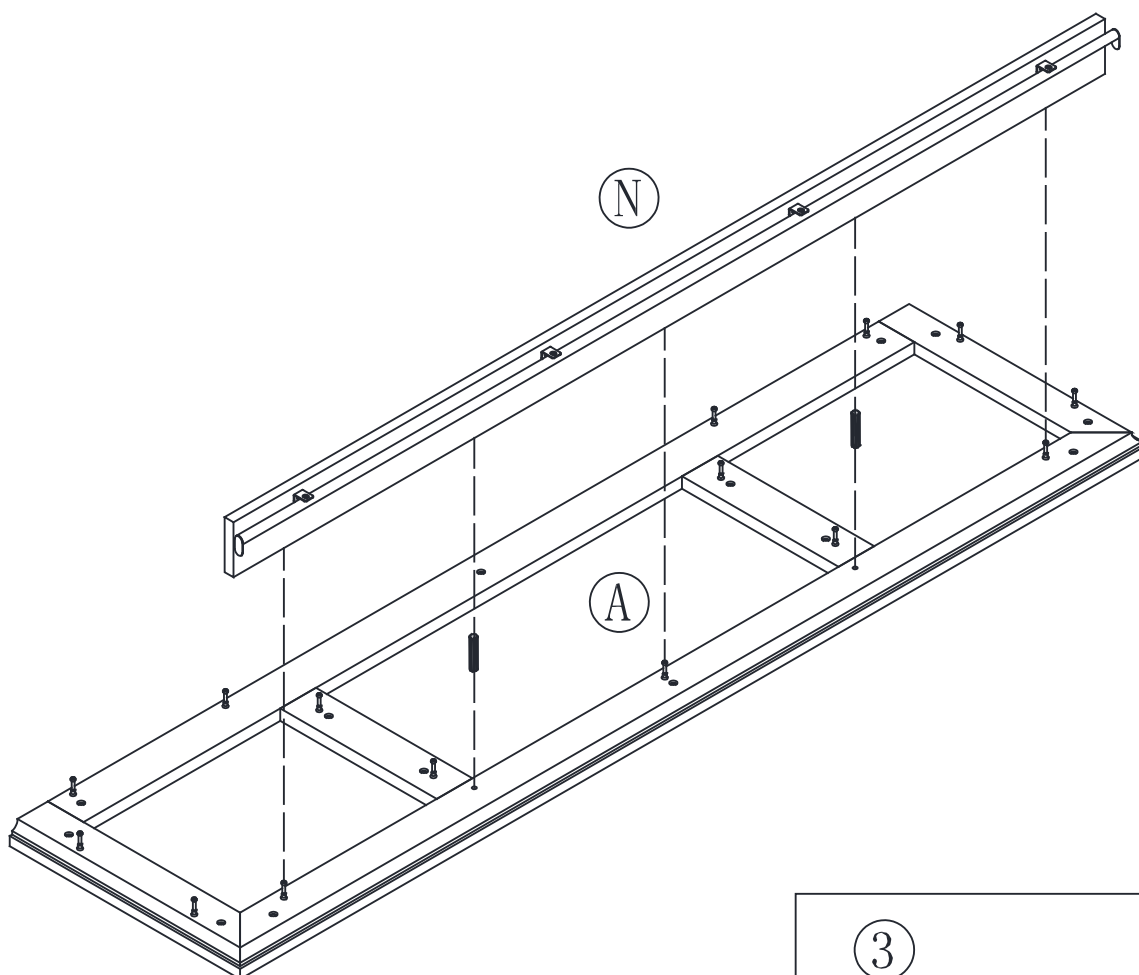
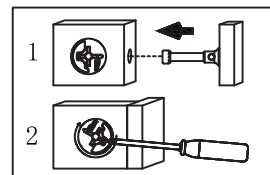
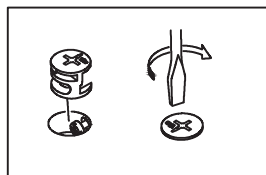
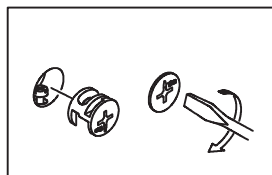
- ◆ Fasten the METAL TUBE (1) to the TOP MOLDING (N). Use four BLACK 1/2" FLAT HEAD SCREWS (14) through the METAL BRACKETS on the TOP MOLDING and into the METAL TUBE.

NOTE: Be sure the metal tab on the METAL TUBE is positioned as shown.



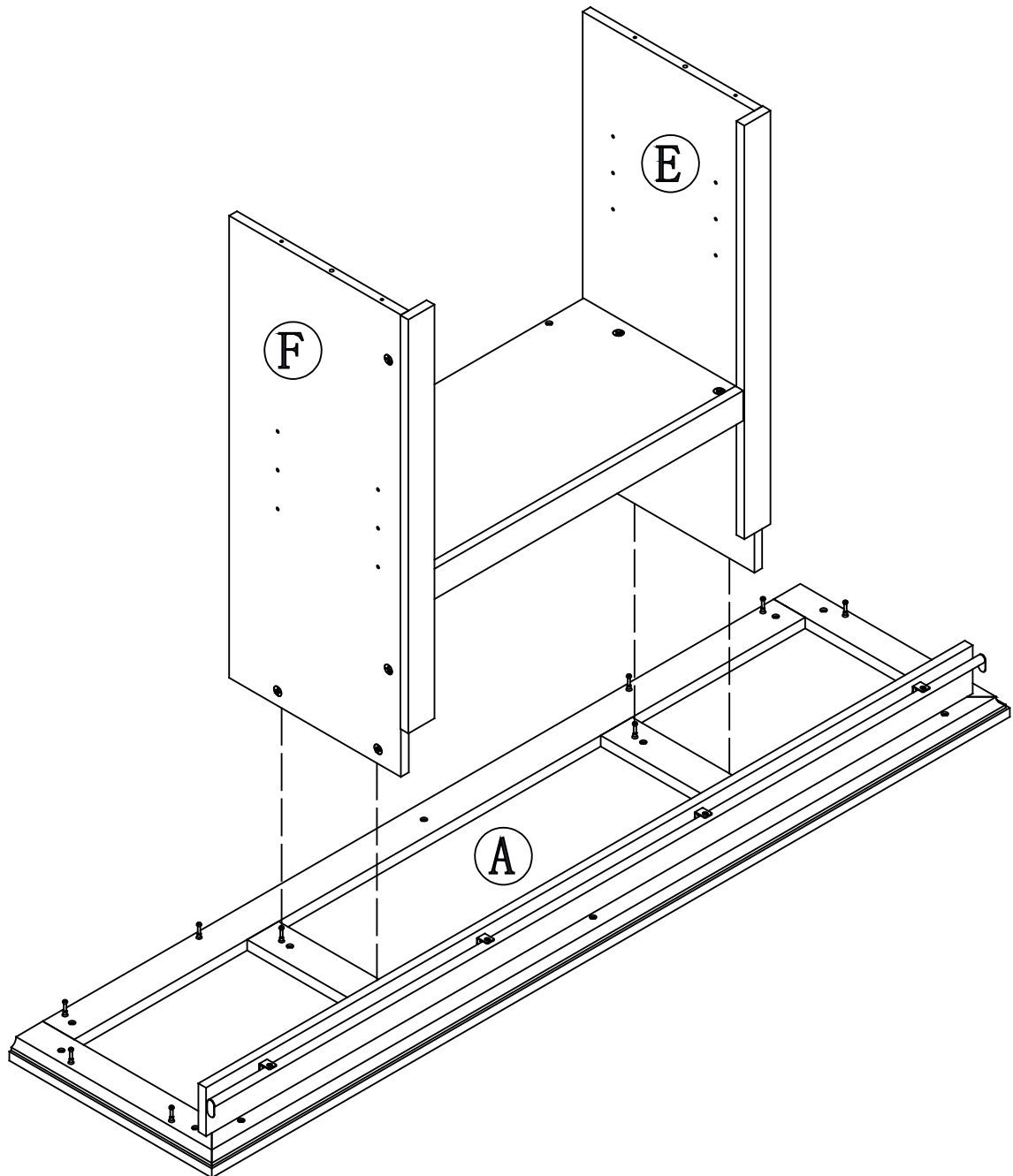
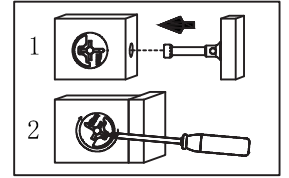
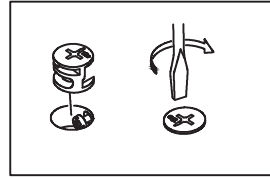
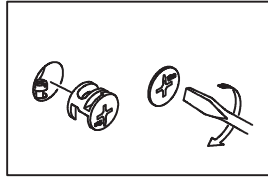
Step 12

- ◆ Push the WOOD DOWELS (3) into the exact hole shown in the TOP (A).
- ◆ Fasten the TOP MOLDING (N) to the TOP (A). Tighten three HIDDEN CAMS.
- ◆ Fasten the BOTTOM MOLDINGS (T, S and R) to the BOTTOM (B). Tighten ten HIDDEN CAMS.



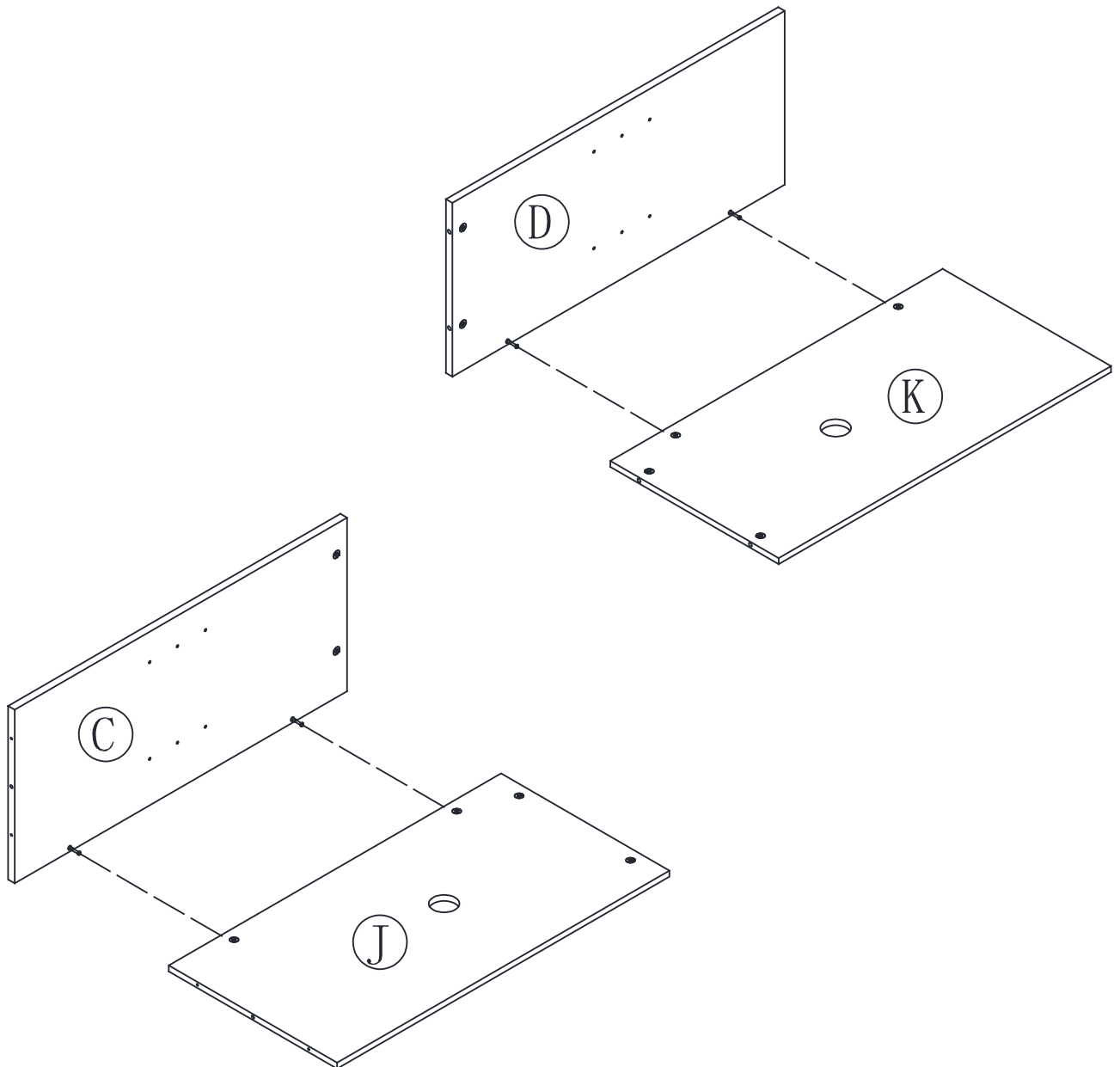
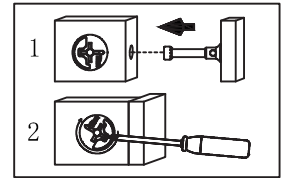
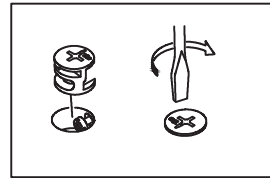
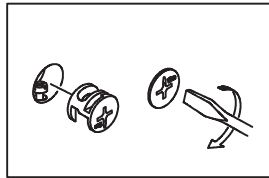
Step 13

◆ Fasten the UPRIGHTS (E and F) to the TOP (A). Tighten four HIDDEN CAMS



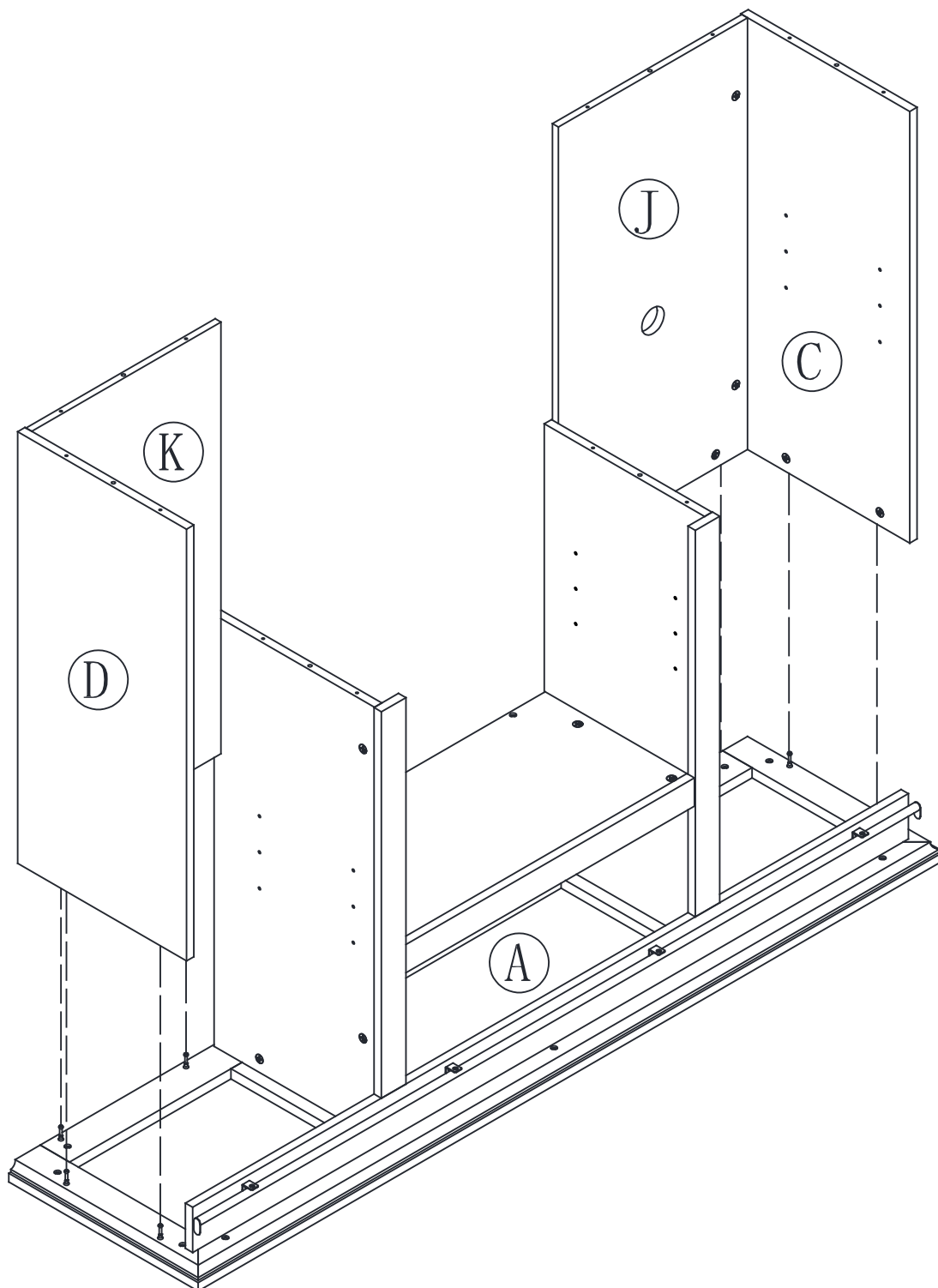
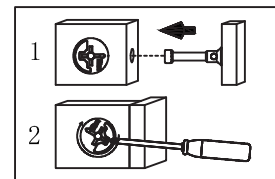
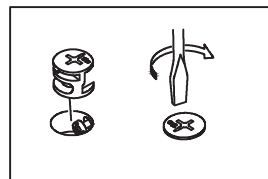
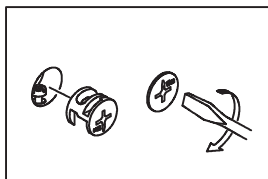
Step 14

- ◆ Fasten the BACKS (K and J) to the ENDS (D and C). Tighten four HIDDEN CAMS.



Step 15

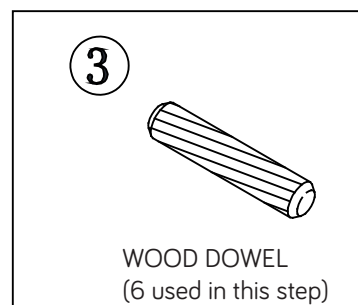
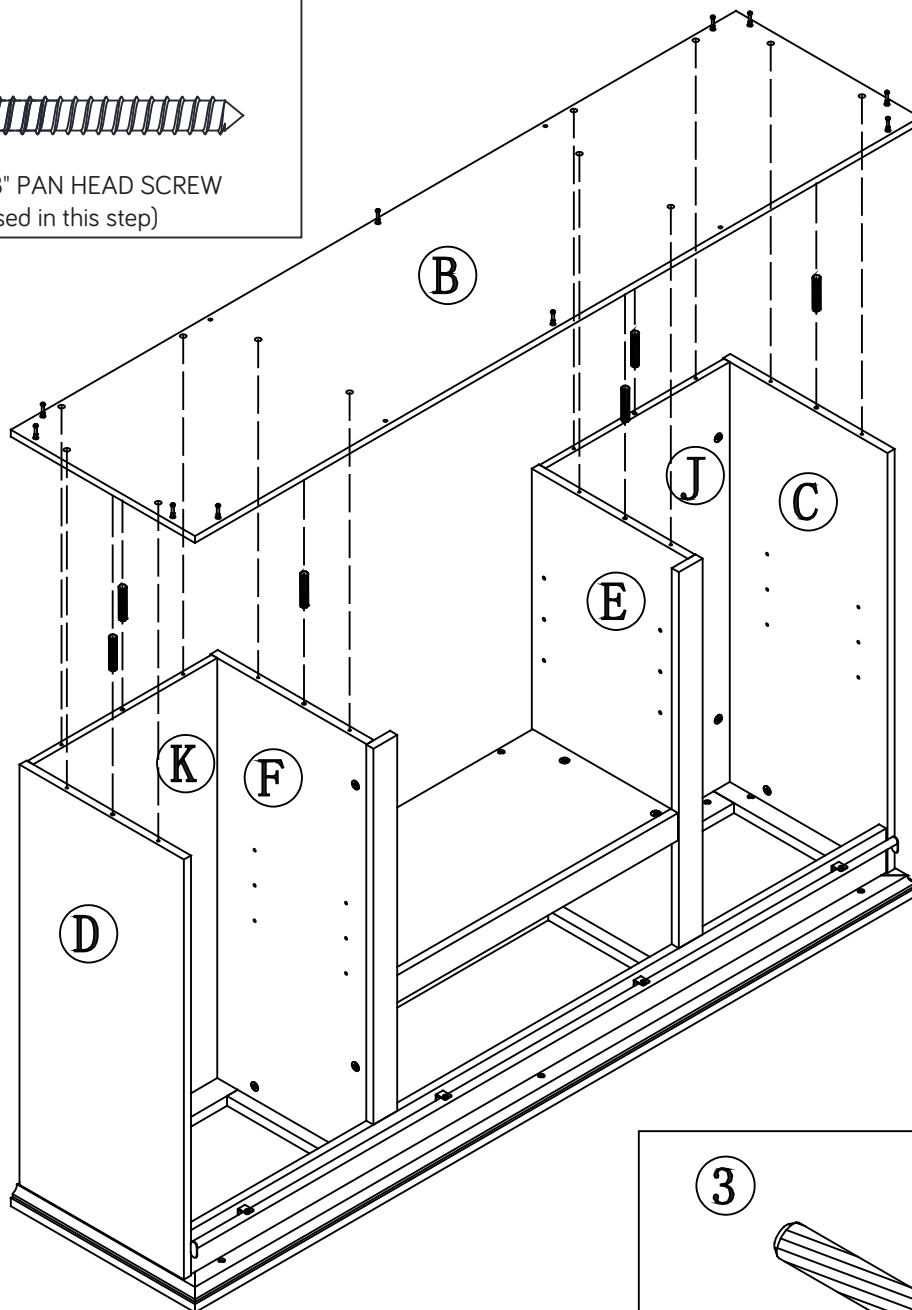
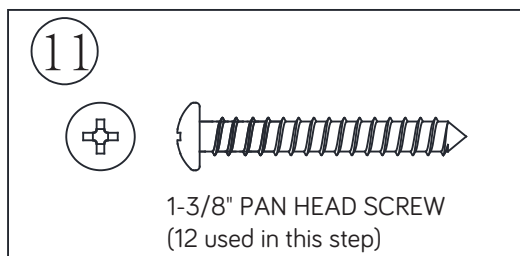
◆ Fasten the ENDS (C and D) and BACKS (J and K) to the TOP (A). Tighten eights HIDDEN CAMS.



Step 16

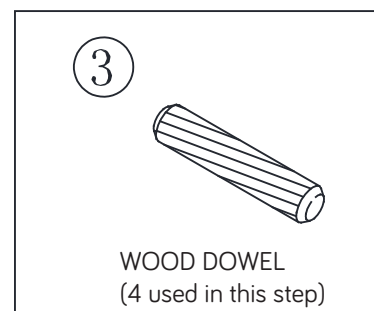
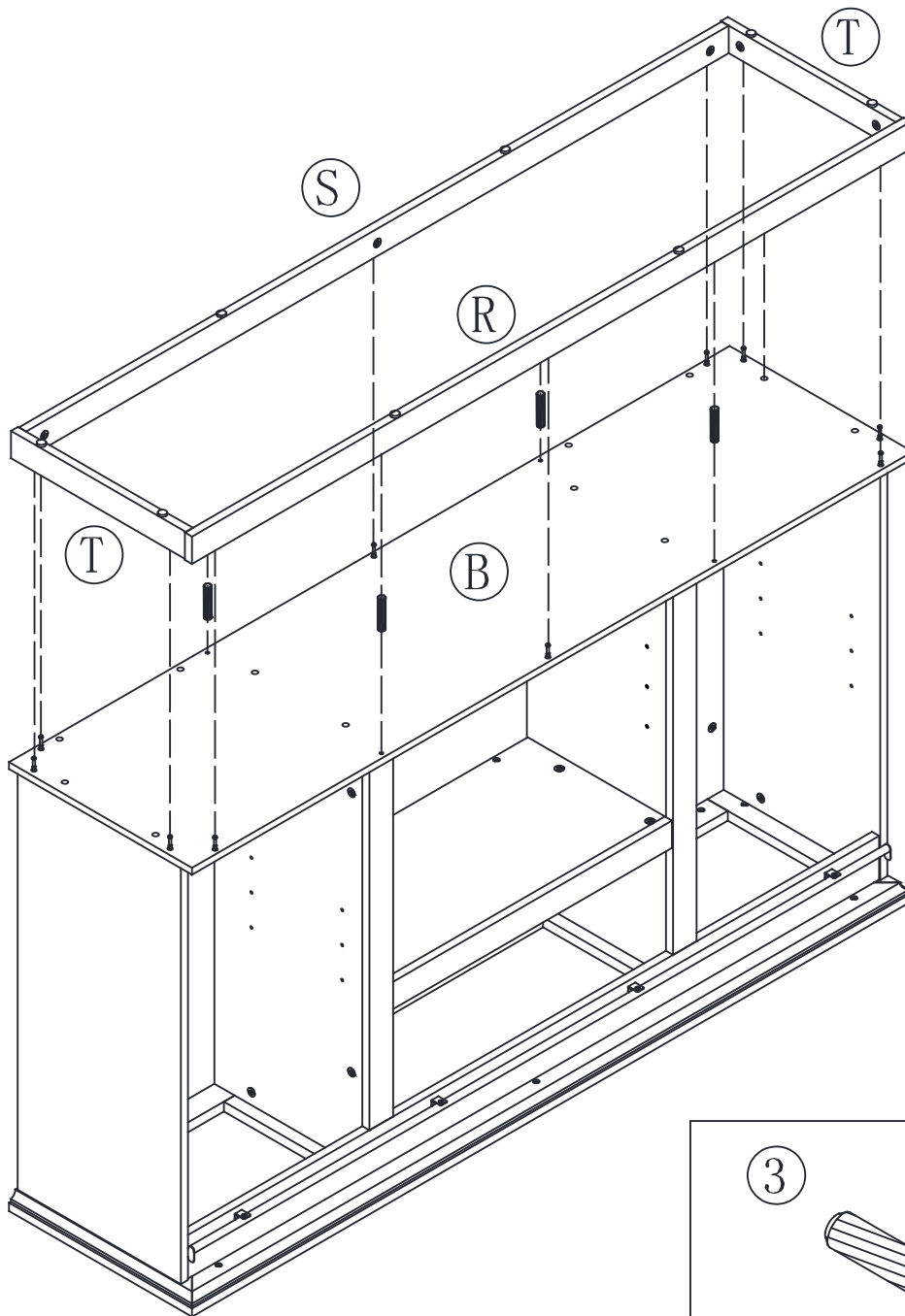
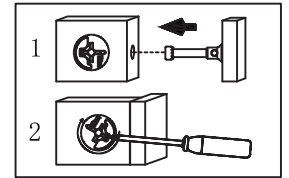
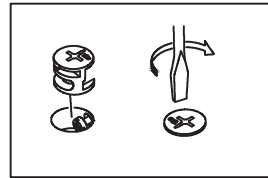
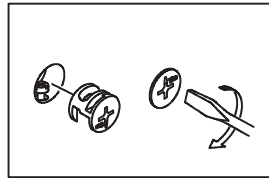
- ◆ Push the WOOD DOWELS (3) into the exact hole shown in the ENDS (C and D) and BACKS (K and J) and UPRIGHTS (E and F).
- ◆ Fasten the BOTTOM (B) to the ENDS (C and D), UPRIGHTS (E and F) and the BACKS (K and J).
- ◆ Use twelve BLACK 1-3/8 " PAN HEAD SCREWS (11).

NOTE: You should align each SCREW to the holes before completely tightening any of them



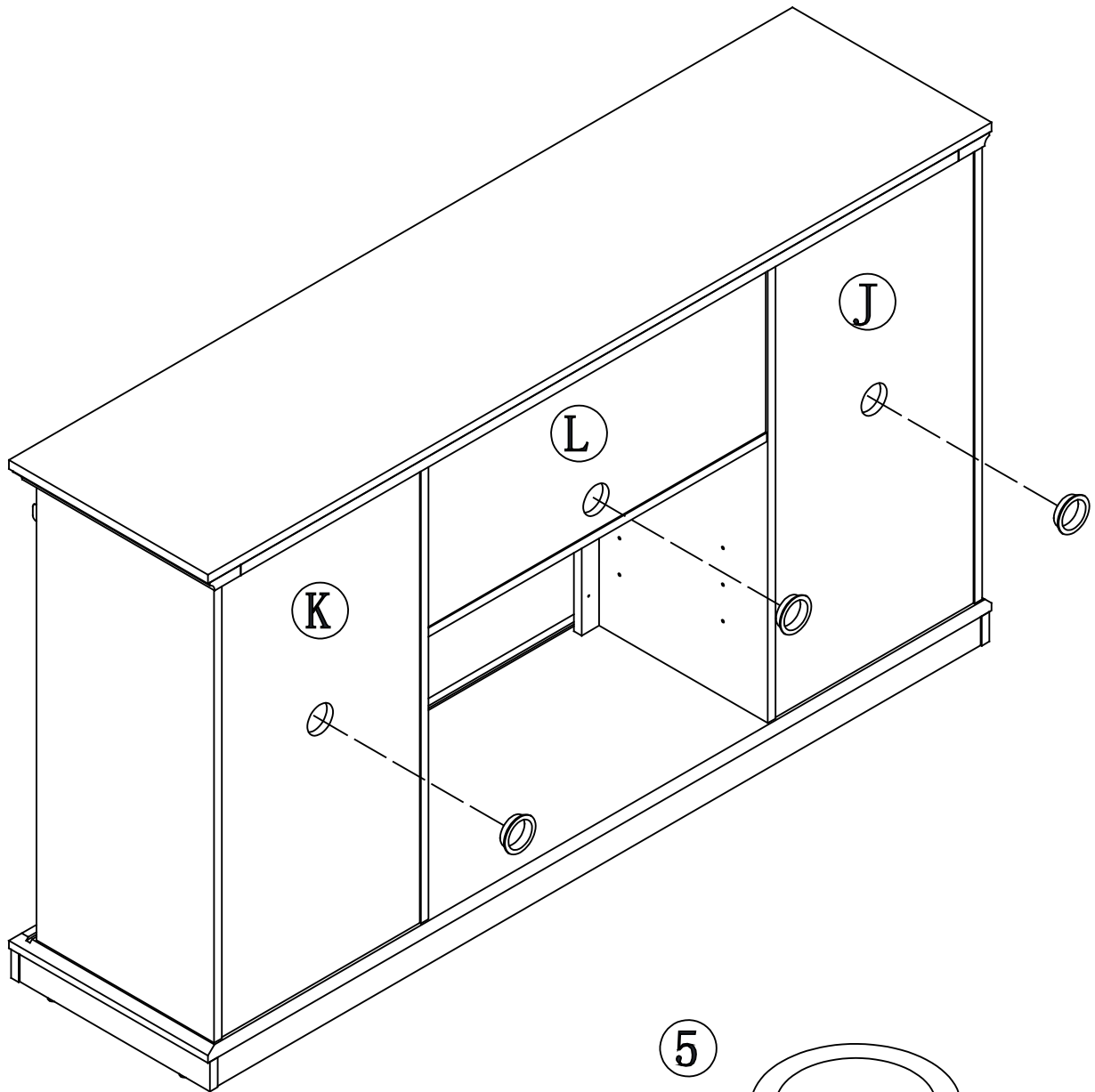
Step 17

- ◆ Push the WOOD DOWELS (3) into the exact hole shown in the BOTTOMS (B).
- ◆ Fasten the BOTTOM MOLDINGS (T, S and R) to the BOTTOM (B). Tighten ten HIDDEN CAMS

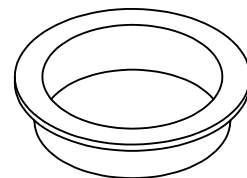


Step 18

- ◆ Insert three GROMMETS (5) into the large holes in the BACKS (J, K and L).



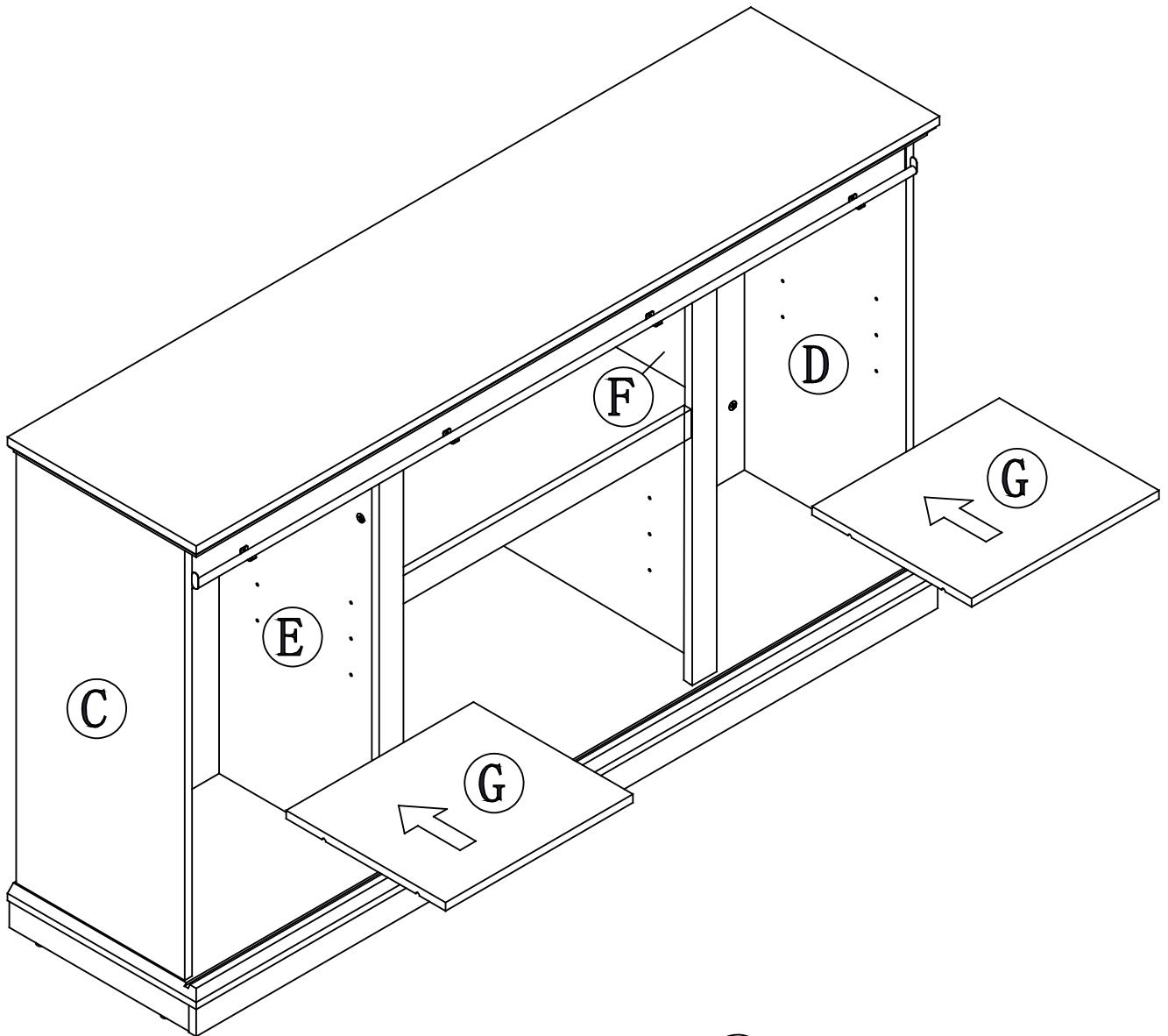
5



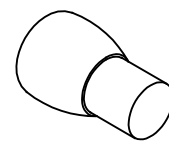
(3 used in this step)

Step 19

- ◆ Insert the METAL PINS (7) into the hole locations of your choice in the ENDS (D and C) and UPRIGHTS (F and E).
- ◆ Set the ADJUSTABLE SHELVES (G) onto the METAL PINS.



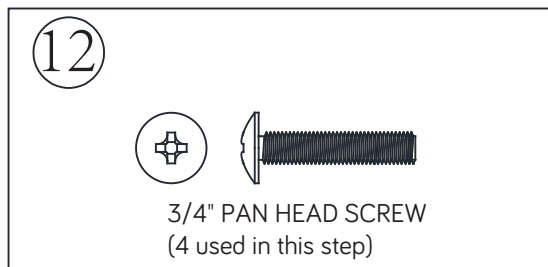
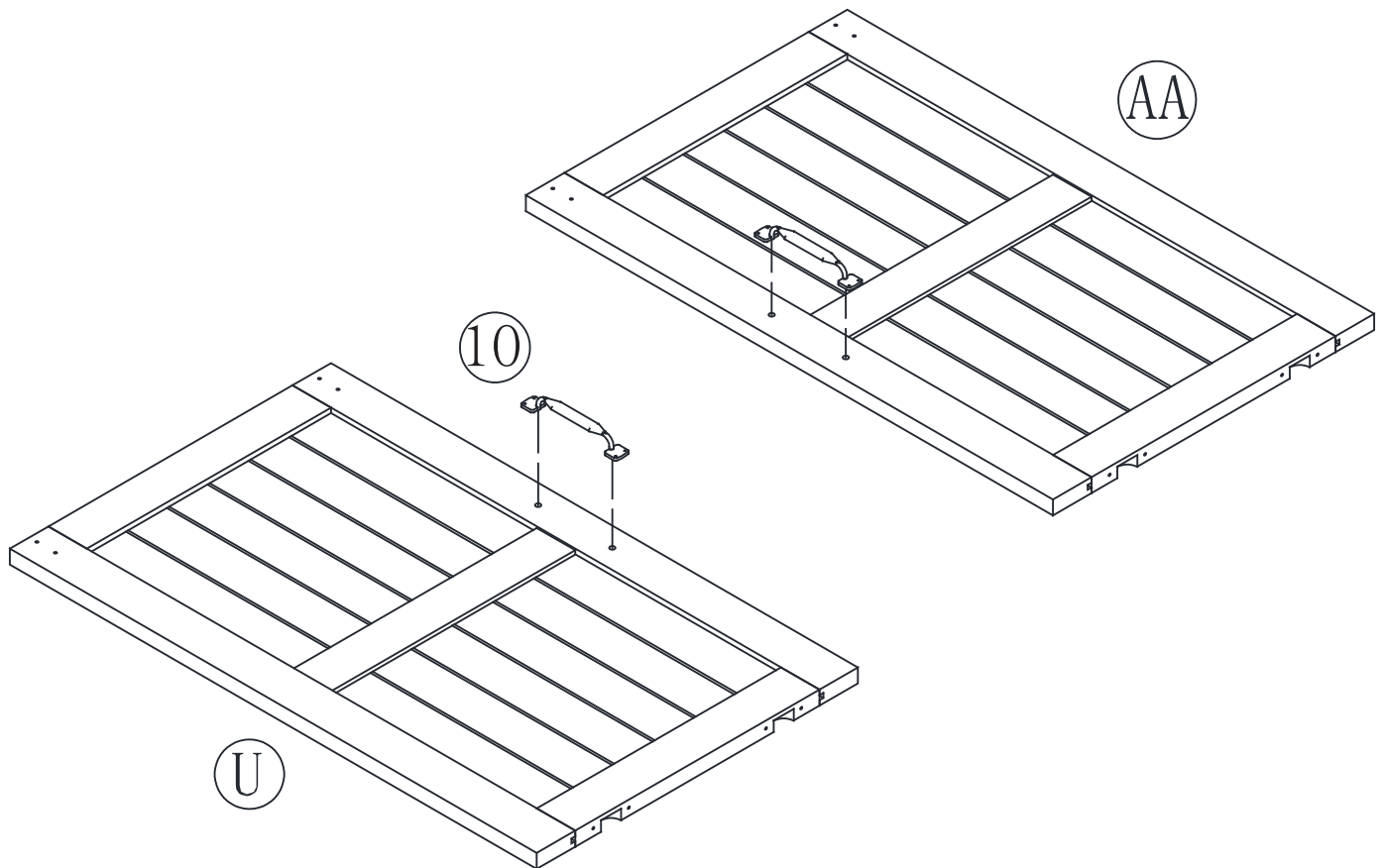
7



(8 PCS)

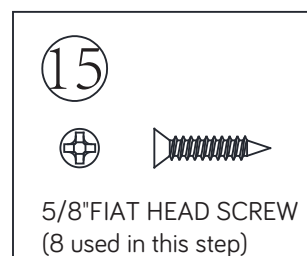
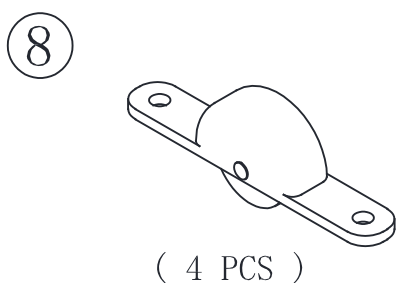
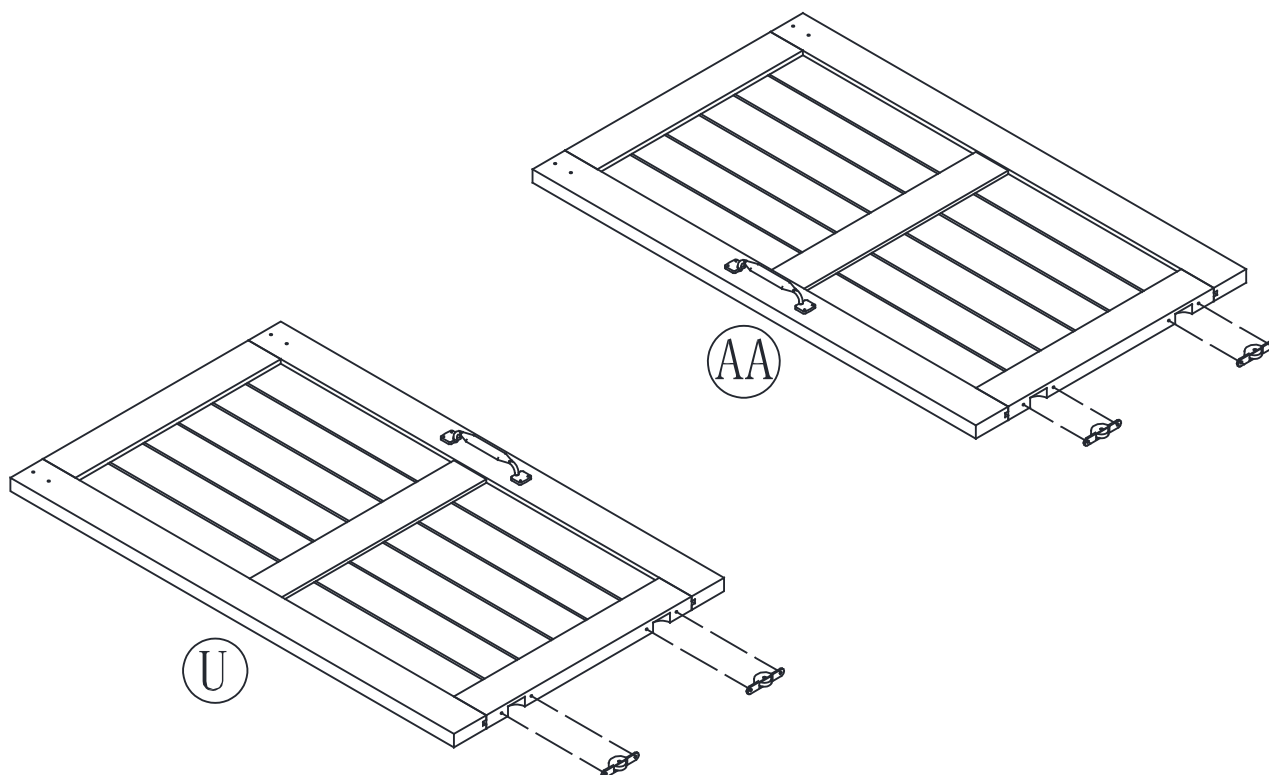
Step 20

- ◆ Fasten the PULLS (10) to the DOORS (U and AA). Use four BLACK 3/4" MACHINE SCREWS (12).



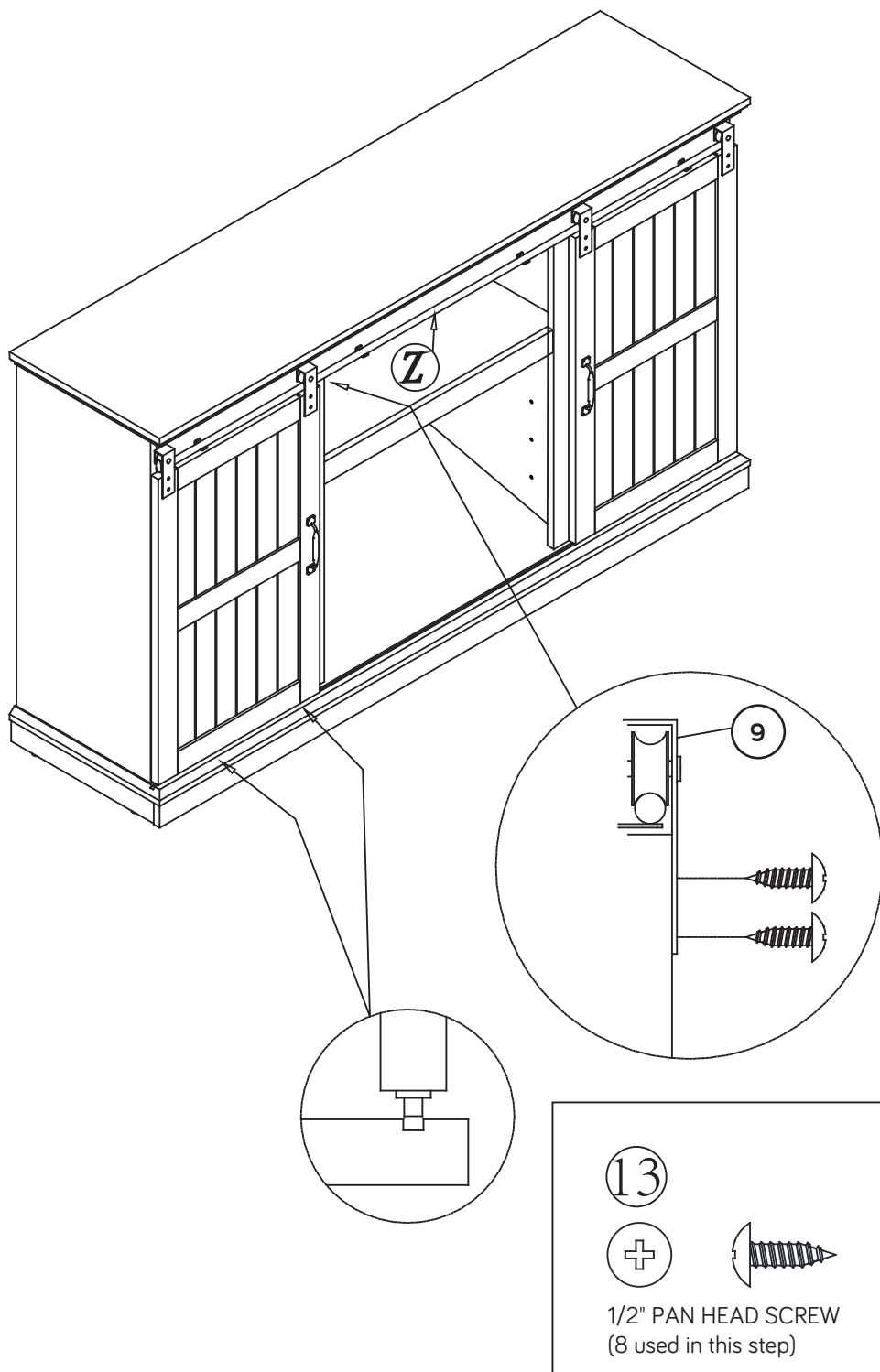
Step 21

- ◆ Fasten the LOWER DOOR BRACKETS (8) to the bottom of the DOORS (U and AA). Use eight BLACK 5/8" FLAT HEAD SCREWS (15).



Step 22

- ◆ Place the LOWER DOOR BRACKETS on the DOORS (U and AA) into the groove on the BOTTOM (B).
- ◆ Next, place the UPPER DOOR BRACKETS (9) onto the METAL TUBE on the SHELF MOLDING (N) and the DOORS (U and AA) exactly as shown.
- ◆ Then, fasten the UPPER DOOR BRACKETS (9) to the DOORS (U and AA). Use eight BLACK 1/2" LARGE HEAD SCREWS (13).



Step 23

- ◆ Please go to step 24 if you want to put the middle shelf (BB) as show in diagram #1 or go to step 26 if you want to put the insert as show in diagram #2.

Diagram #1

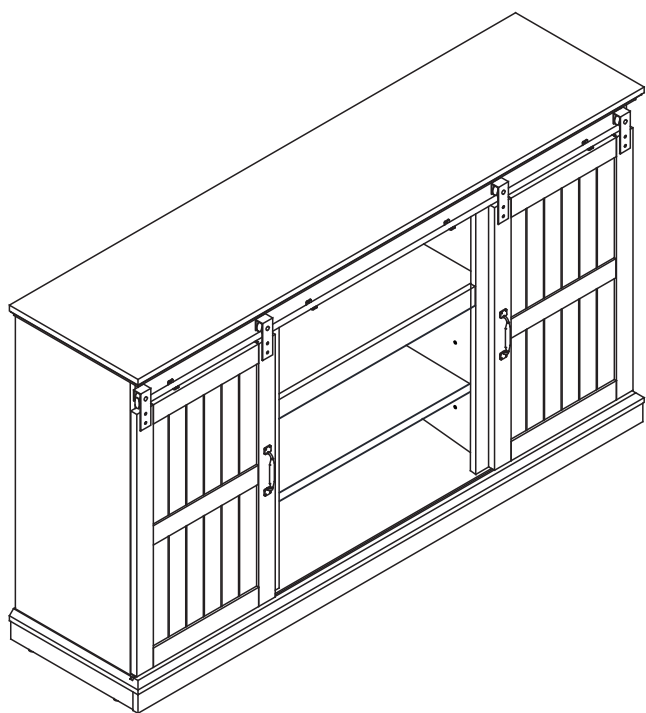
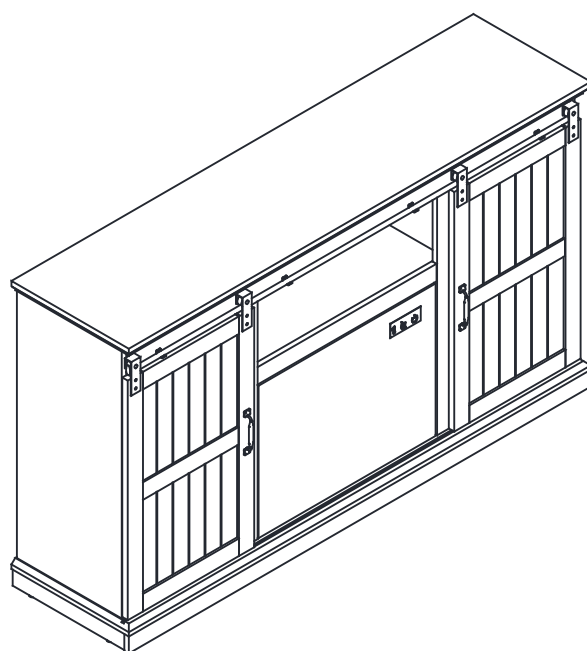
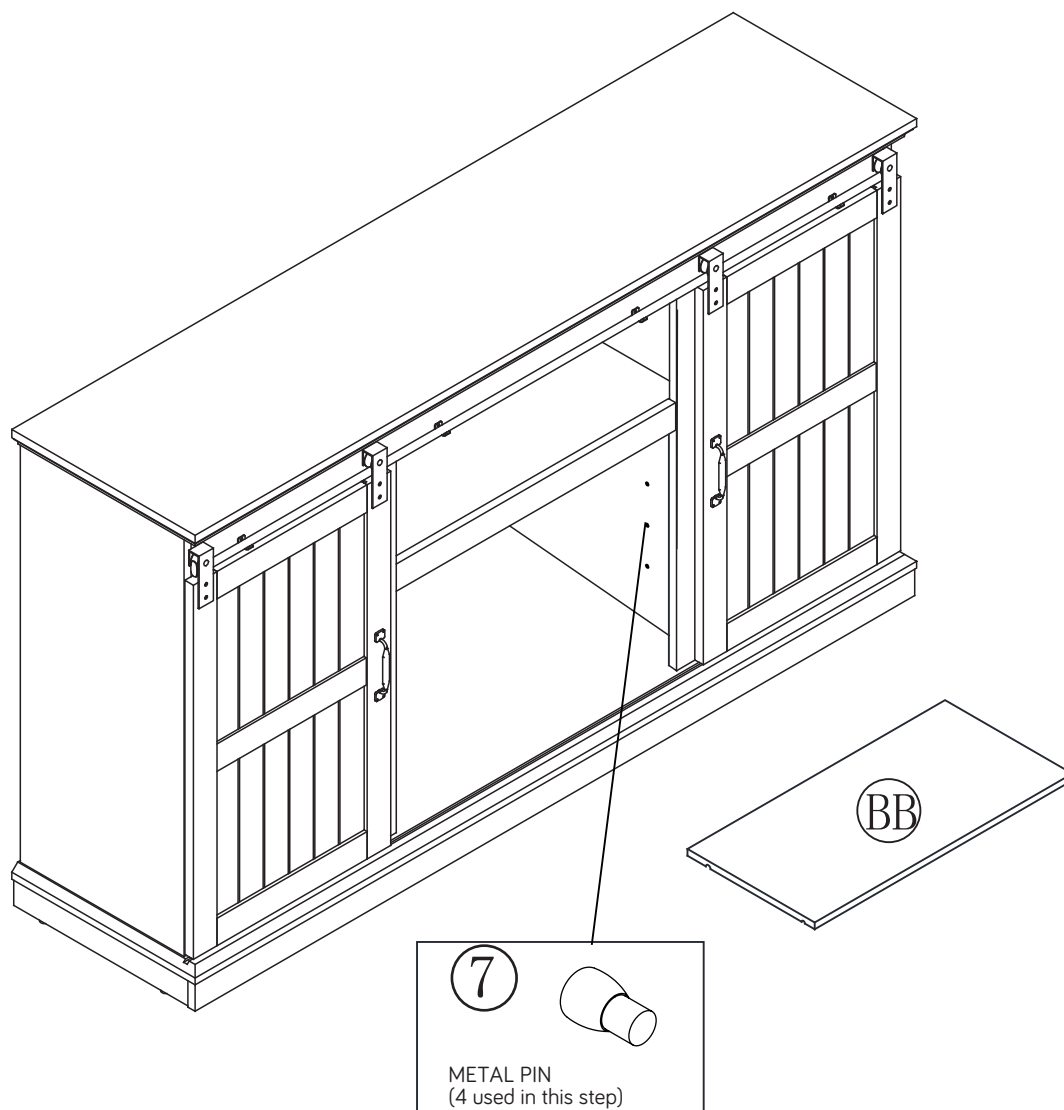


Diagram #2



Step 24

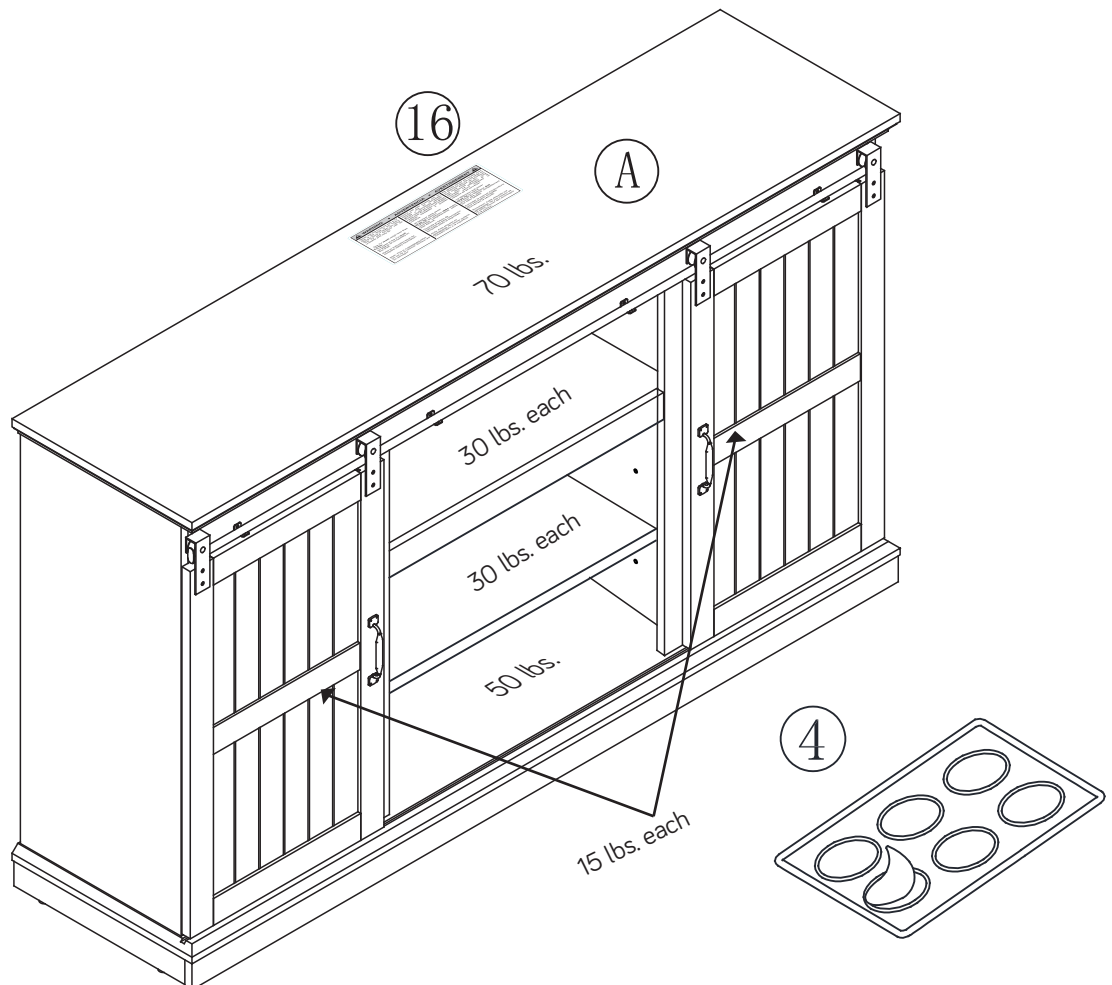
- ◆ Insert the METAL PINS (7) into the hole locations of your choice in the UPRIGHTS (E and F).
- ◆ Set the ADJUSTABLE SHELF (BB) onto the METAL PINS.



Step 25

- ◆ Peel APPLIQUES from the APPLIQUE CARDS (4) and stick them onto each visible HIDDEN CAM.
This completes assembly. Clean with a damp cloth. Wipe dry.
- ◆ Apply the WARNING LABEL (16) to the TOP (A). You should be able to read the label when the TV is removed from the unit. When the TV is in place, it should hide the label. Peel off the backing and apply the label as shown in the diagram.
- ◆ NOTE: This is a permanent label intended to last for the life of the product. Once applied, do not try to remove it.
- ◆ This completes assembly. Clean with a damp cloth. Wipe dry.

⚠ WARNING • ADVERTENCIA • AVERTISSEMENT ⚠		
<p>Never use this furniture with a TV that is too large or too heavy. Severe injury or death can occur. The TV and furniture will be unstable and may tip.</p>	<p>Nunca use este mueble con un televisor que es demasiado grande o demasiado pesado. Podría resultar en una lesión grave hasta fatal. El televisor y el mueble estarán inestables y pueden volcarse.</p>	<p>Ne jamais utiliser ce meuble avec un téléviseur qui soit trop large ou trop lourd. Risque de provoquer des blessures graves, voire mortelles. Le téléviseur et le meuble seront instables et risquent de se renverser.</p>
<p>-The TV must weigh less than 70 lbs. -The base of the TV must be able to sit completely on this shelf.</p>	<p>-El televisor debe pesar 31,75 kg o menos. -La base del televisor debe poder colocarse completamente sobre este estante.</p>	<p>-Le téléviseur doit peser 31,75 kg ou moins. -Le socle du téléviseur doit pouvoir être placé complètement sur cette tablette.</p>
<p>Refer to instruction book for complete safety information.</p>	<p>Consulte el folleto de instrucciones para información completa sobre la seguridad.</p>	<p>Consultez le manuel d'instructions pour information complète concernant la sécurité.</p>
<p><i>Note: This is a <u>permanent</u> label. Do not try to remove. Surface will be damaged.</i></p>	<p><i>Nota: Esta etiqueta es <u>permanente</u>. No intente quitarla. Causará daño a la superficie.</i></p>	<p><i>Remarque: Cette étiquette est <u>permanente</u>. Ne pas essayer de la retirer. Causera des dommages à la surface.</i></p>



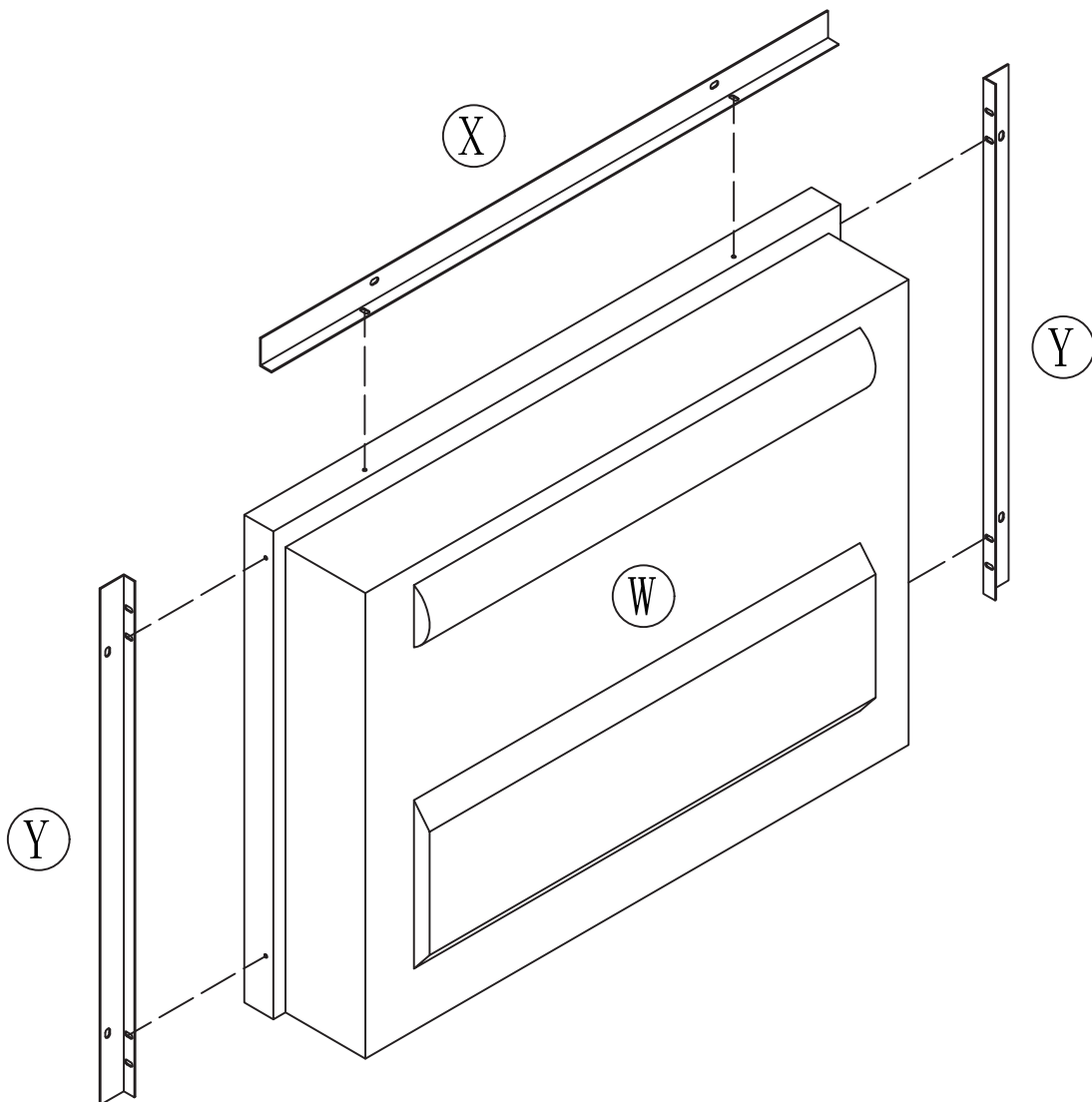
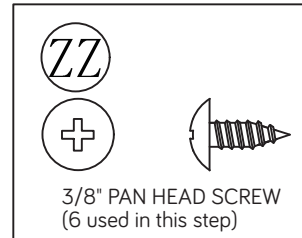
Step 26

- ◆ Fasten the BRACKETS (X and Y) to the FIREPLACE (W). Use six 3/8" FLAT HEAD SCREWS (ZZ).

WARNING

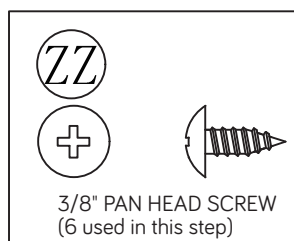
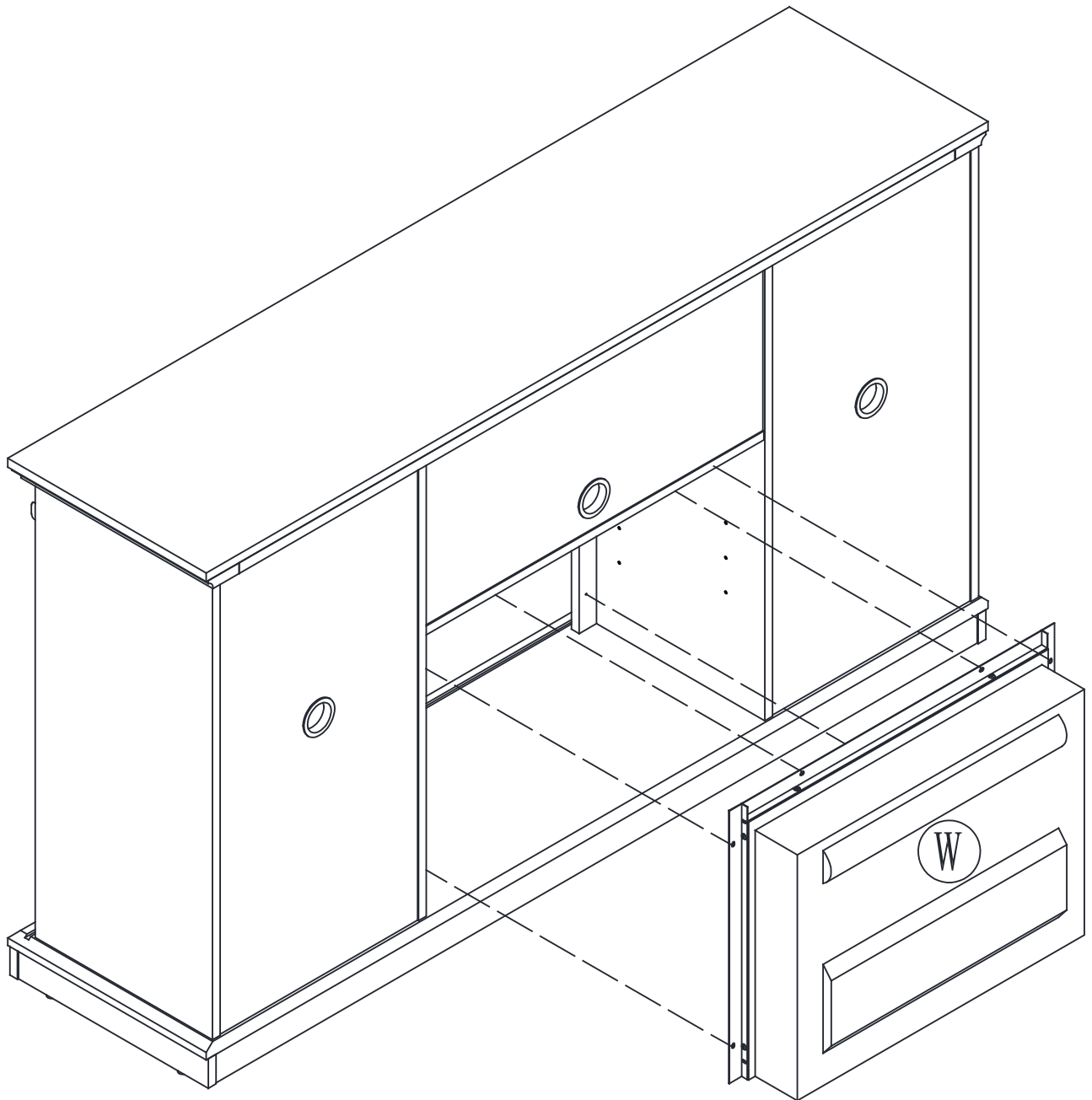
CAUTION!!

Please read all FIREPLACE instructions prior to installing or removing it from your unit.
Do not plug the FIREPLACE into the power supply until it is installed and your unit is in its final position. Do not move the FIREPLACE while it is plugged into a power supply. Unplug it before moving it.



Step 27

- ◆ Insert the FIREPLACE (W) in through the opening in the back of your unit.
- ◆ Fasten the FIREPLACE (W) to the MOLDINGS (O, P and Q). Use two BLACK 3/8" PAN HEAD SCREWS (ZZ) through the BRACKETS on the FIREPLACE and into the holes in the MOLDINGS



Step 28

- ◆ Peel APPLIQUES from the APPLIQUE CARDS (4) and stick them onto each visible HIDDEN CAM.
- ◆ This completes assembly. Clean with a damp cloth. Wipe dry.
- ◆ Apply the WARNING LABEL (16) to the TOP (A). You should be able to read the label when the TV is removed from the unit. When the TV is in place, it should hide the label. Peel off the backing and apply the label as shown in the diagram.
- ◆ NOTE: This is a permanent label intended to last for the life of the product. Once applied, do not try to remove it.
- ◆ This completes assembly. Clean with a damp cloth. Wipe dry.

⚠ WARNING	• ADVERTENCIA	• AVERTISSEMENT ⚠
Never use this furniture with a TV that is too large or too heavy. Severe injury or death can occur. The TV and furniture will be unstable and may tip.	Nunca use este mueble con un televisor que es demasiado grande o demasiado pesado. Podría resultar en una lesión grave hasta fatal. El televisor y el mueble estarán inestables y pueden volcarse.	Ne jamais utiliser ce meuble avec un téléviseur qui soit trop large ou trop lourd. Risque de provoquer des blessures graves, voire mortelles. Le téléviseur et le meuble seront instables et risquent de se renverser.
-The TV must weigh less than 70 lbs. -The base of the TV must be able to sit completely on this shelf.	-El televisor debe pesar 31,75 kg o menos. -La base del televisor debe poder colocarse completamente sobre este estante.	-Le téléviseur doit peser 31,75 kg ou moins. -Le socle du téléviseur doit pouvoir être placé complètement sur cette tablette.
Refer to instruction book for complete safety information.	Consulte el folleto de instrucciones para información completa sobre la seguridad.	Consulter le manuel d'instructions pour information complète concernant la sécurité.
<i>Note: This is a permanent label. Do not try to remove. Surface will be damaged.</i>	<i>Nota: Esta etiqueta es permanente. No intente quitarla. Causará daño a la superficie.</i>	<i>Remarque: Cette étiquette est permanente. Ne pas essayer de la retirer. Causera des dommages à la surface.</i>

