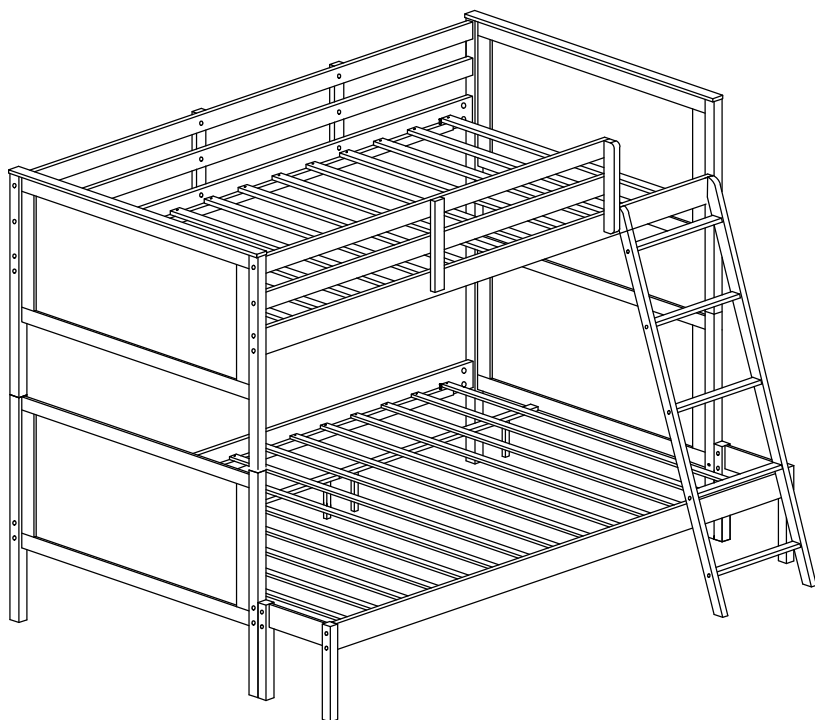


ASSEMBLY INSTRUCTIONS



TOOLS REQUIRED



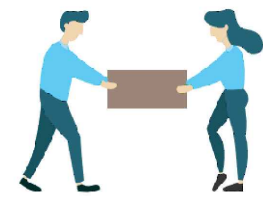
Allen Wrench

(Included)



Phillips
Screwdriver

(Not Included)



2 - People
Recommended

ASSEMBLY RATING



EASY ————— DIFFICULT

The Assembly Rating is a 5-point system showing the level of effort needed to assemble a specific product.



SAFETY WARNING



1. This bed is designed for use only mattress (es) meeting the following specifications on the upper bunk, and lower bunk:

Down bed

Bed type	Length	Width	Thickness
Twin Standard	74"-75"	53"-54"	10" max

Up bed (Bunk bed and tribed included)

Bed type	Length	Width	Thickness
Twin Standard	74"-75"	53"-54"	6" max

2. Replacement parts, including additional guardrails, maybe obtained from any of our

FURNITURE OF AMERICA CALIFORNIA INC. 19605 E.,
WALNUT DRIVE NORTH, CITY OF INDUSTRY, CA 91789, USA.

3. Follow the information on the warnings appearing on the upper bunk bed end structure and on the carton. Do not remove warning label from bed.
4. Always use the recommended size mattresses or mattress supports, or both, to help prevent the likelihood of entrapment or falls.
5. Surface of mattress must be at least 5" (127mm) below the upper edge of guardrails.
6. Do not allow children under 6 years of age to use the upper bunk.
7. Periodically check and ensure that the guardrail, ladder, and other components are in their proper position, free from damage, and that all connectors are tight.
8. Do not allow horseplay on or under the bed and prohibit jumping on the bed.
9. Always use the ladder for entering and leaving the upper bunk.
10. Do not use substitute part. Contact the manufacture or dealer for replacement part.
11. Use of a night light may provide added safety precaution for a child using the upper bunk.
12. Always use guardrails on both long sides of the upper bunk, If the bunk bed will be placed next to the wall, the guardrail that runs the full length of the bed should be placed against the wall to prevent entrapment between the bed and wall.
13. The use of water or sleep flotation mattresses is prohibited.
14. STRANGULATION HAZARD - Never attach or hang items to any part of the bunk bed that are not designed for use with the bed, for example, but not limited to, hook, belts and jump ropes.
15. Keep these instruction for future reference.
16. Prohibit more than one person on upper bunk
17. We recommend assembling your bunk bed on the shipping carton to protect your floor or carpet.
18. Be certain all staples are out of the box before beginning assembly on the shipping carton.



CHECK BEFORE STARTING

Are you missing anything?

Double-check all parts, hardware and accessories listed are all accounted for.

Check out our Quick Tips!

We recommend reviewing the pre-assembly handouts. Even experts need a refresher now and then!

Should we send any replacements?

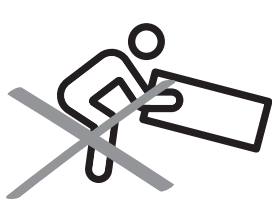
Are there any irregularities or flaws in the parts? We can send replacements!

Prep Time!

Please review the assembly instructions and all diagrams prior to assembling.

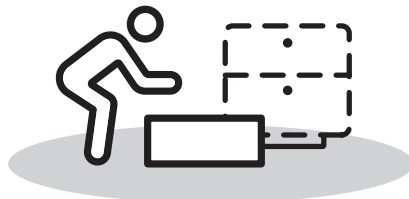
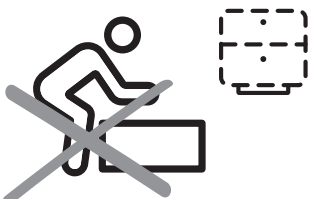
PRE ASSEMBLY INTRODUCTION

We understand building ready-to-assemble furniture can be a challenging experience for some. To help avoid confusion, we have provided some helpful tips that may speed up the process.



Teamwork

ALWAYS have at least two people to help with transporting and assembling the product to avoid potential injury and/or damage.



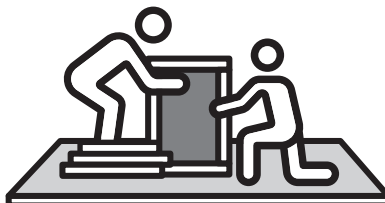
Suitable Location

Assembling near the area of the intended location is highly recommended.



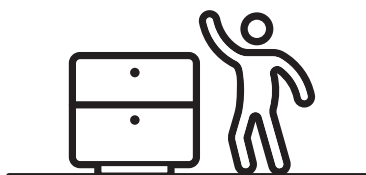
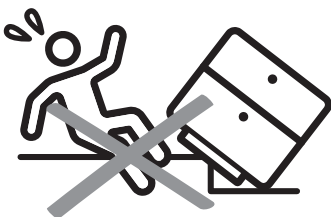
Sufficient Space

Make sure you have enough space to move around during the assembly.



Avoid Scratches

Use cardboard, blankets or a carpeted area while assembling furniture to prevent to prevent scratches and damages.



Flat Surface

Make sure the furniture rests on a flat and level surface with each leg evenly touching the floor.

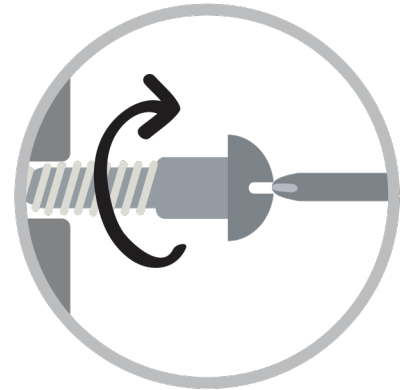
ASSEMBLY AND CARE ADVICE



FAILURE TO FOLLOW THE GUIDELINES BELOW MAY RESULT IN INJURY AND/OR PROPERTY DAMAGE.



Position each part correctly and insert screws or bolts into their respective holes.



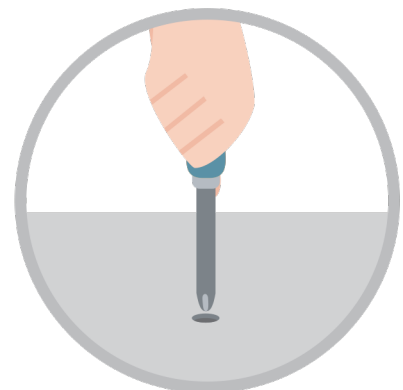
Turn clockwise to tighten and only tighten when step is completed or when instructed to do so.



Use the appropriate hand tools or power tools for assembly. Select steps, such as tightening screws and/or bolts, may require hand tools to avoid causing damage during assembly.



Save the instructions and store any supplied tools for later maintenance.



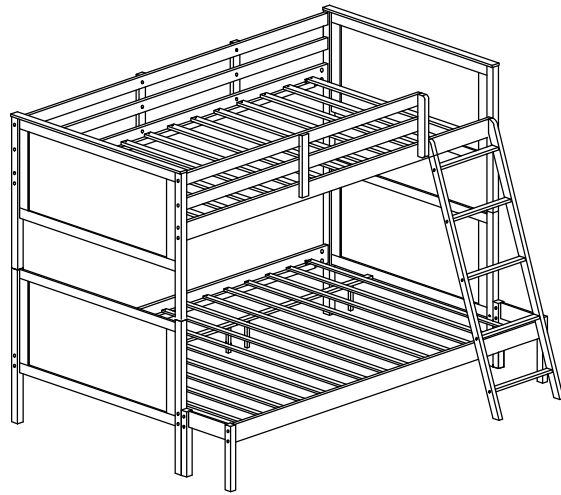
After two weeks, check and tighten any loose hardware and repeat again every six months thereafter.

IT IS THE USER'S RESPONSIBILITY TO MAINTAIN THE FURNITURE. THE HARDWARE MAY LOOSEN OVER TIME AND MAY CAUSE THE FURNITURE TO BE WOBBLY AND UNABLE TO SUPPORT ITS INTENDED WEIGHT CAPACITY. THIS MAY LEAD TO COLLAPSE AND MAY CAUSE SERIOUS INJURY.

BUNK BED

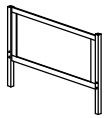


- Please keep instructions for future reference.
- Check the quantity and irregularity of parts and hardware before you start.



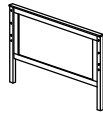
PARTS

#1 2pcs



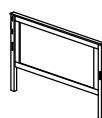
Lower bed end

#2 1pc



Left upper bed end

#3 1pc



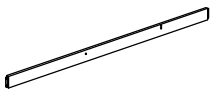
Right upper bed end

#4 2pcs



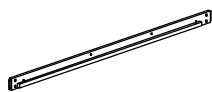
Under the bed

#5 1pc



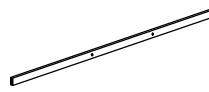
Top front side rail

#6 1pc



Top back side rail

#7 2pcs



Long guardrail

#8 2pcs



Short guardrail

#9 3pcs



Guard rail long support

#10 1pc



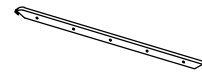
Guard rail support

#11 1set



Top slat

#12 1pc



Left ladder end

#13 1pc



Right ladder end

#14 5pcs



Ladder step

#15 2pcs



Lower middle horizontal

#16 4pcs



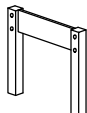
Lower support leg

#17 1set



Bottom slat

#18 2pcs



Extension kit L/R

HARDWARE

#A 16pcs



Bolt
Ø1/4" x 4-3/8"

#B 16pcs



Hanger nuts

#C 62pcs



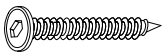
Screw
#4 x 30mm

#D 13pcs



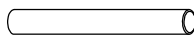
Bolt
Ø1/4" x 1-3/16"

#E 10pcs



Self-tapping
screw Ø6.5 x 2"

#F 4pcs



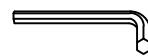
Connection nut
Ø9 x 3-1/2"

#G 6pcs



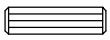
Self-tapping
screw Ø6.5 x 3-1/2"

#H 1pc



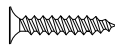
Allen Wrench
4mm

#I 12pcs



Wood Dowel
Ø10 x 40mm

#J 2pcs



Screw #4 x 20mm

#K 2pcs



Large metal plate
105 x 105 x 2mm

#L 8pcs



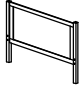

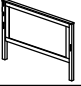



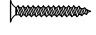


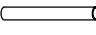









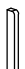
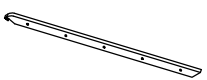
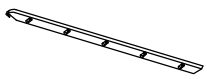
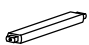

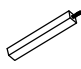

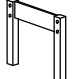
Cylinder nut
Ø1/4" x 3/4"

#M 8pcs

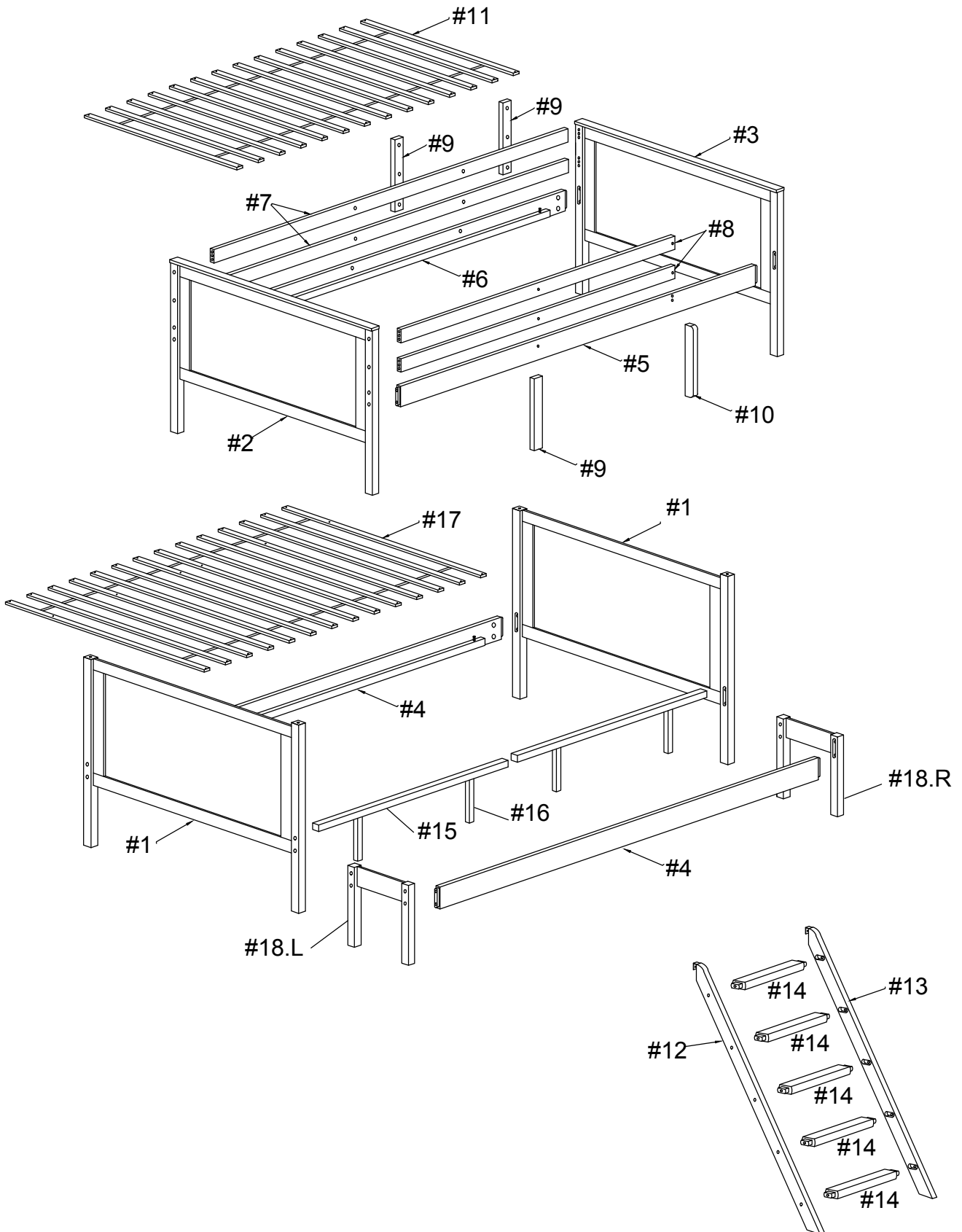


Bolt Ø1/4" x 2-3/16"

packed in 3 cases

Carton	Disignation	Part	Hardware
	Lower bed end (2pcs)	#1 	
	Left upper bed end	#2 	
	Right upper bed end	#3 	
	Under the bed (2pcs)	#4 	 #A x 16pcs  #B x 16pcs  #C x 62pcs  #D x 13pcs  #E x 10pcs  #F x 4pcs  #G x 6pcs  #H x 1pc  #I x 12pcs  #J x 2pcs
	Top front side rail	#5 	
	Top back side rail	#6 	
	Long guardrail (2pcs)	#7 	
	Short guardrail (2pcs)	#8 	
	Guard rail long support (3pcs)	#9 	
	Guard rail support	#10 	
	Left ladder end	#12 	
	Right ladder end	#13 	
	Ladder step (5pcs)	#14 	
		Slat (1set)	
Lower middle horizontal (2pcs)		#15 	
Lower support leg (4pcs)		#16 	
Bottom slat (1set)		#17 	
Extension kit L/R (2pcs)		#18 	

Exploded View



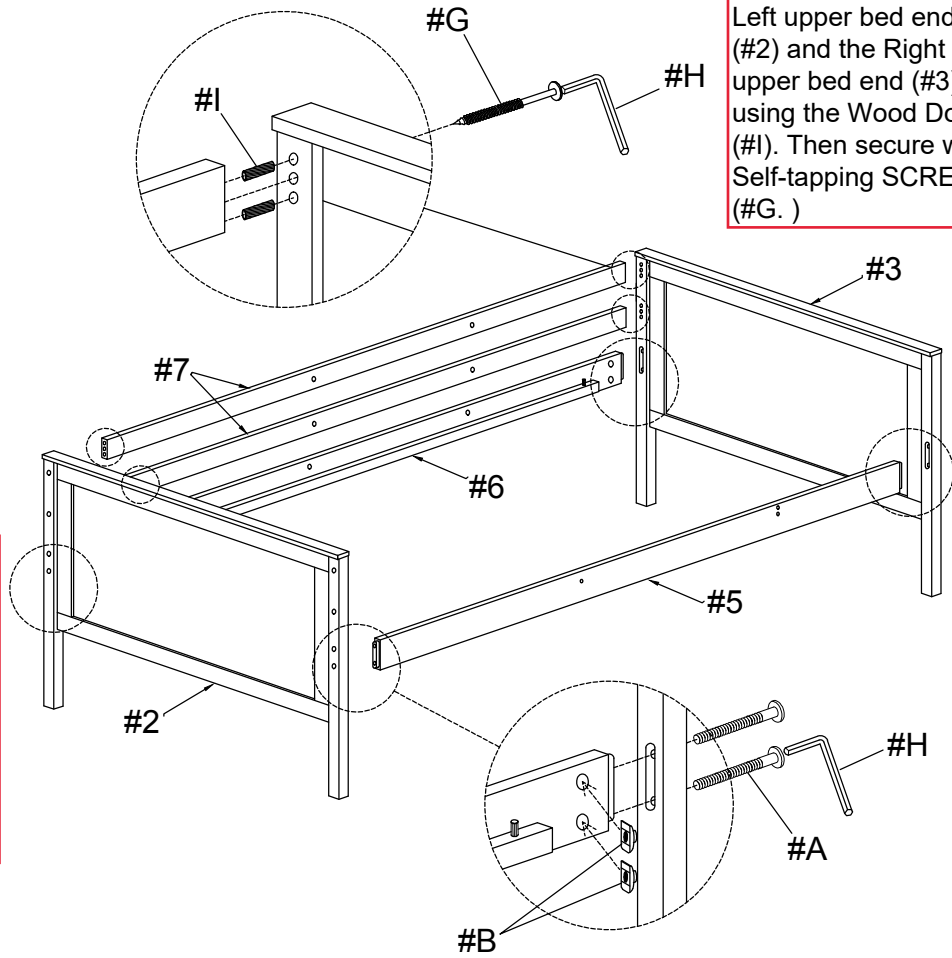
ASSEMBLY INSTRUCTIONS

1

- Part #2 x1pc
- Part #3 x1pc
- Part #5 x1pc
- Part #6 x1pc
- Part #7 x2pcs

- Hardware #A x8pcs
- Hardware #B x8pcs
- Hardware #G x4pcs
- Hardware #H x8pcs

II. Insert Hanger Nuts (#B) into holes of Top front side rail (#5) and Top back side rail (#6). Then align rail to the Left upper bed end (#2) and the Right upper bed end (#3) and secure with Bolt (#A).

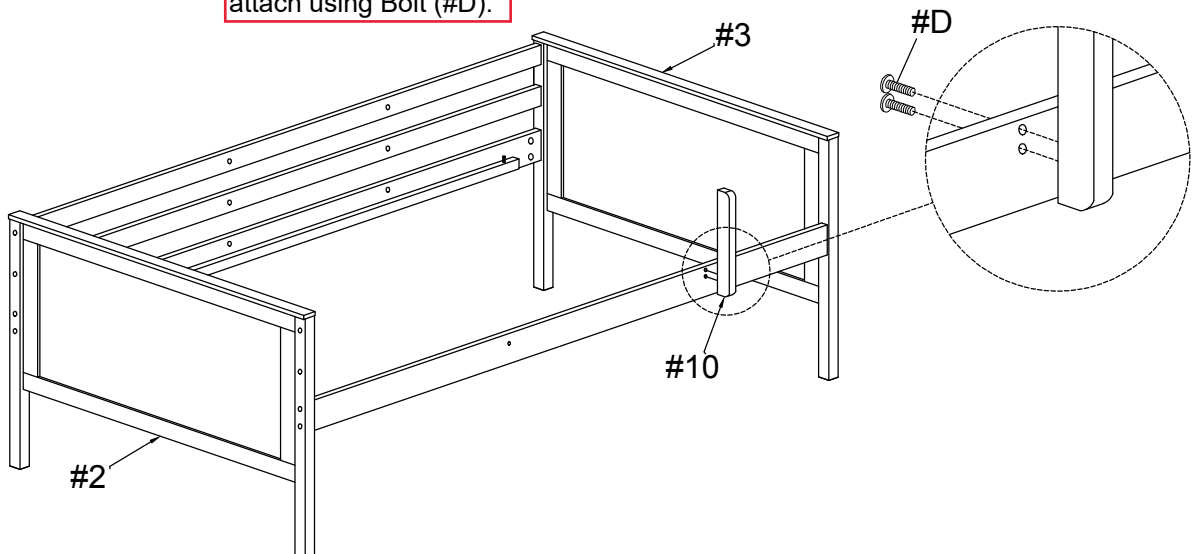


I. Align the Long Guadrails (#7) to the Left upper bed end (#2) and the Right upper bed end (#3) by using the Wood Dowel (#1). Then secure with Self-tapping SCREW (#G.)

2

- Part #10 x1pc
- Hardware #D x2pcs

Align the Guard rail support (#10) and attach using Bolt (#D).



ASSEMBLY INSTRUCTIONS

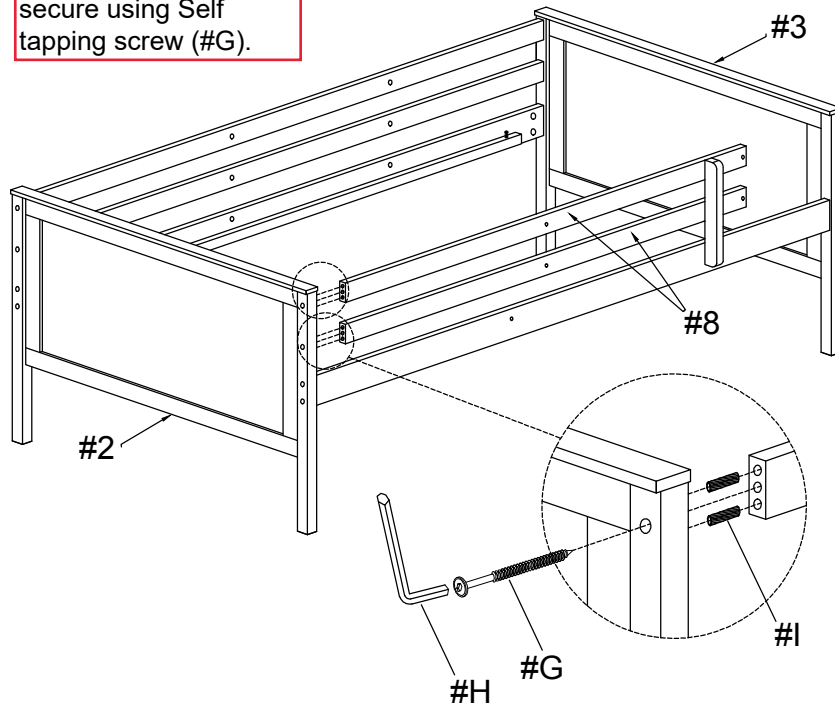
3

Part #8 x2pcs

Hardware #G x2pcs

Hardware #I x4pcs

Use Dowels (#I) to align the short guardrail (#8) and secure using Self tapping screw (#G).

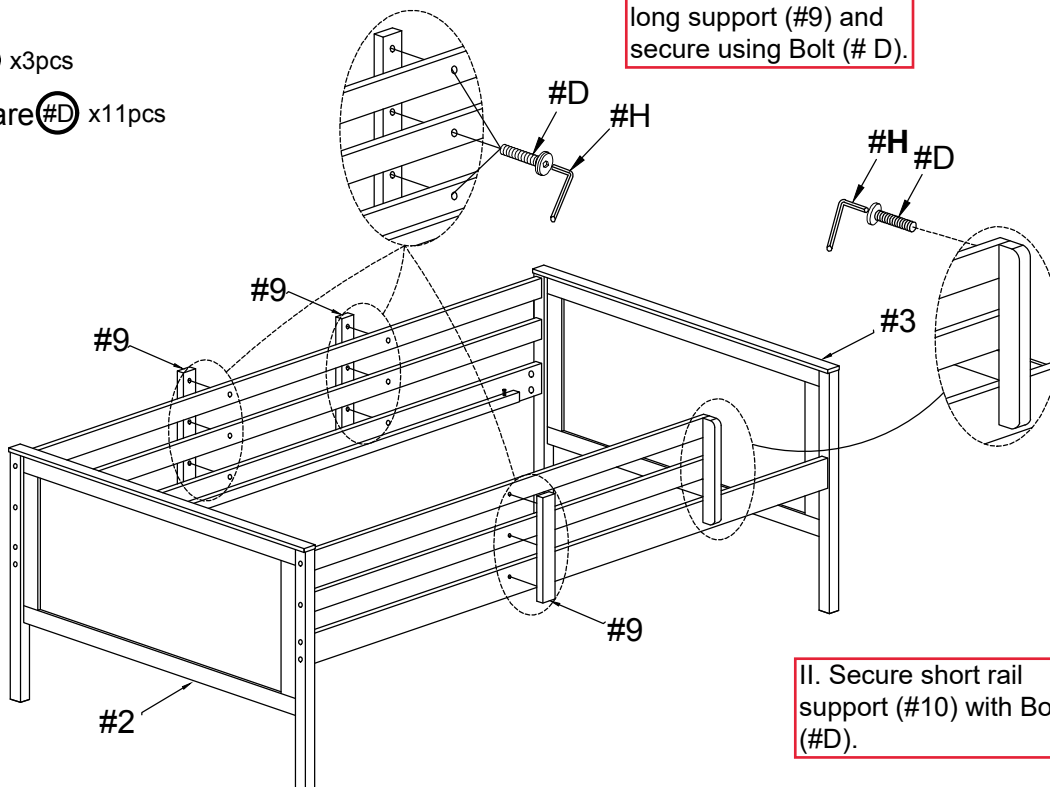


4

Part #9 x3pcs

Hardware #D x11pcs

I. Align the Guard rail long support (#9) and secure using Bolt (#D).



II. Secure short rail support (#10) with Bolt (#D).

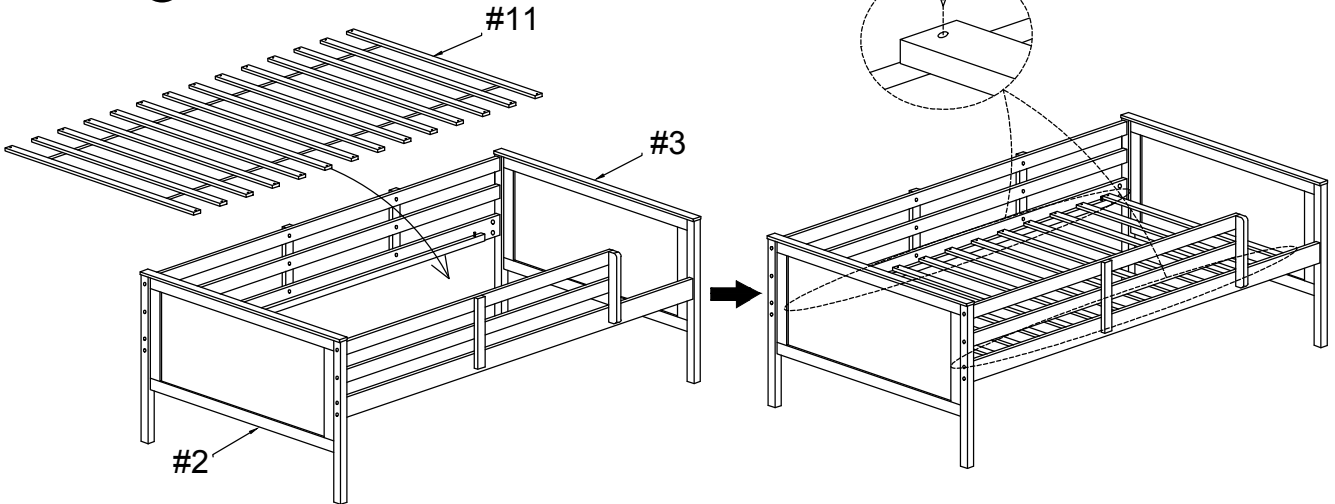
ASSEMBLY INSTRUCTIONS

5

Part #11 x1set

Hardware #C x 28pcs

Adjust Slats and
secure down by using
Screw (#C).



6

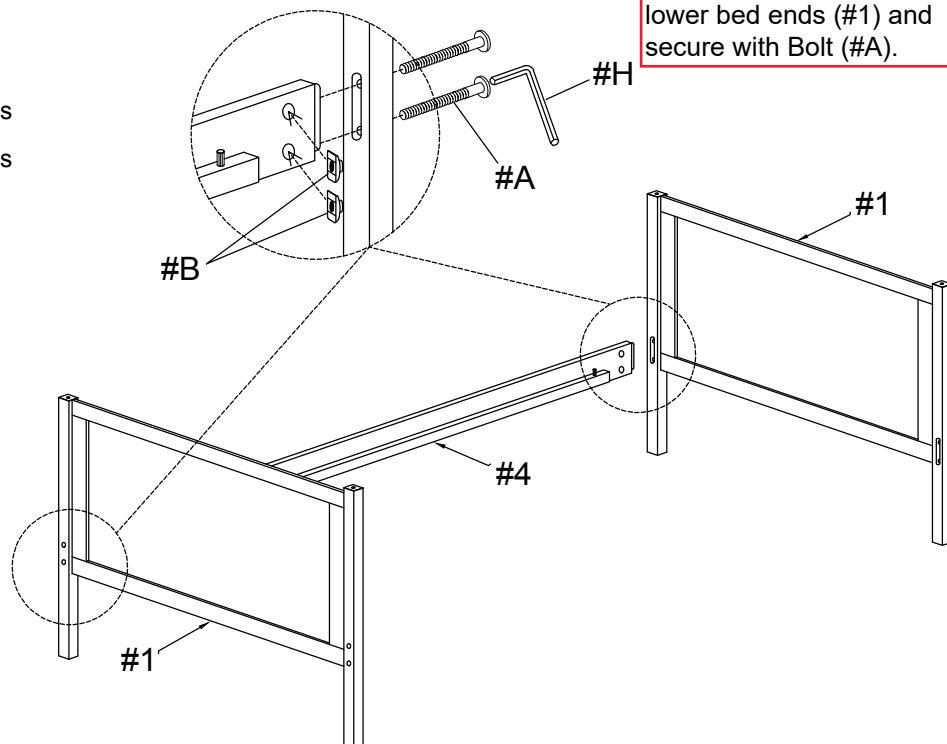
Part #1 x2pcs

Part #4 x1pc

Hardware #A x4pcs

Hardware #B x4pcs

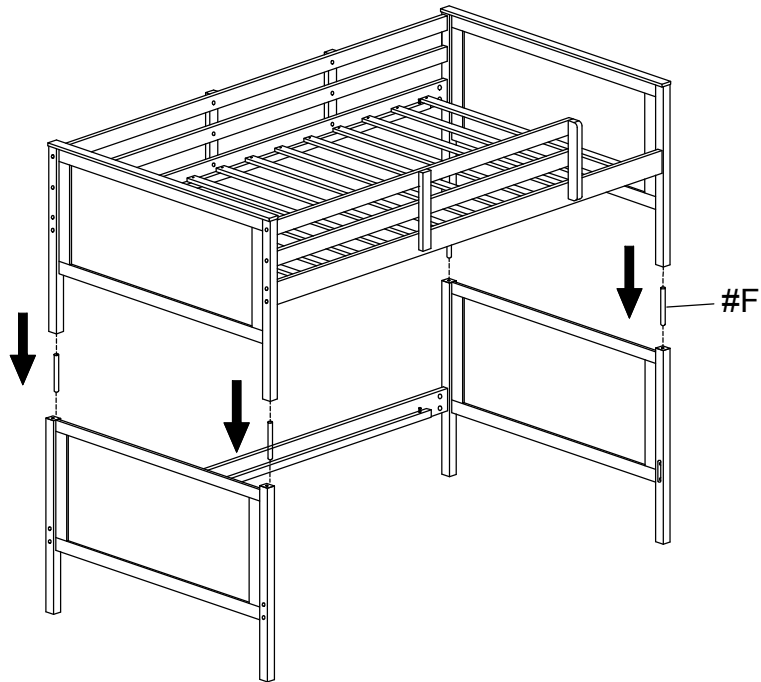
Insert Hanger Nuts (#B) into
holes of Under Bed tails
(#4). Then align rail to the
lower bed ends (#1) and
secure with Bolt (#A).



ASSEMBLY INSTRUCTIONS

7

Hardware **#F** x4pcs



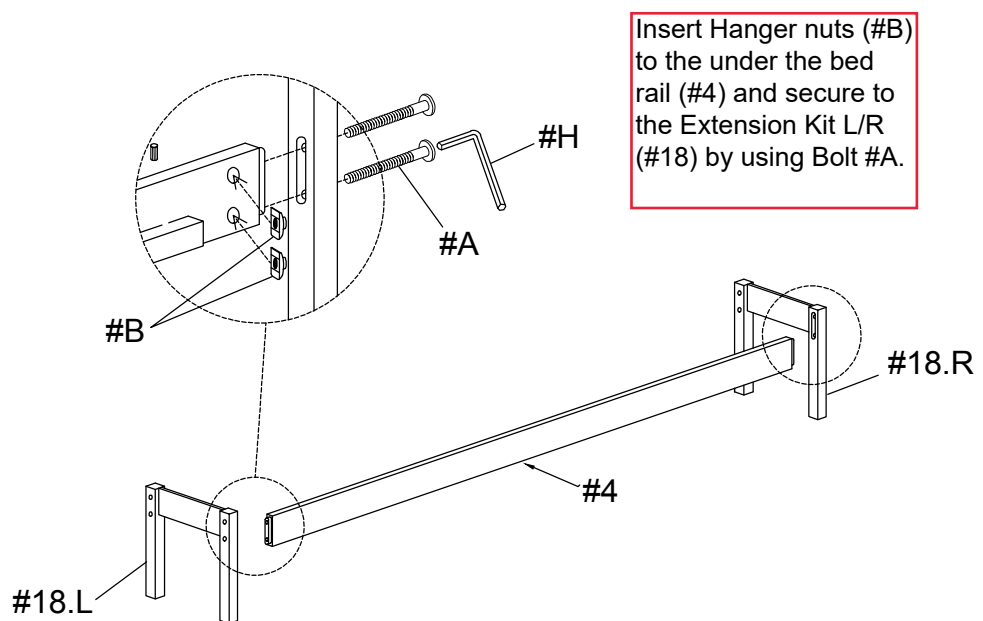
8

Part **#4** x1pc

Part **#18** x2pcs

Hardware **#A** x4pcs

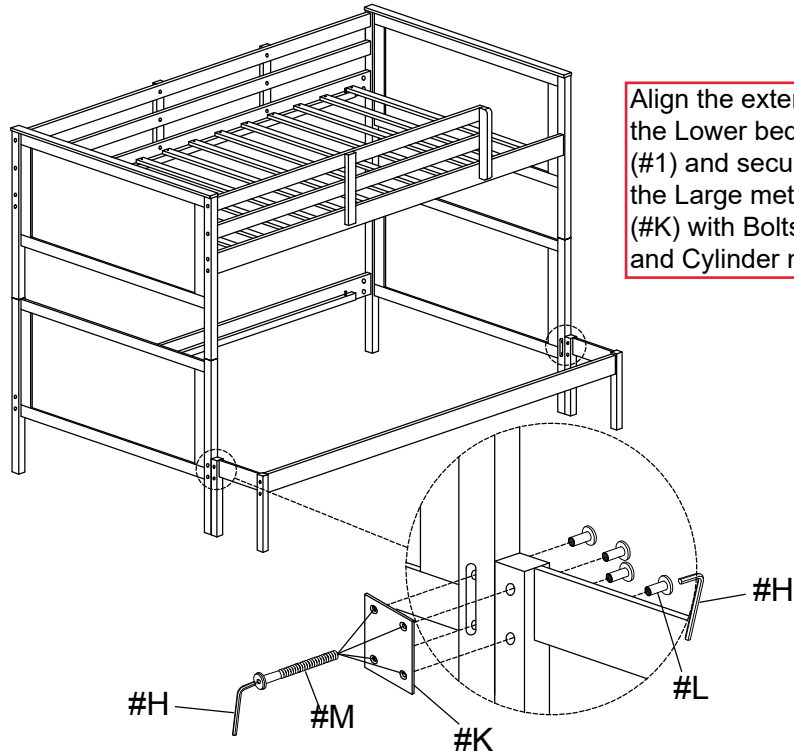
Hardware **#B** x4pcs



ASSEMBLY INSTRUCTIONS

9

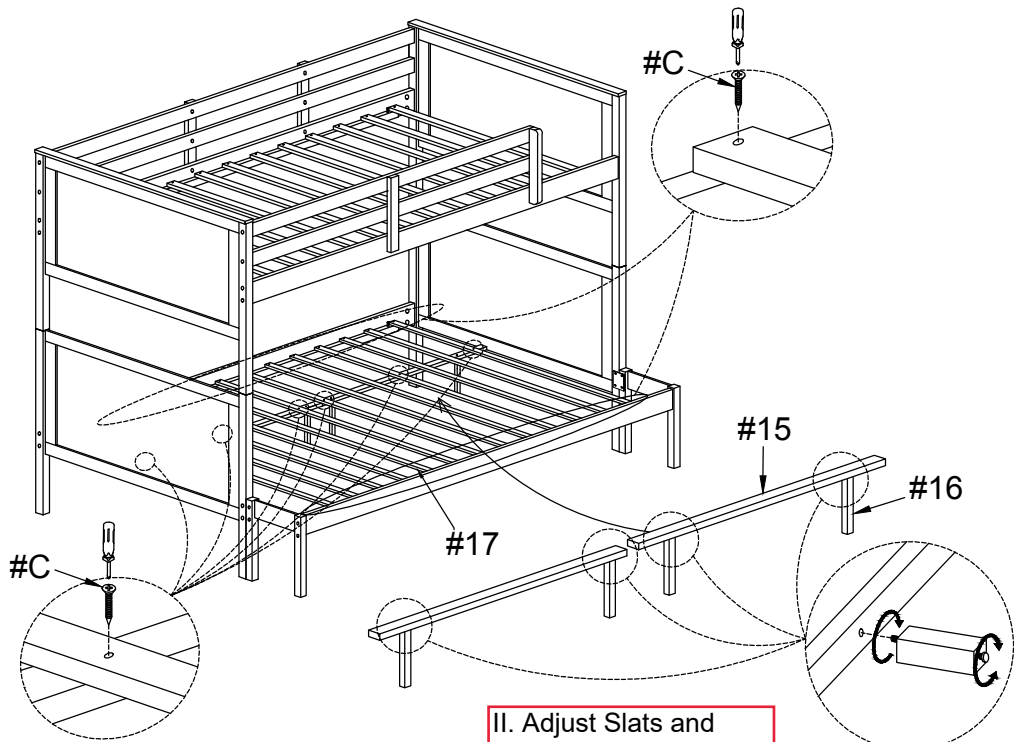
- Hardware (#K) x2pcs
- Hardware (#L) x8pcs
- Hardware (#M) x8pcs



Align the extension to the Lower bed ends (#1) and secure using the Large metal plate (#K) with Bolts (#M) and Cylinder nut (#L).

10

- Part (#15) x2pcs
- Part (#16) x4pcs
- Part (#17) x1set
- Hardware (#C) x 34pcs



I. Attach the Lower support Legs (#16) to the lower middle horizontals (#15). Align as shown in the diagram.

II. Adjust Slats and secure down by using Screw (#C).

ASSEMBLY INSTRUCTIONS

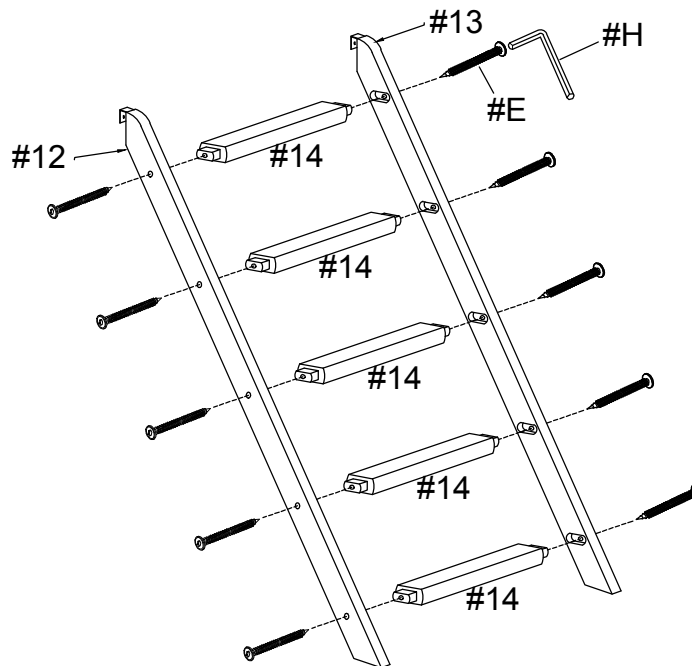
11

Part #12 x1pc

Part #13 x1pc

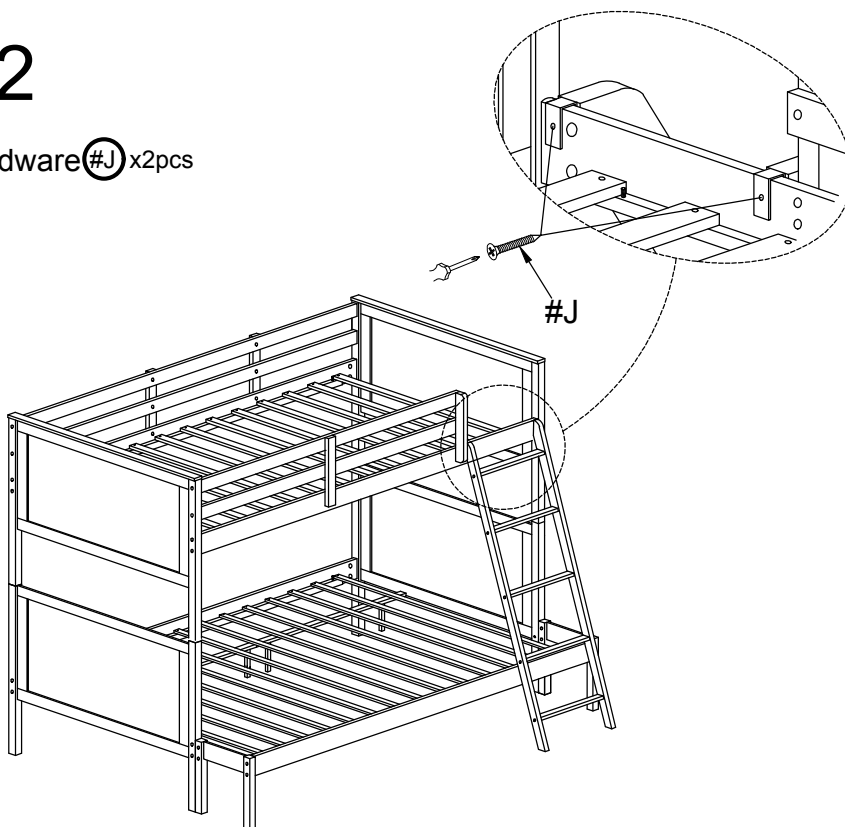
Part #14 x5pcs

Hardware #E x 10pcs



12

Hardware #J x2pcs



Use Screw (#J) to secure the ladder to the bed.

ASSEMBLY COMPLETED



Please ensure the furniture rests on an even and flat surface. If the product wobbles or feels loose, double-check all bolts and/or screws are properly tightened and secured.

Keep this handy!

Please retain this instruction manual and any order-related information for future reference.

Lift, don't drag!

To avoid damage to product please always LIFT the product when transporting or adjusting the placement.