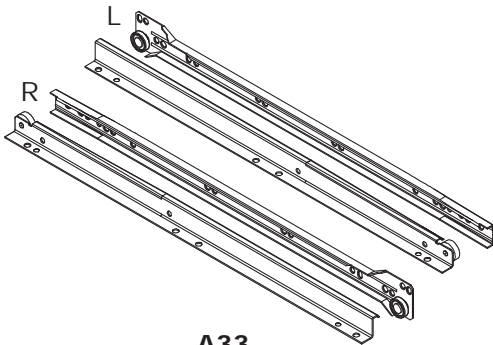
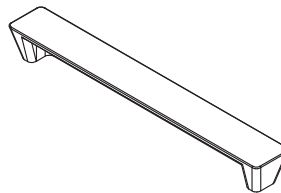


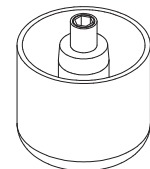
BU3631



A33
x2



M144
x5



P58
x3

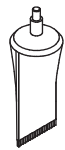
BU3606



V32
x10



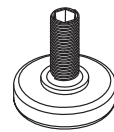
V5
x48



H14
x1



V13
x8



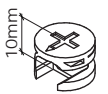
P25
x3



H118
x3



T28
x38



T98
x8



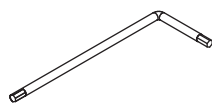
H113
x8



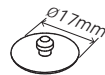
H210
x4



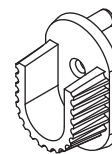
T7
x30



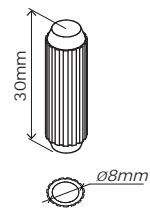
H138
x1



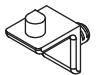
G67
x12



R34
x2



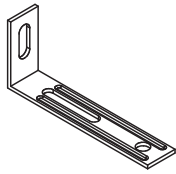
H1
x42



R40
x12



V45
x4



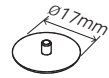
H185
x2



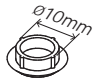
V81
x4



H129
x4



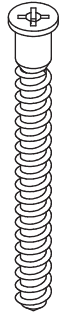
G128
x8



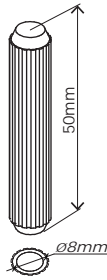
G158
x1



H2
x40



V115
x2



H32
x2



V57
x4

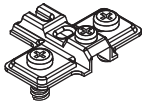


V145
x11

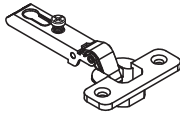


G65
x1

BU0779



B9
x8

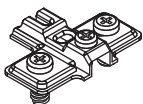


C1
x8

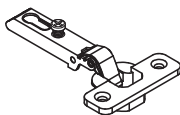


V5
x16

BU0346



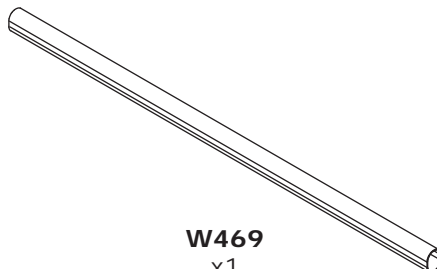
B9
x3



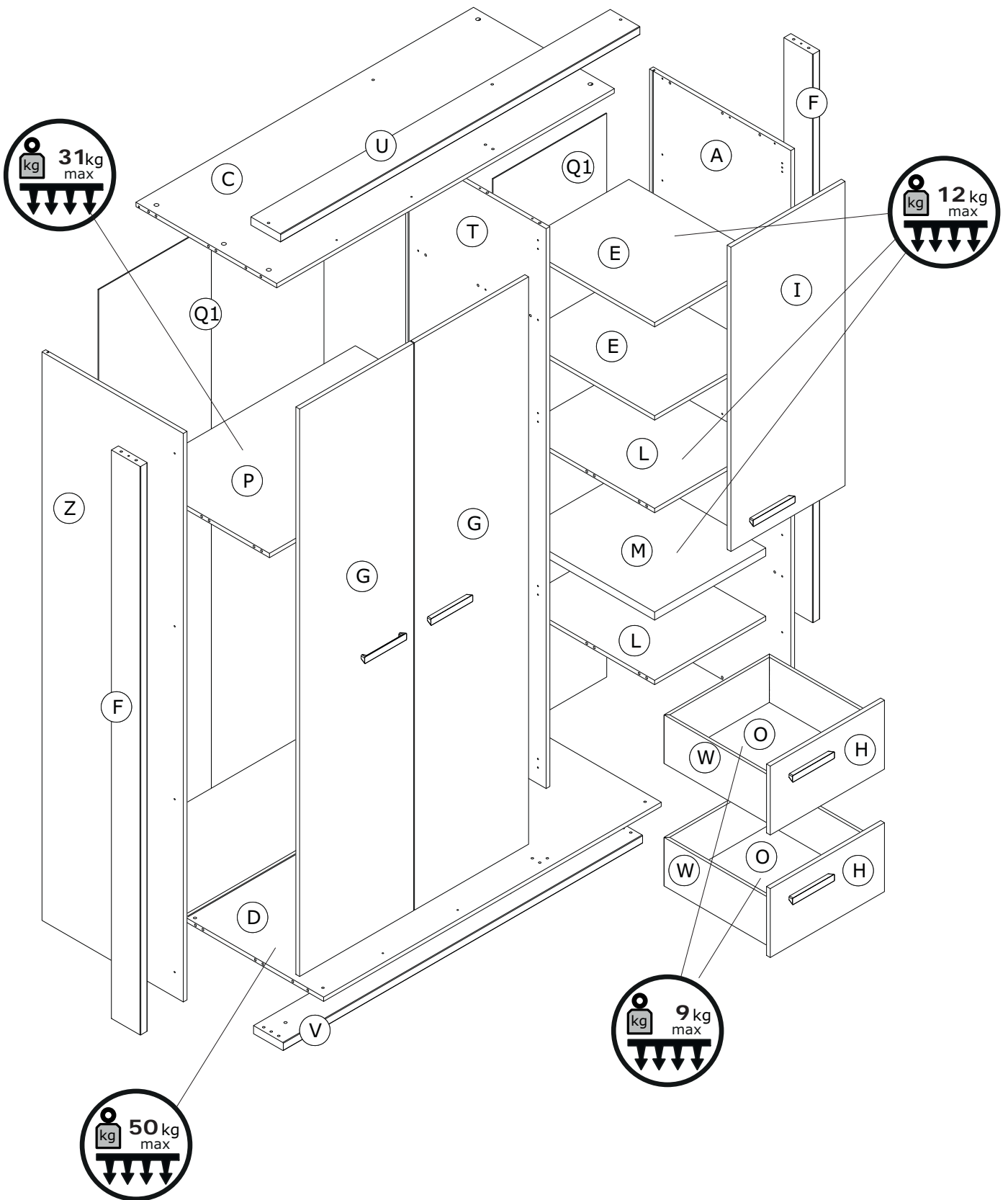
C1
x3

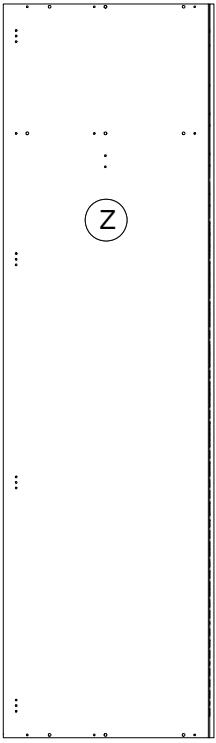


V5
x6

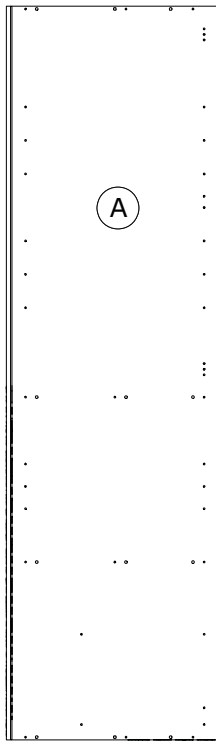


W469
x1

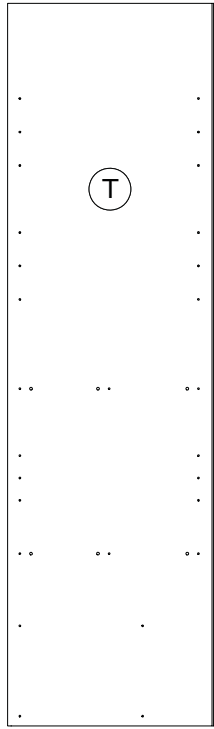




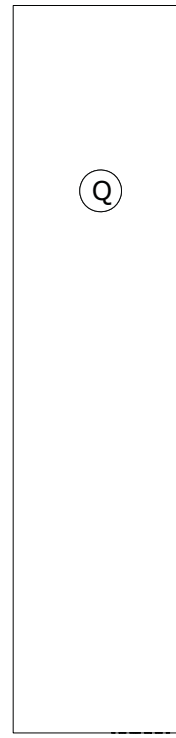
FI7815
2104x604x16mm



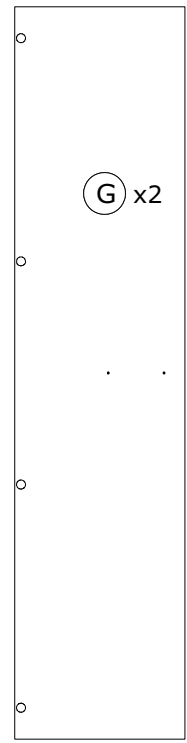
FI7816
2104x604x16mm



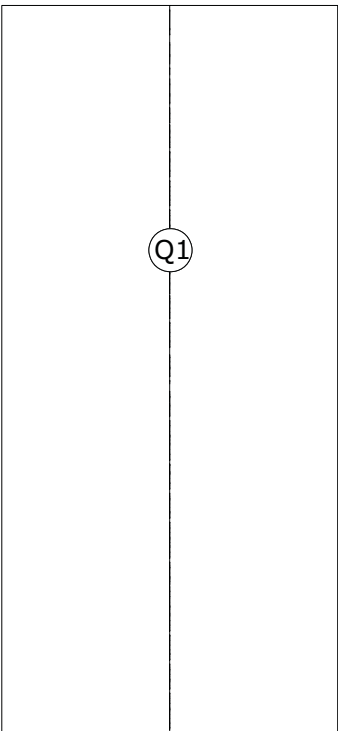
TR1956
2072x600x16mm



SH2978
2086x486x3mm



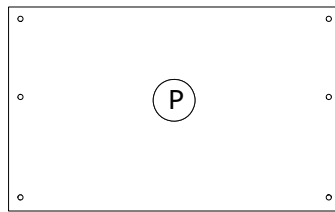
AN2520
2100x488x16mm



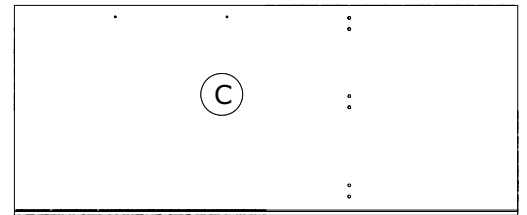
SH2977
2086x963x3mm



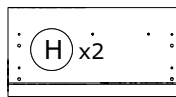
FS2889
2104x124x30mm



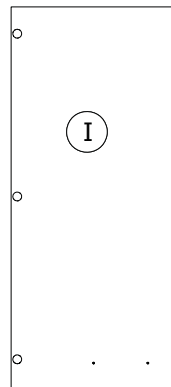
PI6714
952x585x16mm



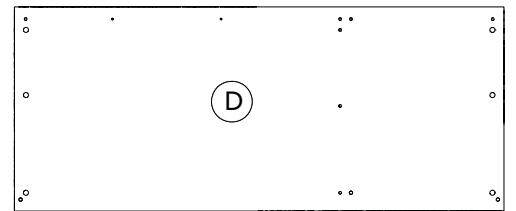
CA3211
1443x602x16mm



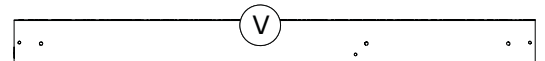
CS2798
488x255x16mm



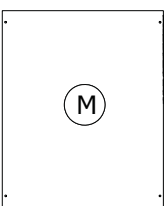
AN2522
1126x488x16mm



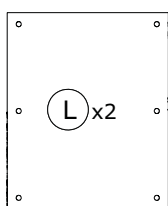
BA1953
1443x602x16mm



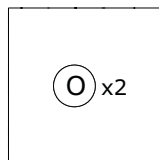
FS2893
1536x127x30mm



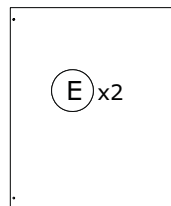
PI6717
475x585x16mm



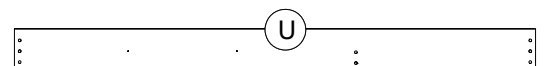
PI6715
475x585x16mm



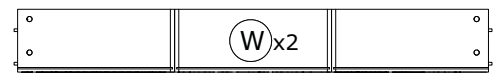
SH2979
451x437x3mm



PI6716
475x585x16mm

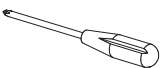
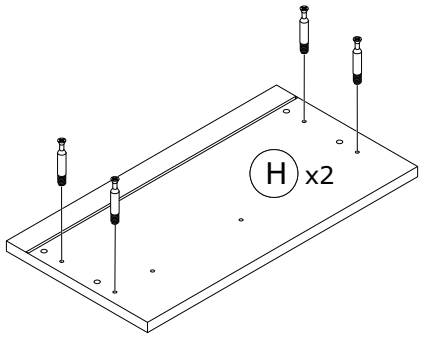
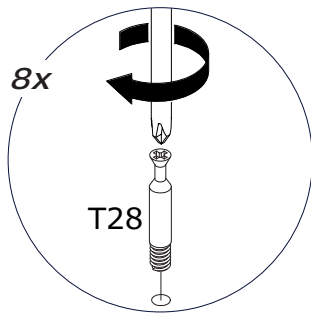


FS2891
1536x127x30mm

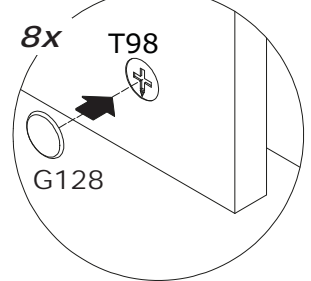
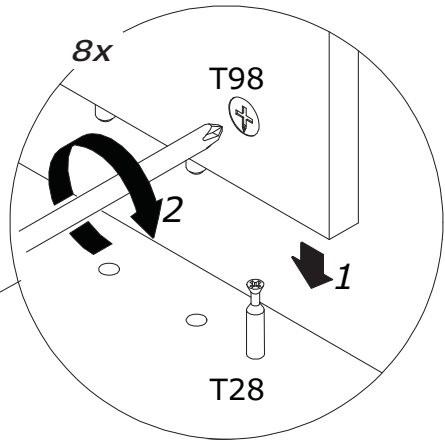
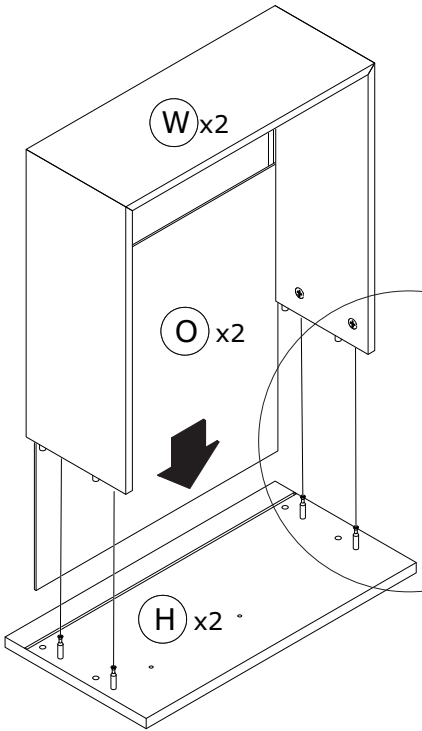
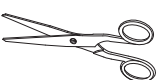
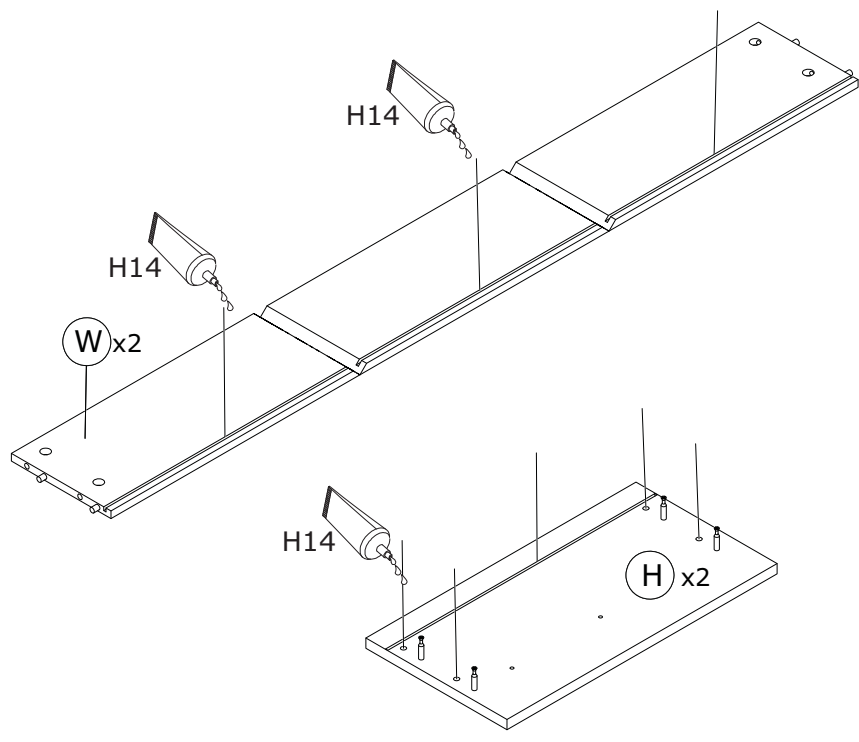
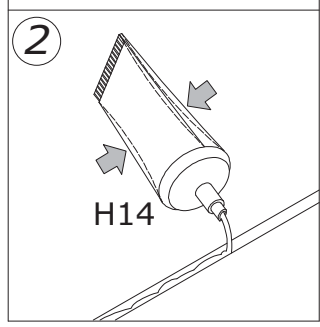
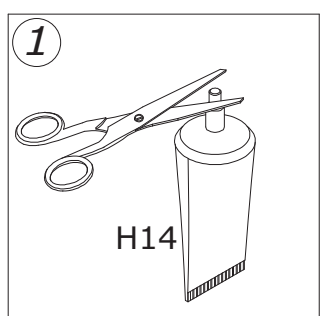


OF0407
450x450x450mm H.180mm

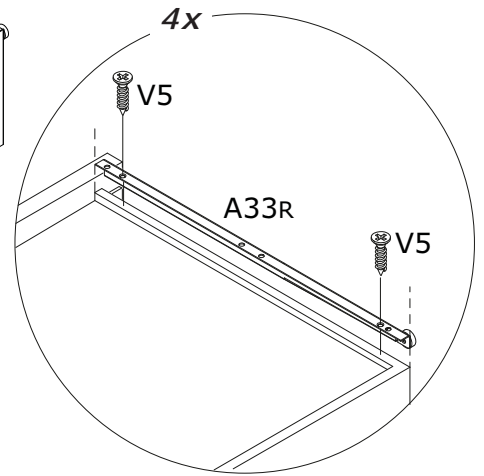
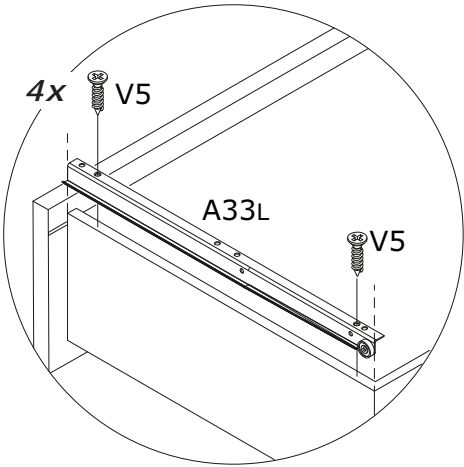
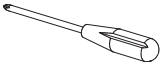
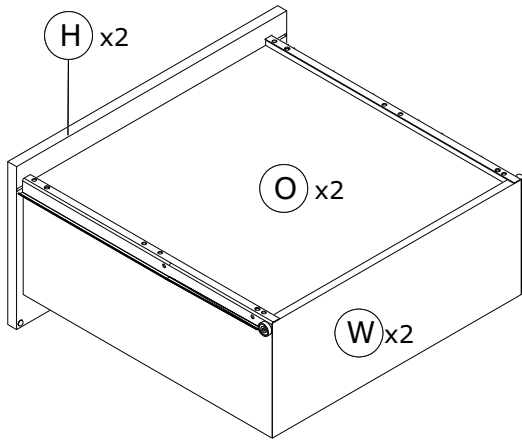
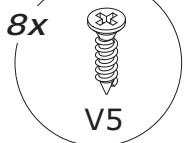
1



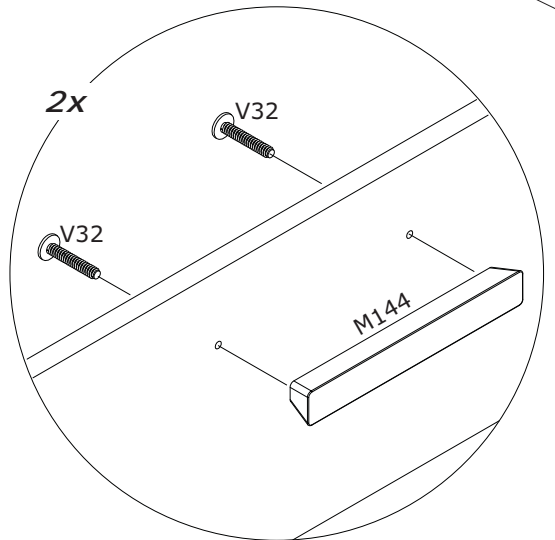
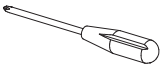
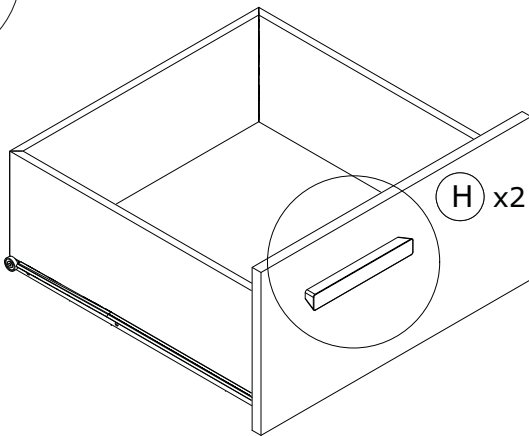
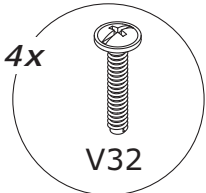
2



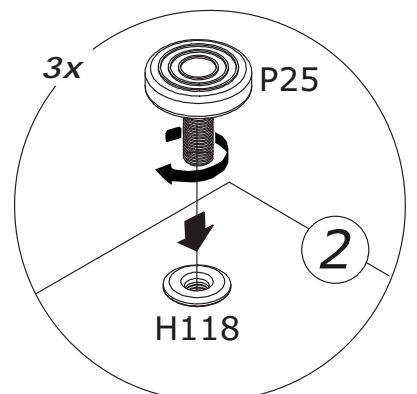
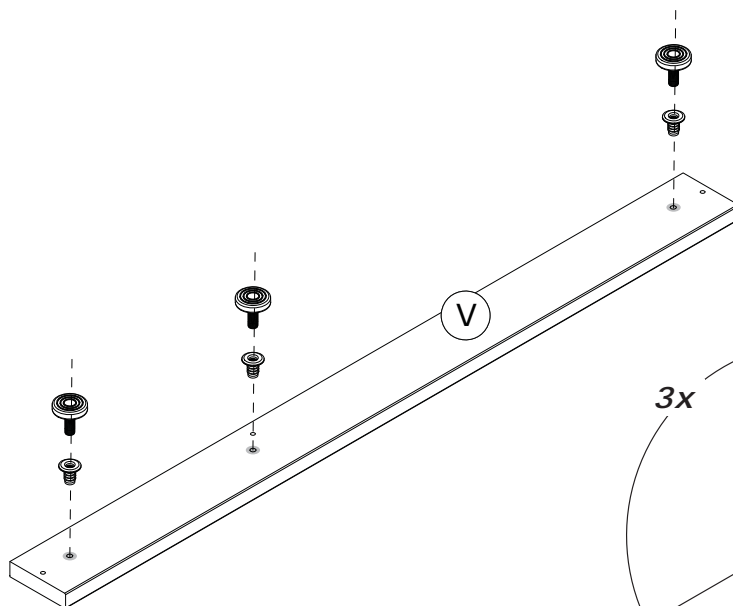
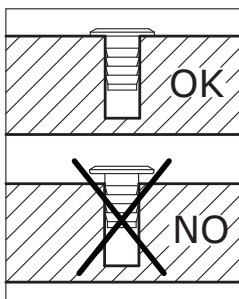
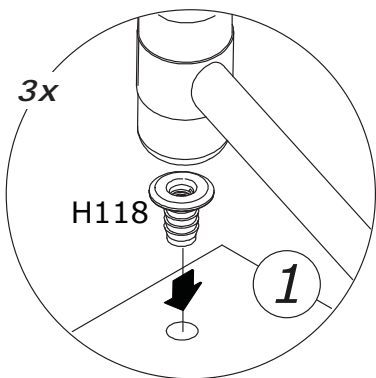
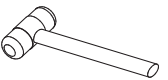
3

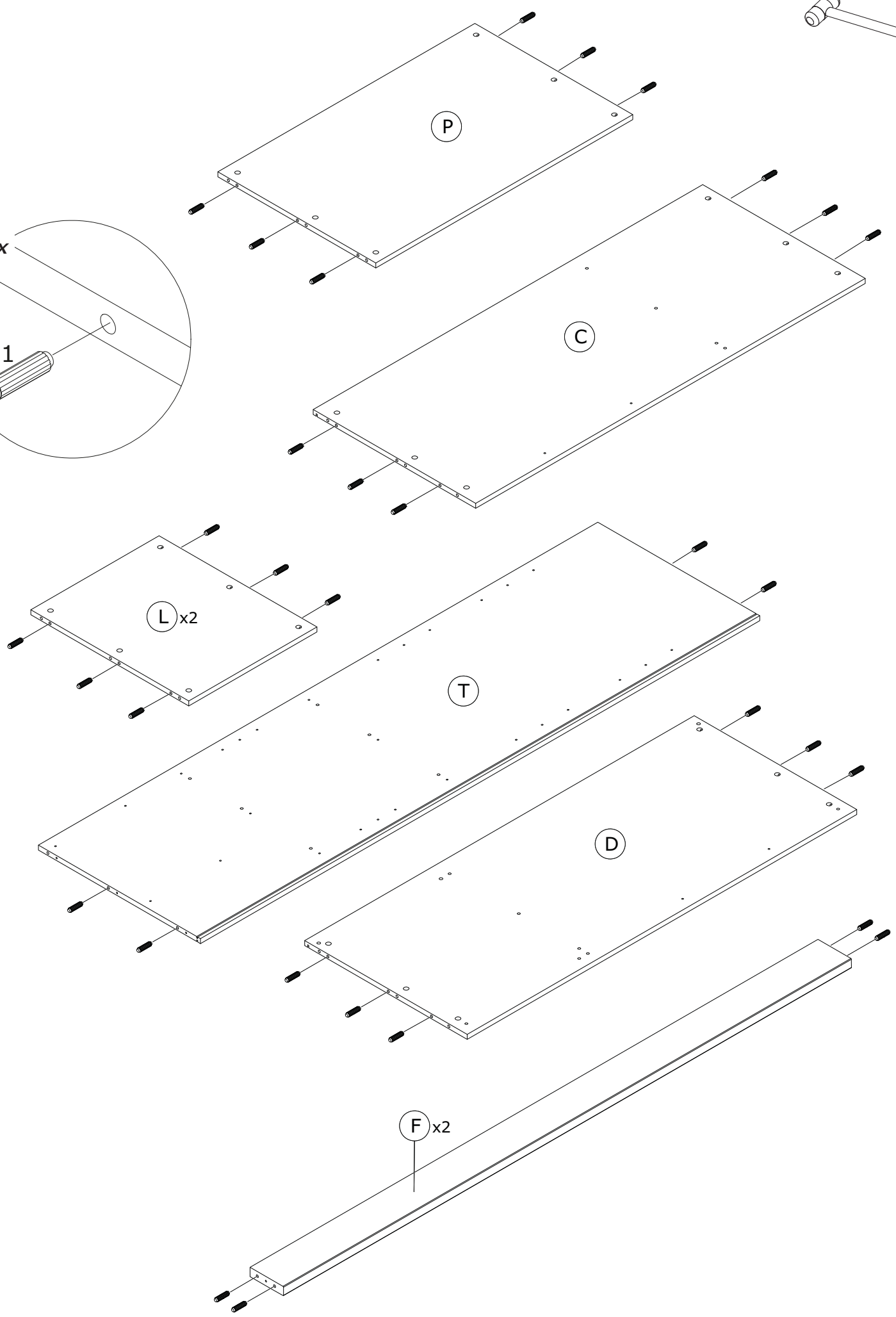
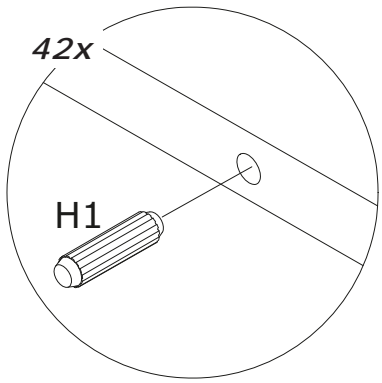
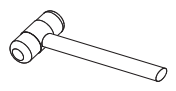


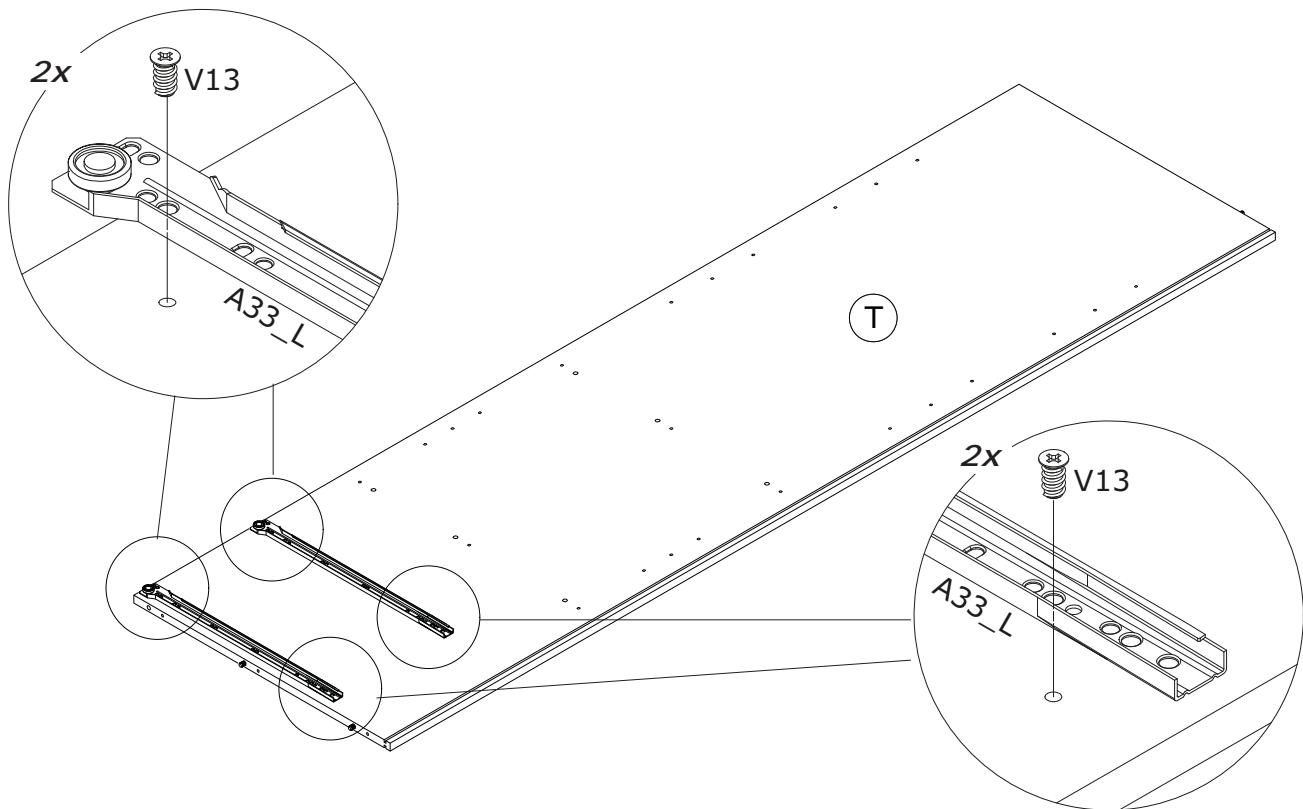
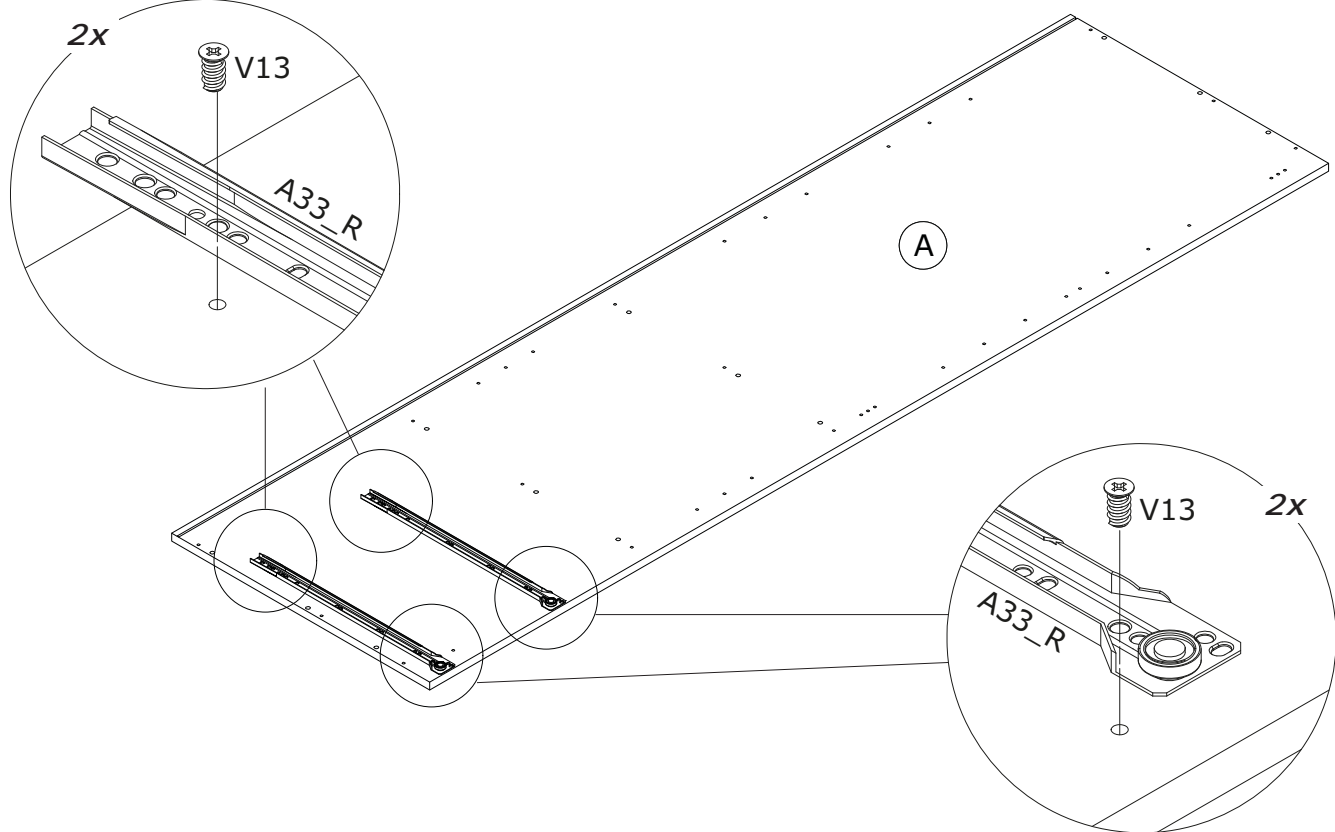
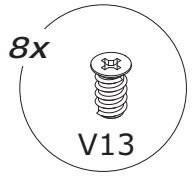
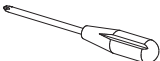
4

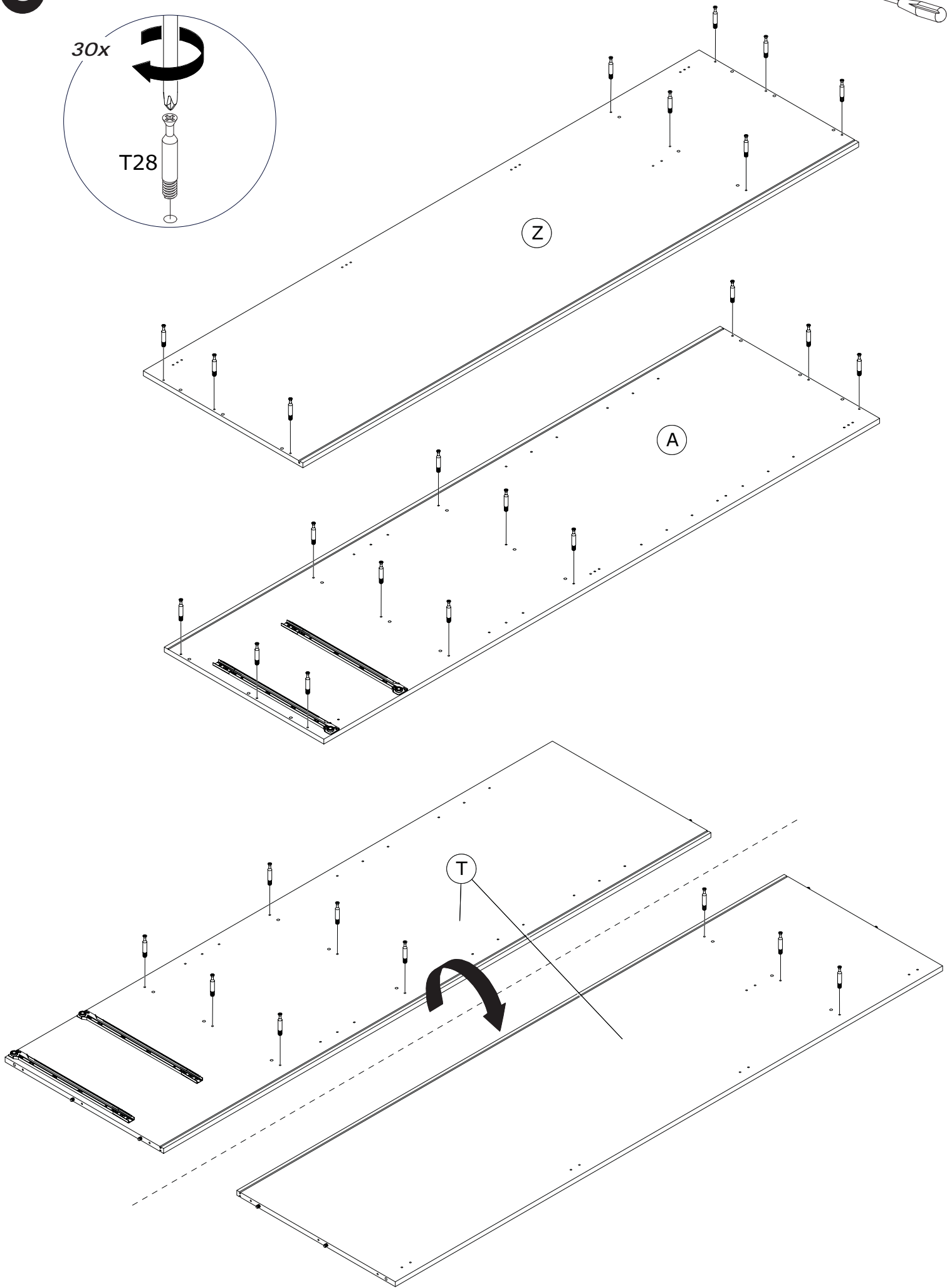
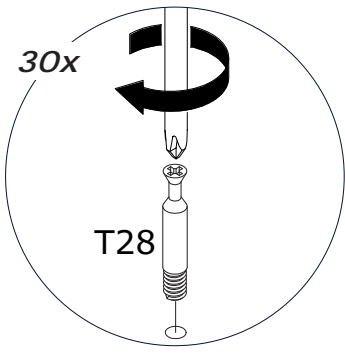
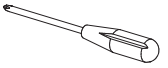


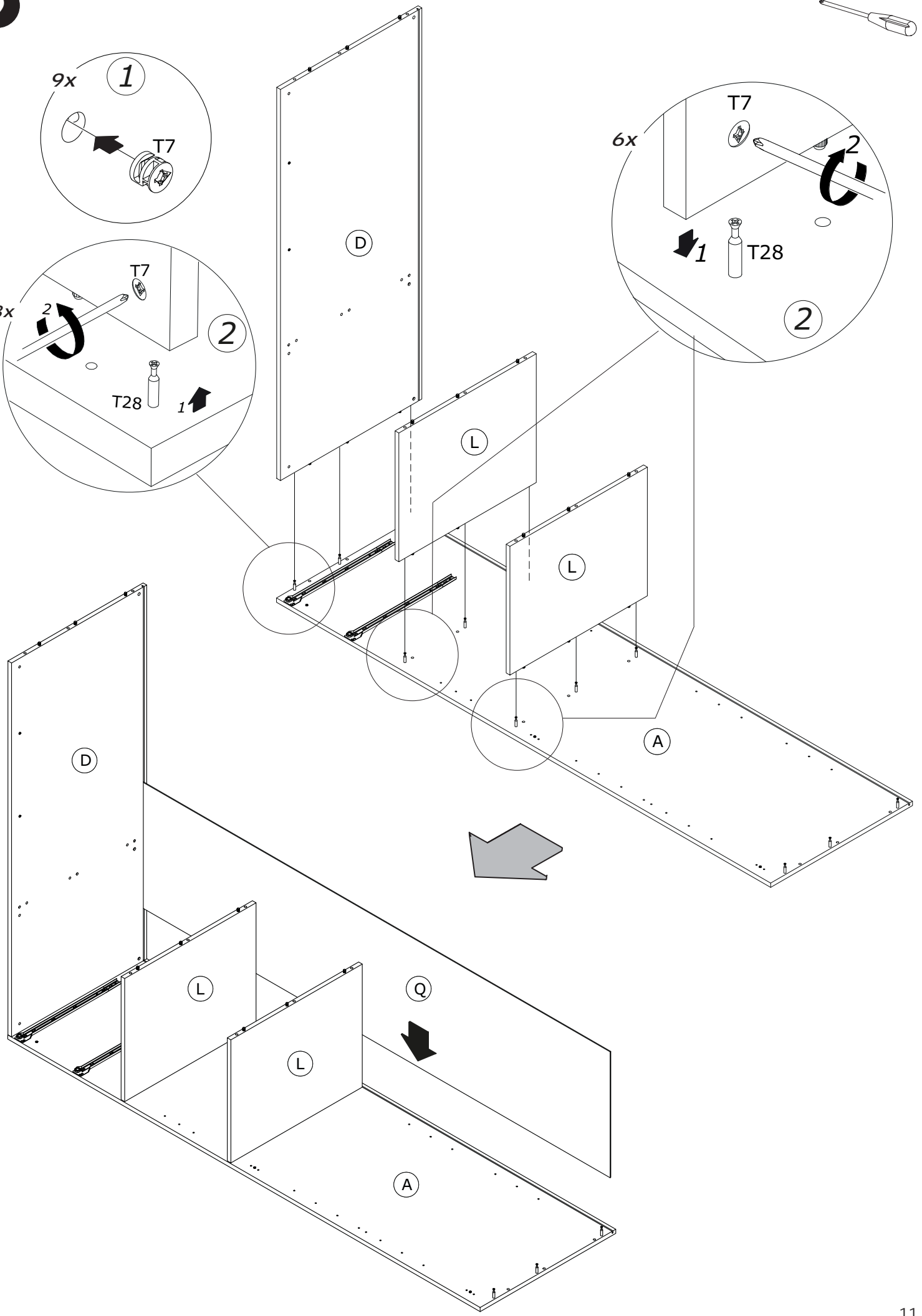
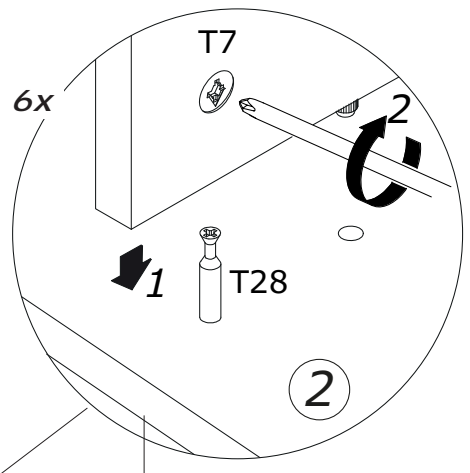
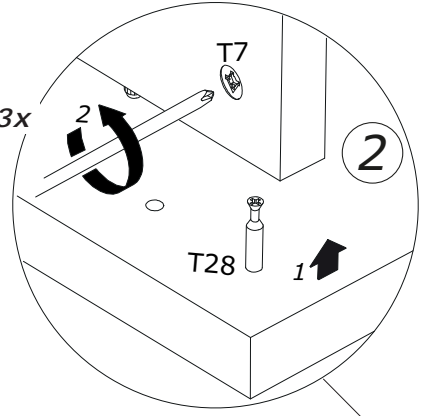
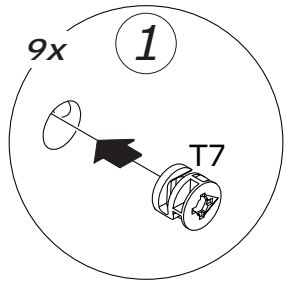
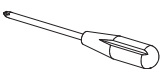
5

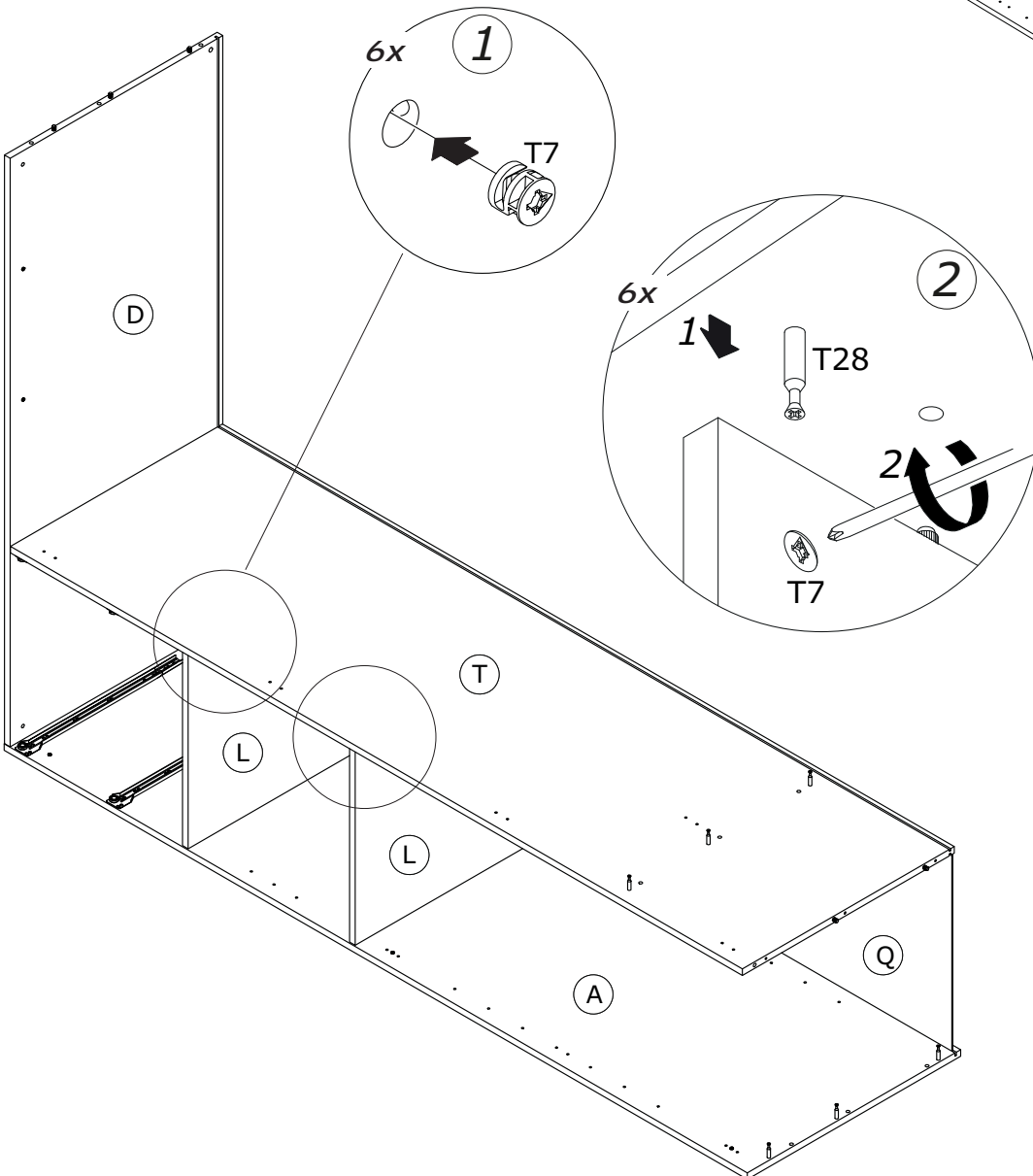
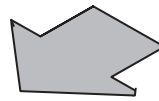
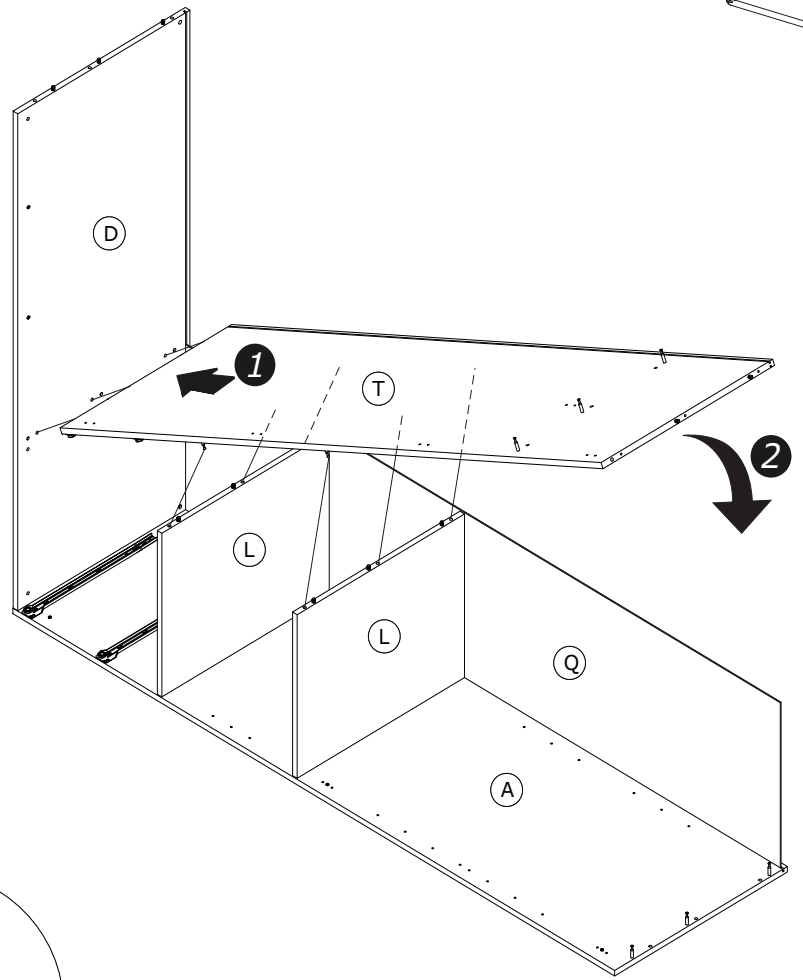
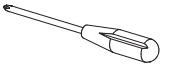












11

