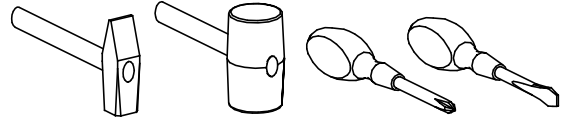
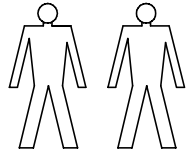
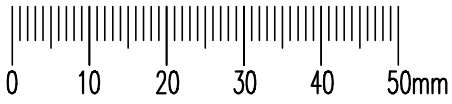


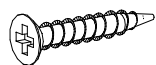
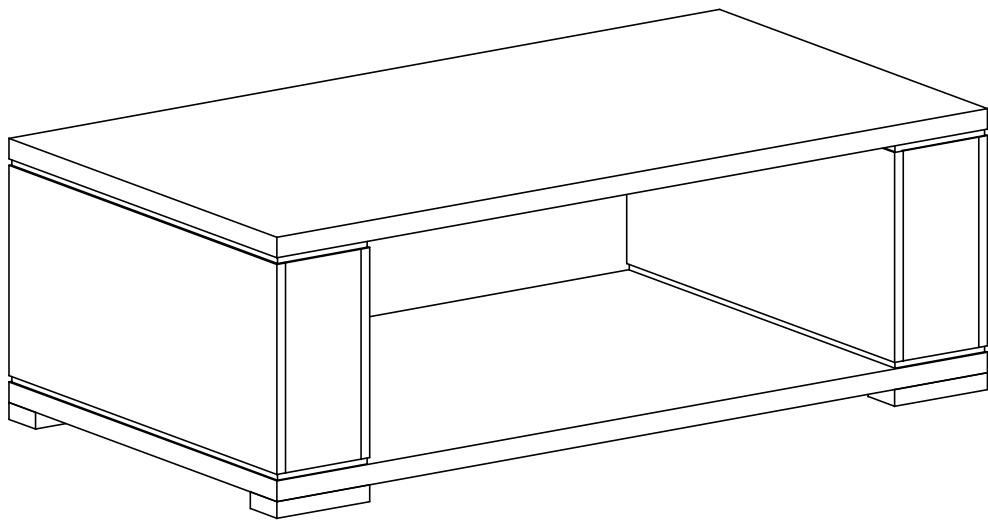
Please read the instructions  
before assembly!

Mounting tools that the customer needs:

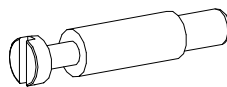


Important information:

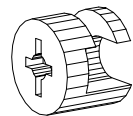
- 1) remove the protective foil if the table is in high gloss



R - 12 St.  
4 x 30 mm



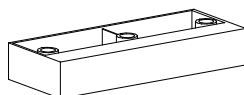
U - 12 St.



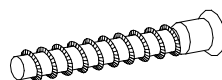
W - 12 St.



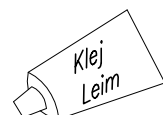
B - 40 St.



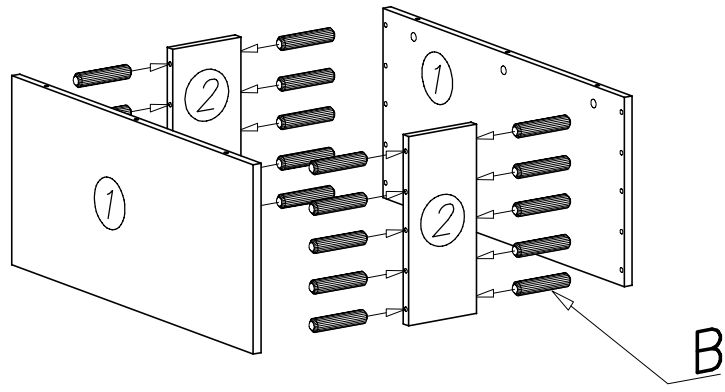
F - 4 St.



A - 12 St.  
7 x 70 mm



I



II

