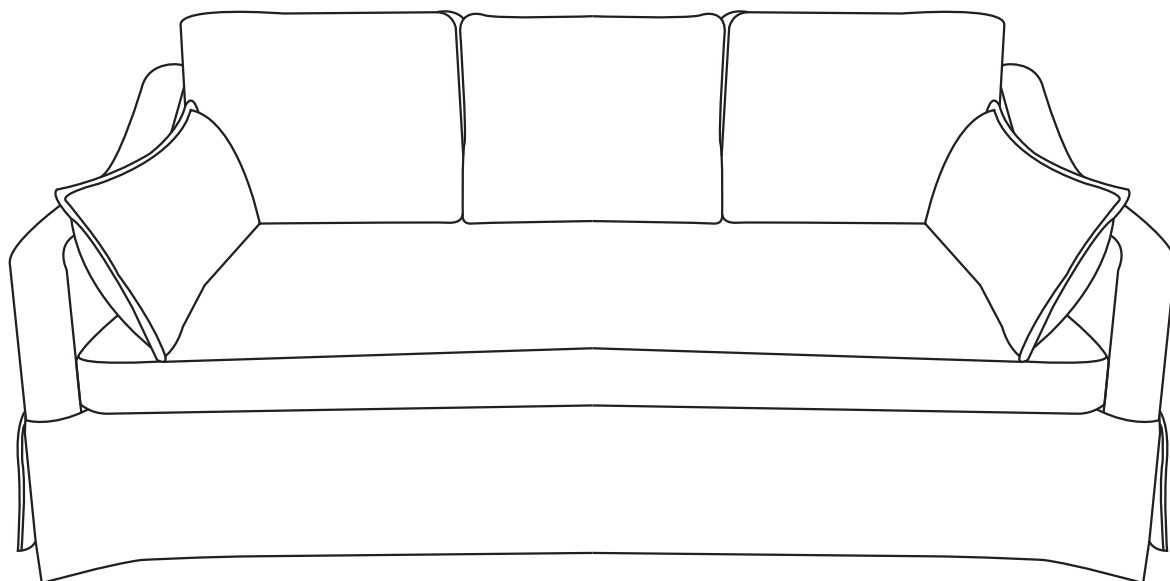


ASSEMBLY INSTRUCTIONS

Standard Sofa



TIME



2 OF PEOPLE



DIFFICULTY

NOTICE

Instruction Booklet - Important Safety Information

Thank you for choosing our product. Please review this booklet carefully for essential safety information and keep it for future reference.

- Upon receiving the product, ***ensure all parts are present and intact*** before proceeding with installation. Follow the entire installation instructions provided.
- During installation, exercise caution and refrain from immediately tightening screws. Secure all screws to 80% before final tightening.

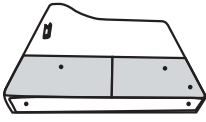
Returns are accepted only for items in their ***original, unopened condition***.



Before installation, please check that the parts are all included !

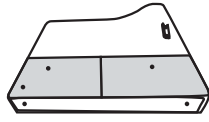
Carton A

Materials ▶ Tips: Left and right directions are determined when seated on the sofa.



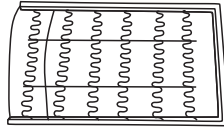
Left armrest

L*1



Right armrest

R*1



Iron seat frame

A*2



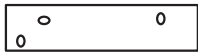
Left backrest

B*1



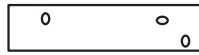
Right backrest

C*1



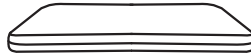
Left front panel

D*1



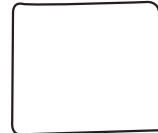
Right front panel

E*1



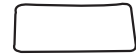
Seat cushion

F*1



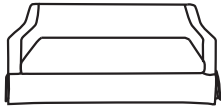
Backrest

G*3



Armrest pillow

H*2



Removable slipcover

N*1



Cushion cover

O*1



Feet

I*4



Iron feet

J*2



Four plastic gaskets

K*4



Connecting angel iron

P*2



Fixing iron sheet

M*1



M8*50mm

①*4



M6X35mm

②*8



M6X16mm

③*10



④*8



⑤*4

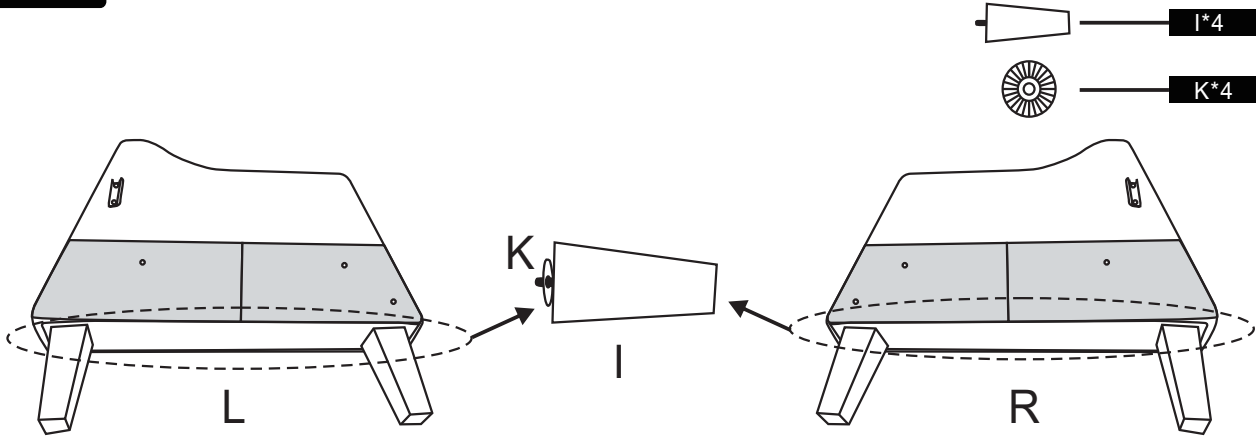


⑥*1

Hardware Box

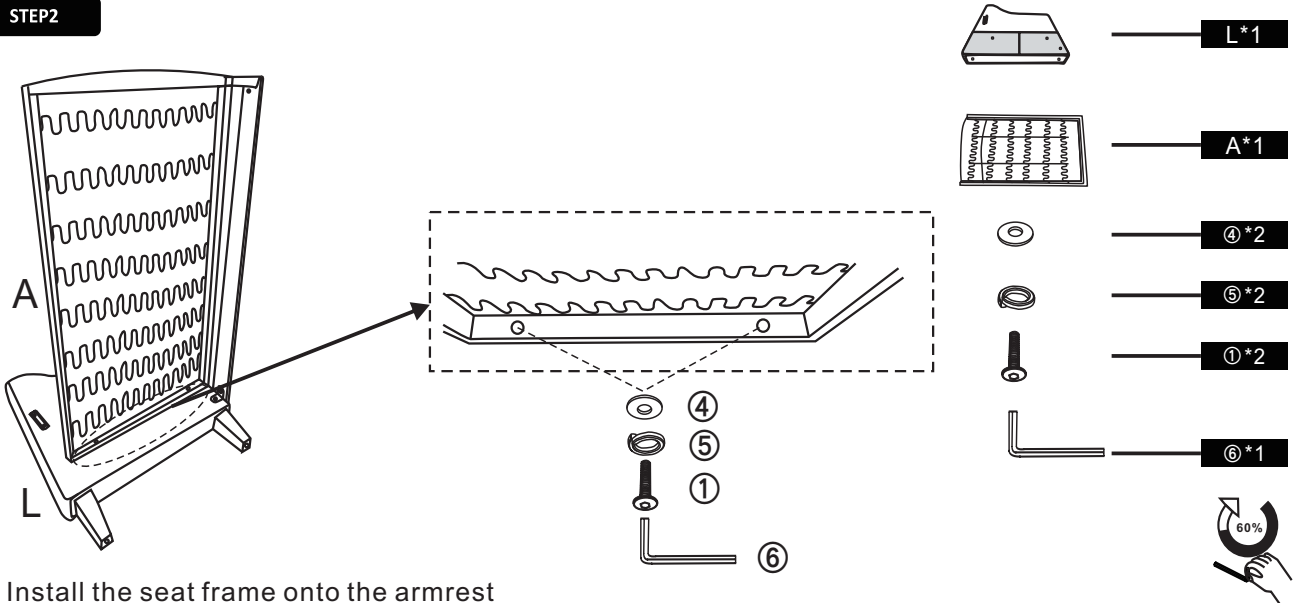
Installation Steps

STEP1



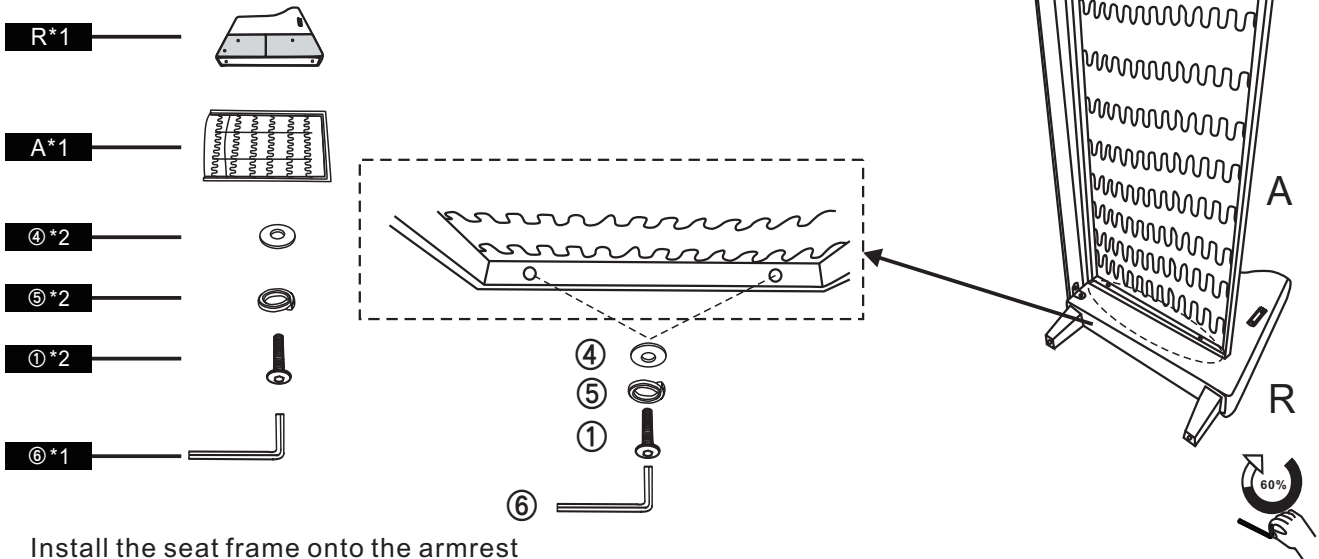
Install the feet at the bottom of the armrest

STEP2



Install the seat frame onto the armrest

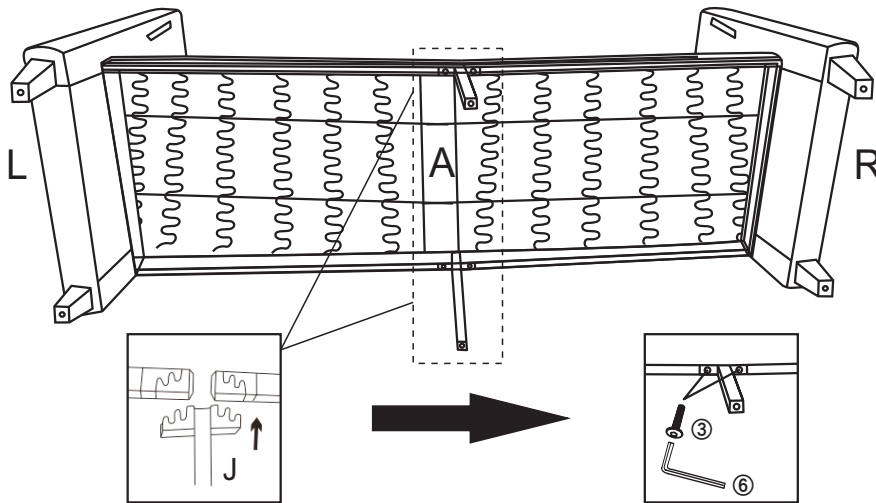
STEP3



Install the seat frame onto the armrest

Installation Steps

STEP4

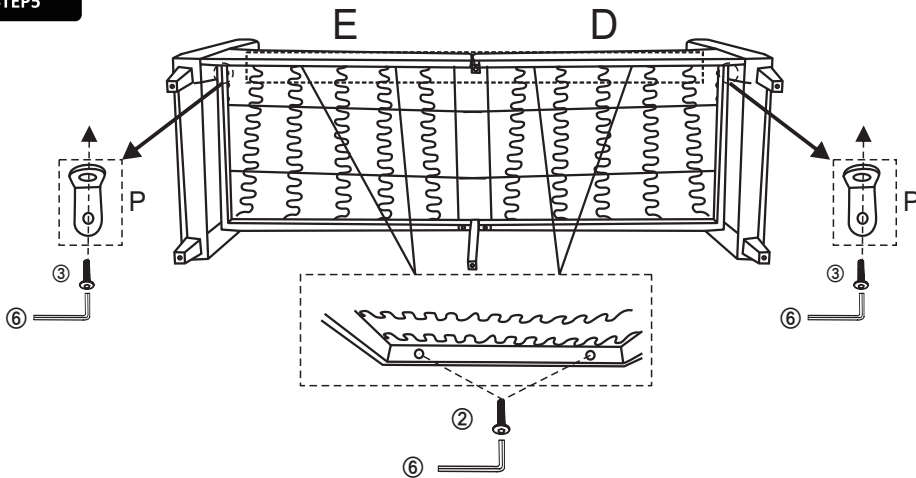


- J*2
- ③*4
- ⑥*1



Installing the middle iron feet

STEP5

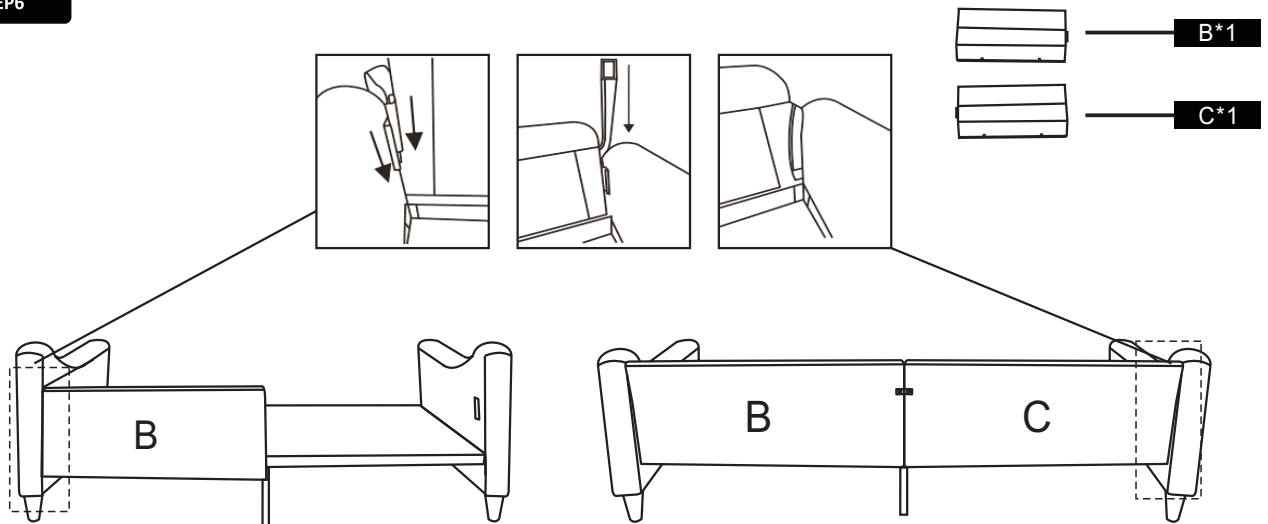


- P*2
- ③*4
- ②*4
- ⑥*1
- D*1
- E*1



Install the front panel on the front of the frame, and fix the front guard and the armrest together by connecting with angel iron.

STEP6

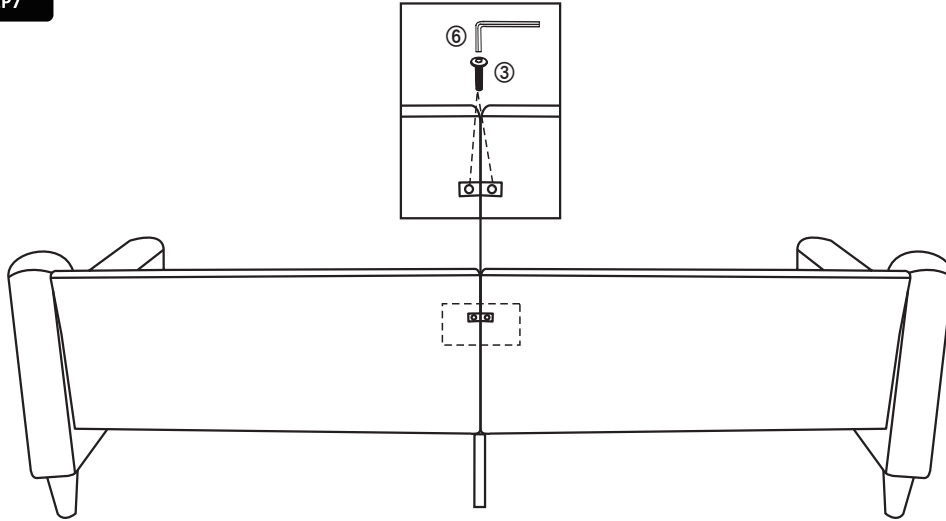


- B*1
- C*1

Installing the backrest

Installation Steps

STEP7

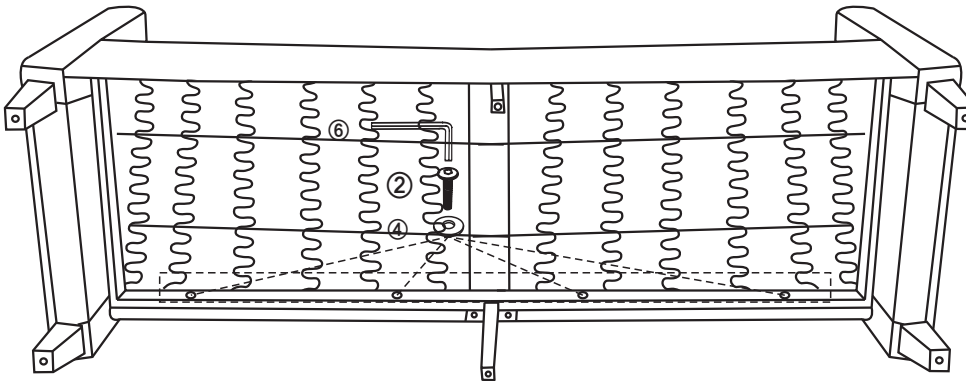


- M*1
- ③*2
- ⑥*1



Secure the connection of the backrest with screws and iron sheet(M).

STEP8

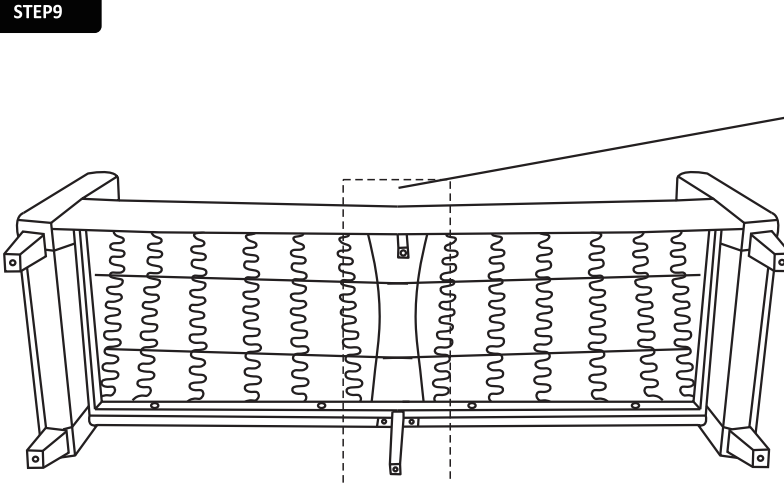


- ④*4
- ②*4
- ⑥*1



Connect the seat frame and the back frame together using screws.

STEP9

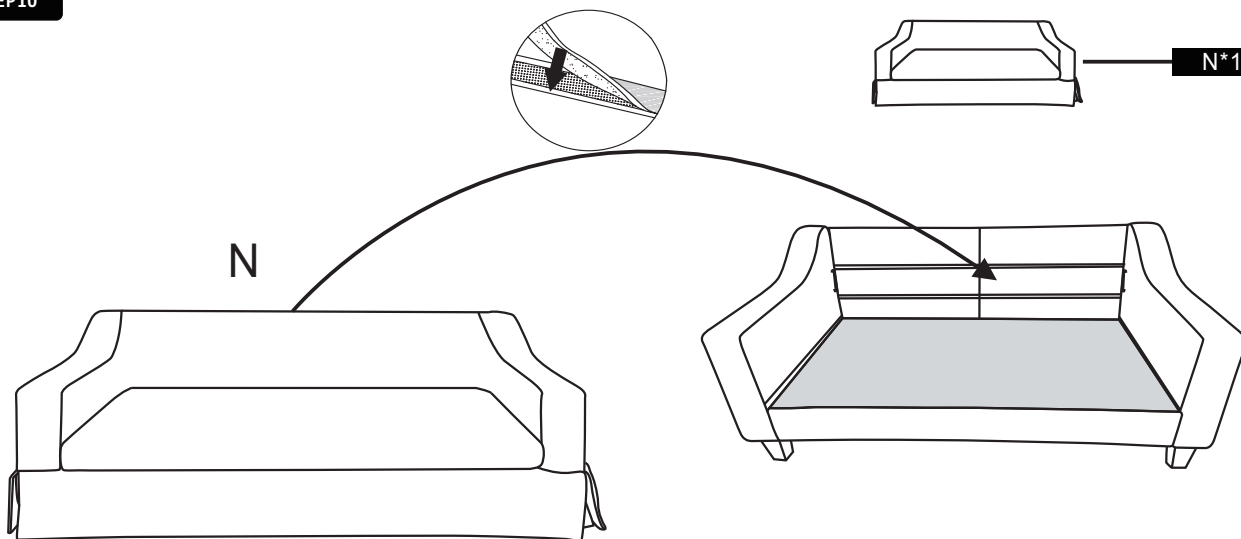


Rotate the curved metal rod to a 90-degree angle with the base.

Put the wire under the seat frame in place.

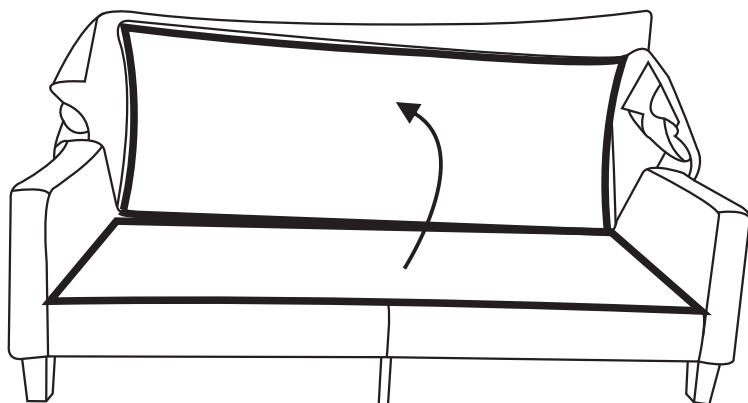
Installation Steps

STEP10

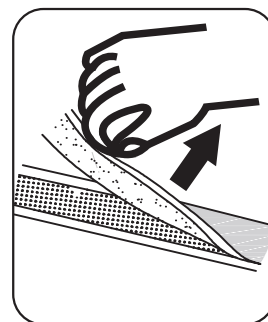


Now put the cloth cover on the main position of the sofa

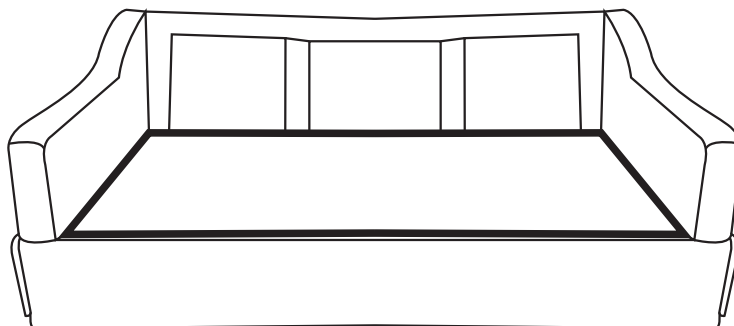
STEP11



The parts of the line where the lines are thickened correspond to each other, pasted with Velcro



Tear off the cloth strip first for the part where the line is thick

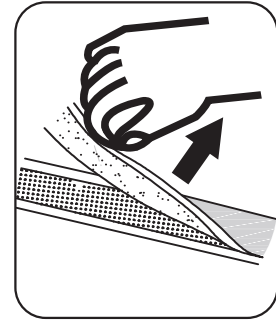
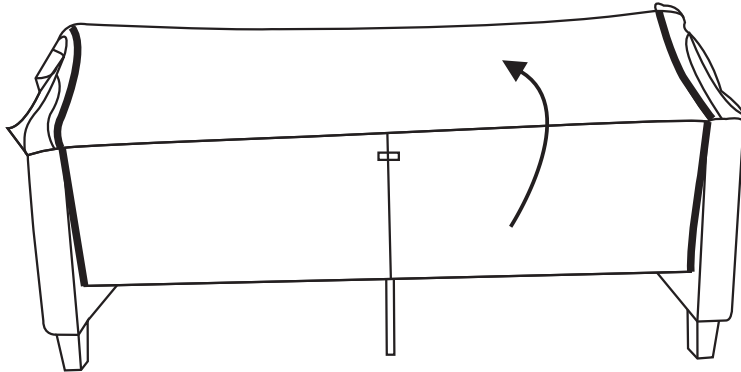


Cover back the sofa cover, the effect is as shown in the picture, and press the thickened part of the line to make the Velcro stick tighter.

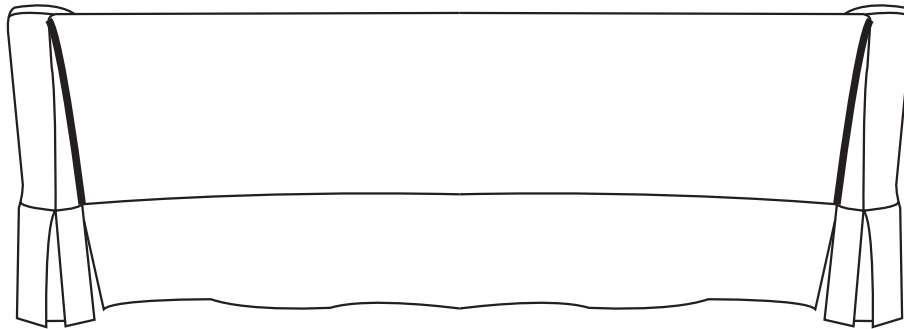
Open the cloth cover on the sofa, tear off the strip, and glue the Velcro in the corresponding position

Installation Steps

STEP12



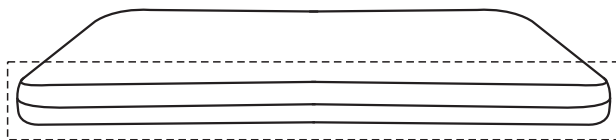
Tear off the cloth strip first for the part where the line is thick



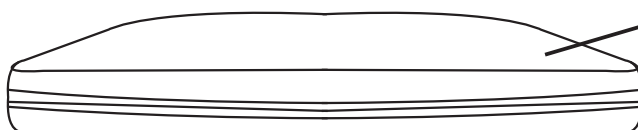
Cover the cloth cover on the backrest, the effect is as shown in the picture, and the thickened part of the line is pressed hard to make the Velcro stick tighter.

Open the cloth cover behind the back of the sofa, tear off the cloth strip, and glue the Velcro in the corresponding position

STEP13



The one with a zipper is the rear

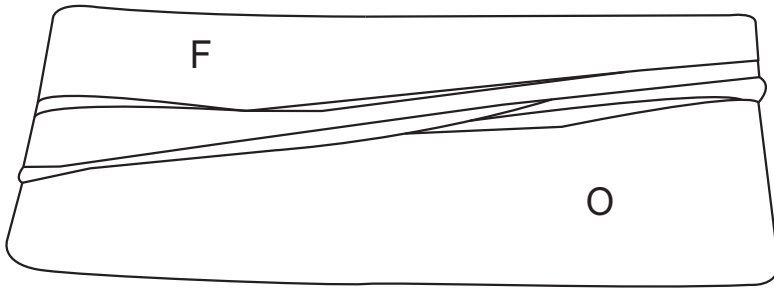


The zippered side of the seat cushion faces the backrest.

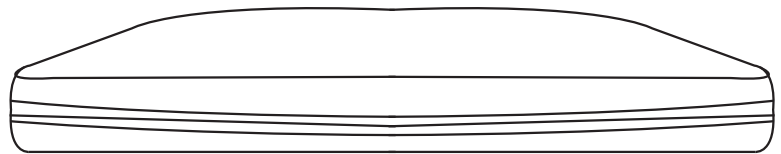
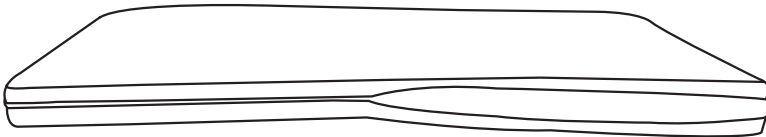
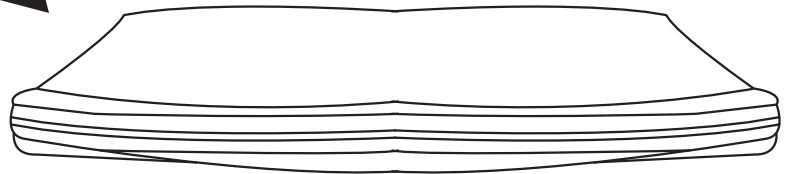
Adjust the direction of the seat cushion.

Installation Steps

STEP14



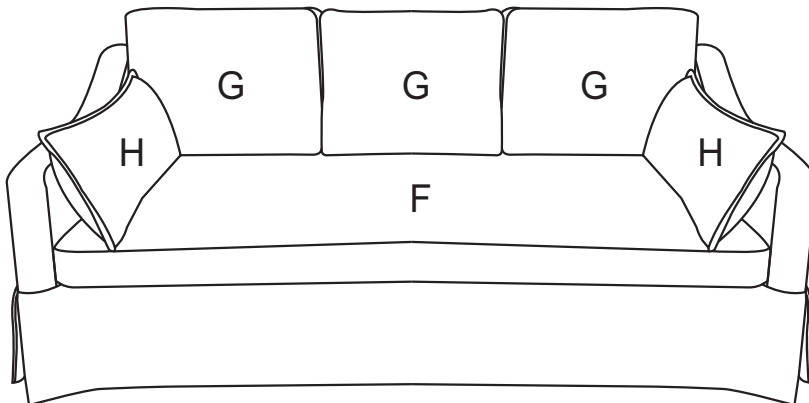
Keep the zipper of the liner and the zipper of the sofa cover in the same direction.



Put the cushion cover over the cushion

STEP15

1. Vacuum packaging may cause wrinkles for shipping.
2. Wrinkles can be corrected with a handheld steamer.
3. Please allow 48 hours for the product to return to its original size.



The seat bag has a zipper and is placed inside

Place each of the soft cushions on the sofa

Frequently Asked Questions

We understand that receiving damaged or defective products can be disappointing, and we're here to assist you every step of the way. Here's how to address common concerns and initiate a damage claim:

1.What should I do if my shipment is damaged or products received are defective?

We're genuinely sorry to hear about any inconvenience caused. Please reach out to us promptly, and our team will prioritize resolving the matter swiftly and effectively, please retain the original box in case a return is required.

2.Can I return the product if I'm not satisfied?

While we uphold stringent quality standards and collaborate with experienced manufacturers, we acknowledge that dissatisfaction may arise. If you're still unsatisfied, of receiving the product. Simply message us with your reasons for return, and we'll facilitate the process.