



NEW 5CCT LIGHT KIT

5CCT: 2700K - 3000K - 4000K - 5000K - 6500K

132 POSSIBLE VARIATIONS

Irene-3HLK

Natural Craftsmanship Meets Modern Design

The Irene-3HLK three solid wood blades—available in matte black, matte white, walnut, or barn wood tones—are expertly joined, creating a refined yet inviting presence. The sleek cylindrical motor housing enhances its clean silhouette, making it a seamless addition to both contemporary and classic spaces. Now featuring a 5CCT color-changing light kit, the Irene-3HLK allows you to customize brightness and hue effortlessly—all fully dimmable and adjustable from the convenience of a handheld remote. Built from cast aluminum and heavy stamped steel, it is as durable as it is stylish, promising lasting beauty and performance.



NEW 5CCT LIGHT KIT



Shown: Polished Chrome Finish, with 60" Matte Black Blades



Brushed Nickel Finish, with 42" Barn Wood Tone Blades



Barn Wood Tone Finish, with 52" Matte White Blades



Light Maple Tone Finish, with 60" Matte Black Blades



Brushed Bronze Finish, with 60" Matte White Blades



Walnut Tone Finish, with 50" Walnut Tone Blades



Brushed Pewter Finish, with 60" Matte Black Blades

PRODUCT FEATURES

- 5CCT Color Changing Light Kit
- DC Motor
- Silent Motor
- Handheld Remote
- Wall Control
- Dimmable Light Kit
- Damp Location

FAN FEATURES

- Blades (3)**
- 15° Pitch
- CNC Cut Solid Wood
- Overall Drop** 12in / 30cm
- Fan Weight** 12 lbs
- Fan Diameter** inches: 42, 52, 60 centimeters: 107, 132, 152, or 183
- Voltage** 110 or 220

MOTOR FEATURES

- Motor Type** DC
- Ambience** Silent
- Safety Certification** ETL / CETL
- Warranty** Limited Lifetime

STANDARD EQUIPMENT

- Handheld Remote & Wireless Wall Control**
 - 6 Speed
 - Motor Off
 - Reverse
 - Light on/off
 - 5 Temperature Color Changes
 - Dimmable Control
- *For more information see accessory page. 132*

DOE MOTOR EFFICIENCY DATA

- RPM (Low/High)**
- 42in** - 50 / 229
- 52in** - 51 / 201
- 60in** - 51 / 153
- CFM (Low/High)**
- 42in** - 701 / 5084
- 52in** - 1057 / 5239
- 60in** - 1783 / 5960

- Watts (High)**
- 42in** - 17.61
- 52in** - 32.38
- 60in** - 32.08

- CFM/Watt (High)**
- 42in** - 271
- 52in** - 170
- 60in** - 199

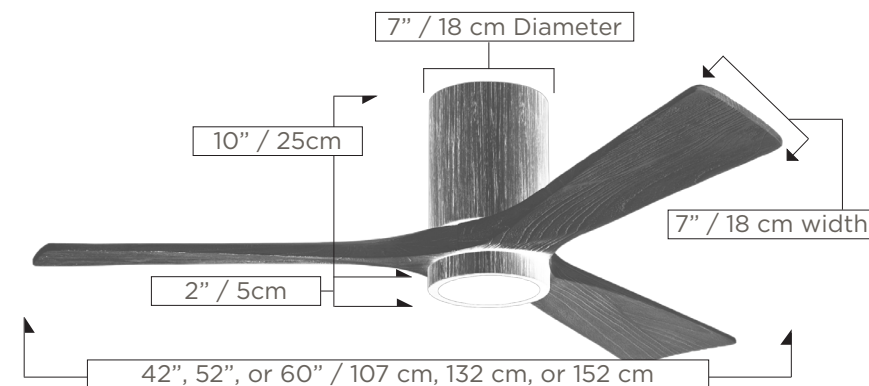
LIGHT KIT PHOTOMETRICS

- Lamping (Replaceable)** Integrated LED
- CRI 90 | Watts 22 | Hours 30,000**
- Dimmable**
- Light Kit Longevity** if used 6 Hours/Day: 13.7 Years

DELIVERED LUMENS

- 2700K** 1063
- 3000K** 1088
- 4000K** 1234
- 5000K** 1221
- 6500K** 1107

TECHNICAL SPECIFICATIONS



SKU BUILDER

FAN FINISHES

- Barn Wood Tone
- Barn Wood Tone
- Brushed Brass
- Matte Black
- Brushed Bronze
- Matte White
- Brushed Nickel
- Walnut Tone
- Brushed Pewter
- Gloss White
- Light Maple Tone
- Matte Black
- Polished Chrome
- Textured Bronze
- Walnut Tone