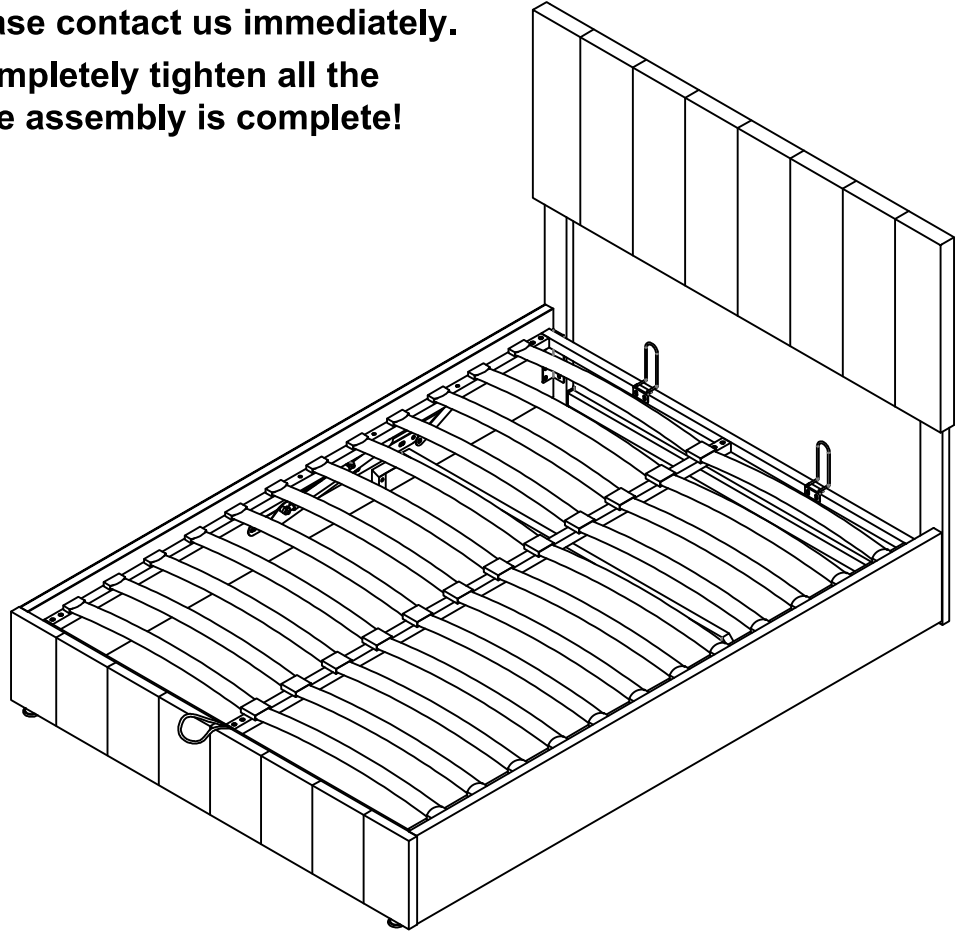


Assembly Instruction

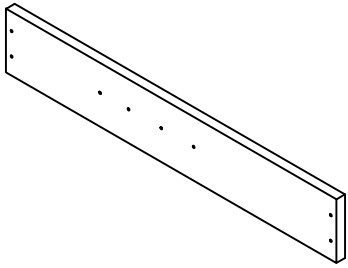
Please check that you have all the parts listed before you start assembling,if you do find that something is missing,do not continue assembly,please contact us immediately.

NOTE:Please do not completely tighten all the hardware until the entire assembly is complete!



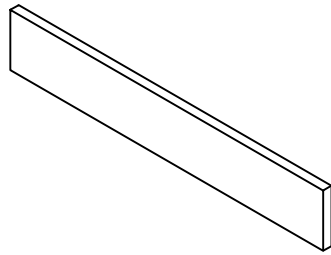
Part list

C1



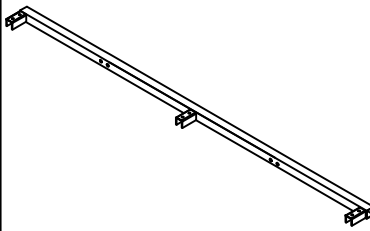
Facing customer
Side Rail (R)-1PC

C2



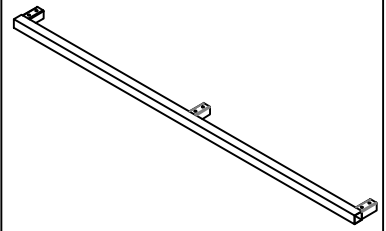
Facing customer
Side Rail (L)-1PC

F1



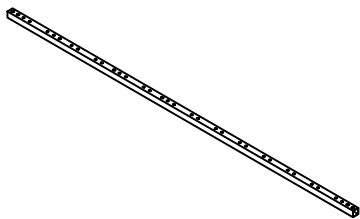
connect HB
Front Rail-1PC

F2



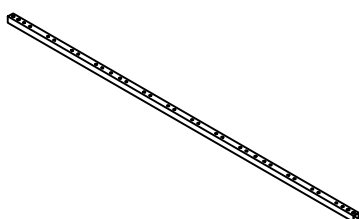
connect FB
Back Rail-1PC

G1



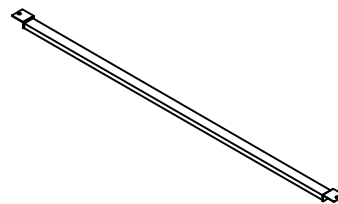
Side tube-2PCS

G2



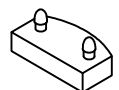
Middle Rail-1PC

Hb



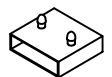
Bottom Rail-1PC

O



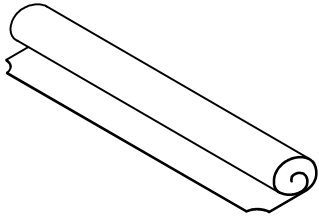
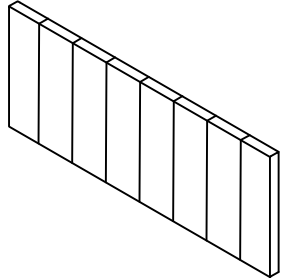
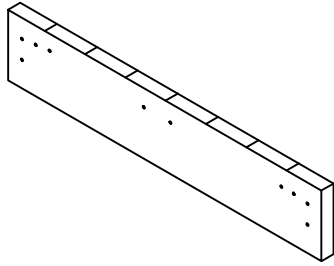
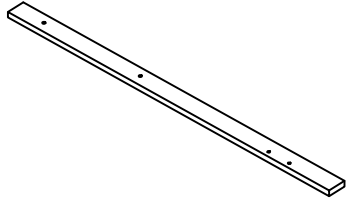
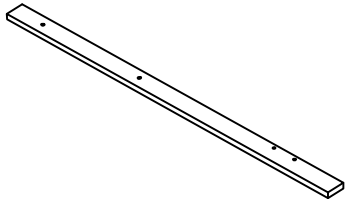
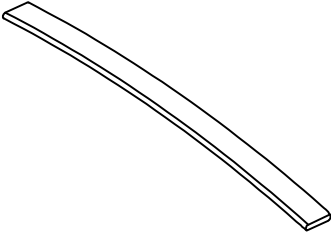
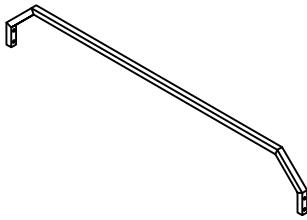
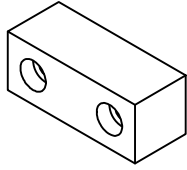
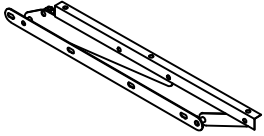
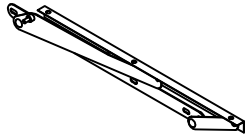
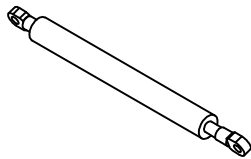
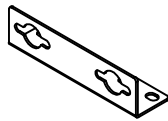
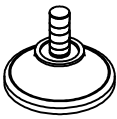
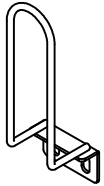

Plastic caps (Single)-24PCS

P



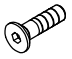




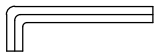
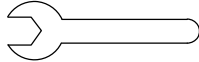


Plastic caps (Double)-12PCS



Part list

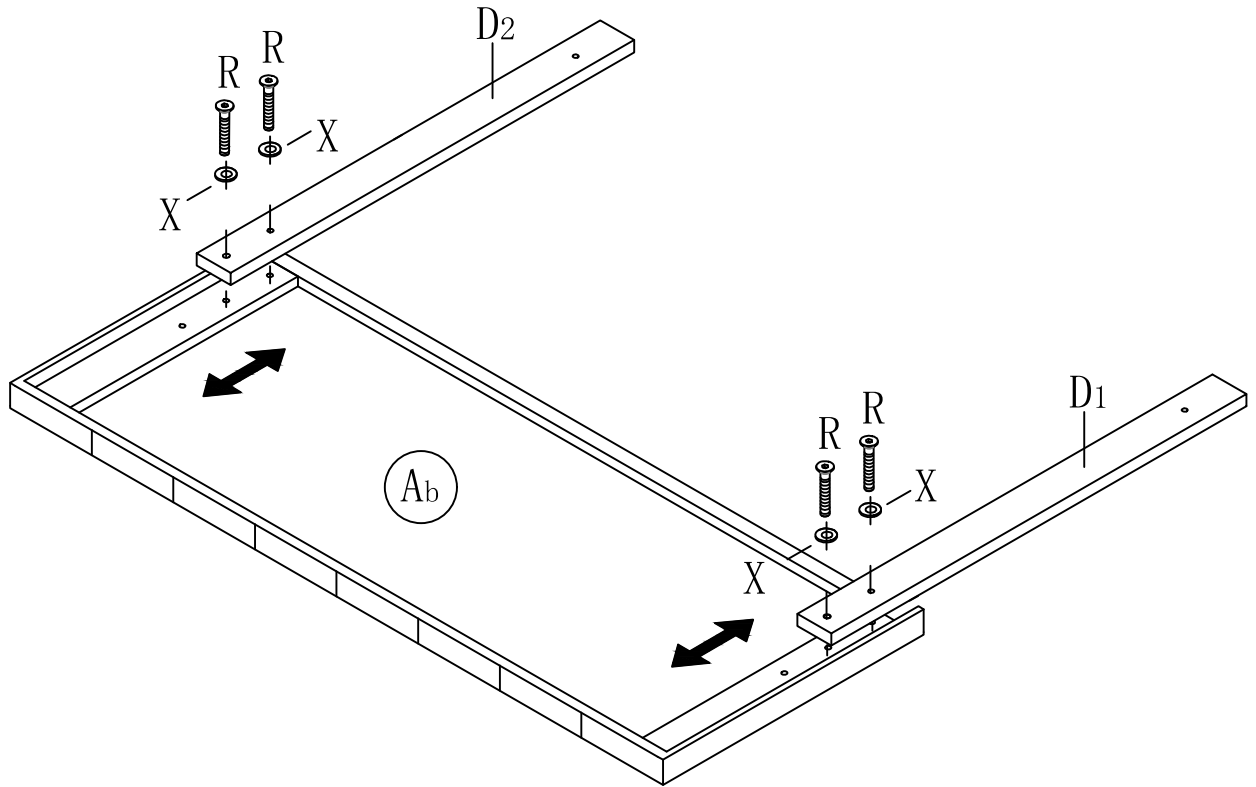
<p>Aa</p>  <p>Non-woven Fabric-1PC</p>	<p>Ab</p>  <p>Headboard-1PC</p>	<p>B</p>  <p>Footboard-1PC</p>	<p>D1</p>  <p>Leg Headboard (R)-1PC</p>
<p>D2</p>  <p>Leg Headboard (L)-1PC</p>	<p>E</p>  <p>Slat-24PCS</p>	<p>Ha</p>  <p>Bar Rail-1PC</p>	<p>I</p>  <p>Plastic Block-3PCS</p>
<p>J1</p>  <p>Hydraulic (L)-1PC</p>	<p>J2</p>  <p>Hydraulic (R)-1PC</p>	<p>K</p>  <p>Hydraulic Bar-2PCS</p>	<p>L</p>  <p>Indices "L"-4PCS</p>
<p>M</p>  <p>Legs-2PCS</p>	<p>N</p>  <p>Block Bar-2PCS</p>	<p>Q</p>  <p>Straps-1PC</p>	

Hardware list

<p>R</p>  <p>M8*50mm 10PCS</p>	<p>S</p>  <p>M8*45mm 14PCS</p>	<p>T</p>  <p>M8*25mm 26PCS</p>	<p>U</p>  <p>M8*18mm 12PCS</p>	<p>V</p>  <p>M8 14PCS</p>
<p>W</p>  <p>∅17*∅8.5 6PCS</p>	<p>X</p>  <p>∅22*∅8.5 4PCS</p>	<p>Y</p>  <p>M8 1PC</p>	<p>Z</p>  <p>M8 1PC</p>	


step1

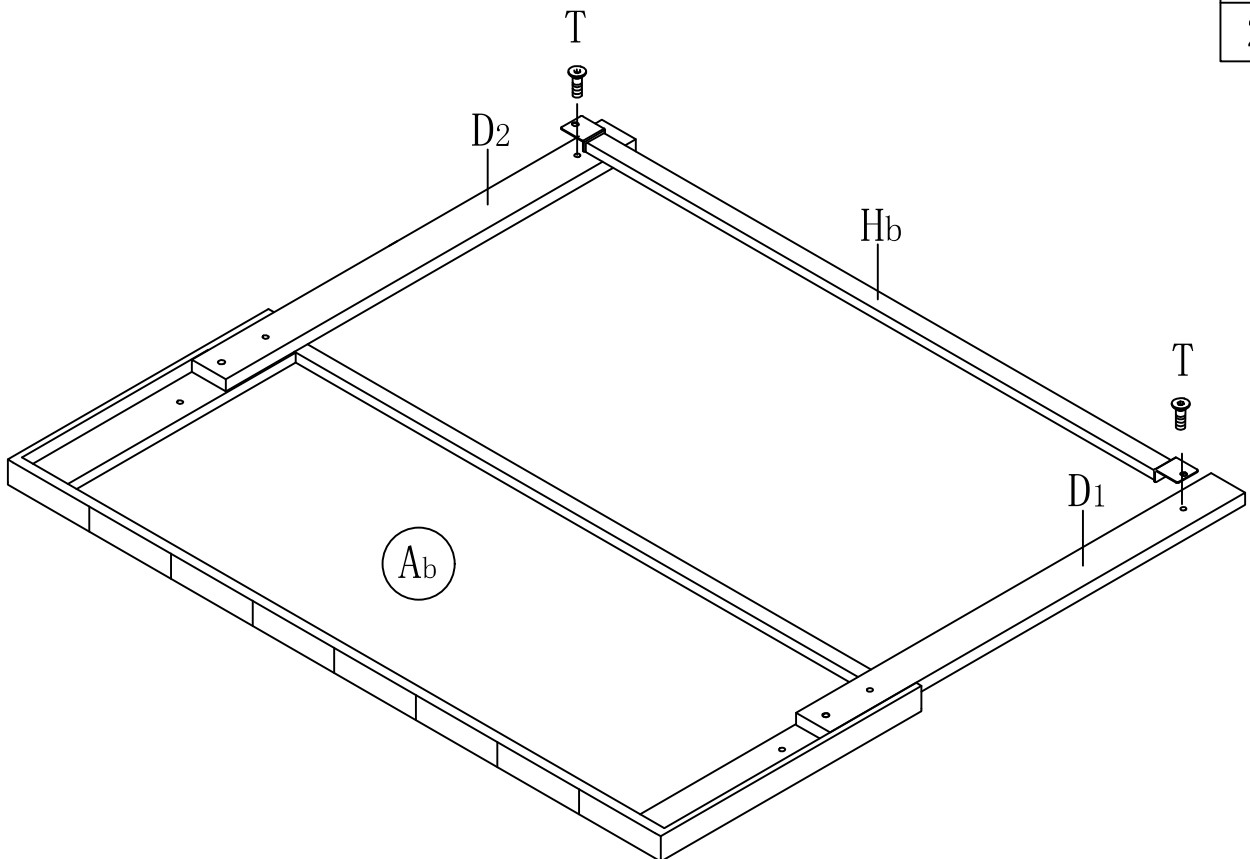
R	X
	
4PCS	4PCS



Headboard height is adjustable

step2

T

2PCS

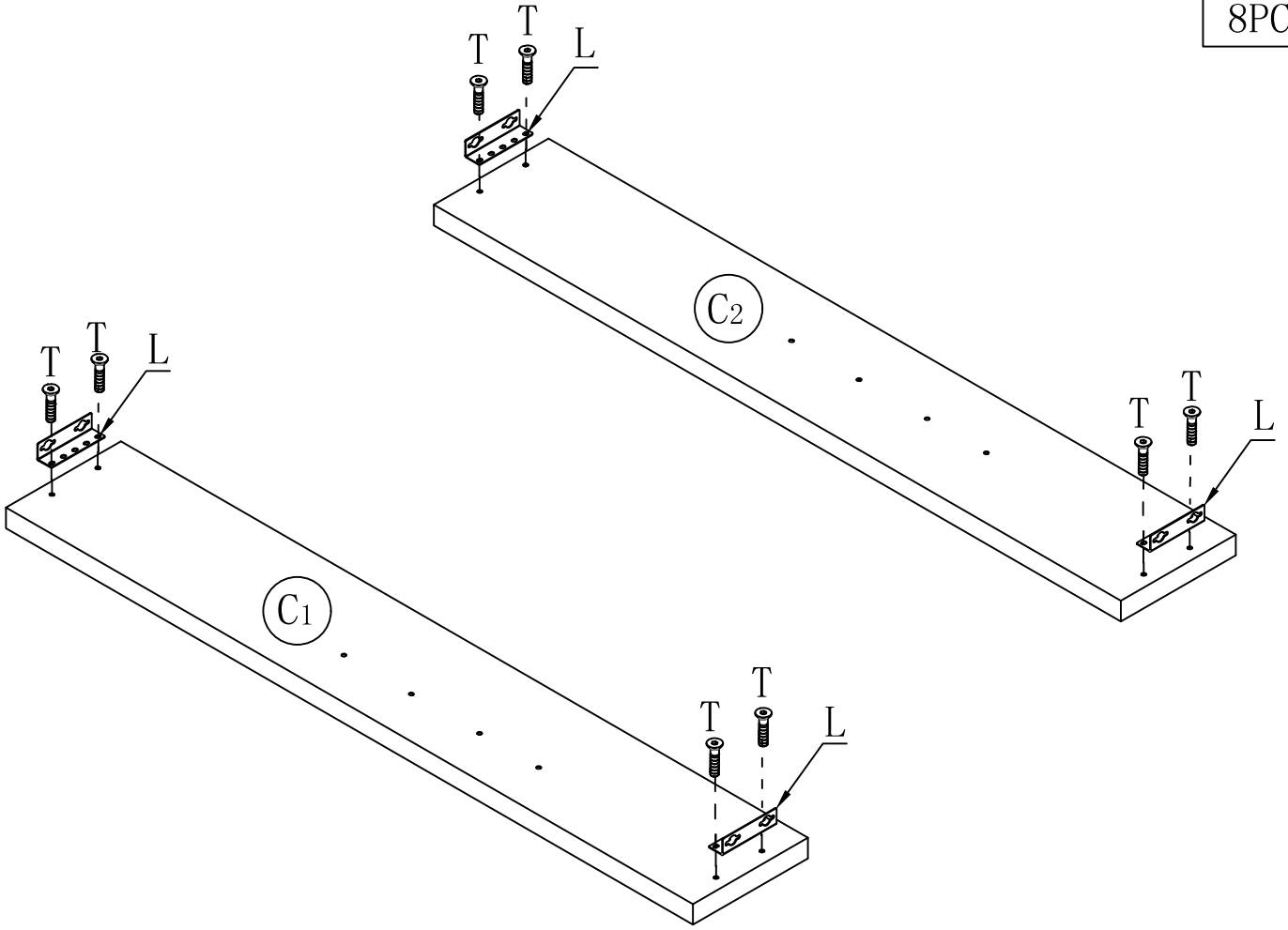


step3

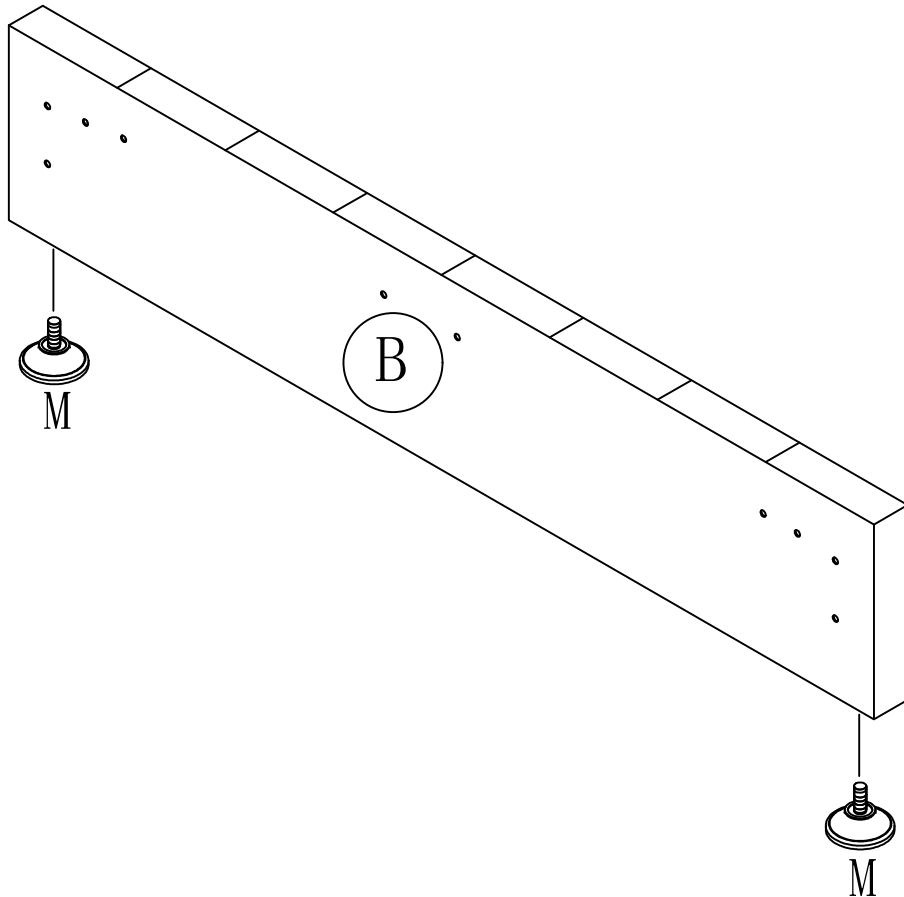
T



8PCS



step4

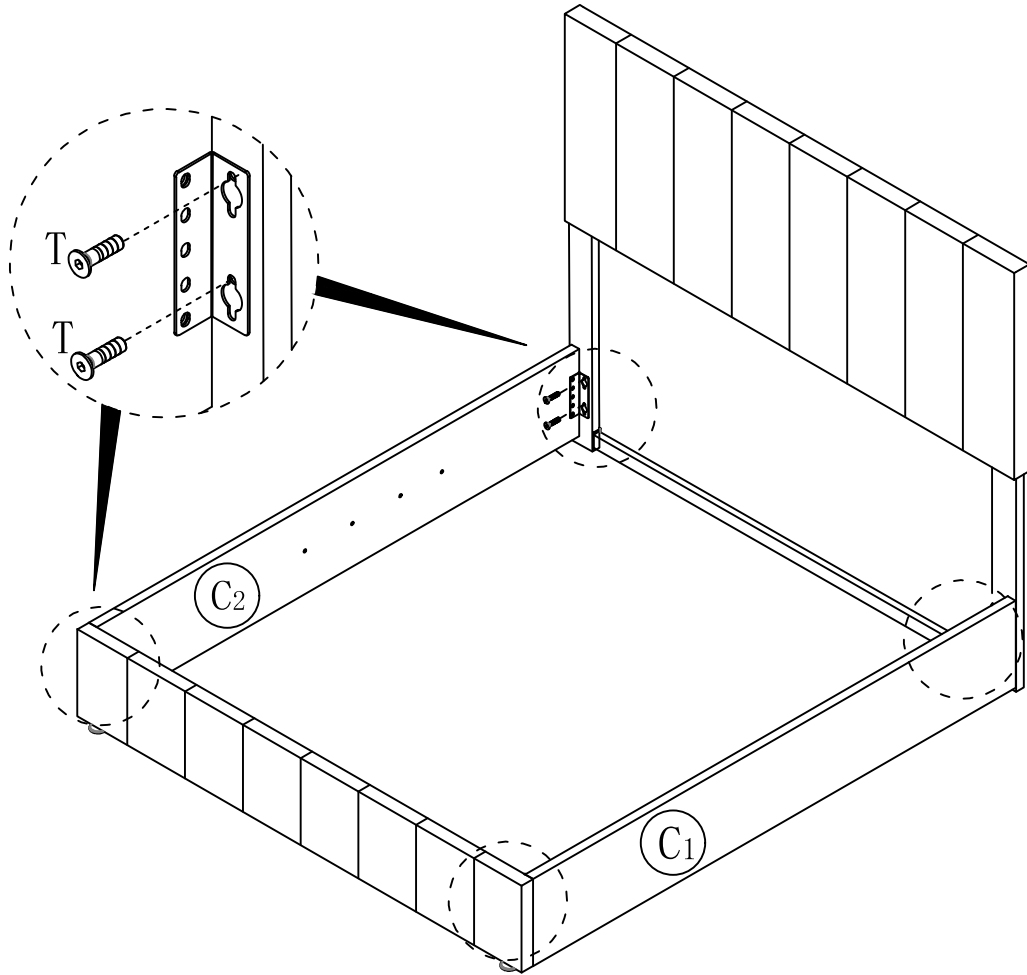


step5

T



8PCS



step6

R

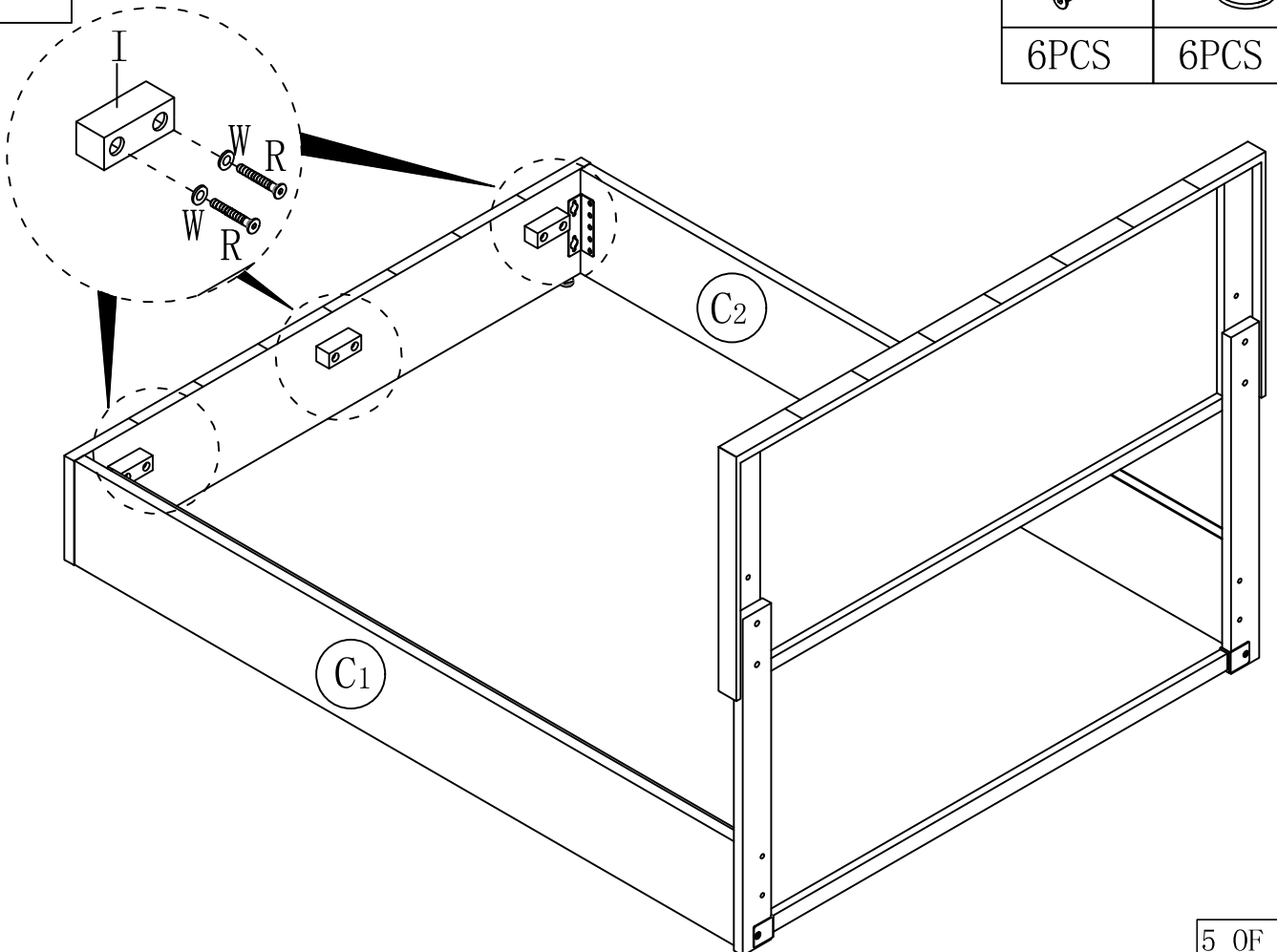


6PCS

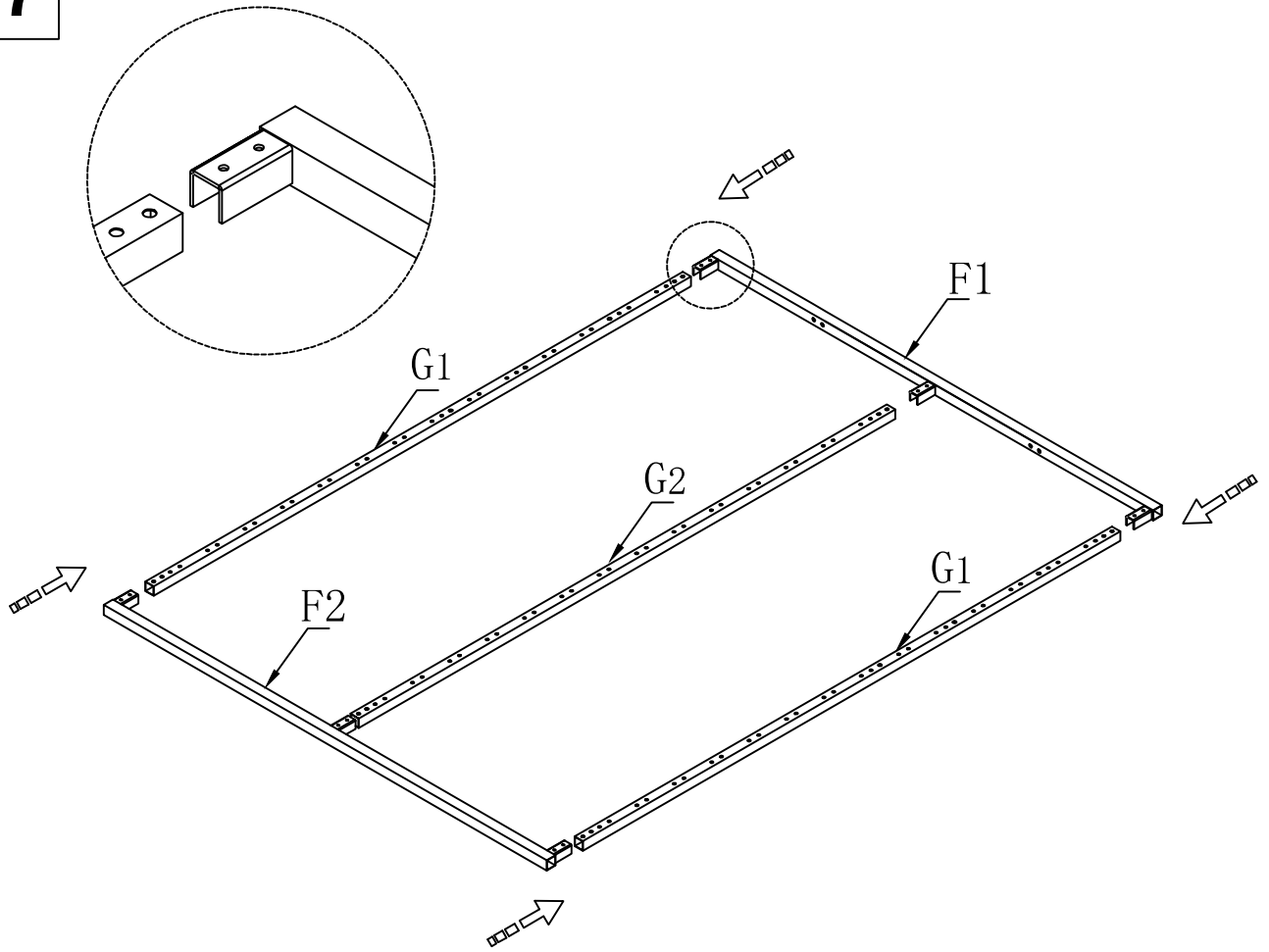
W



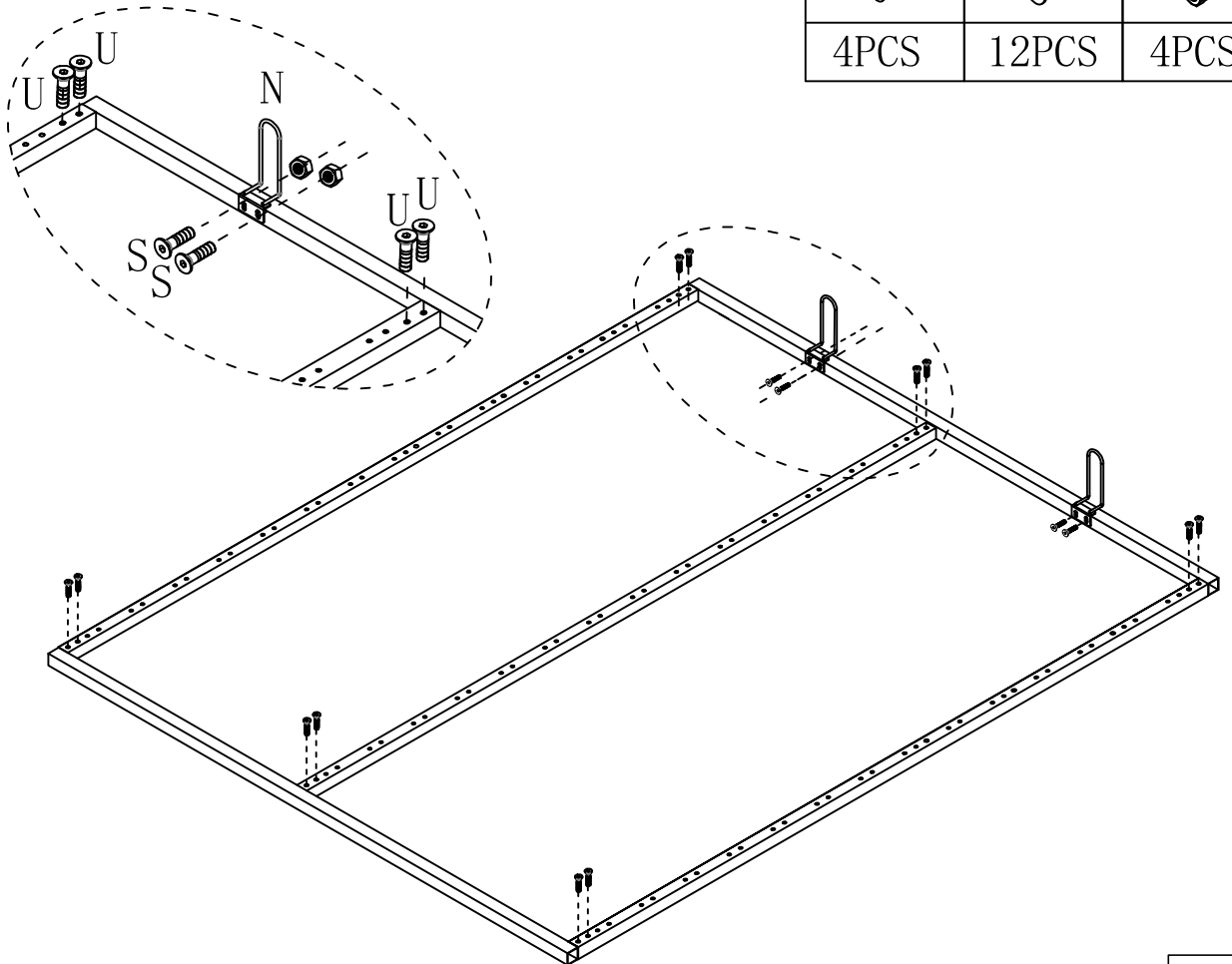
6PCS



step7



step8

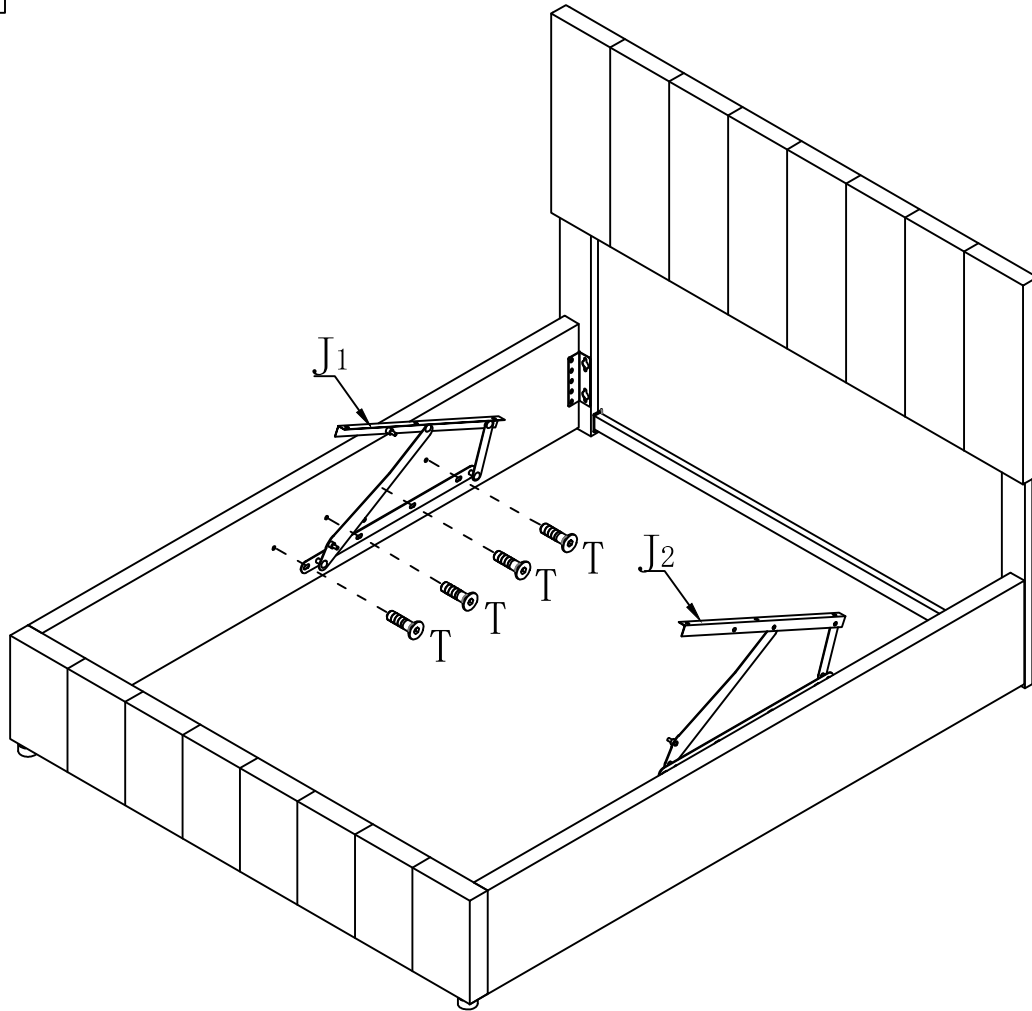


step9

T



8PCS

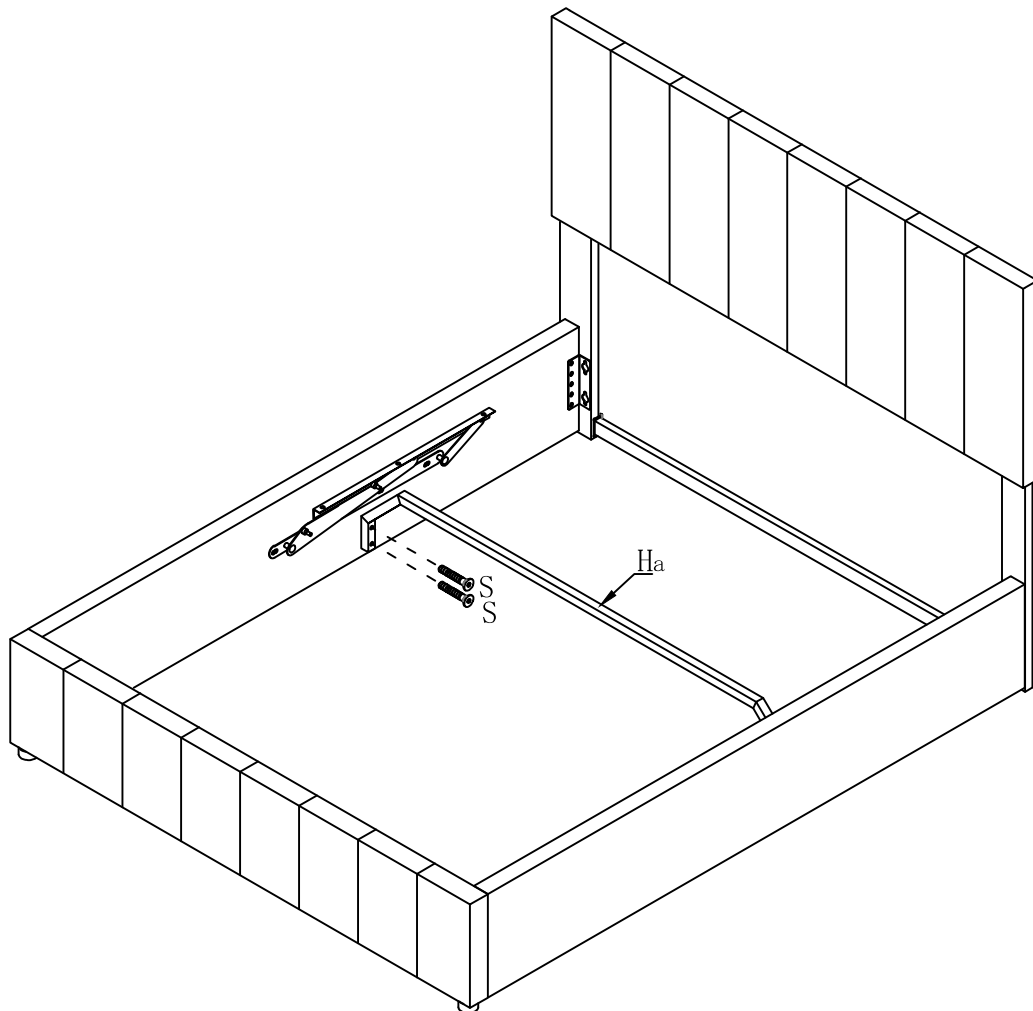


step10



S

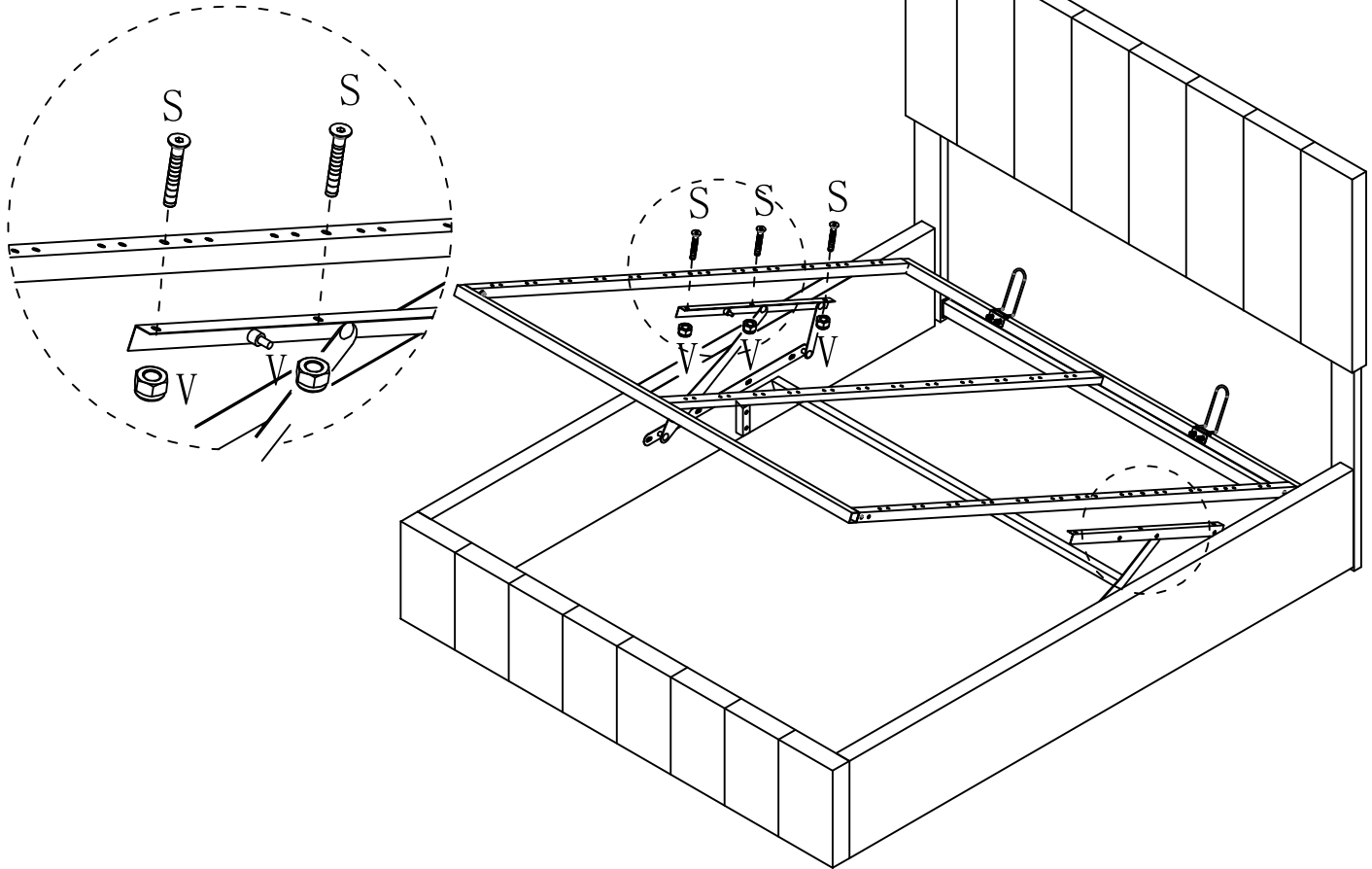


4PCS




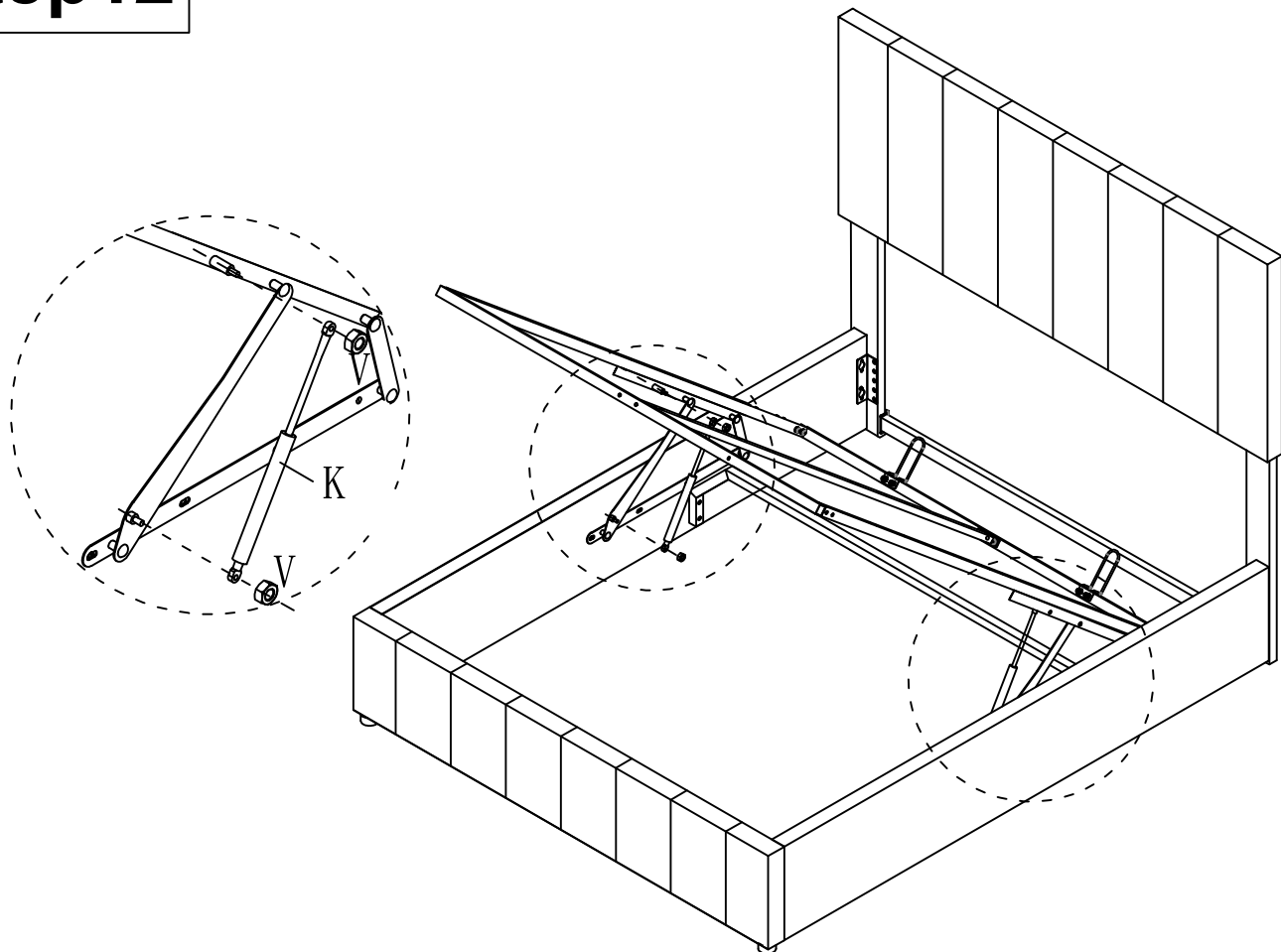
step11

S	V
	
6PCS	6PCS

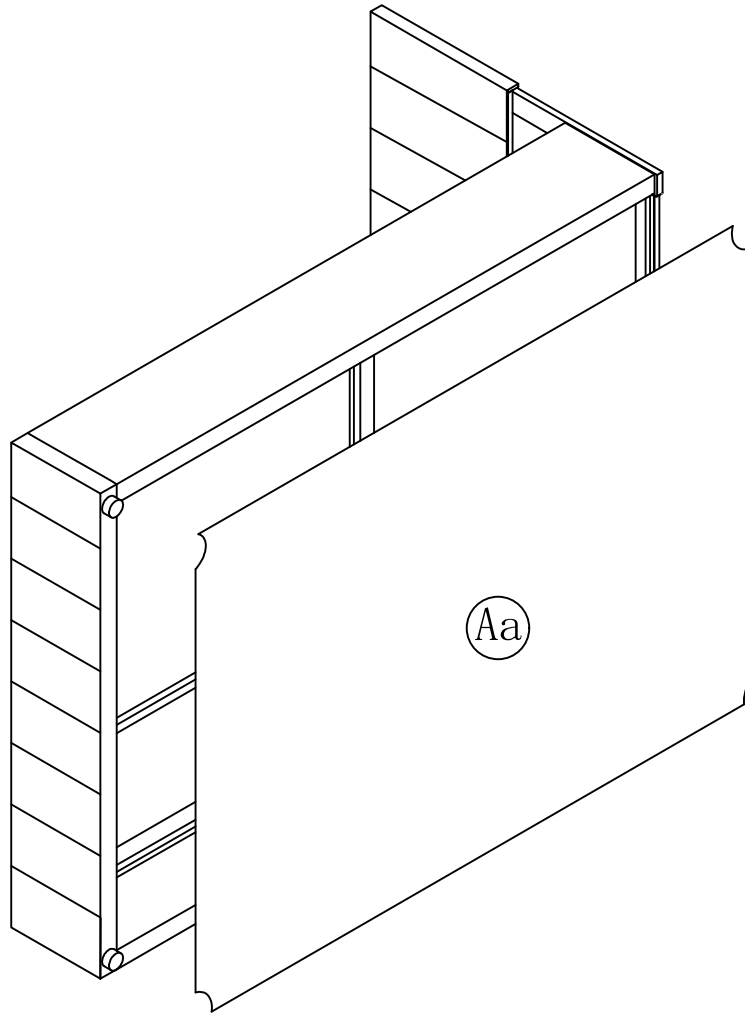


step12

V

4PCS



step13



step14

