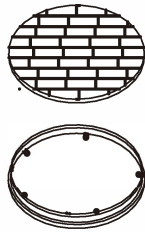

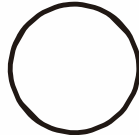







ASSEMBLY INSTRUCTIONS

TABLE PARTS & HARDWARE LIST

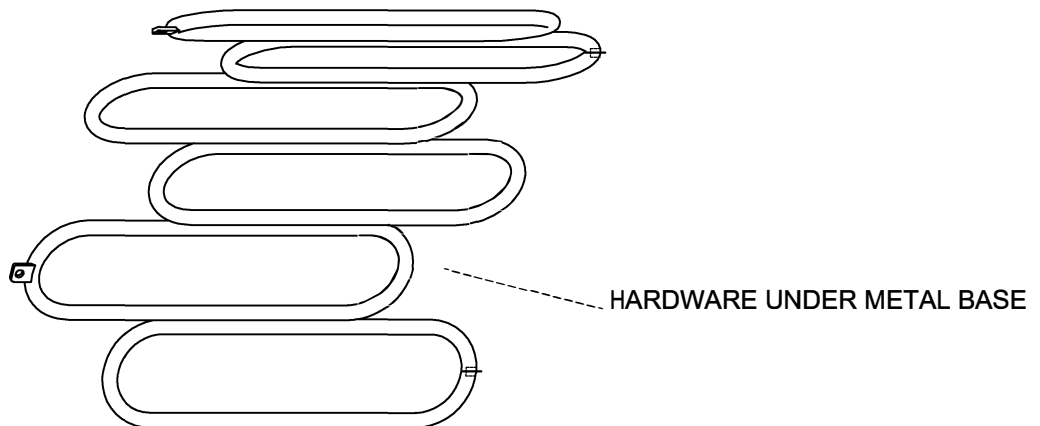
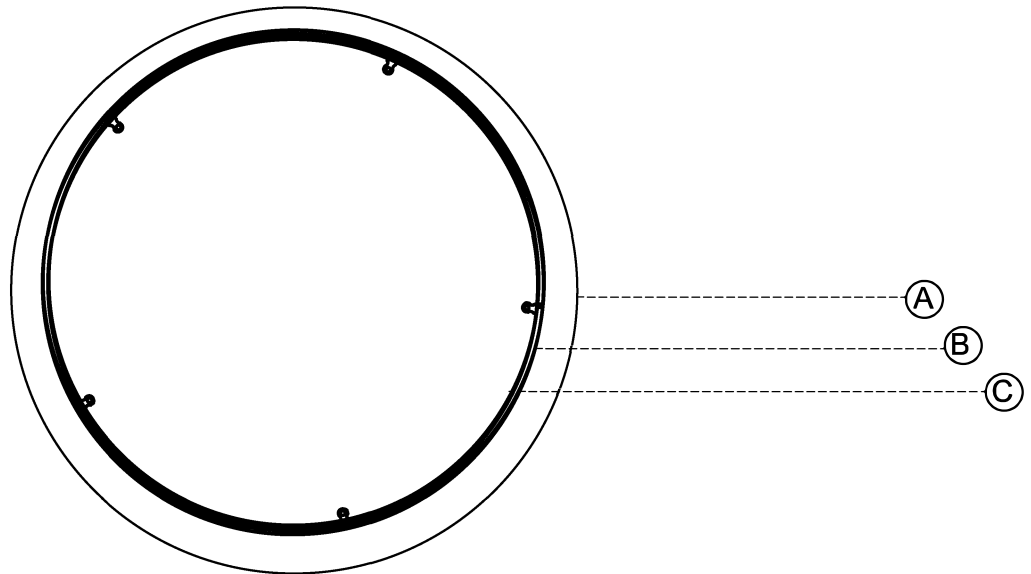
 <p>(A)</p> <p>TABLE TOP x 1</p>	 <p>(B)</p> <p>LEGS x5</p>	 <p>(C)</p> <p>BASE ROUND METAL x 1</p>
 <p>(E1)</p> <p>ALLEN BOLT x 10 (Ø1/4" *15 MM)</p>	 <p>(E2)</p> <p>ALLEN BOLT x 10 (Ø1/4" *40 MM)</p>	
 <p>(E3)</p> <p>SPRING WASHER x 20 (Ø1/4")</p>	 <p>(E4)</p> <p>FLAT WASHER x 20 (Ø1/4")</p>	 <p>(E5)</p> <p>ALLEN KEY x 1 (M4)</p>

NOTES :

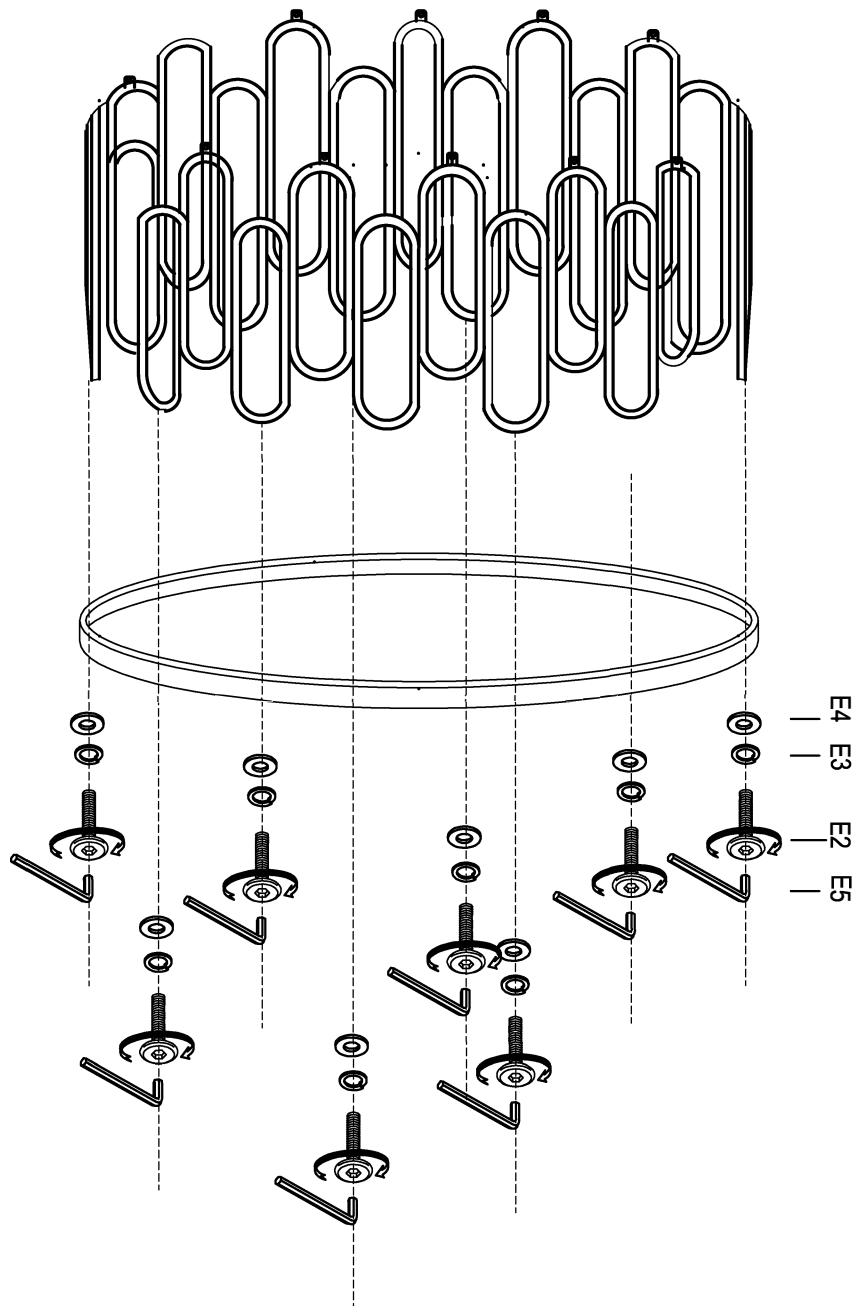
1. CHECK CAREFULLY FOR SMALL PARTS WHICH MAY COME LOOSE DURING SHIPMENT.
2. REMOVE ALL COMPONENTS FROM THE PACK AND PLACE ON A CLEAN, SOFT SURFACE TO ASSEMBLE.
3. UNITS SHOULD BE ASSEMBLED BY TWO OR MORE PEOPLE.
4. DO NOT OVER - TIGHTEN SCREW/ BOLTS UNTIL ASSEMBLY IS COMPLETED.
5. WITH USE, SCREW/ BOLT MAY BE COME LOOSE & MUST BE TIGHTENED PERIODICALLY.



PARTS & HARDWARE ARE STORE INSIDE THE BOX AS BELOW: —



STEP 1 (x1)



STEP 2 (x1)

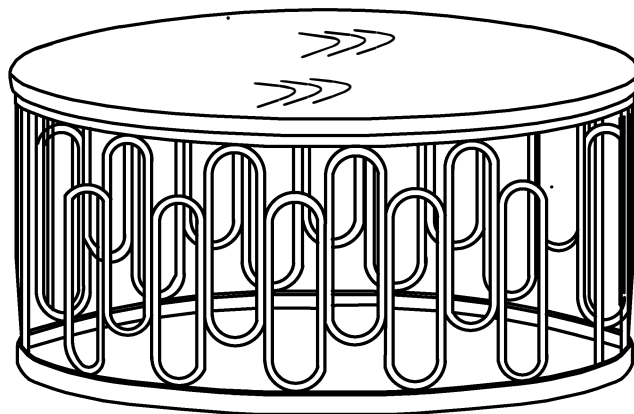
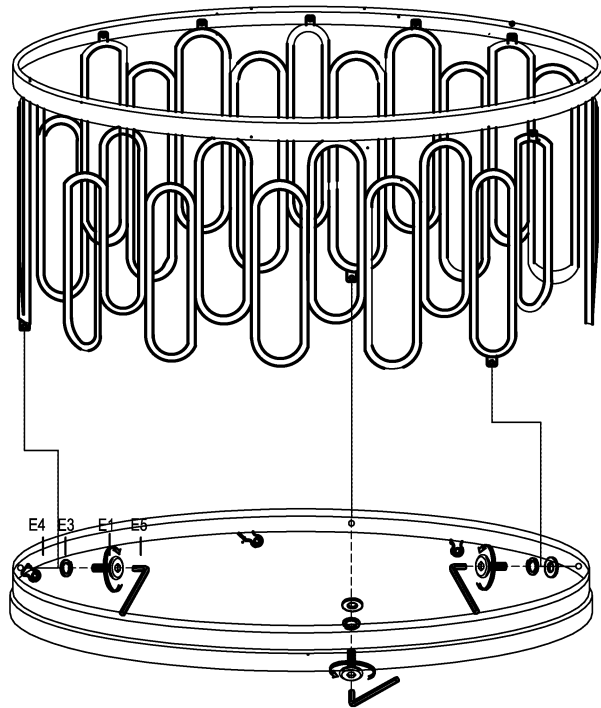


TABLE ASSEMBLY COMPLETED