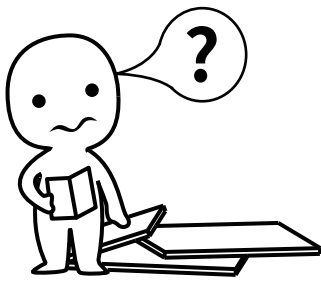


INSTALLATION

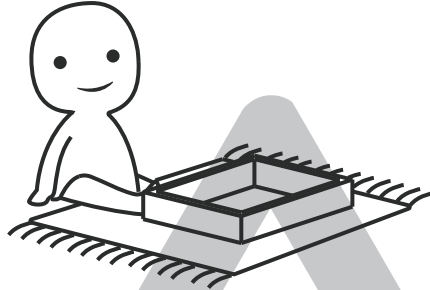
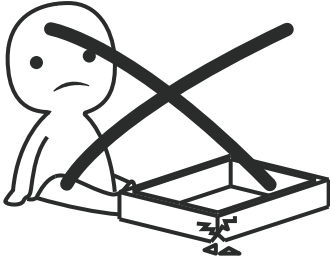
Product Manual

Version: 210088-08-24A-AA



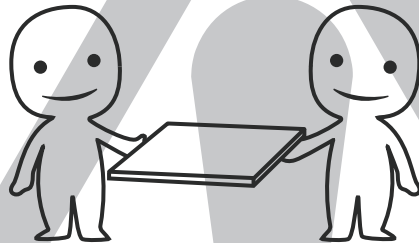
IMPORTANT INFORMATION!

please read the entire manual before starting to assemble and/or using this product. follow the manual thoroughly and keep it for further reference.



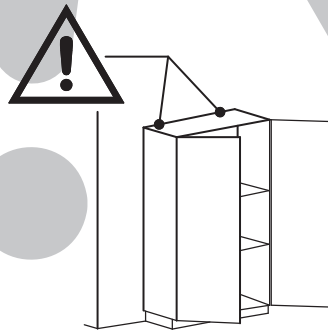
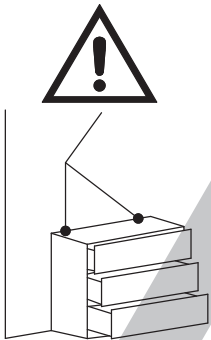
AVOID SCRATCHES!

In order to avoid scratching this furniture should be assembled on a soft layer- could be a rug.



IMPROVE EFFICIENCY !

Try to find a partner to install with you, which can speed up the installation efficiency and shorten the time.



ANTI-TOPPLE WARNING !

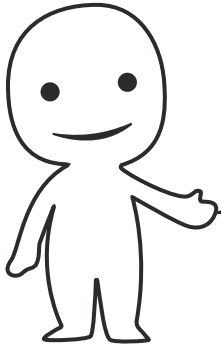
Overturned furniture can cause serious or fatal crush injuries. To prevent tipping over, be sure to use the wall attachment, if not included with this product. Please purchase the wall attachment that fit your wall. If unsure, seek professional advice. Please read and follow each step of the instructions carefully.

IMPORTANT !

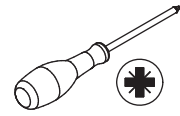
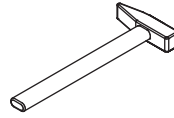
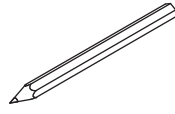
It is important that any product which is assembled using any kind of screw is re-tightened 2 weeks after assembly, and once every 3 months - in order to assure stability through-out the lifespan of the product.

For regular maintenance and cleaning of the product, for the frame, please use a rag dipped in neutral detergent to fully wipe it, and then dry it with a clean rag. For glass materials, wipe with a rag dampened with water glass cleaner, and then dry with a dry rag.

Do not use an electric screwdriver, and do not use too much force when installing, because the board is easy to break.



Please prepare the following tools



When installing, please carefully confirm whether each screw corresponds to the manual, accessories with similar shapes can be distinguished by size

A x 20



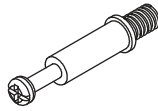
CRD3512A

B x 18



CRC0540A

C x 86



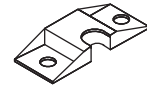
CRA0635A

D x 86

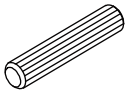


CRB1595A

E x 1

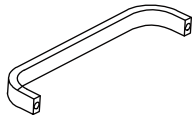


F x 20



CRF0630A

G x 2

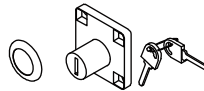


H x 4



Ø 4 x 18 mm

I x 1

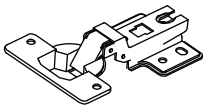


J x 4



CRD3520A

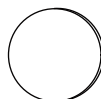
K x 2



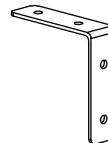
L x 1



M x 20



N x 1

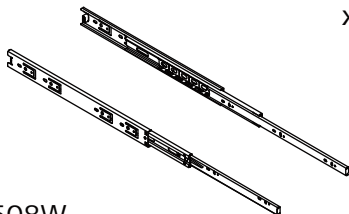


O x 14



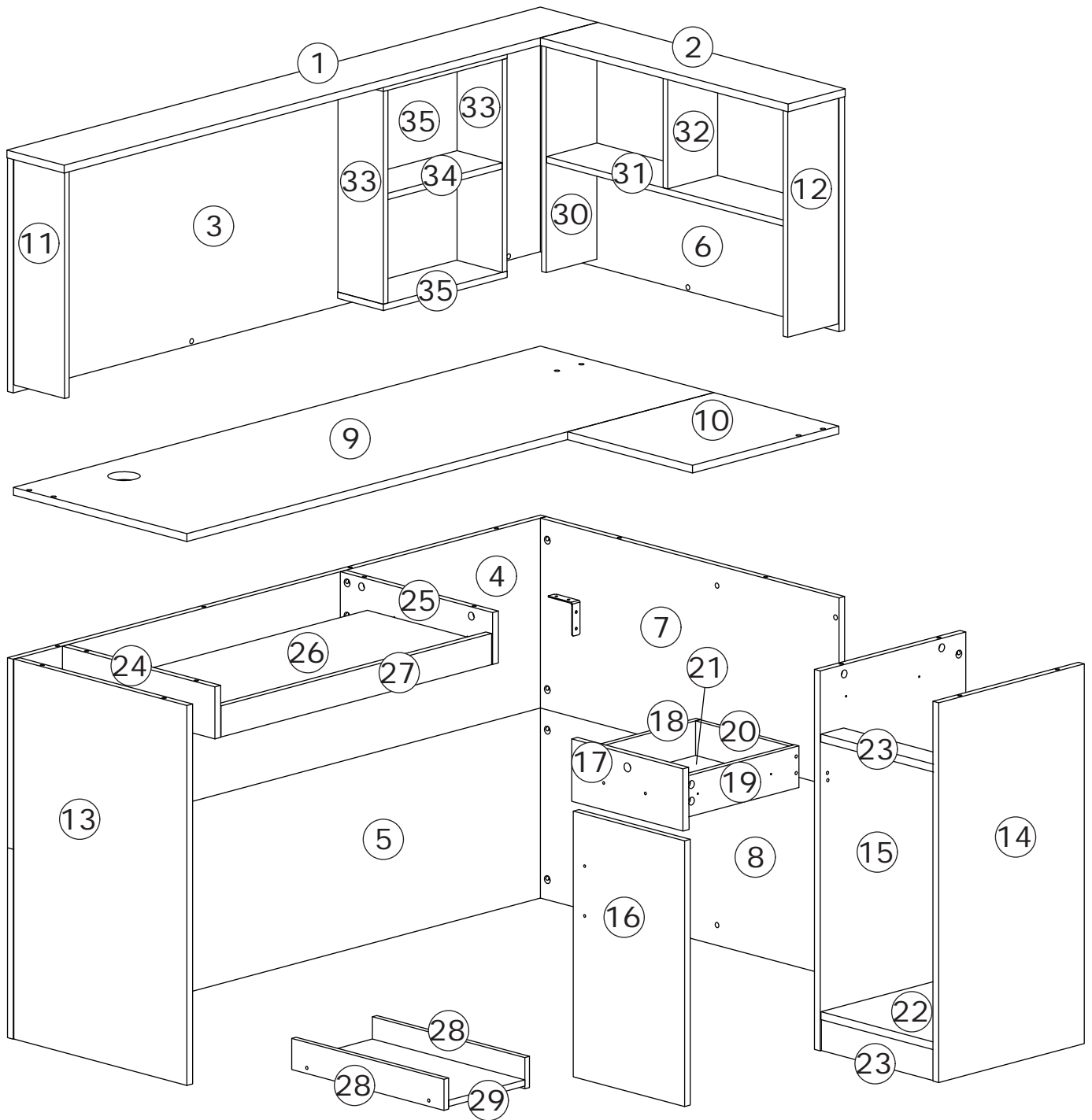
CRD3514A

36



x 2

12" 3508W



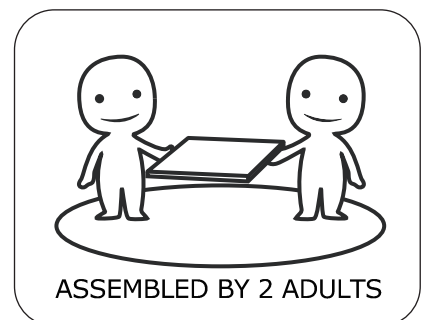
⚠ WARNING



Children have died from furniture tipover. To reduce the risk of furniture tipover:

- ALWAYS install Anti-tip device provided.
- NEVER put a TV on this product.
- NEVER allow children to stand, climb or hang on drawers, doors, or shelves.
- NEVER open more than one drawer at a time.
- Place heaviest items in the lowest drawers.

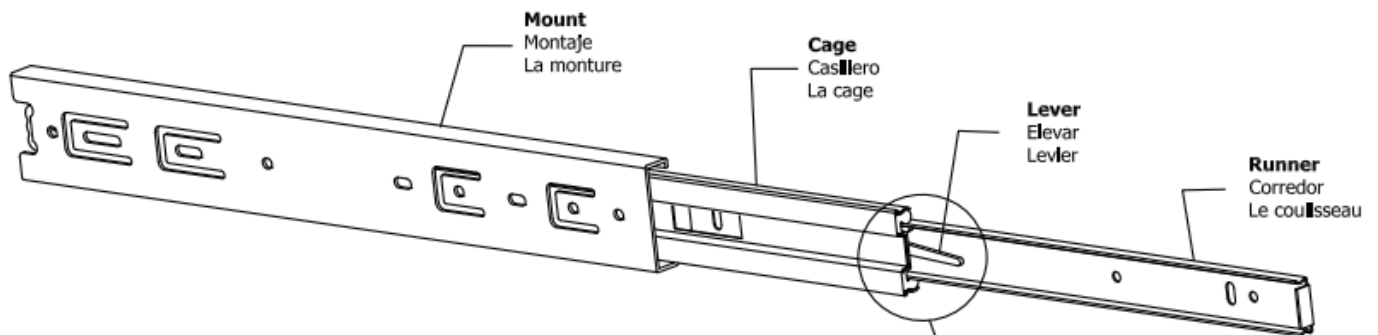
*This is a permanent label.
Do not remove!*



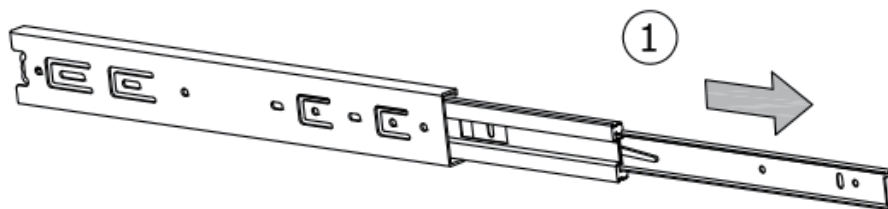
**Slides Must Be Separated Before Assembly.
After Separated, Set Aside Until Needed for Assembly.**

Las diapositivas deben separarse antes del montaje.
Después de la separación, déjelo a un lado hasta que sea necesario.

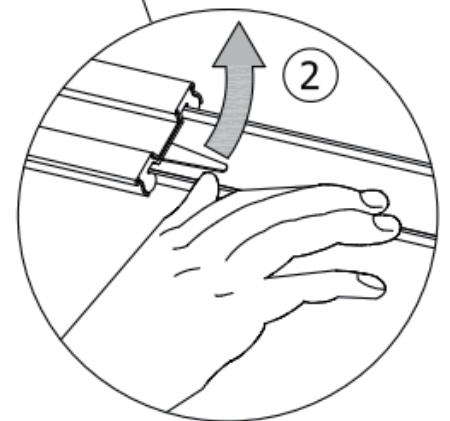
Les glissières doivent être séparées avant l'assemblage.
Après la séparation, mettez de côté jusqu'au moment de l'assemblage. —



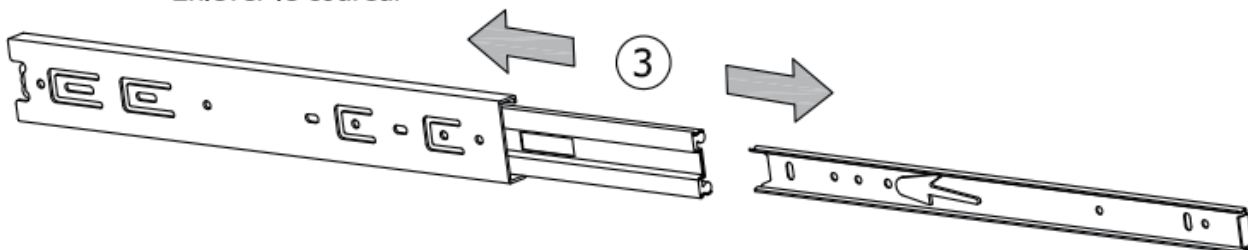
STEP 1: Extend Slide
Extender la diapositiva
Extendre la diapositive



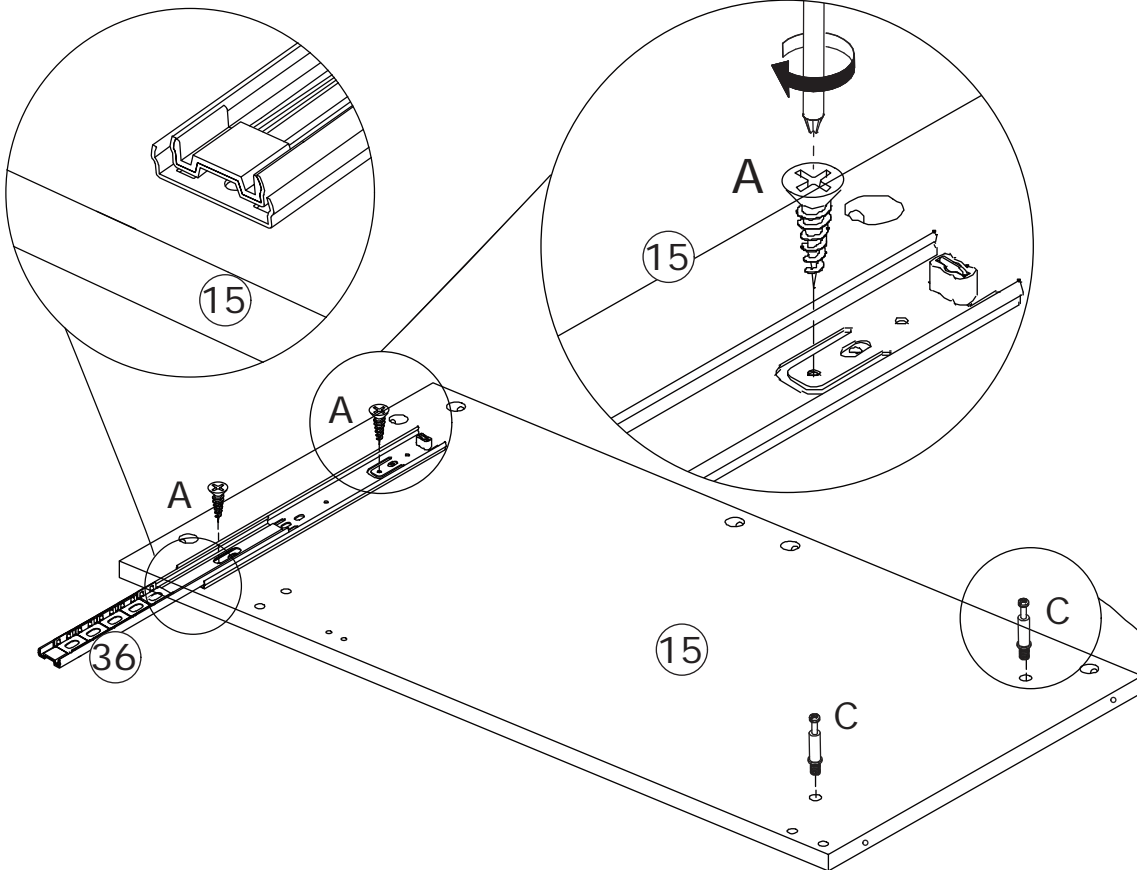
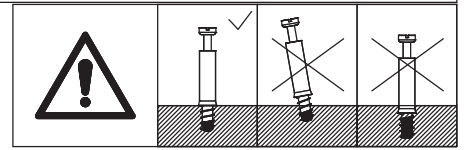
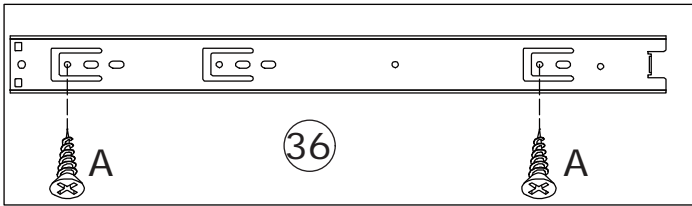
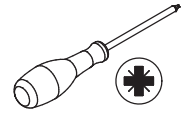
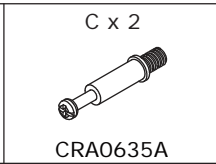
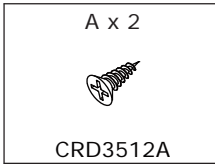
STEP 2: Push Lever UP
Empujar hacia arriba
Lever le levier



STEP 3: Remove Runner
Quitar el corredor
Enlever le coureur



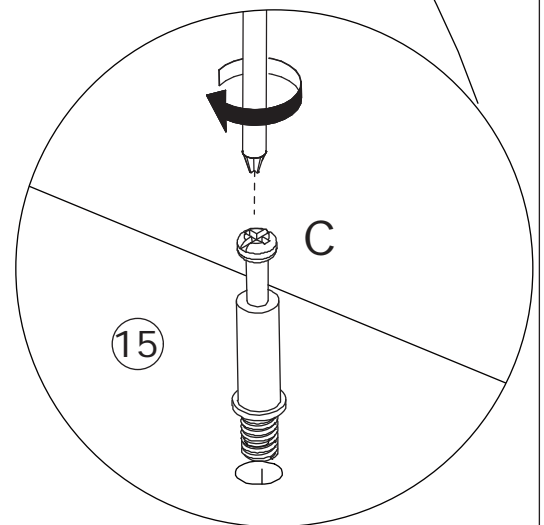
1




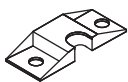
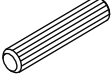

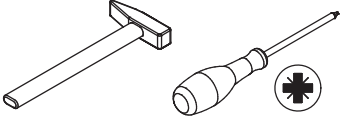
Separate glides into two parts at first.

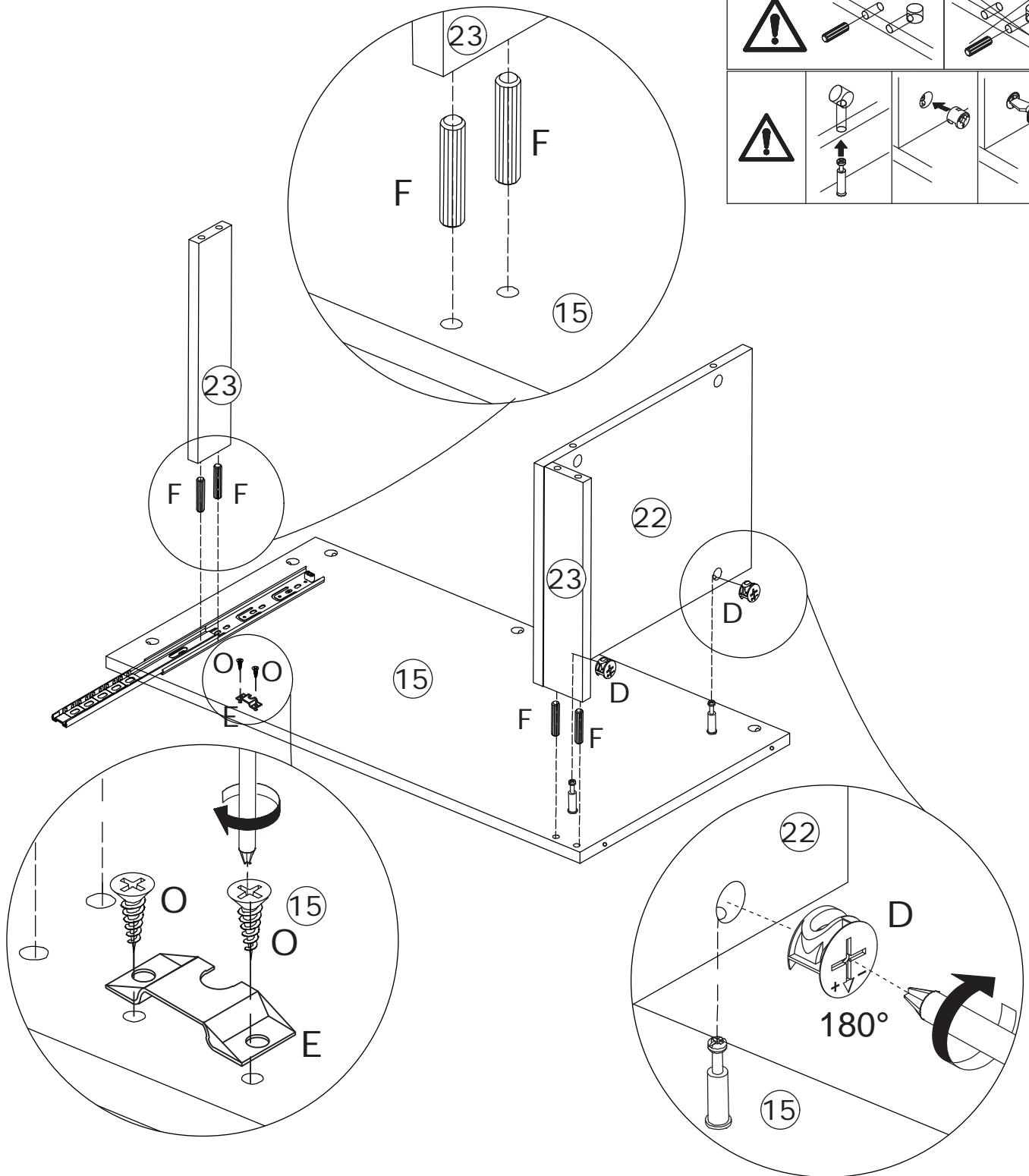
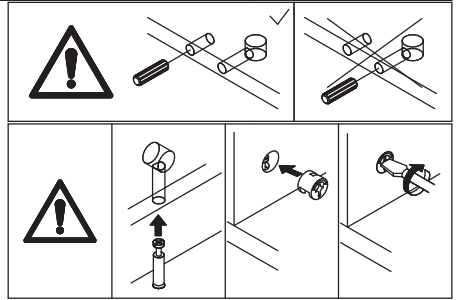
Fix slide rail 36 to plate 15 with screw(A) as shown.

Screw eccentric rod(C) into plate 15 as shown.



2

<p>D x 2</p>  <p>CRB1595A</p>	<p>E x 1</p> 	<p>F x 4</p>  <p>CRF0630A</p>	<p>O x 2</p>  <p>CRD3514A</p>	
--	--	--	---	---

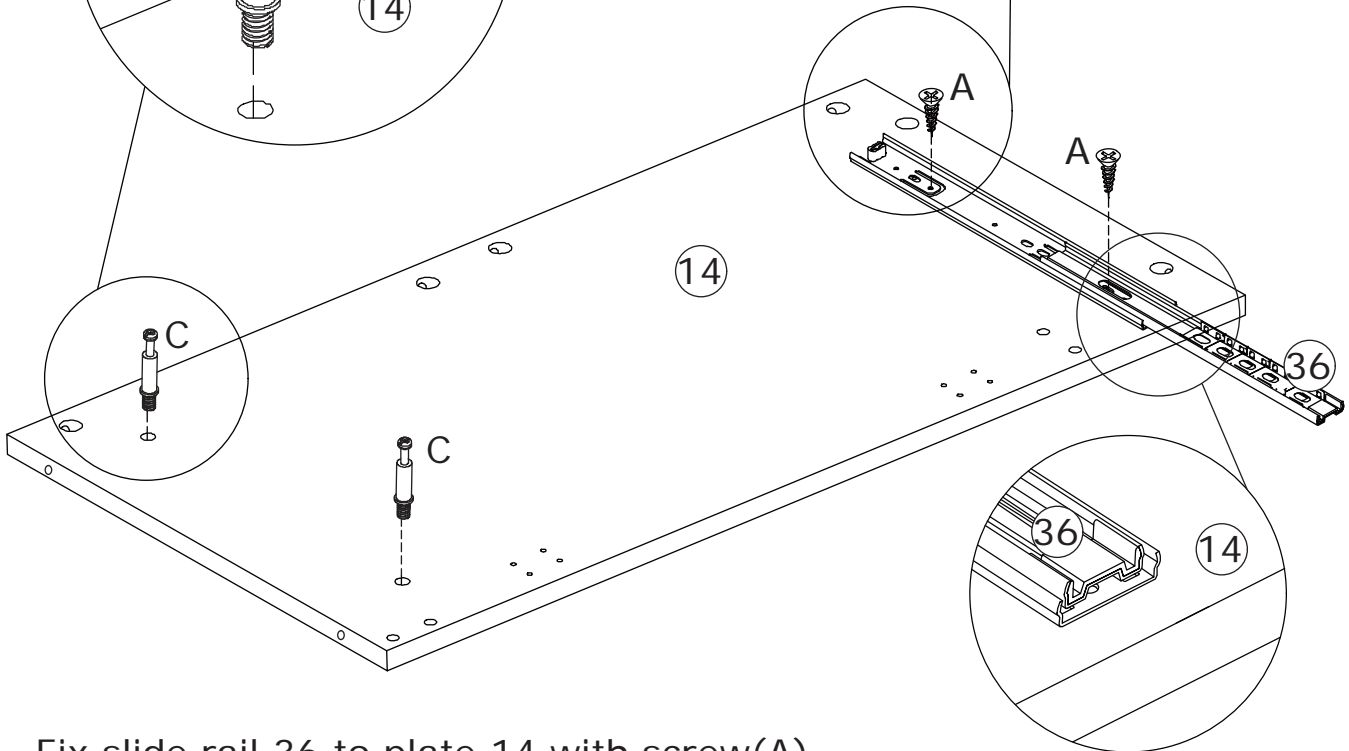
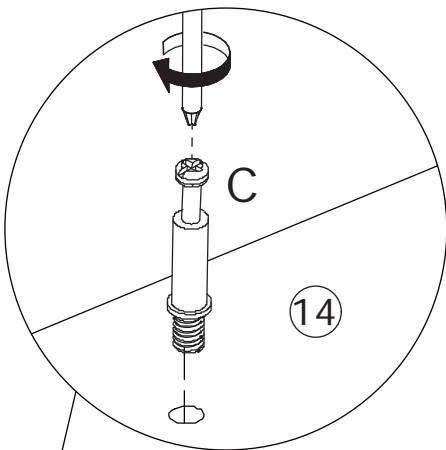
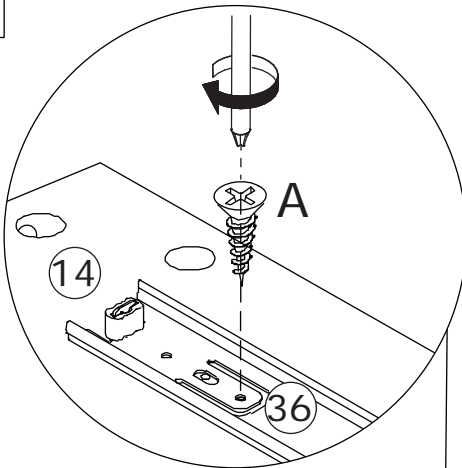
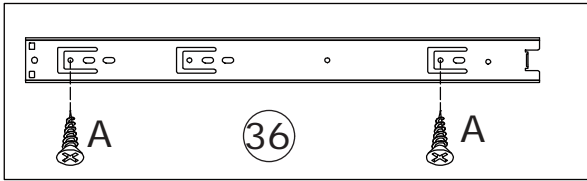
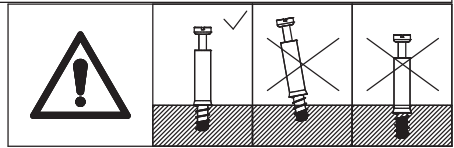
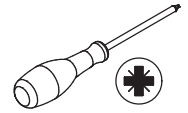


Attach plate 22 to plate 15, add cam lock(D) into plate 22 and turn lockwise to tighten as show.
 Attach plate 23 to plate 15 using wooden dowel(F) as shown.
 Fix part(E) to plate 15 with screw(O).

3

A x 2
CRD3512A

C x 2
CRA0635A

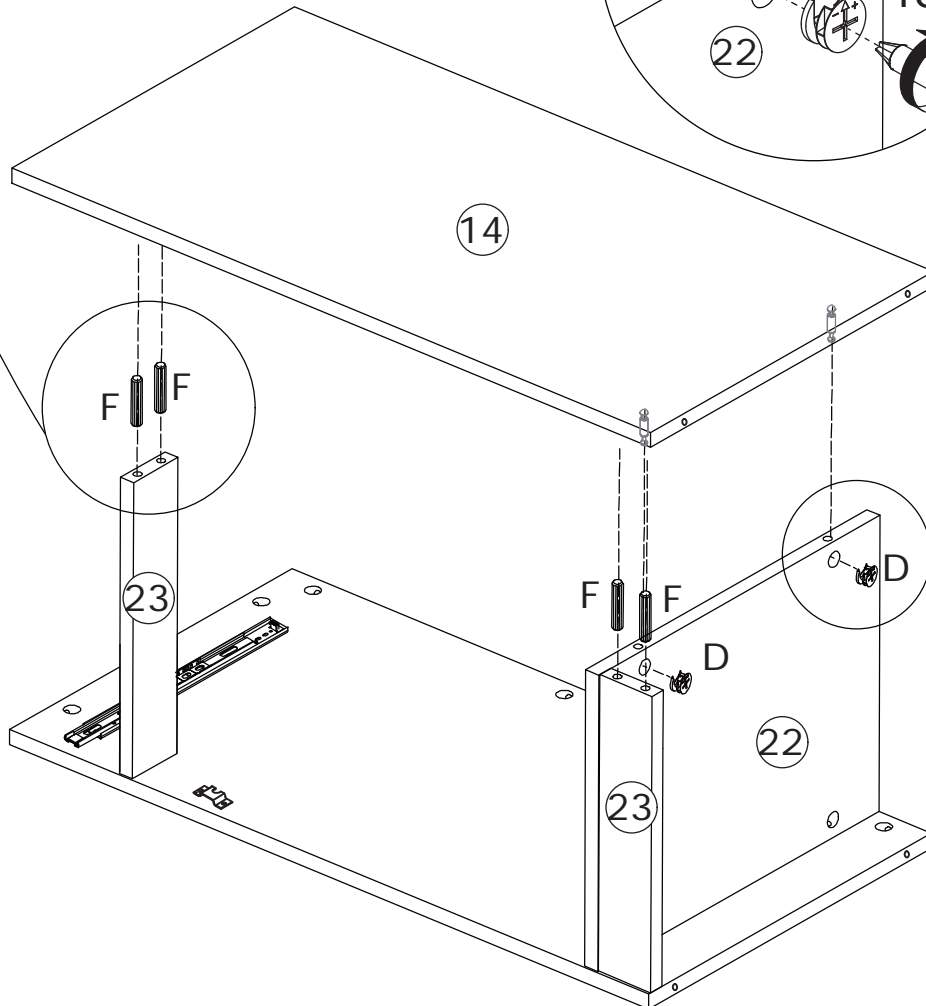
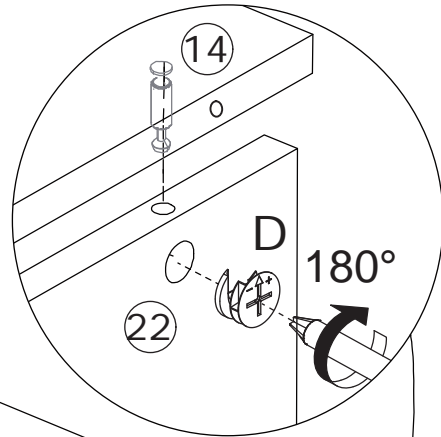
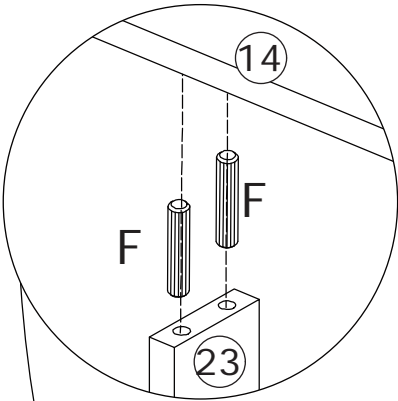
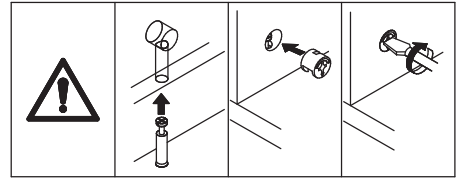
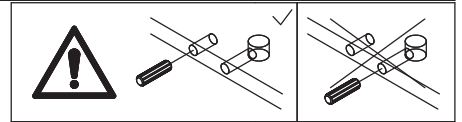
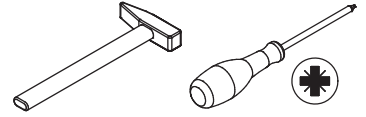


Fix slide rail 36 to plate 14 with screw(A)
as shown.
Screw eccentric rod(C) into plate 14
as shown.

4

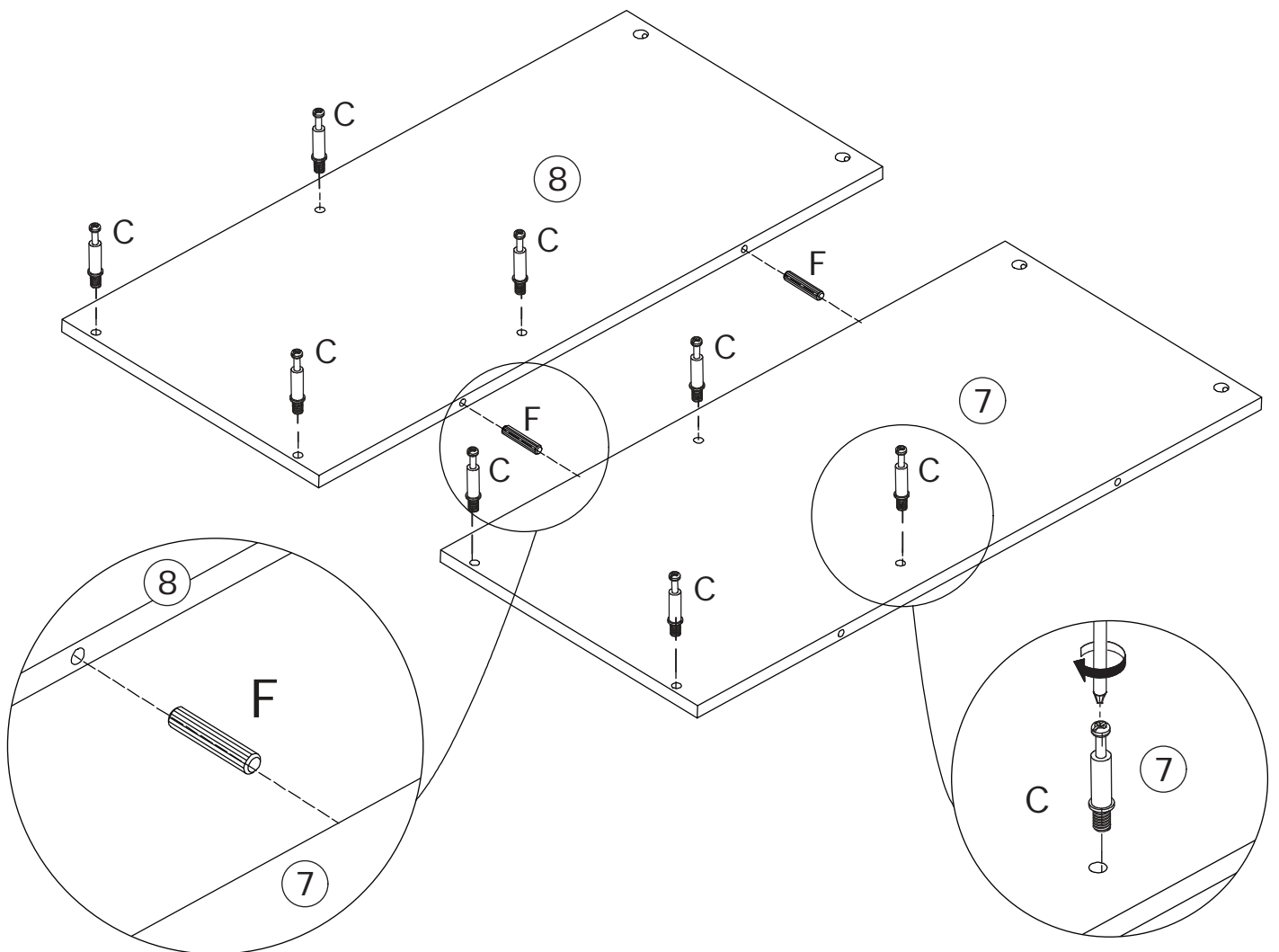
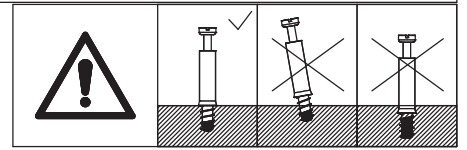
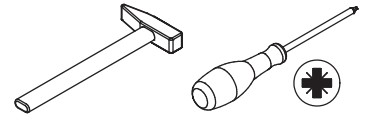
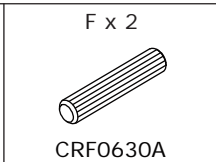
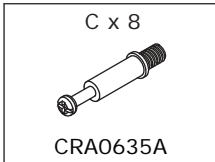
D x 2
CRB1595A

F x 4
CRF0630A



Insert wooden dowel(F) into plate 23 at first.
Cover plate 14 to plate 22 and 23, add cam lock(D) into
plate 22 and turn clockwise to tighten as shown.

5



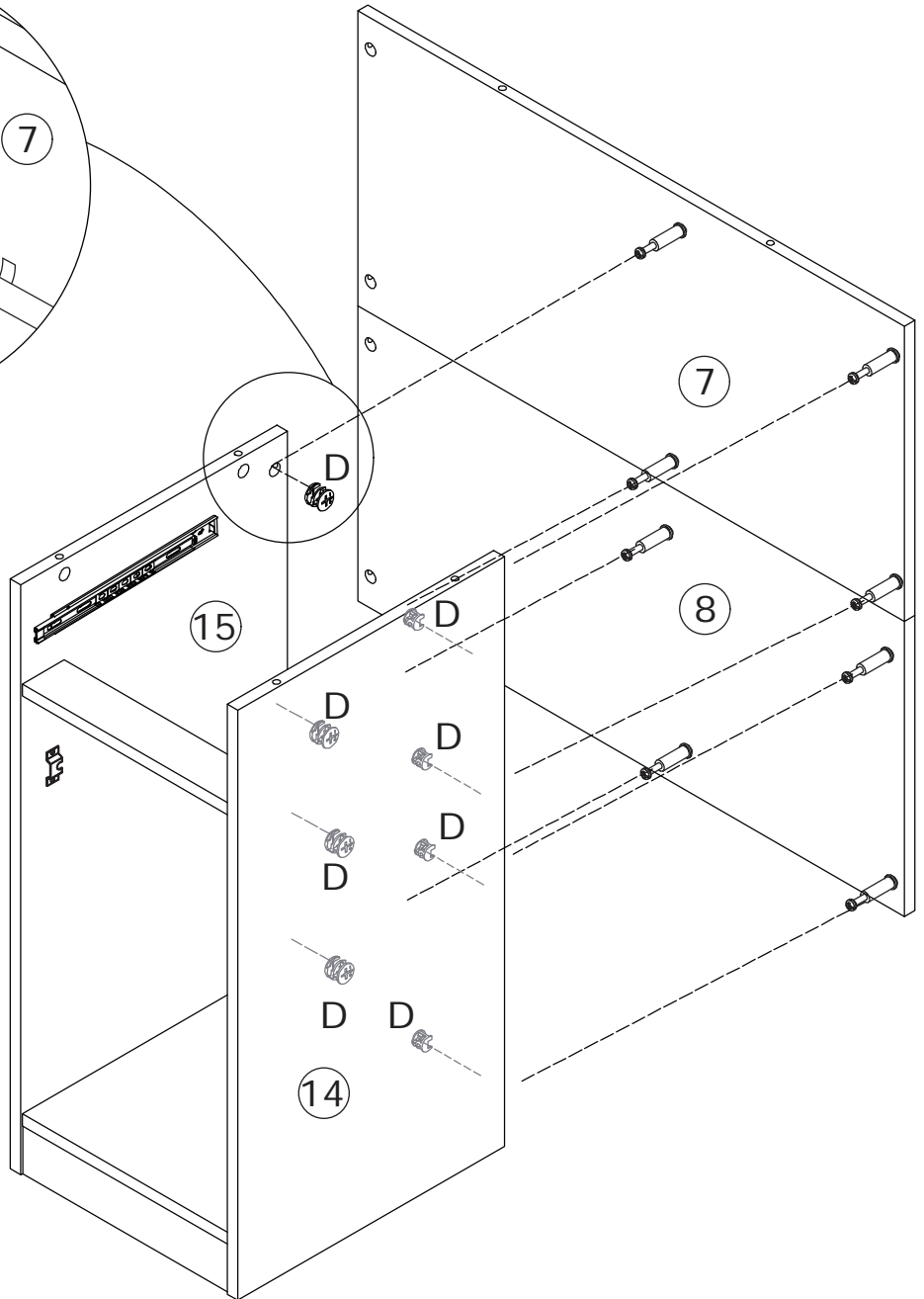
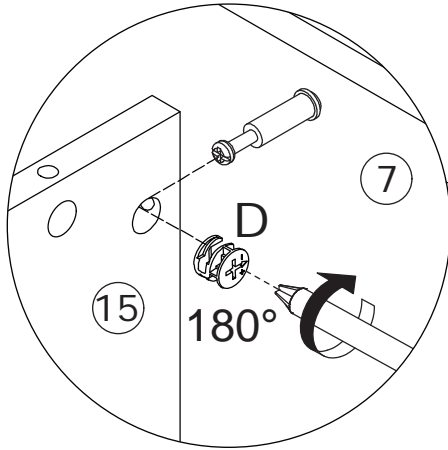
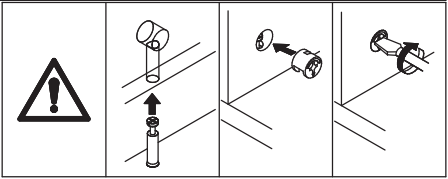
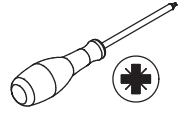
Screw eccentric rod(C) into plate 7 and 8.
Connect the two plates with wooden dowel(F) as shown.

6

D x 8

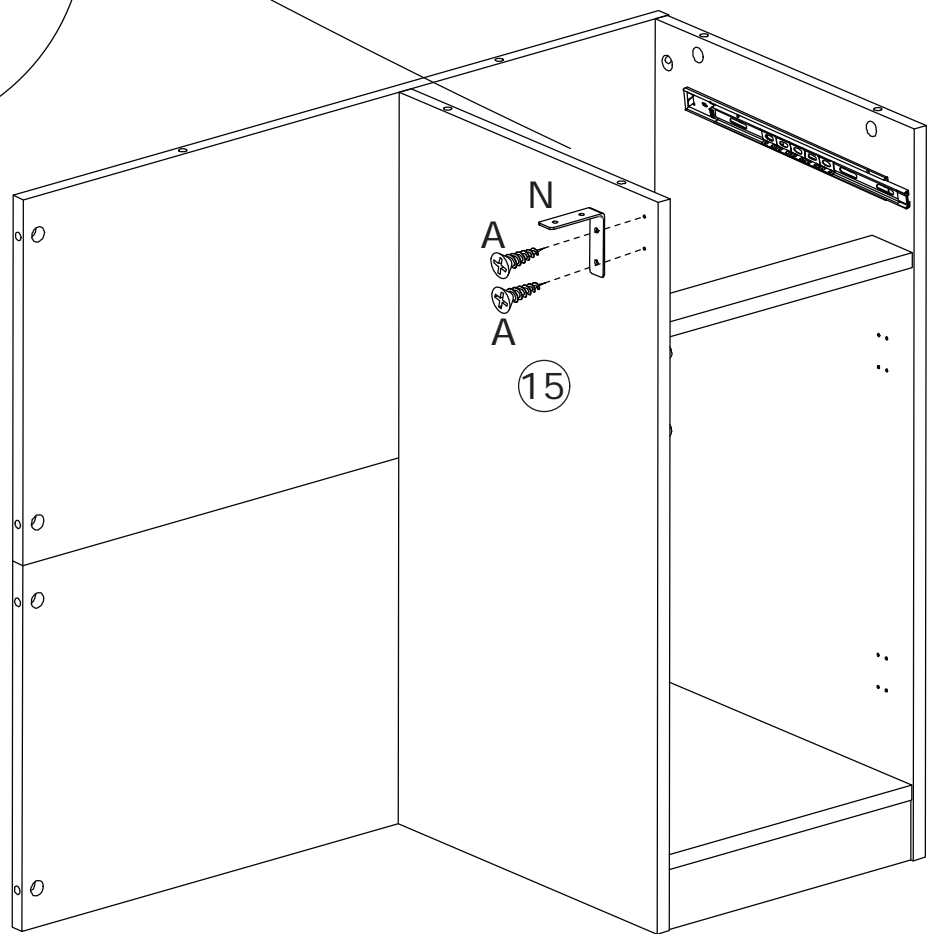
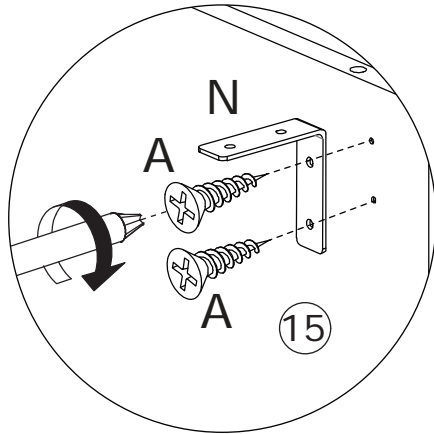
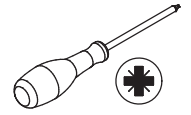
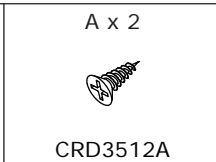
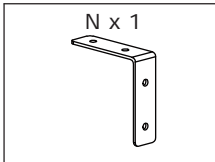


CRB1595A



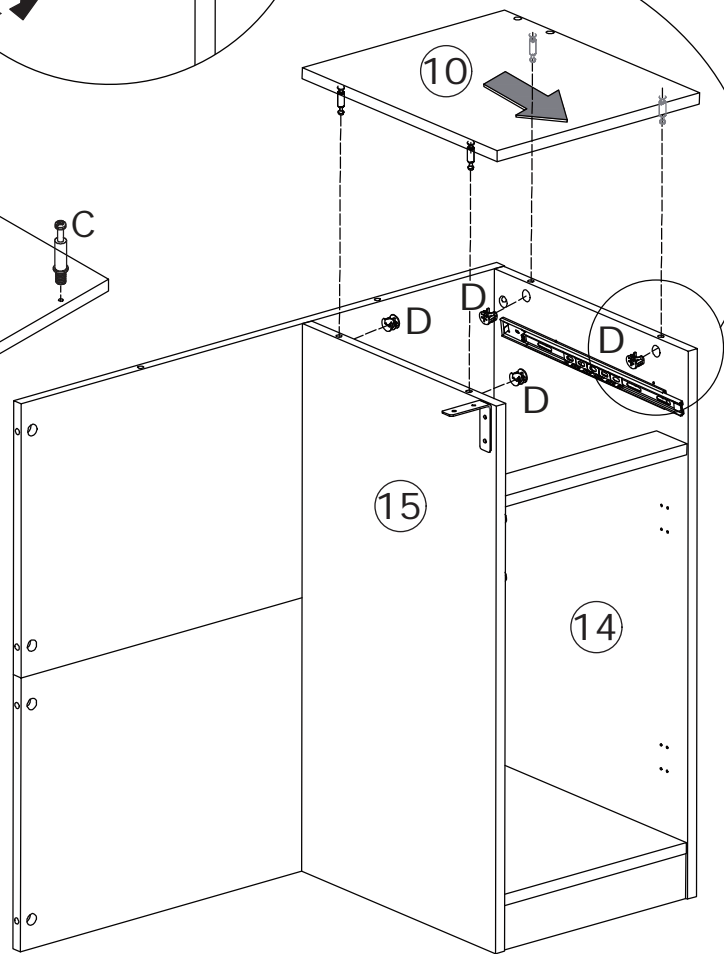
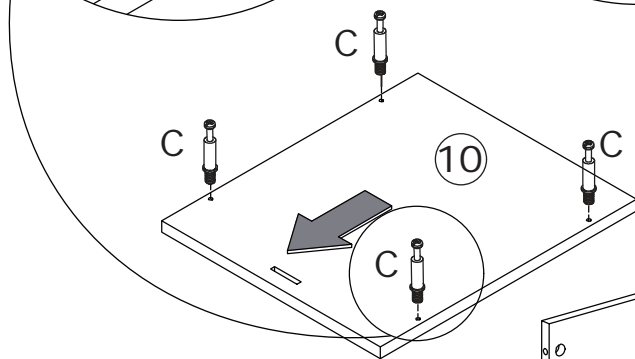
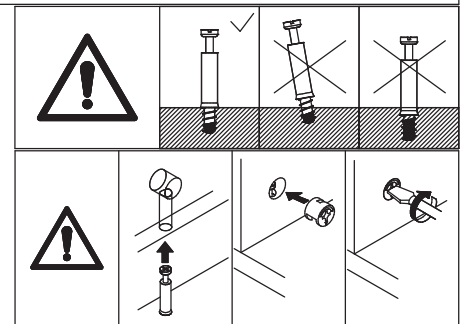
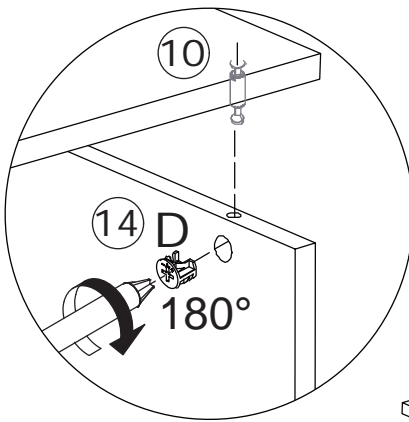
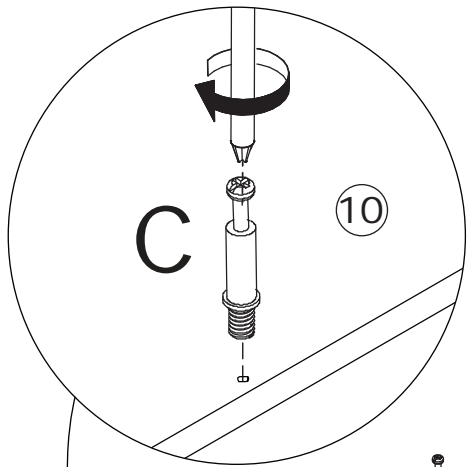
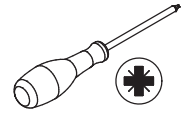
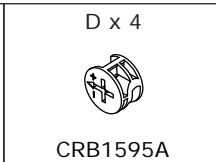
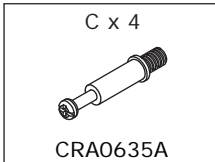
Attach plate 7 and 8 to plate 14 and 15, add cam lock(D) into plate 14,15 and turn clockwise to tighten as shown.

7



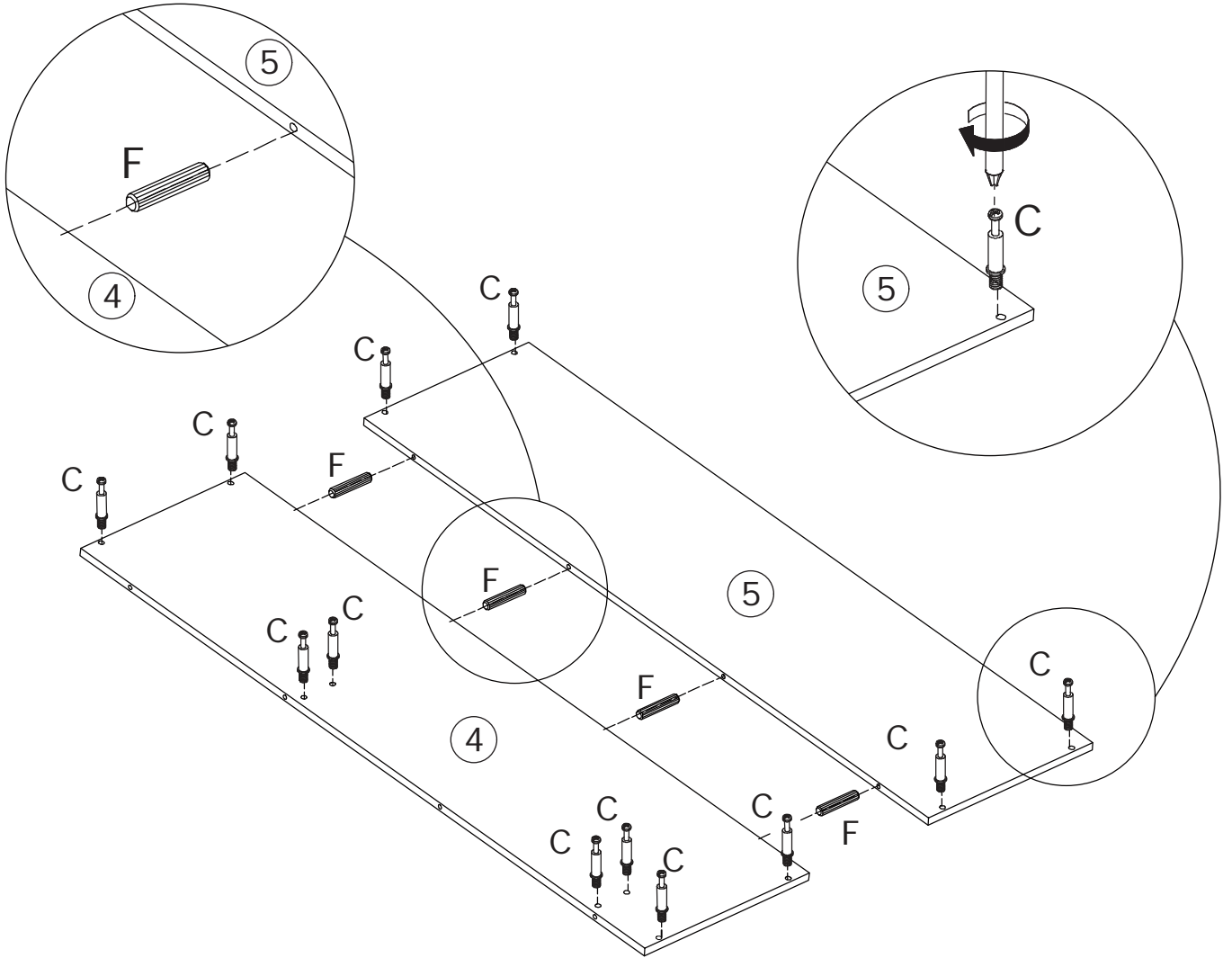
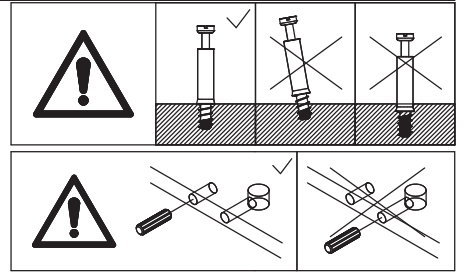
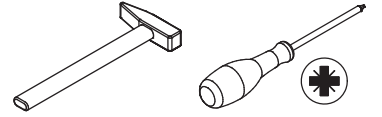
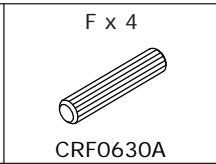
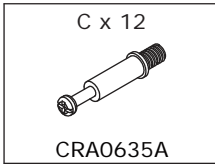
Fix part(N) to plate 15 with screw(A) as shown.

8



Screw eccentric rod(C) into plate 10 at first.
Cover plate 10 to plate 14 and 15, add cam lock(D) into plate 14,15 and turn clockwise to tighten as shown.

9



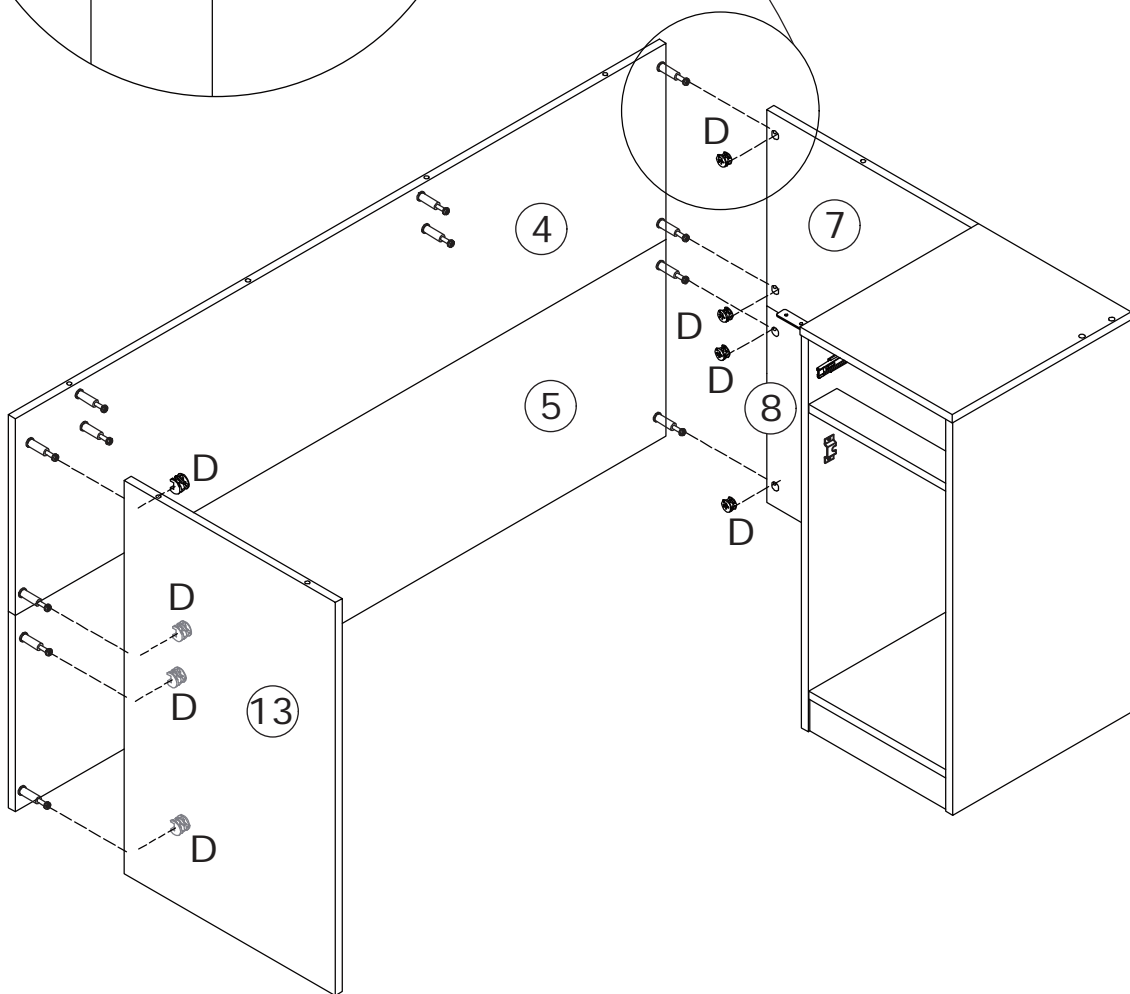
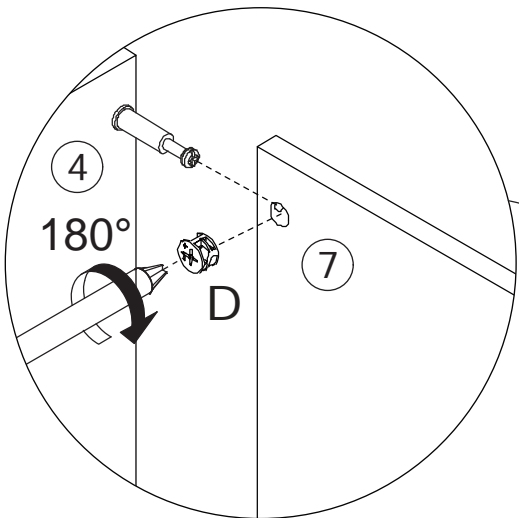
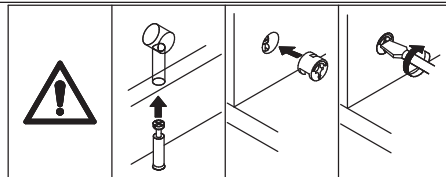
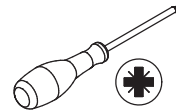
Screw eccentric rod(C) into plate 4 and 5.
Connect the two plates with wooden dowel(F) as shown.

10

D x 8



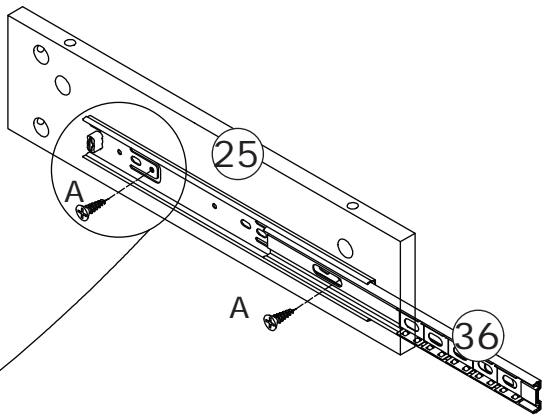
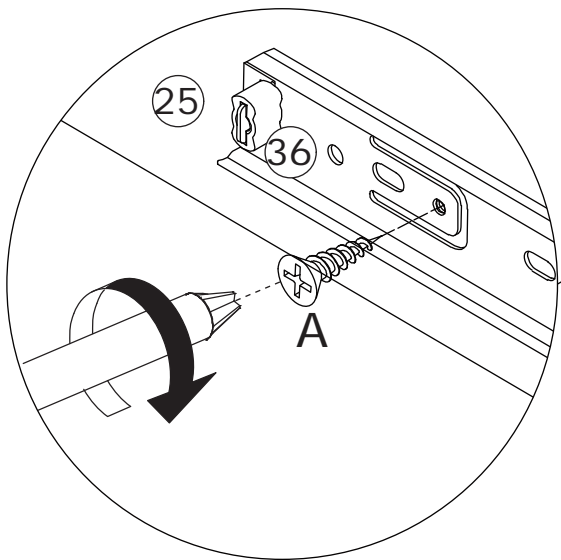
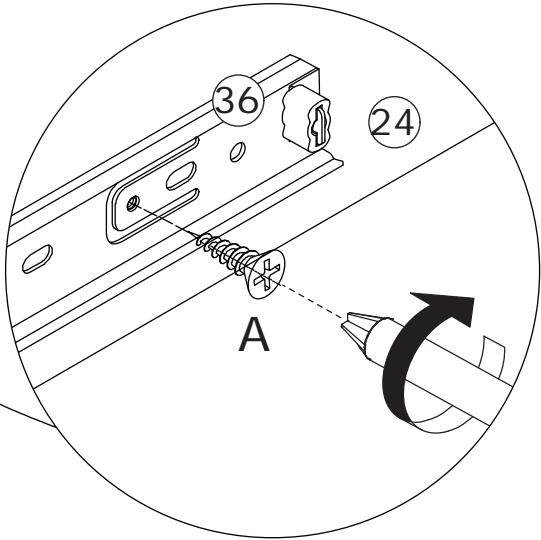
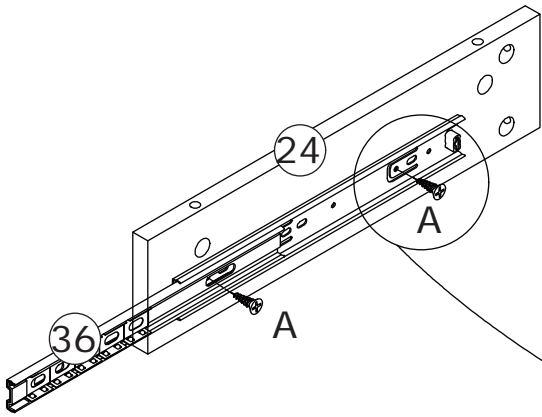
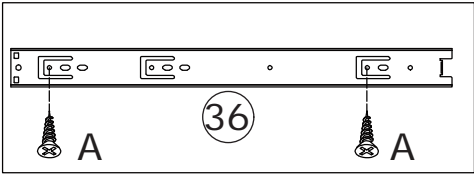
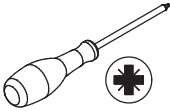
CRB1595A



Attach plate 4 and 5 to the plate 13, 7 and 8, add cam lock(D) into plate 13,7,8 and turn clockwise to tighten as shown.

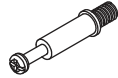


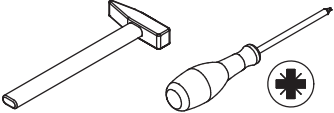
11

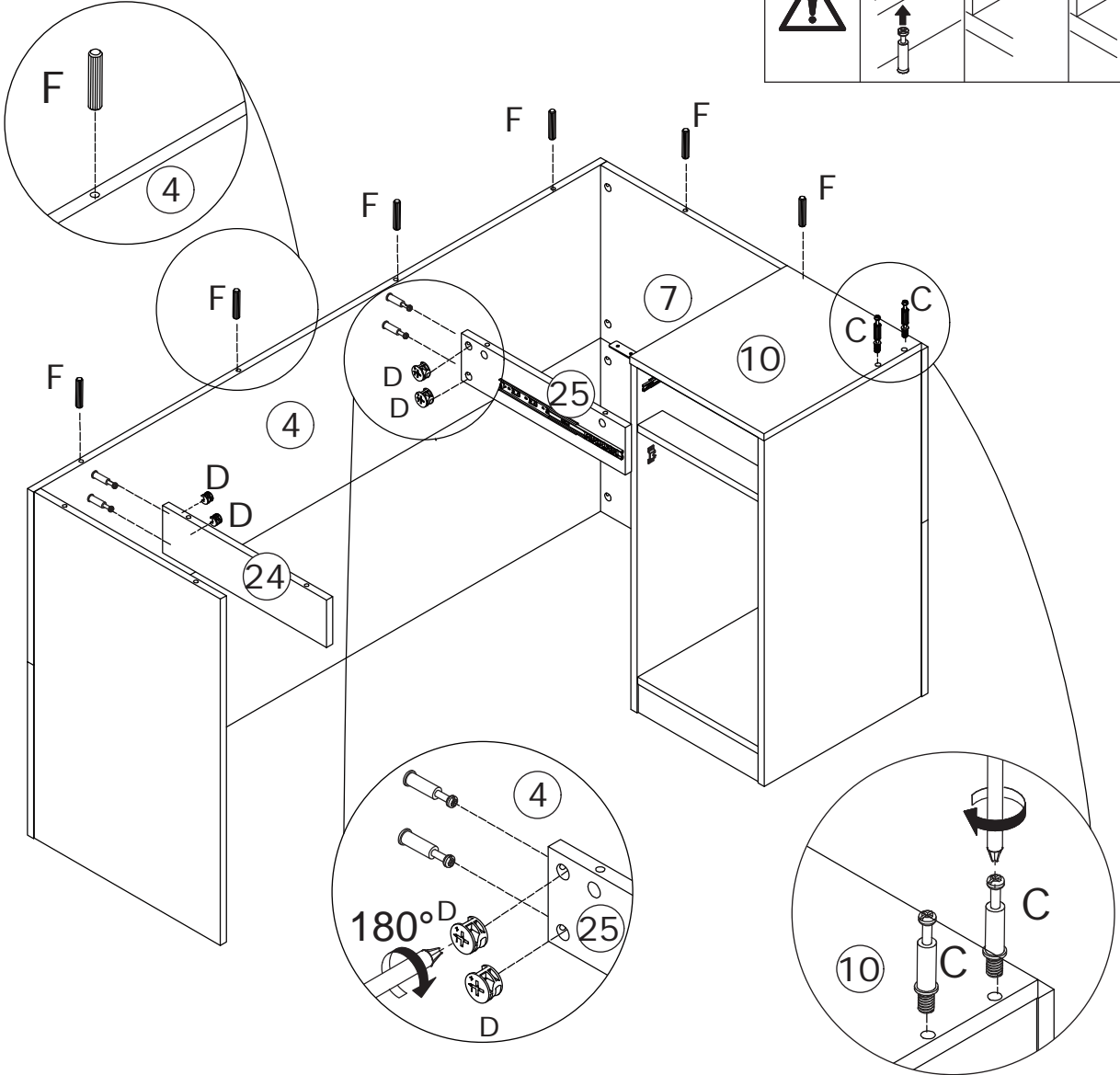
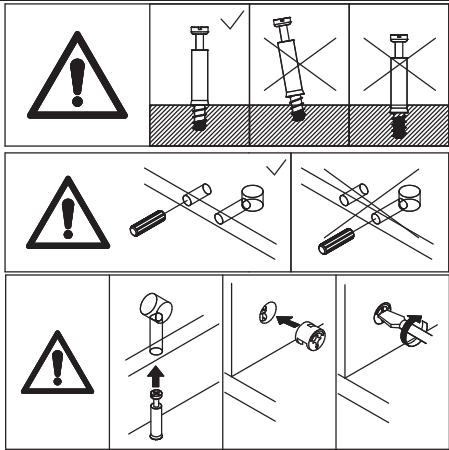
A x 4
CRD3512A



Fix slide rail 36 to plate 24 and 25 with screw(A) as shown.

12

<p>C x 2</p>  <p>CRA0635A</p>	<p>D x 4</p>  <p>CRB1595A</p>	<p>F x 6</p>  <p>CRF0630A</p>	
--	--	--	---

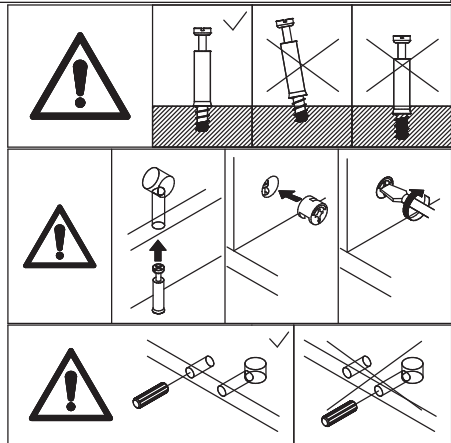
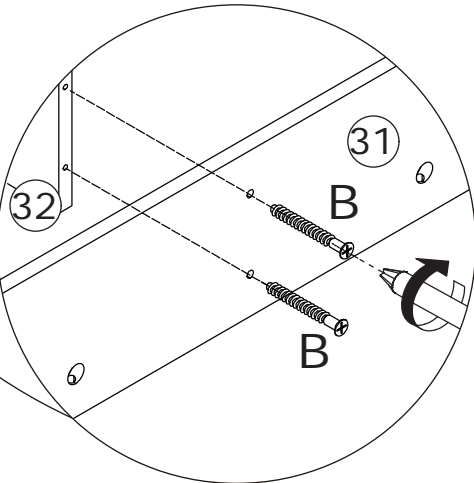
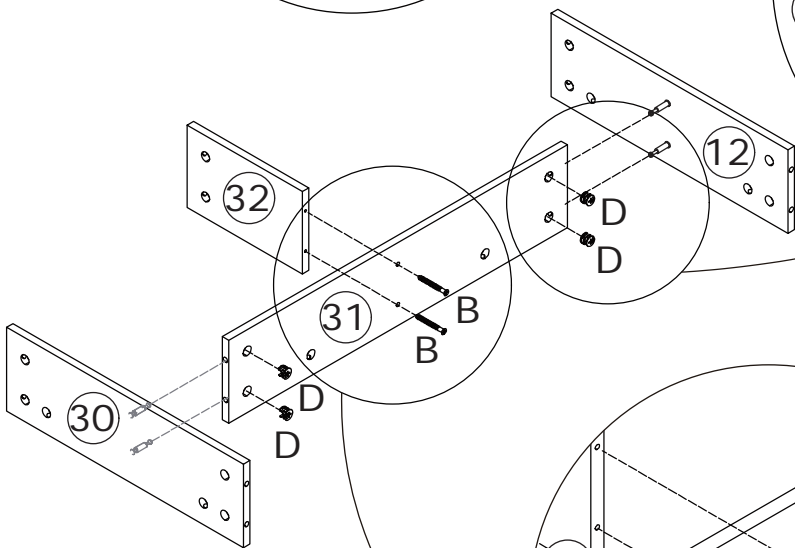
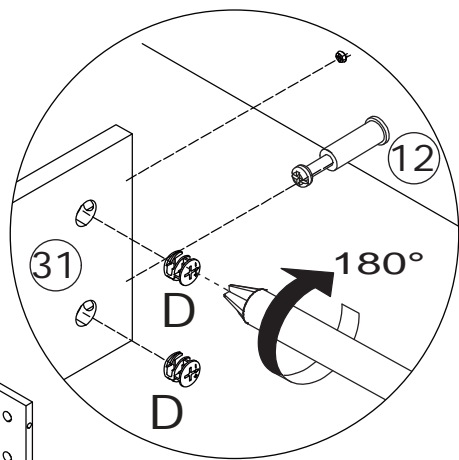
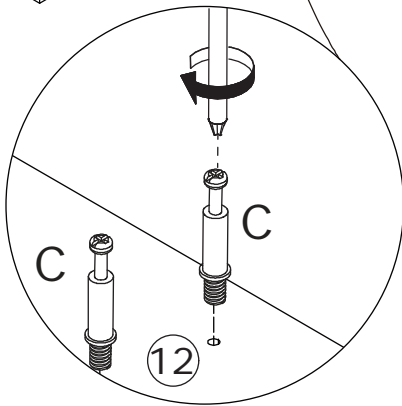
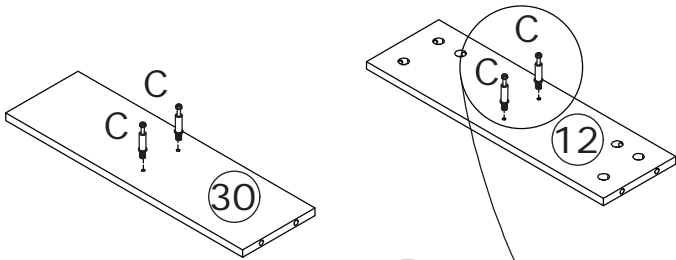
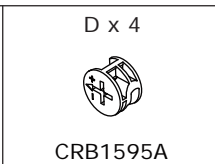
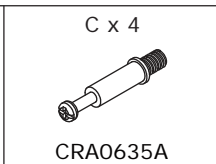
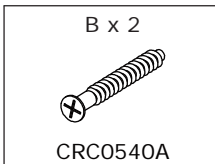


Attach plate 24 and 25 to plate 4, add cam lock(D) into plate 24,25 and turn clockwise to tighten as shown.

Screw eccentric rod(C) into plate 10.

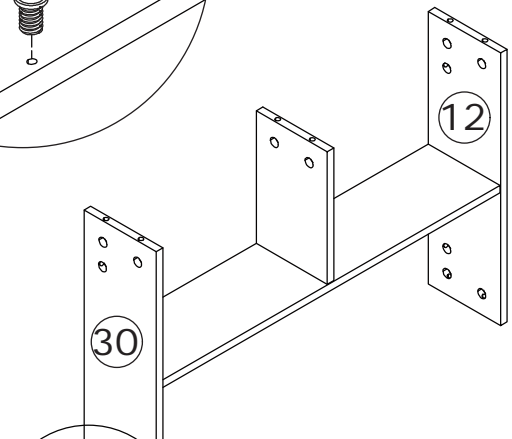
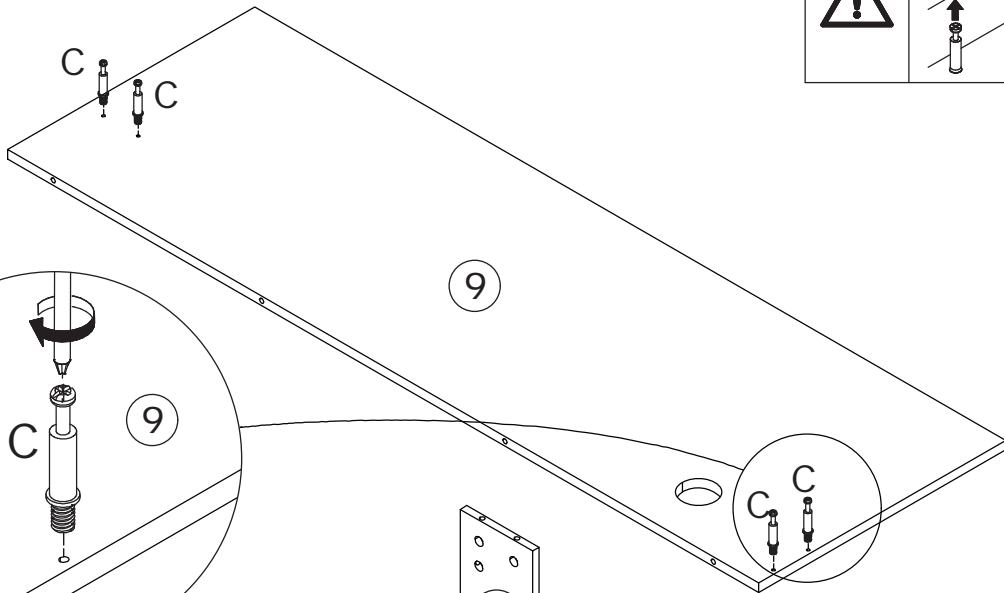
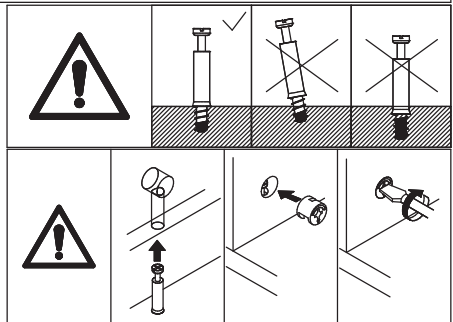
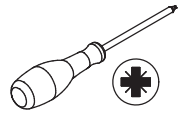
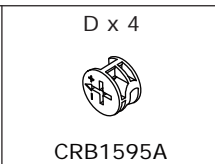
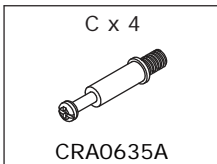
Insert wooden dowel(F) into plate 4 and 7 as shown.

13

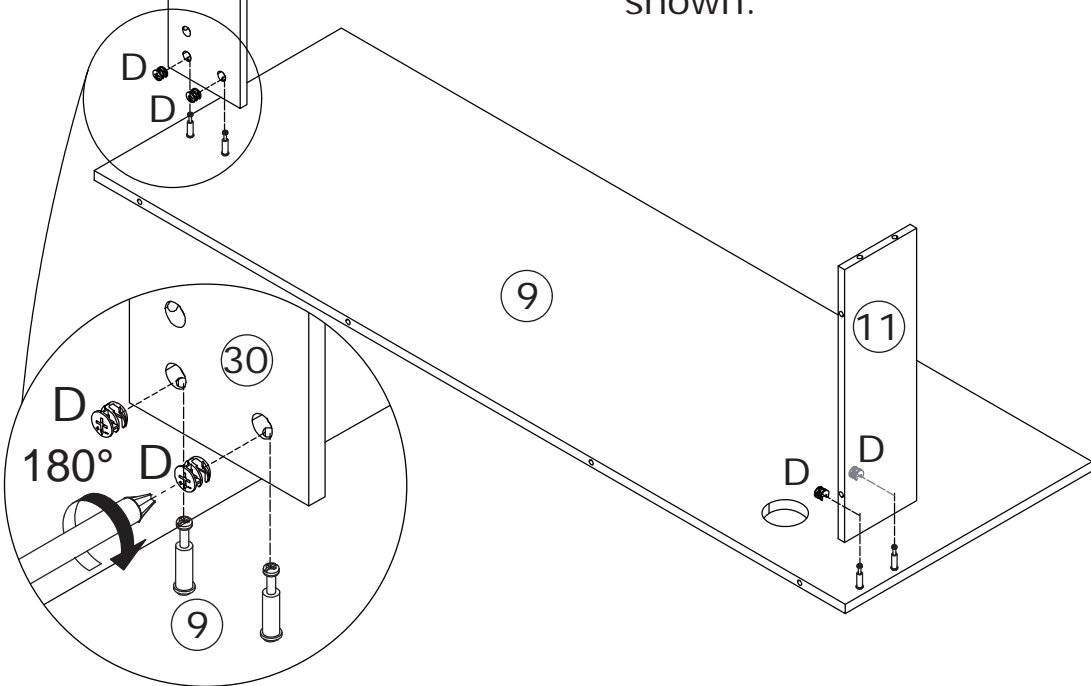


Screw eccentric rod(C) into plate 12 and 30 as shown.
Attach plate 12 and 30 to plate 31, add cam lock(D) into plate 31 and turn clockwise to tighten as shown.
Fix plate 32 to plate 31 with screw(B) as shown.

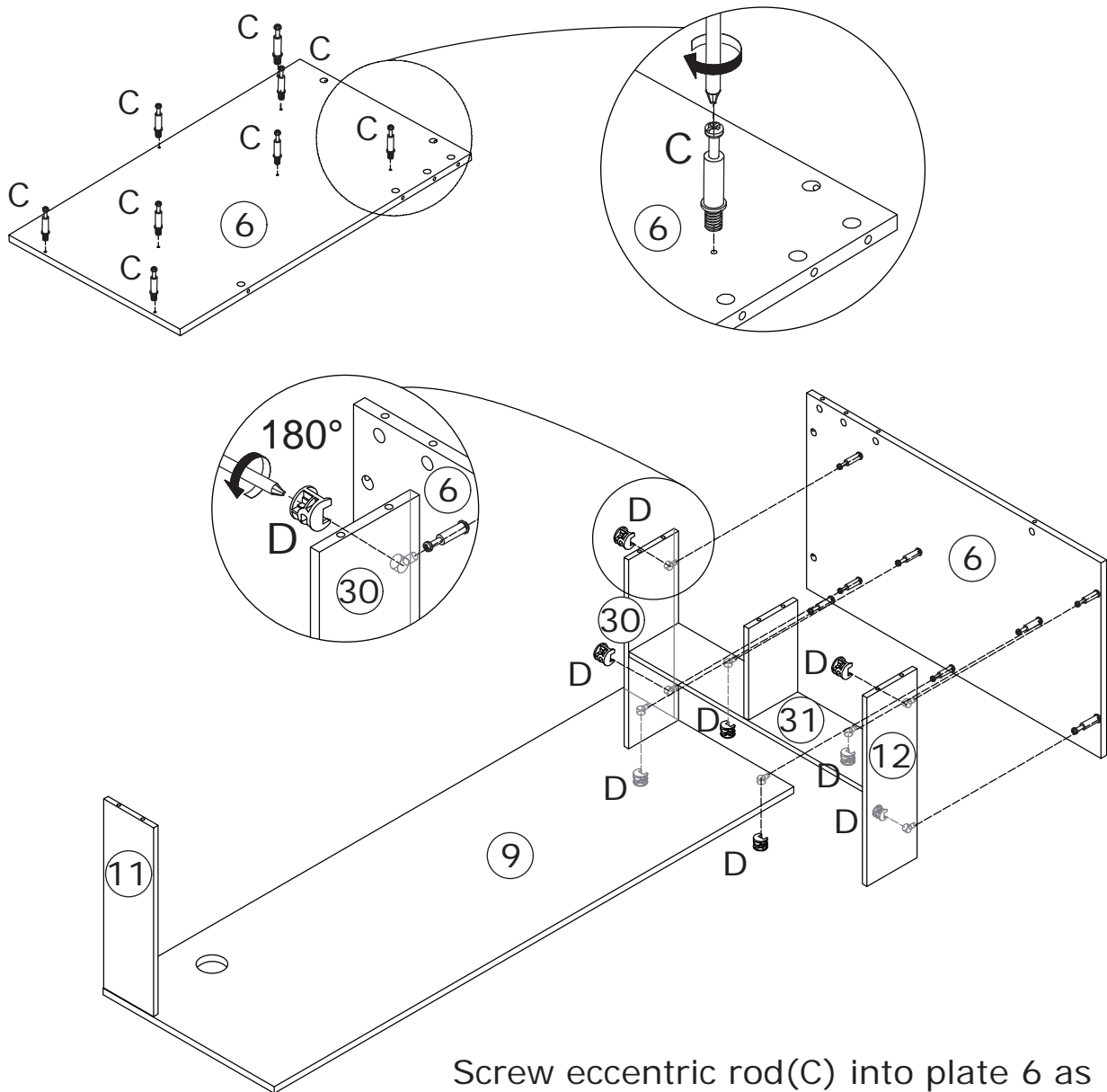
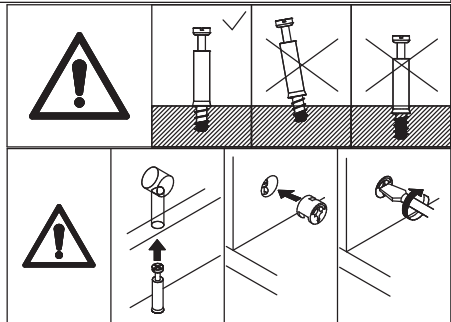
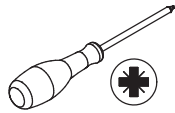
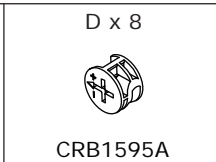
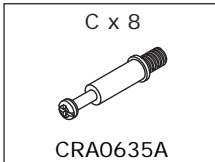
14



Screw eccentric rod(C) into plate 9 as shown.
Attach plate 30 and 11 to plate 9, add cam lock(D) into plate 30,11 and turn clockwise to tighten as shown.

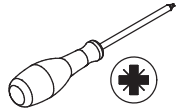
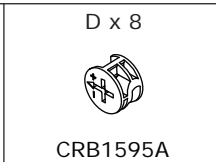
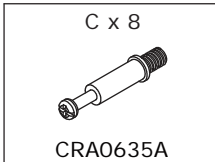


15

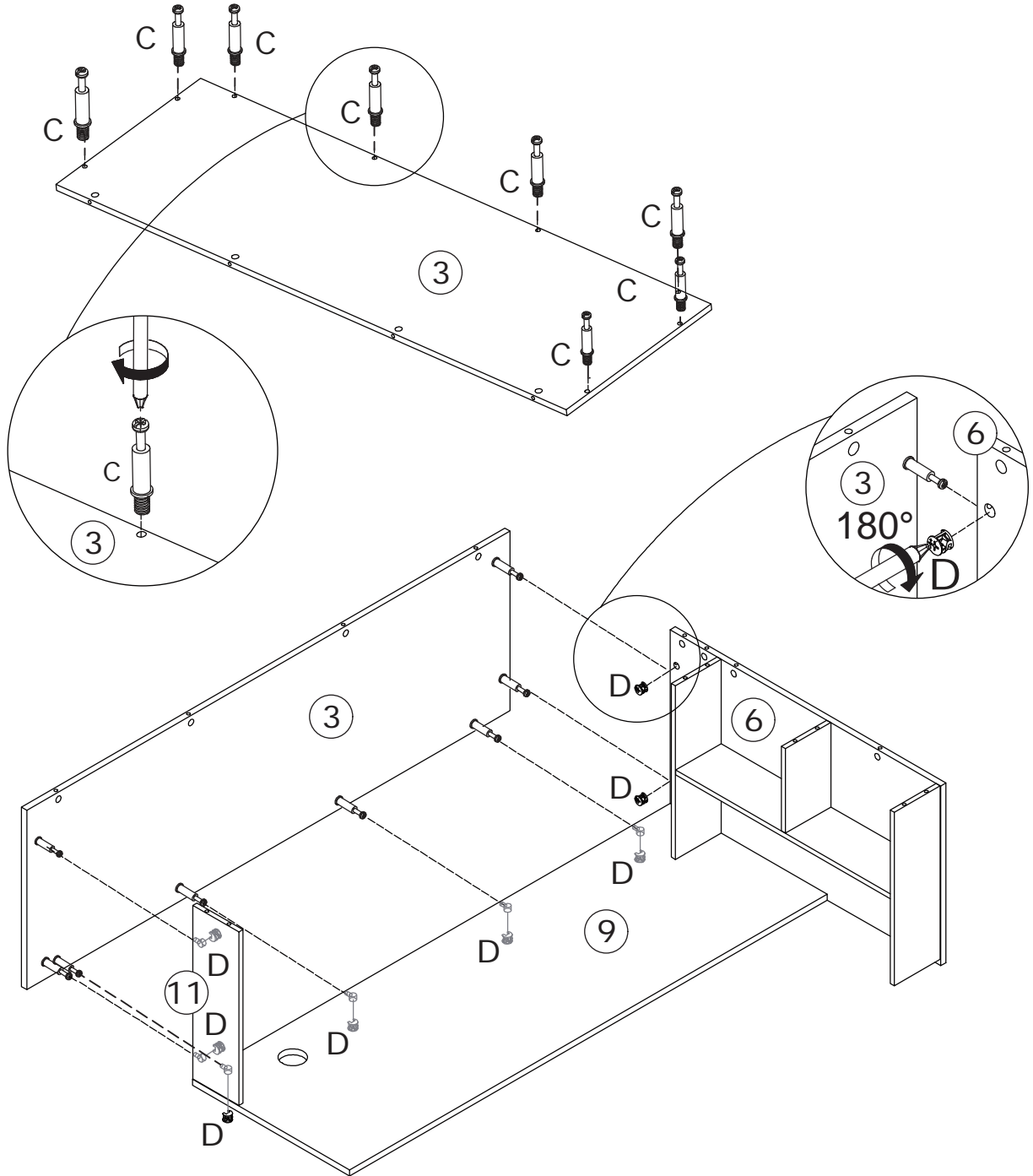
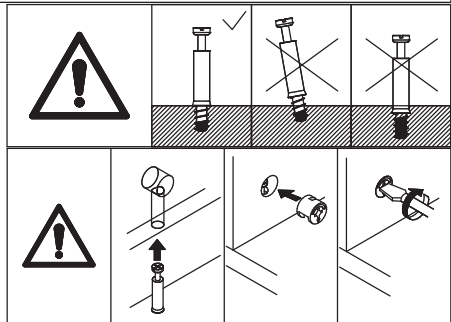


Screw eccentric rod(C) into plate 6 as shown.
Attach plate 6 to plate 9, 12, 30 and 31, add cam lock(D) into and turn clockwise to tighten as shown.

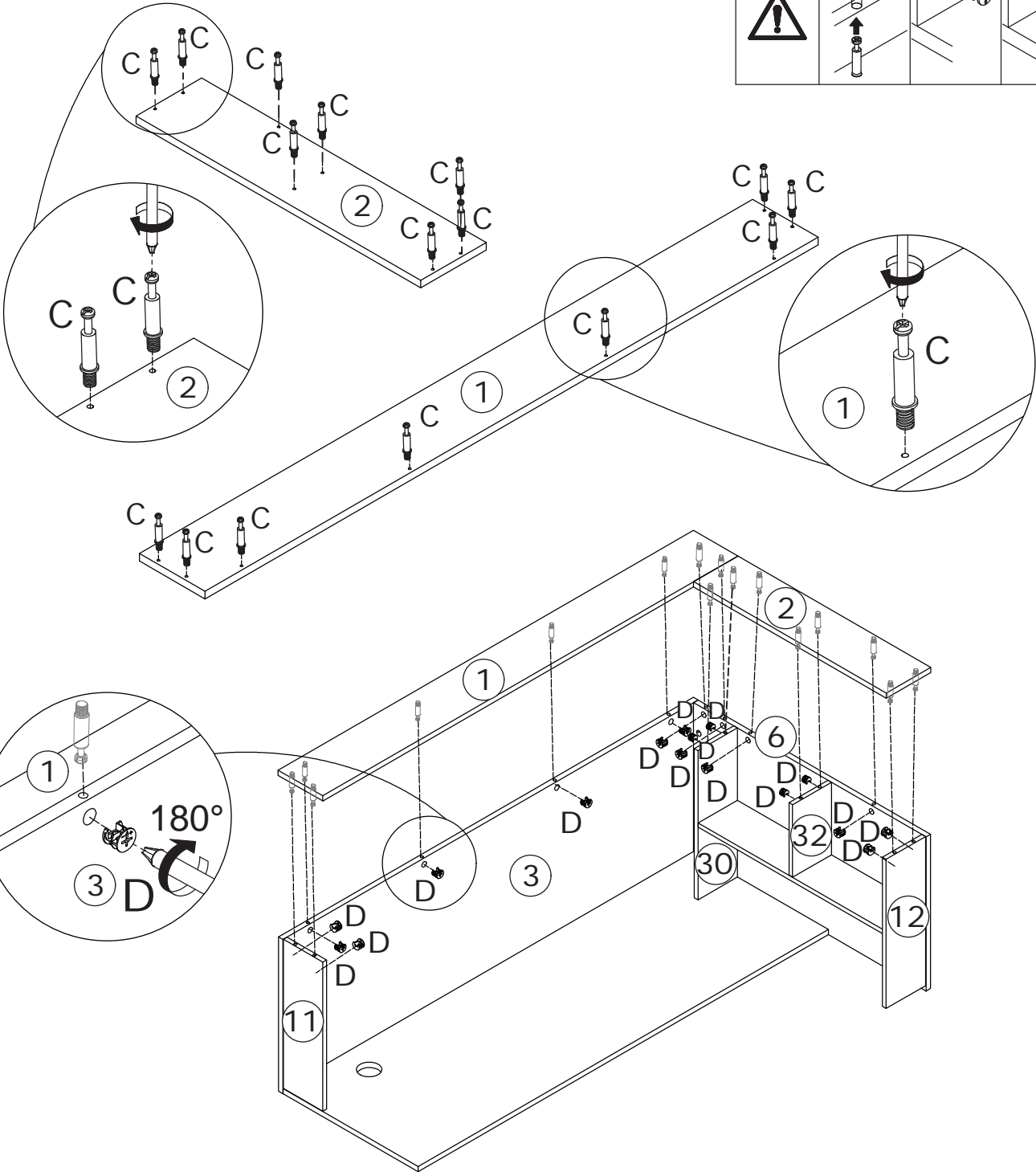
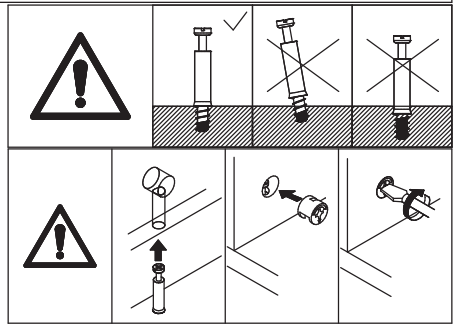
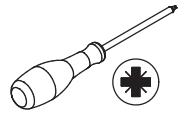
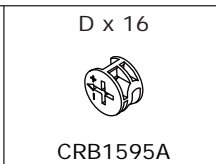
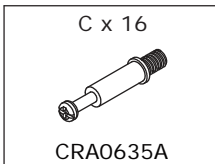
16



Screw eccentric rod(C) into plate 3 as shown.
Cover plate 3 to plate 11, 9 and 6, add cam lock(D) into and turn clockwise to tighten as shown.

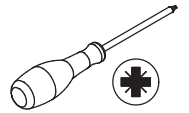
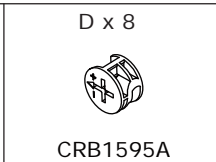


17

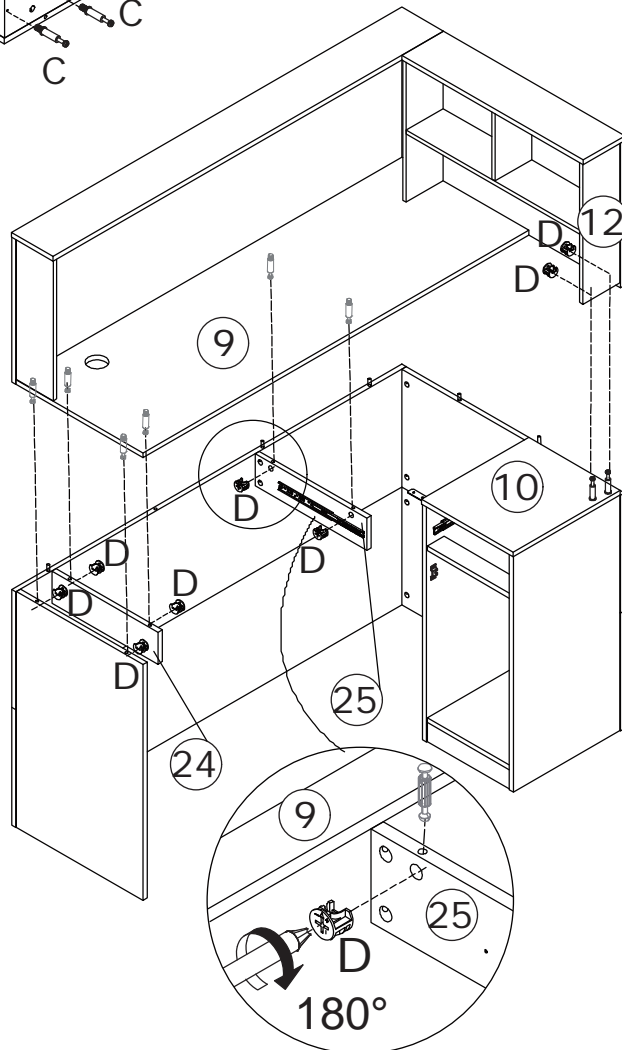
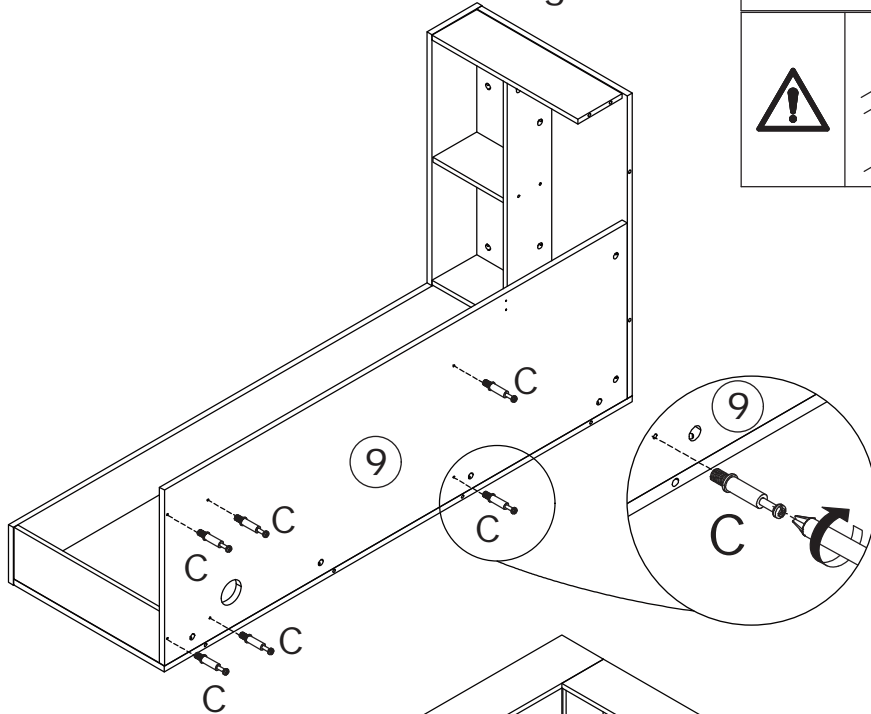
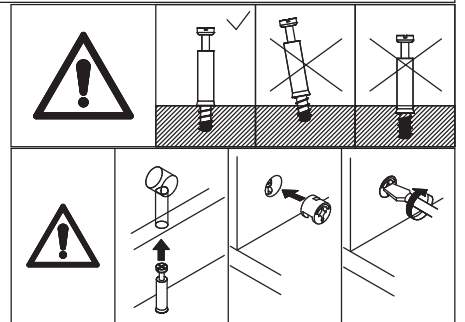


Screw eccentric rod(C) into plate 1 and 2.
Cover plate 1 and 2 to plate 11, 3, 6, 30, 32
and 12, add cam lock(D) into and turn
clockwise to tighten as shown.

18



Screw eccentric rod(C) into plate 9 at first.
Attach the hutch to the bottom component, add
cam lock(D) into and turn clockwise to tighten as
shown.

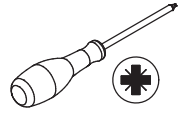


19

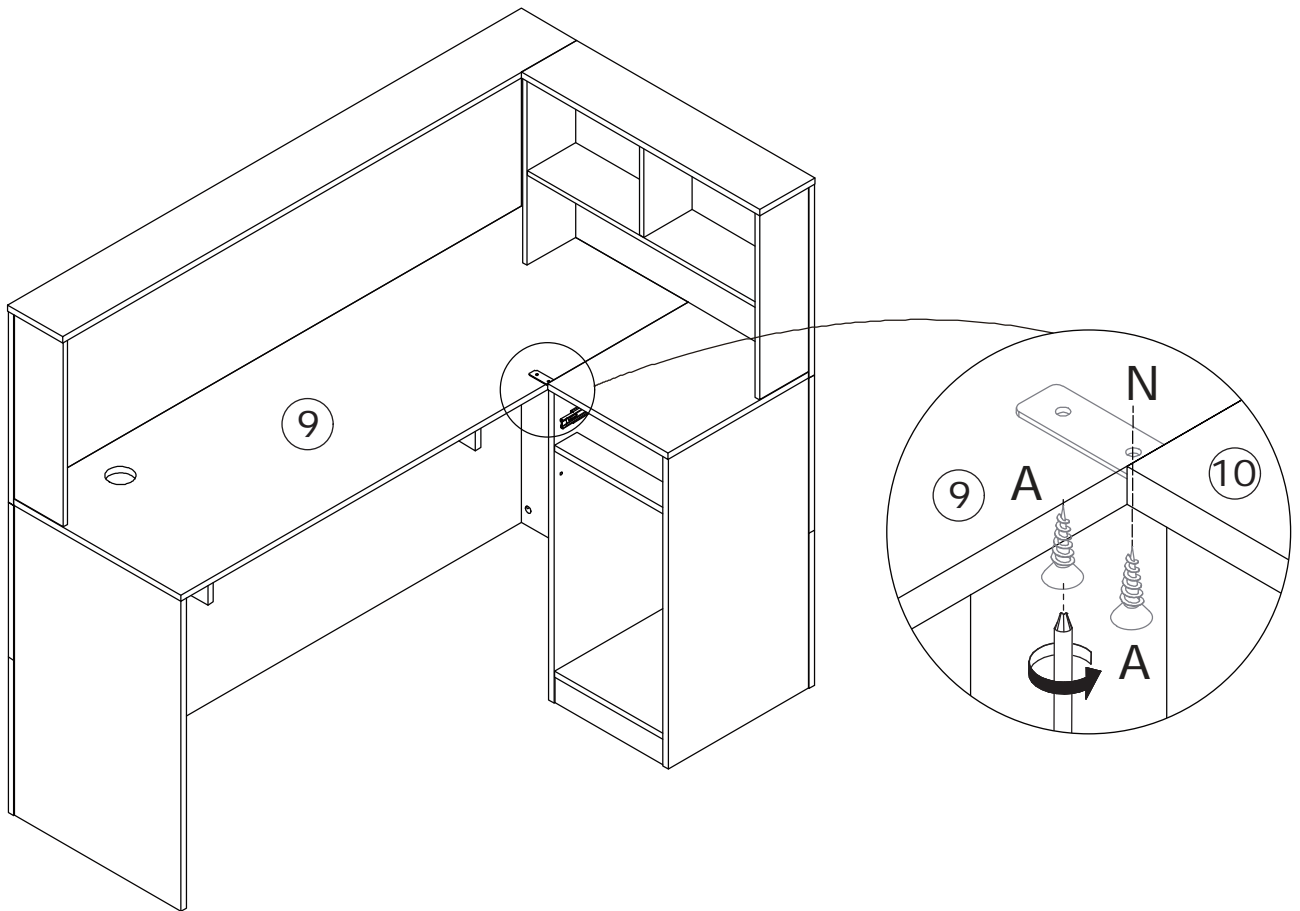
A x 2



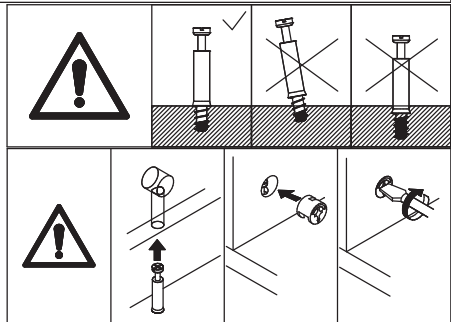
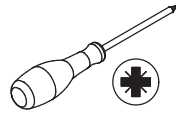
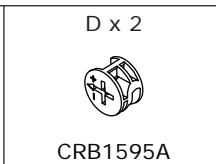
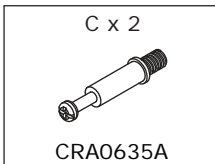
CRD3512A



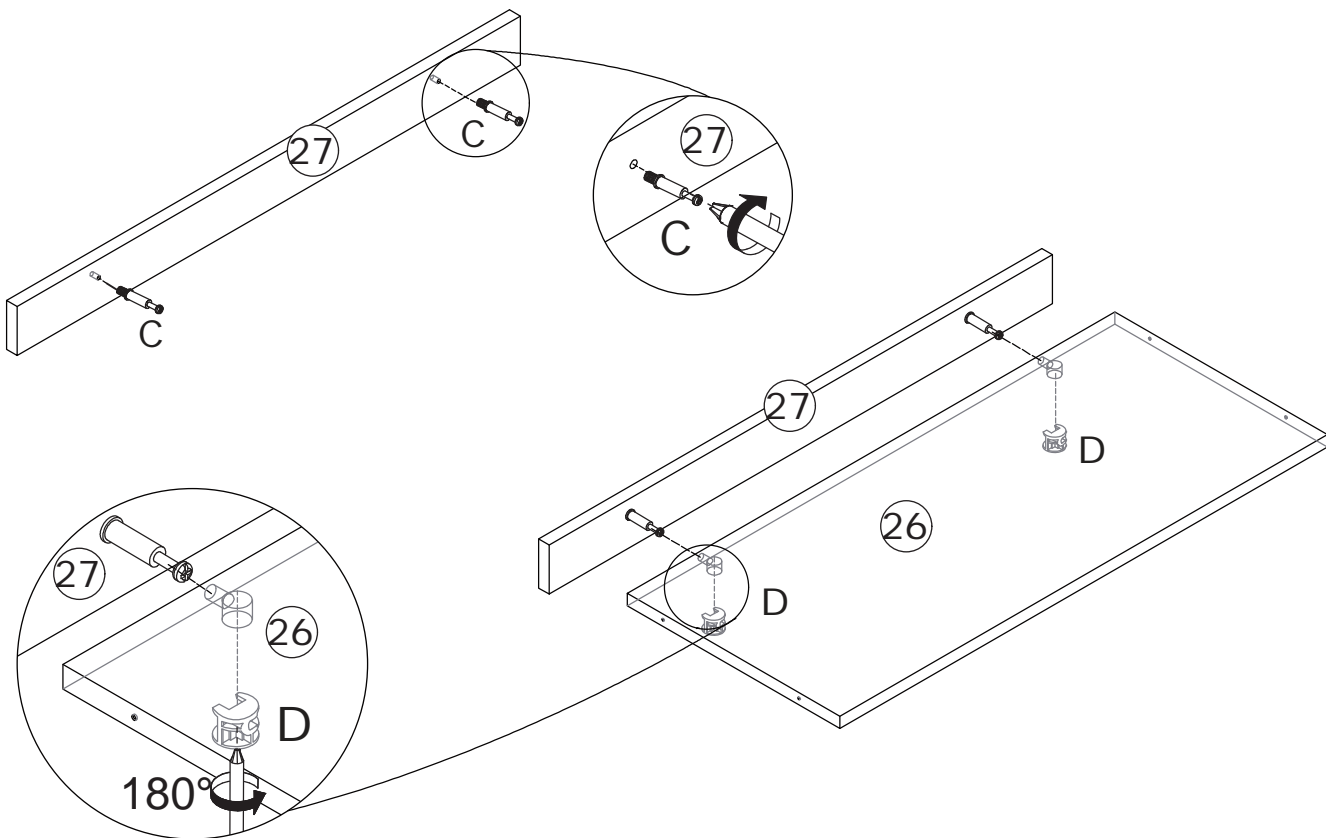
Fix part(N) to plate 9 with screw(A) as shown.



20

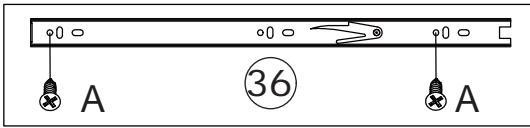
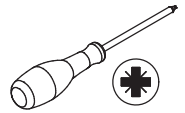


Screw eccentric rod(C) into plate 27 at first. Attach plate 27 to 26, add cam lock(D) into and turn clockwise to tighten as shown.

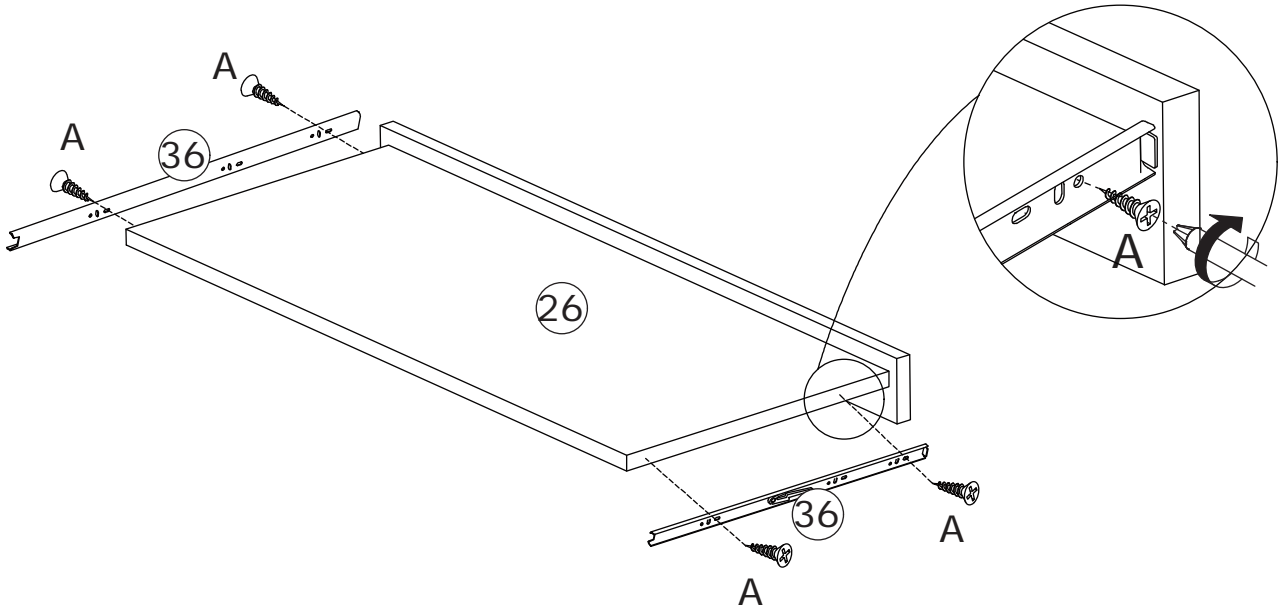


21

A x 4
CRD3512A

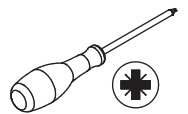


Fix track 36 to plate 26 with screw(A) as shown.

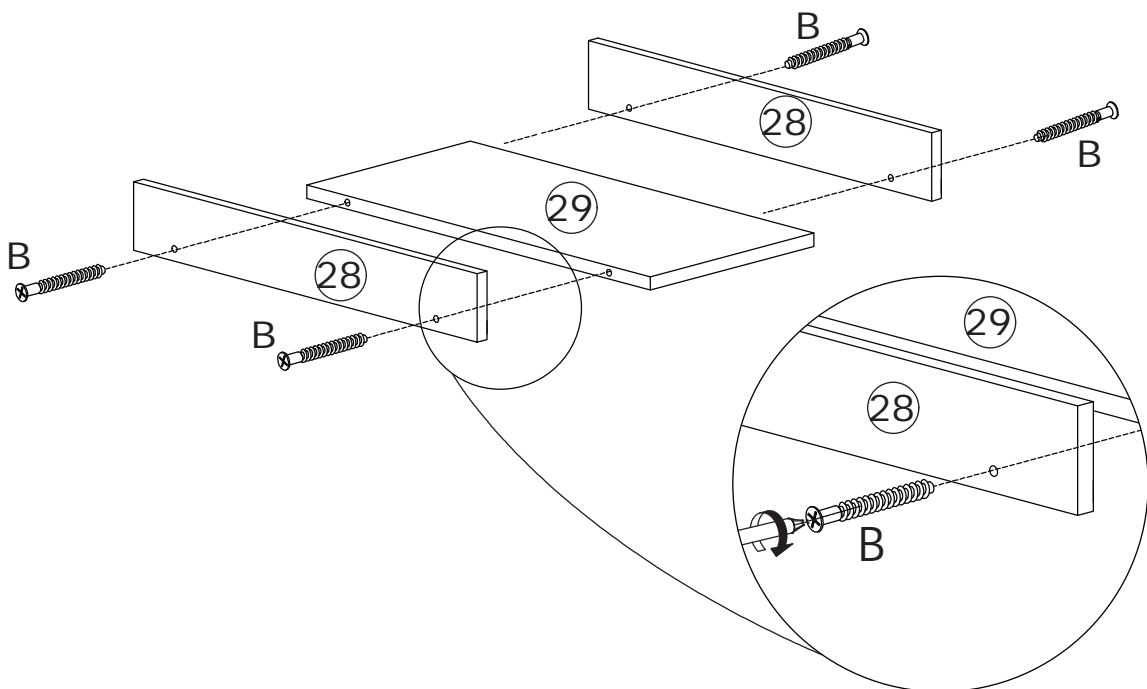


22

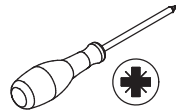
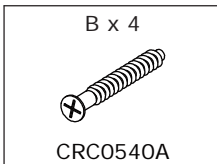
B x 4
CRC0540A



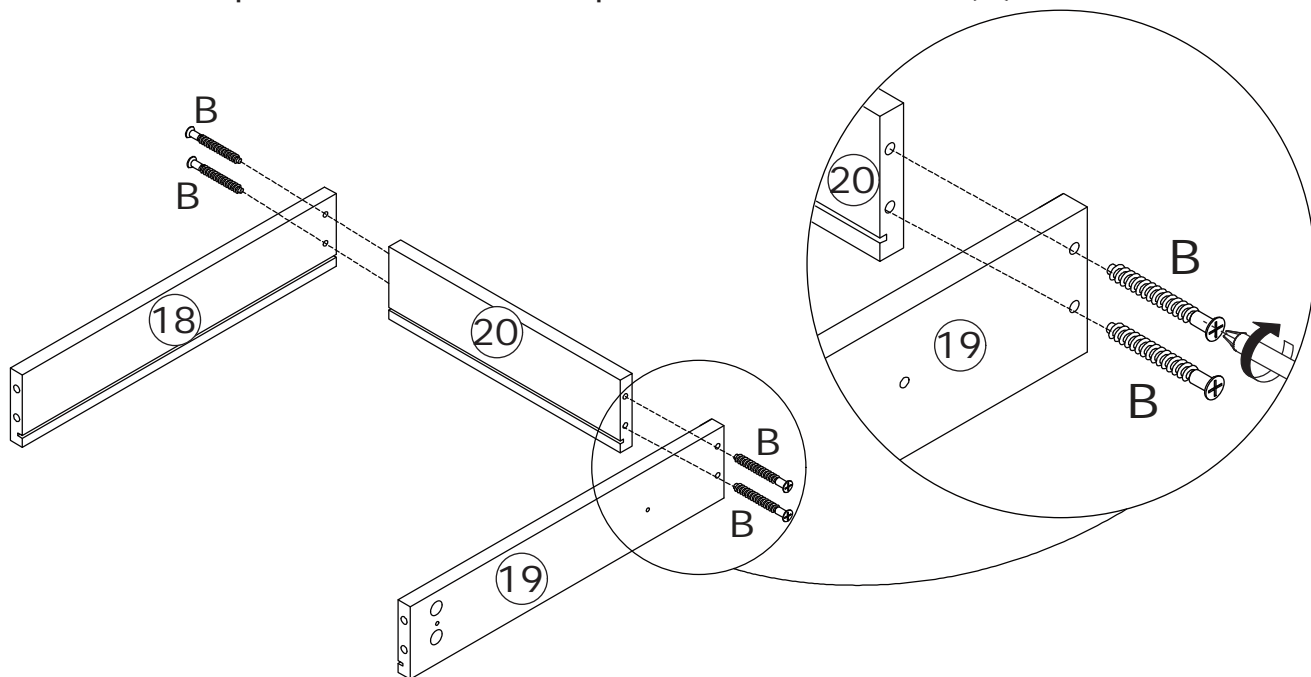
Fix plate 28 to 29 using screw(B) as shown.



23

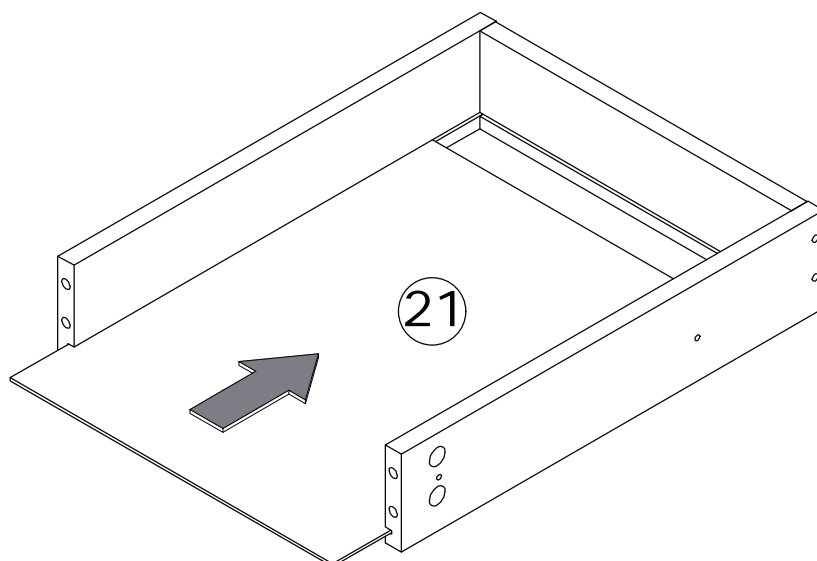


Fix plate 18 and 19 to plate 20 with screw(B) as shown.

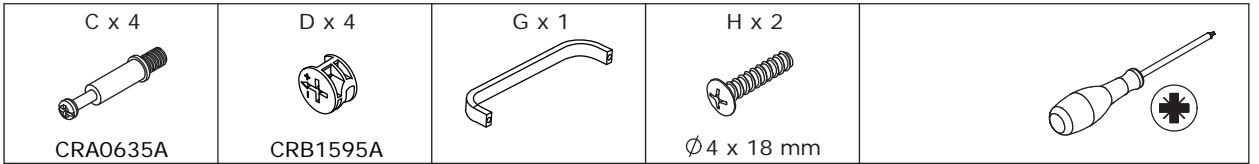


24

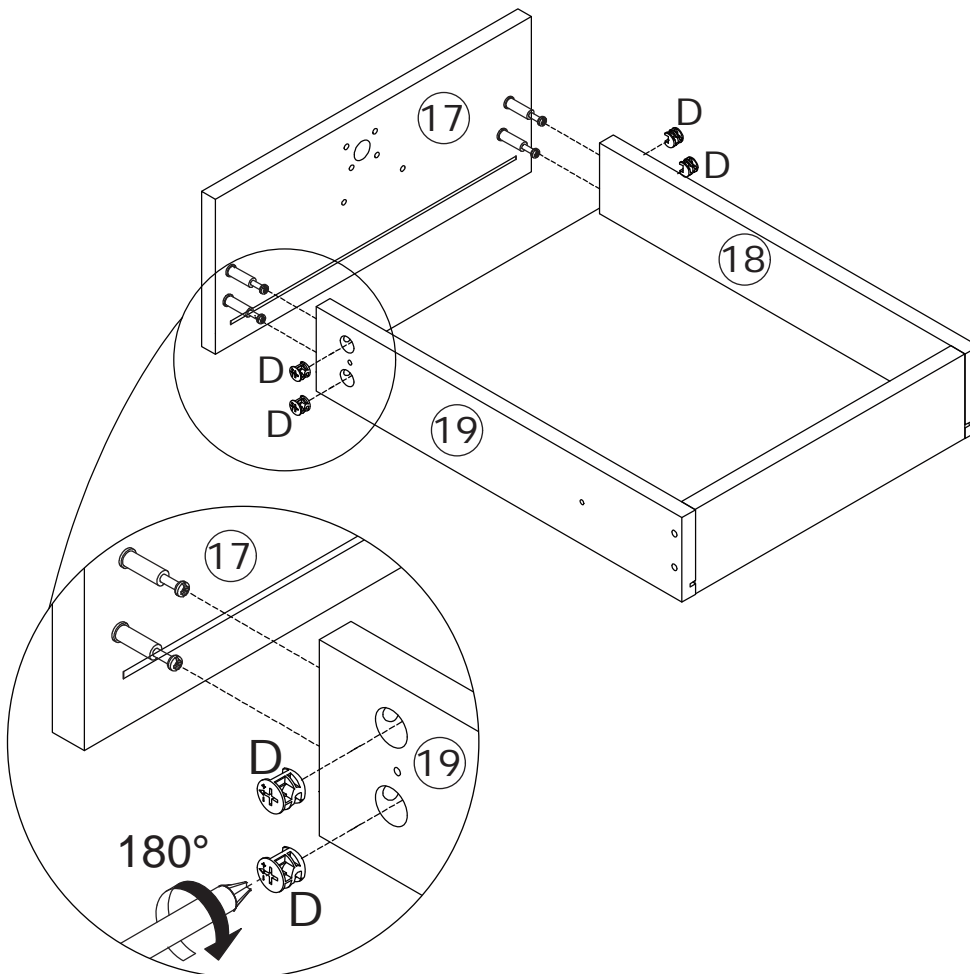
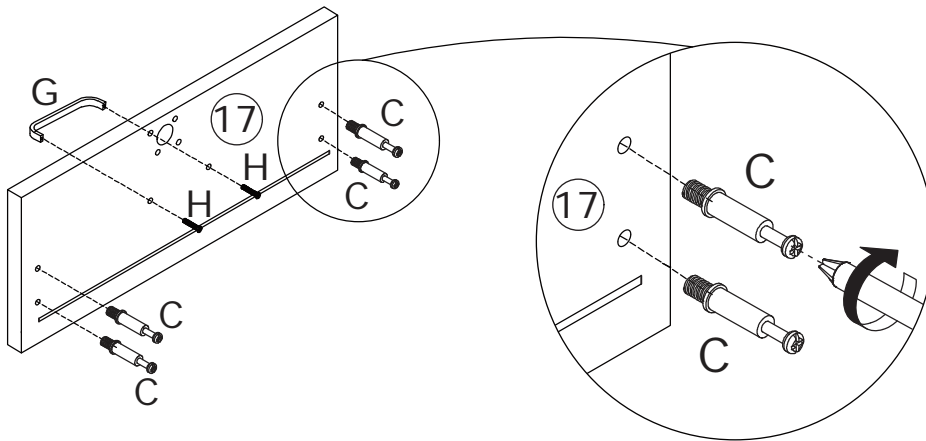
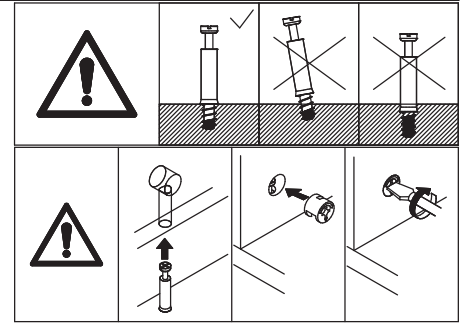
Slide plate 21 into available slots as shown.



25



Screw eccentric rod(C) to plate 17 at first.
Fix handle(G) with screw(H) as shown.
Attach plate 17 to the component and turn
cam lock(D) clockwise to tighten as shown.

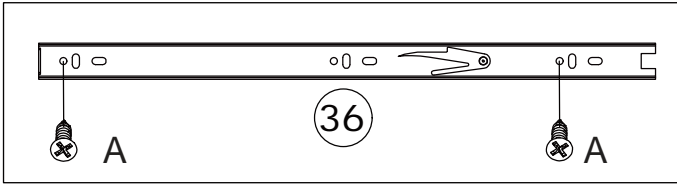
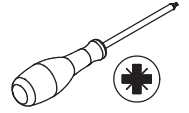


26

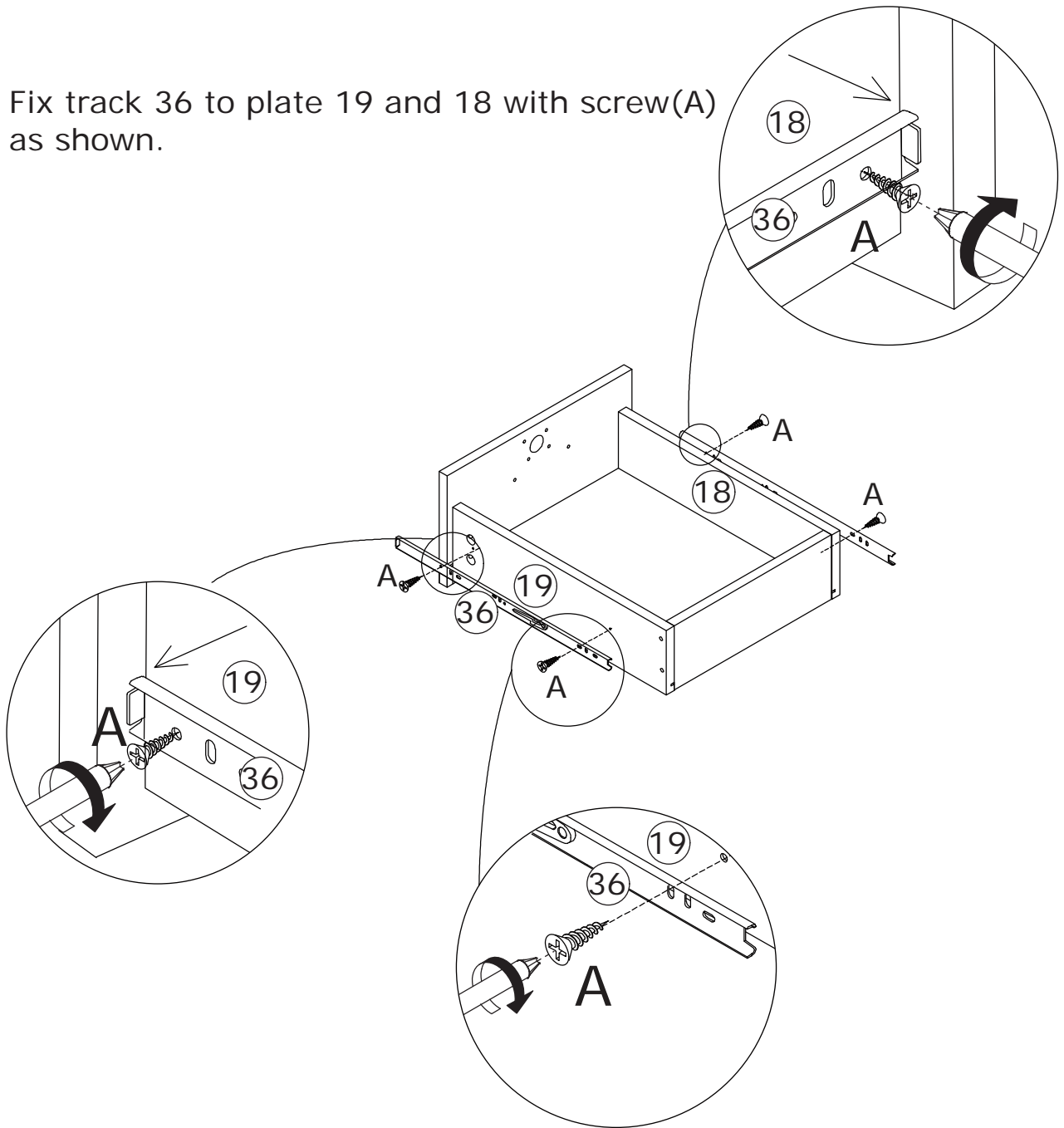
A x 4



CRD3512A



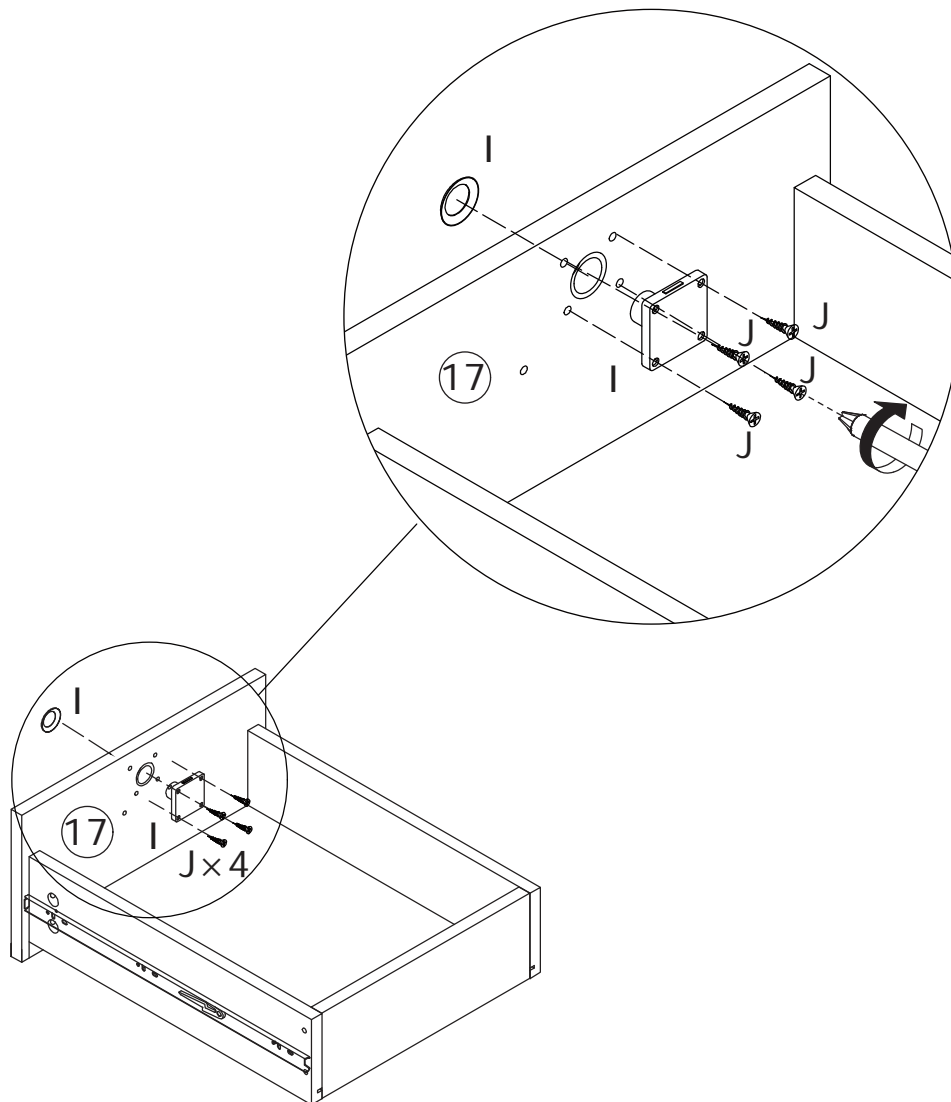
Fix track 36 to plate 19 and 18 with screw(A) as shown.



27

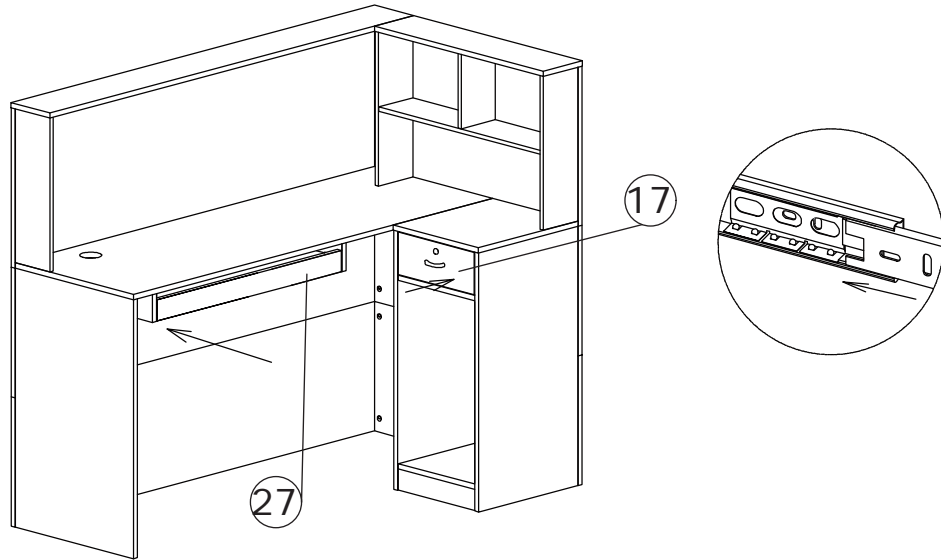


Fix part(I) to the lock hole with screw(J) as shown.

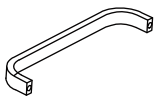

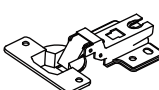

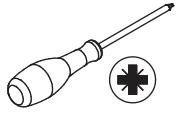


28

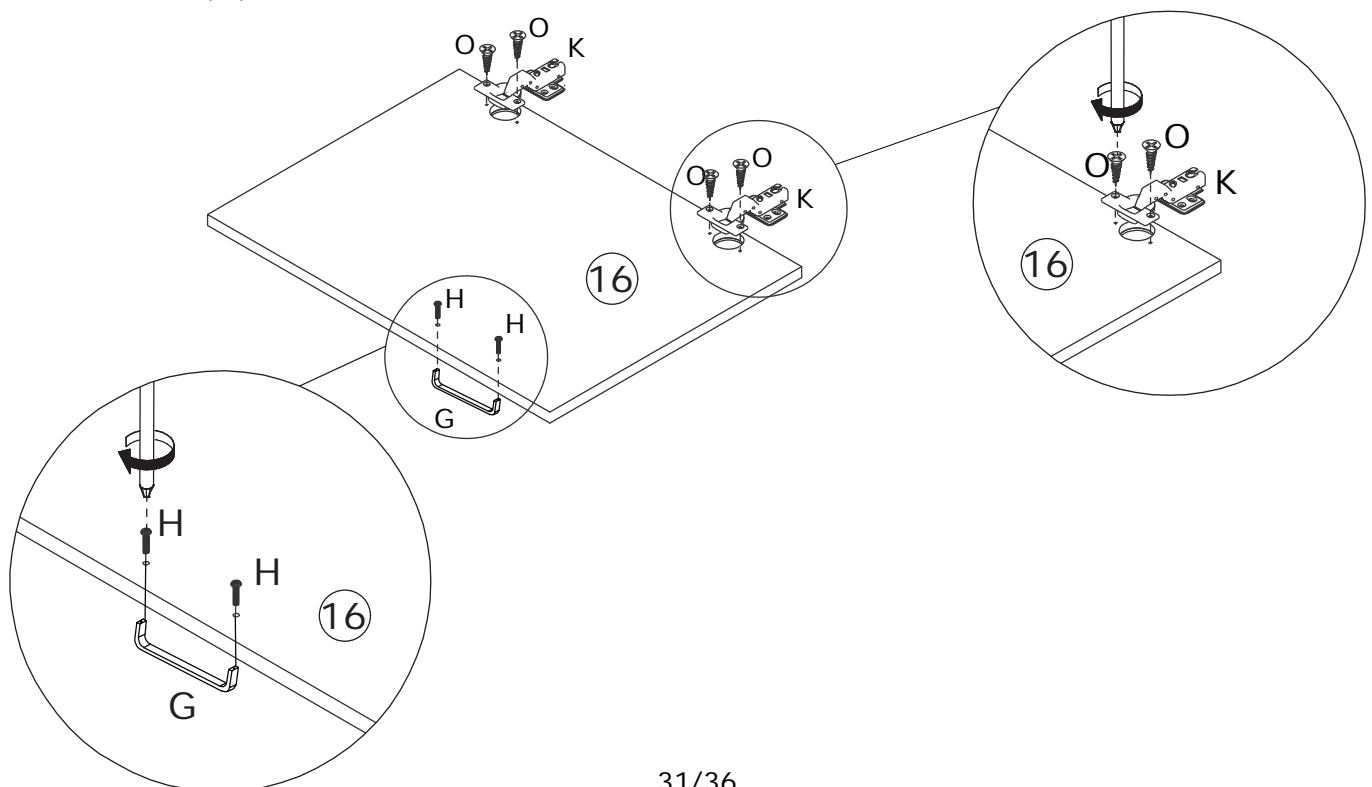
Insert the keyboard tray and drawer along the rails as shown.



29

<p>G x 1</p> 	<p>H x 2</p>  <p>Ø4 x 18 mm</p>	<p>K x 2</p> 	<p>O x 4</p>  <p>CRD3514A</p>	
--	--	--	---	---

Fix hinge(K) to plate 16 with screw(O), fix handle(G) with screw(H) as shown.

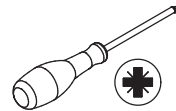


30

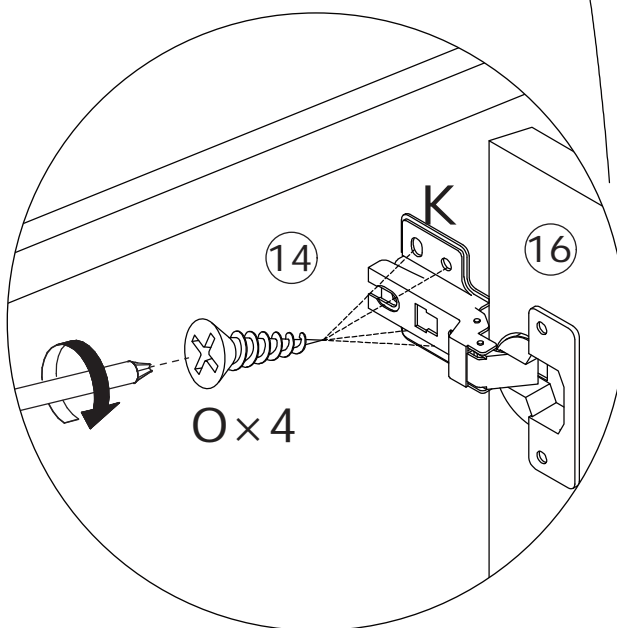
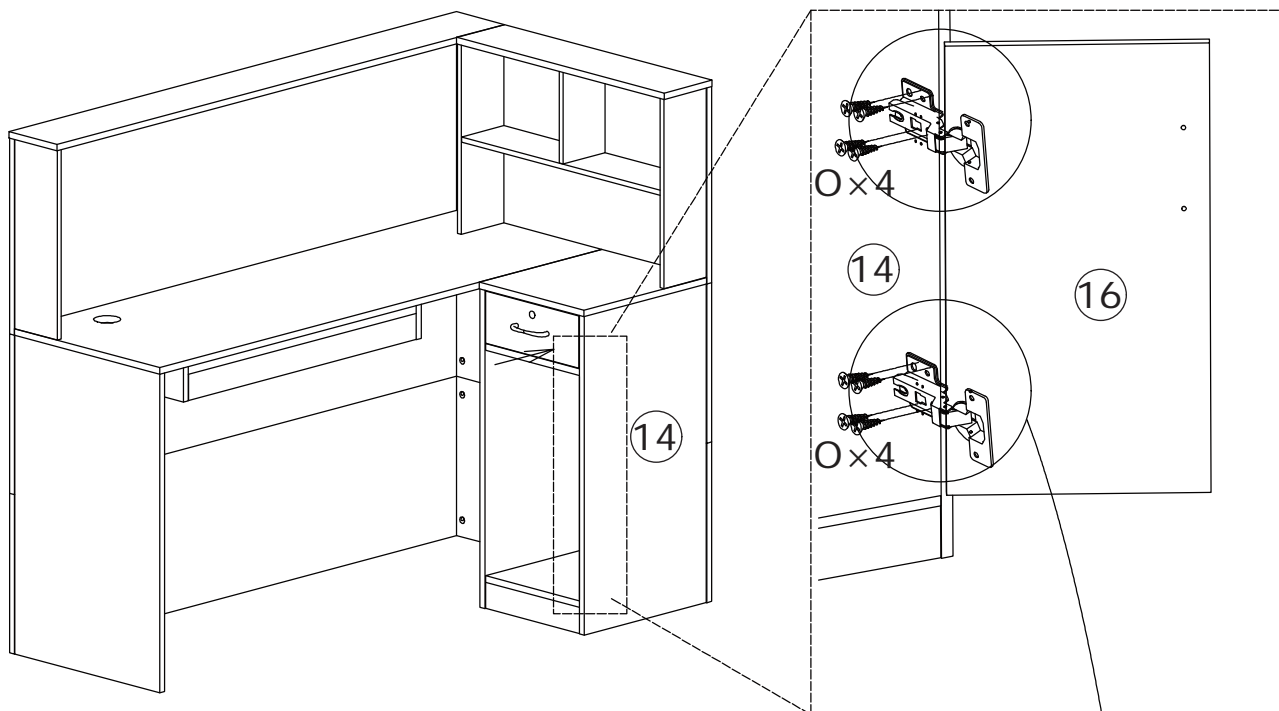
O x 8

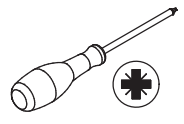


CRD3514A



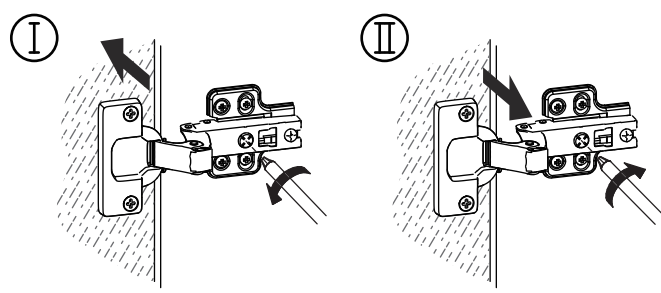
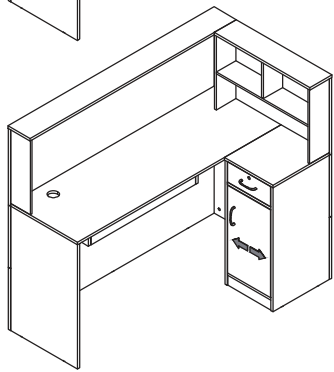
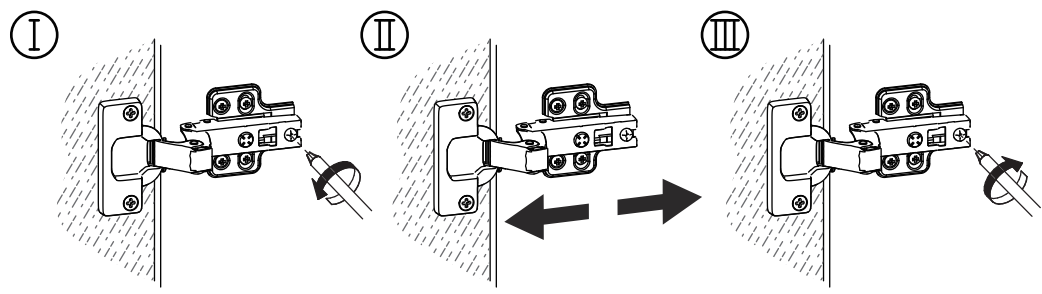
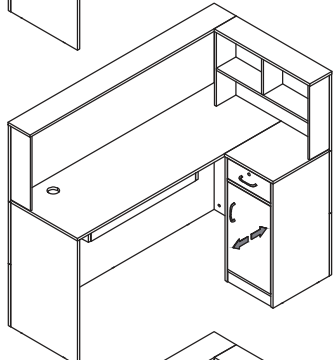
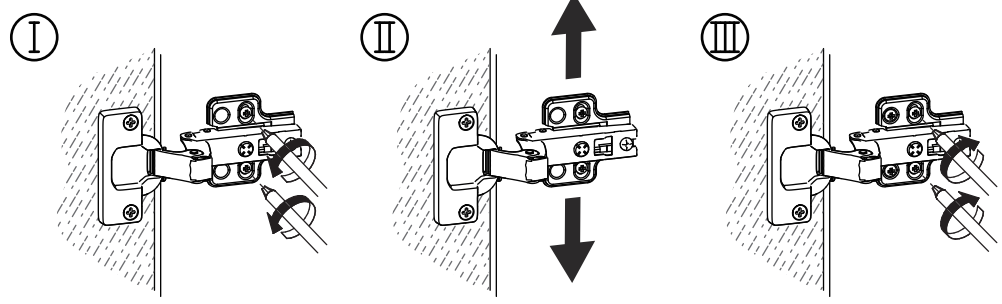
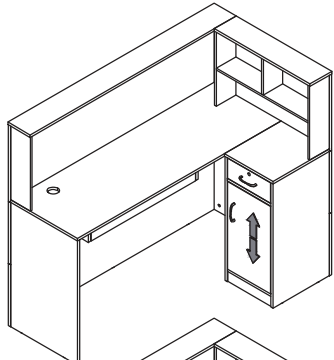
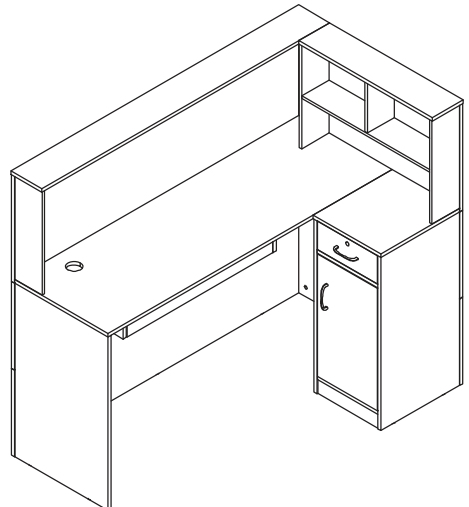
Attach plate 16 to 14 by fixing hinge with screw(O) as shown.



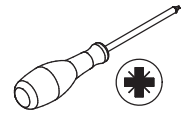
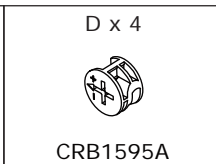
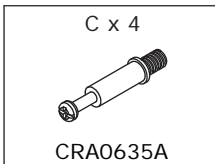


If doors are still not aligned if the hinges are properly correctly, please watch the video.

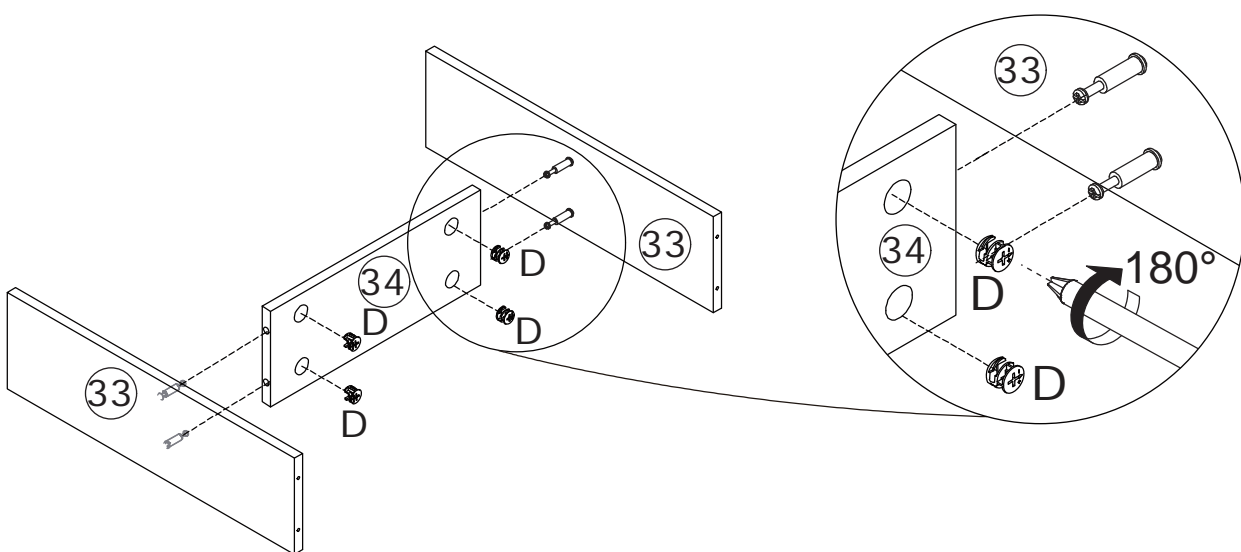
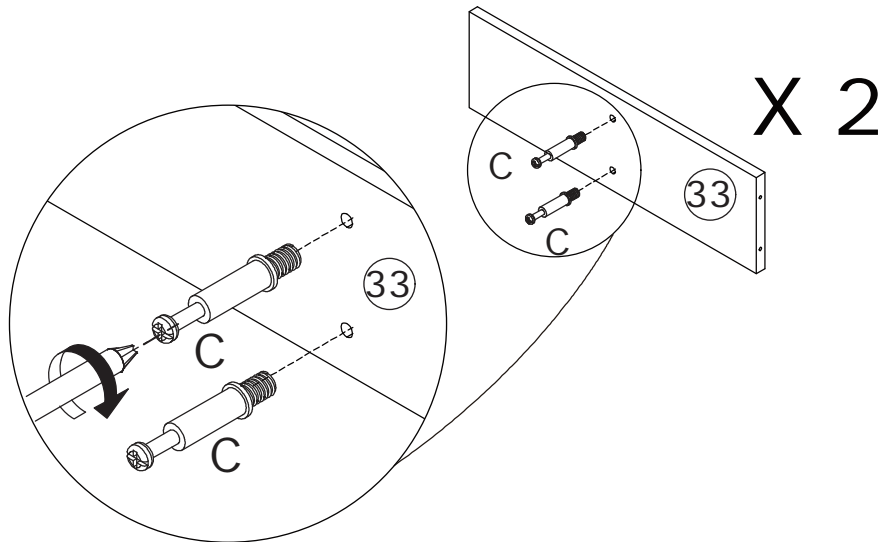
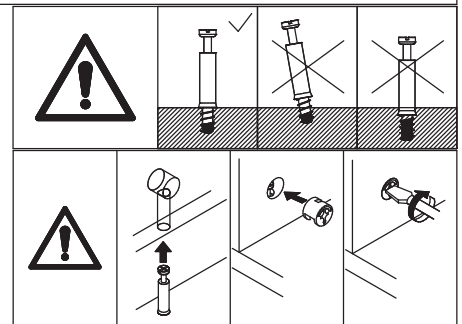
<https://youtu.be/n0Lb36SoODM>



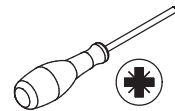
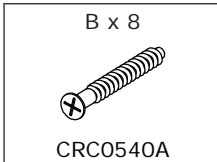
32



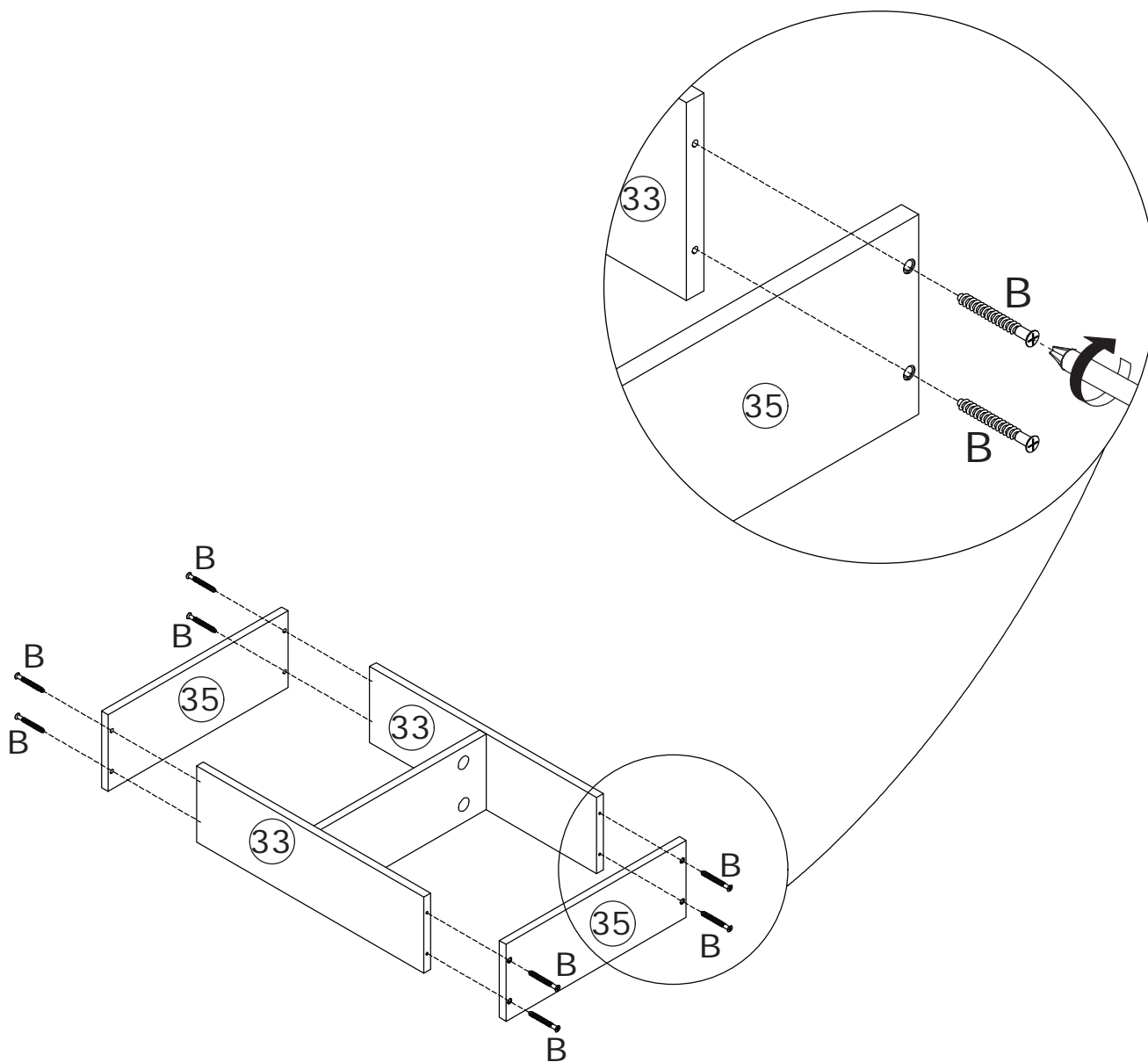
Screw eccentric rod(C) into plate 33 at first.
Attach plate 33 to 34 and turn cam lock(D)
clockwise to tighten as shown.



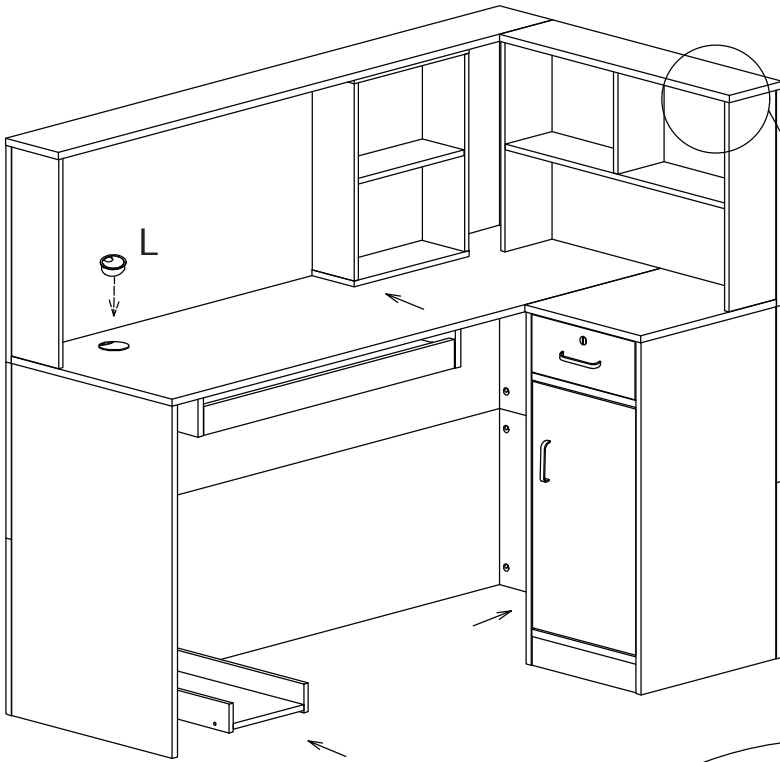
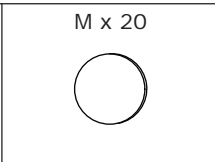
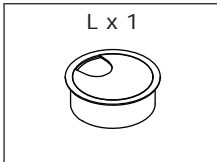
33



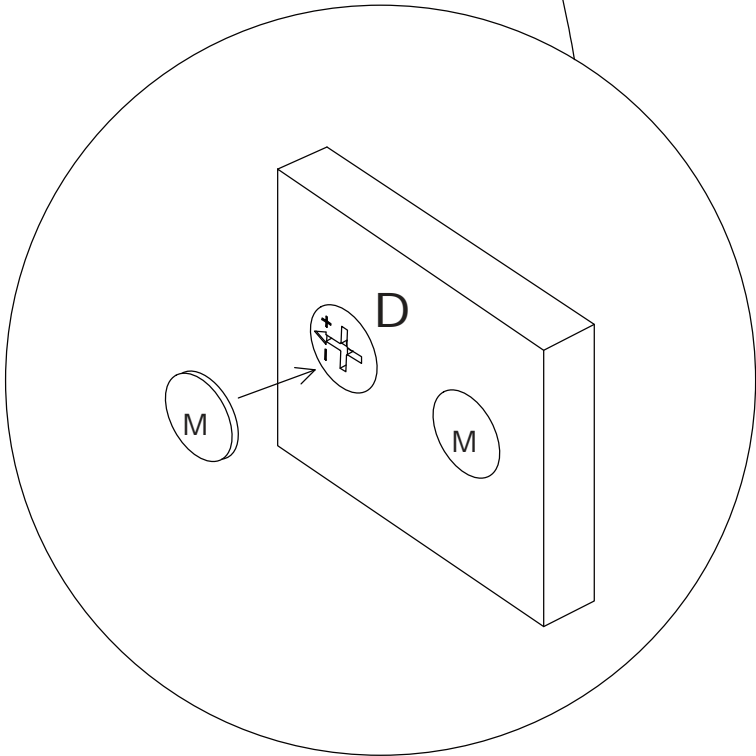
Fix plate 35 to plate 33 with screw(B) as shown.



34



Put wire box(L) in to the hole as shown.
Cover cam lock(D) using part(M) as shown.



WARRANTY

WARRANTY CLAIMS

- There is a 30-day warranty for broken furniture or any other problems that do not work properly. The warranty will start from the date of purchase which must be verified by proof of purchase.
- Before making a claim, we may be able to answer your query, simply call us. Please leave your purchase order number, along with some details of the problem, if you want a replacement part. We will arrange within 48 hours. If there is out of stock, we will reply with a shipping date.
- The product must be used in accordance with the instructions provided. For health reasons.
- For other reasons, if the furniture needs to be returned, it must be cleaned and dried and operated within 30 days of receipt.

Type of Warranty Claim

- Failure to follow the furniture instructions will invalidate the warranty. Attention please.
- Does not include damage during installation, but includes damage during transportation.

Scope of responsibility

- Shall not bear any responsibility for misuse or user damage and / or loss of parts during the installation of furniture.
- After using, the damage and scratches of the furniture are not covered by the warranty.

The Warranty Relates to All Bought in The Us and Covers The Following Areas

- Sheet parts: 1 month from the date of purchase.
- Electrical parts: 1 month from the date of purchase.

RETURNS

CHANGED YOUR MIND AND NEED TO RETURN YOU ITEM?

PLEASE FOLLOW THE BELOW INSTRUCTIONS:

- If you have purchased and have simply changed your mind, follow the retailer's instructions for returns.

DEFECTIVE ITEMS

- If your item is defective in any way, i.e. it doesn't work but you can't identify why, in the first instance, please call us.

DAMAGED ITEMS

- If you receive an order with obvious shipping damage from the retailer, then we suggest the delivery is refused. If the delivery has been accepted and then shipping damage is found, please follow the specific instructions advised by the retailer.
In all circumstances please save all packaging material and paperwork for the order. Please be aware that if you dispose of packaging material or attempt to return the merchandise without contacting the fulfiller, you jeopardise your chances of making a claim, and you may not receive a credit for the return.

AFTER-SALES CONTACT

