












Packing List of Box A

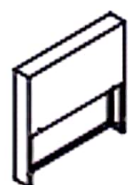
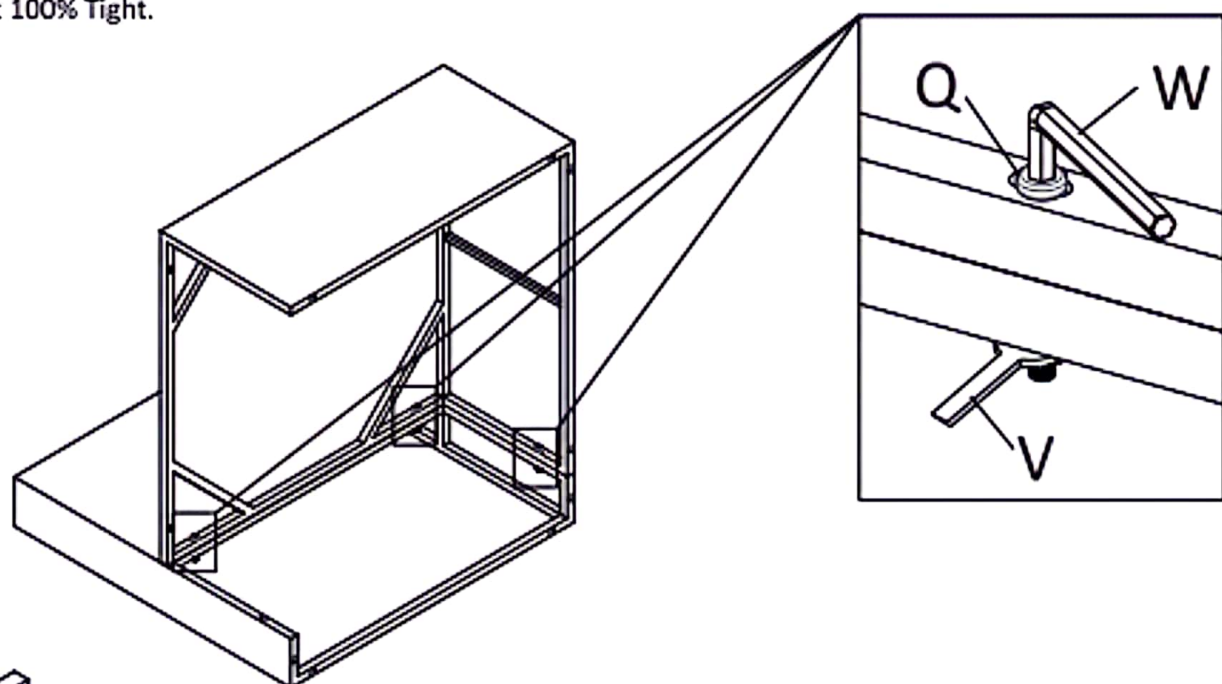
| Box | Img | Part Name | Label No. | Qty |
|-------|---|------------------------------|-----------|-----|
| Box A |  | Middle Sofa Seat Part | A | 2 |
| |  | Middle Sofa Back Part | B | 2 |
| |  | Middle Sofa Side Part | C | 2 |
| |  | Coffee Table Top | D | 1 |
| |  | Coffee Table Side Part | E | 1 |
| |  | Coffee Table Glass Top | GLS | 1 |
| |  | Coffee Table Connector | F | 1 |
| |  | Long Back Cushion With Cover | LBCC | 2 |
| |  | Seat Cushion With Cover | SCC | 2 |
| |  | High L-Shaped Feet | O | 12 |
| |  | U-Shaped Connector | U | 4 |
| | - | Instructions | - | 1 |
| | - | Screw Set | SSA | 1 |

Middle Sofa



Do not use machine Two Persons together Need 20min roughly

Tips: Do not 100% Tight.



B x 1



A x 1



M6x50(Q) x 3

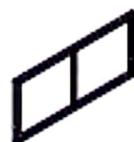
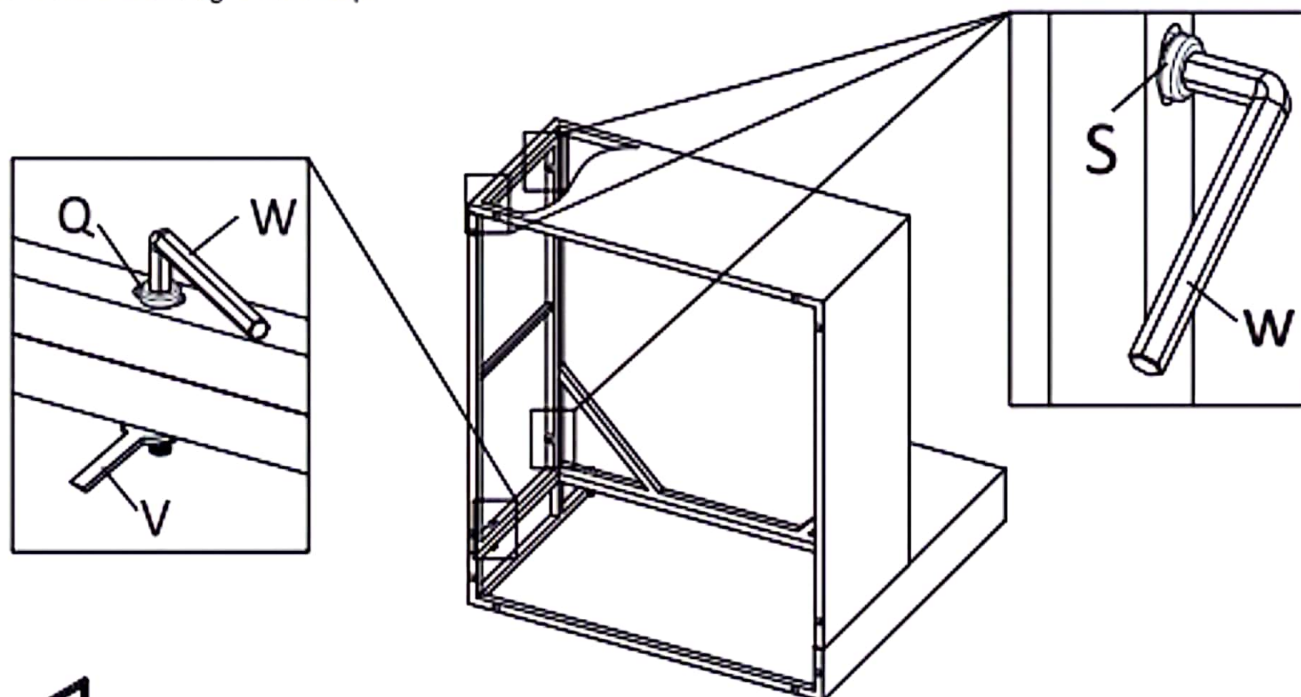


Wrench(V) x 1



Spanner(W) x 1

Tips: Screws 100% Tight This Step



C x 1



M6x50(Q) x 1



M6x30(S) x 3



Wrench(V) x 1

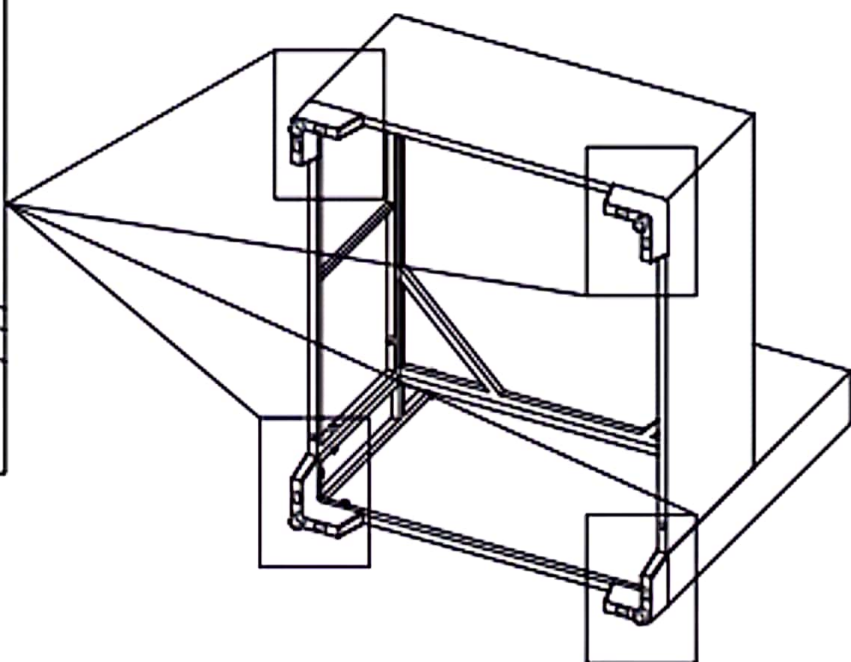
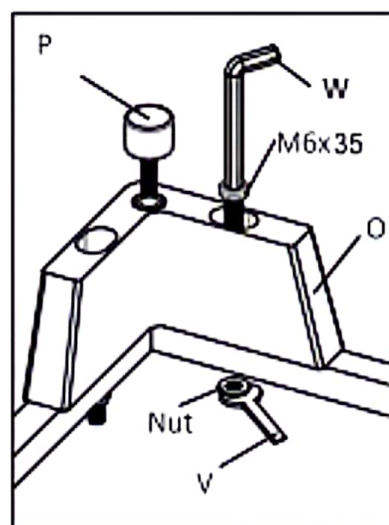


Spanner(W) x 1

Middle Sofa



Do not use machine Two Persons together Need 20mins roughly



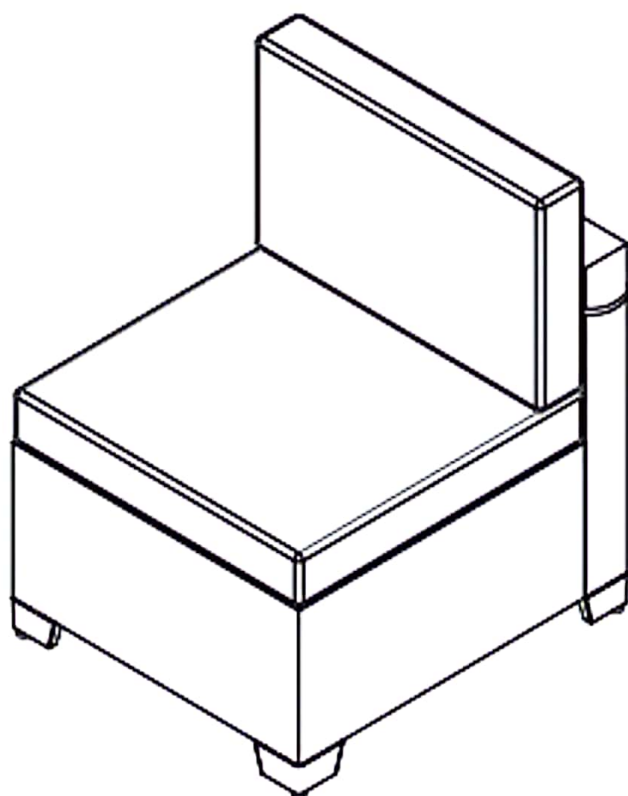
High L-Shaped Feet x 4

Screw Feet(P) x 4

M6x35x 8

Wrench(V) x 1

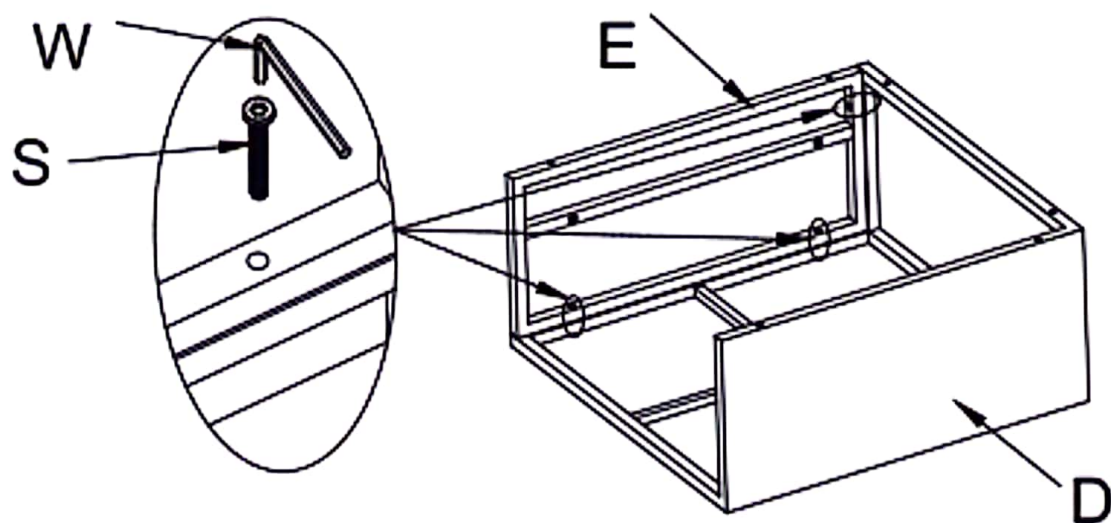
Spanner(W) x 1



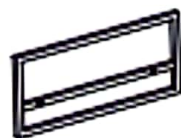
Coffee Table



Do not use machine Two Persons together Need 25mins roughly



D × 1



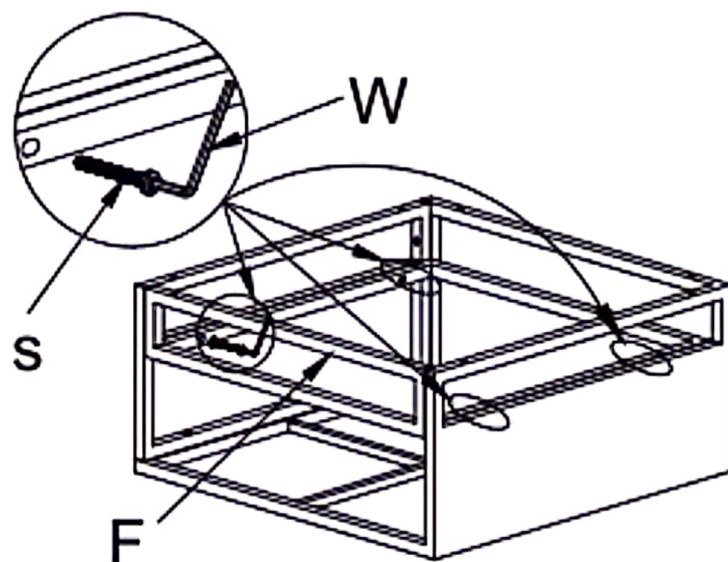
E × 1



M6*30 (S) × 3



Spanner(W) x 1



F × 1



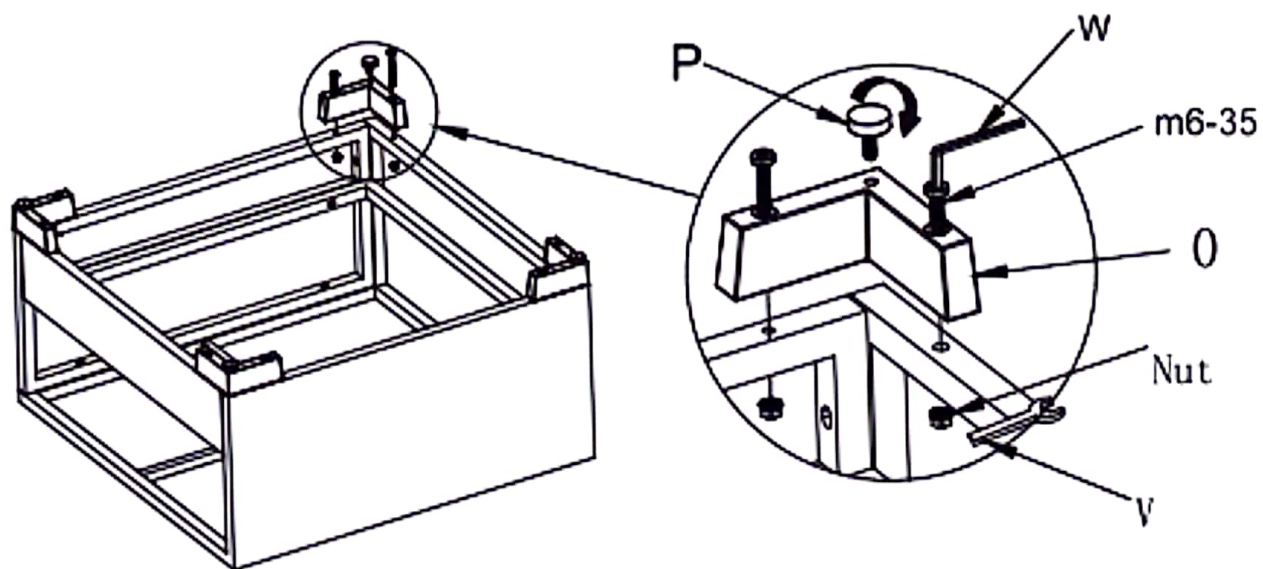
M6*30 (S) × 4



Spanner(W) x 1

Coffee Table

Do not use machine Two Persons Together Need 25mins roughly



M6*35×8



Spanner (W) x 1



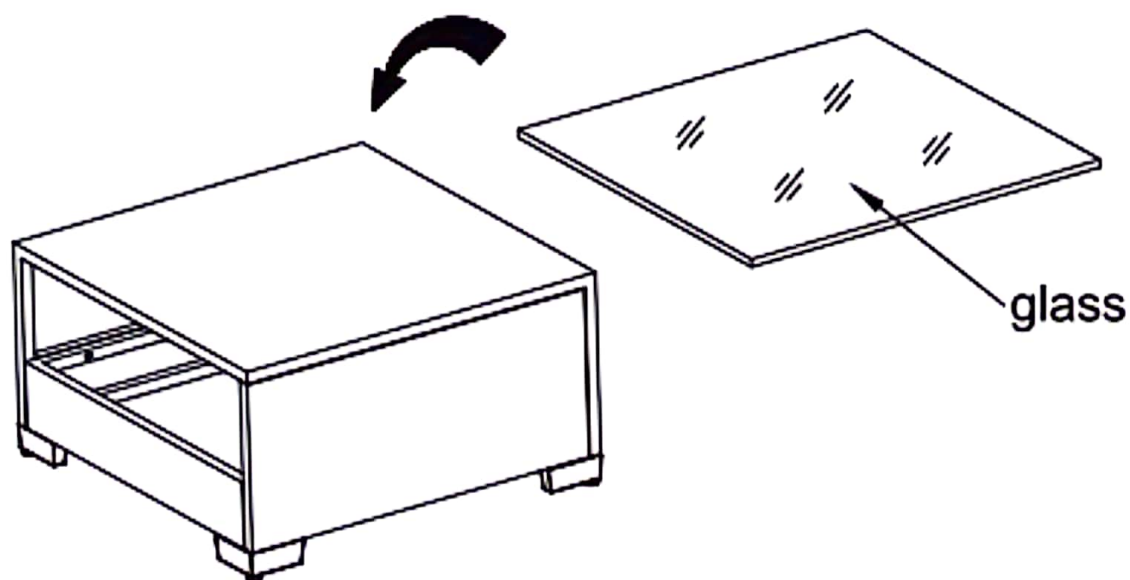
Wrench(V) x 1



High L-Shaped Feet x 4

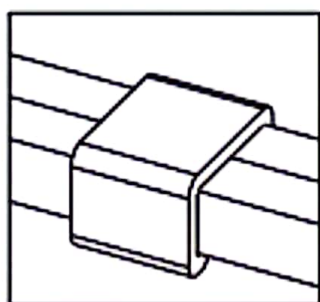
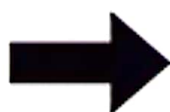
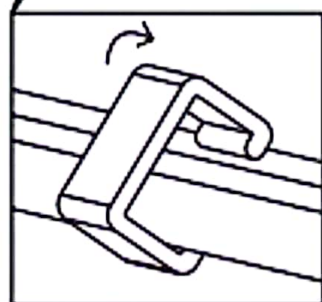
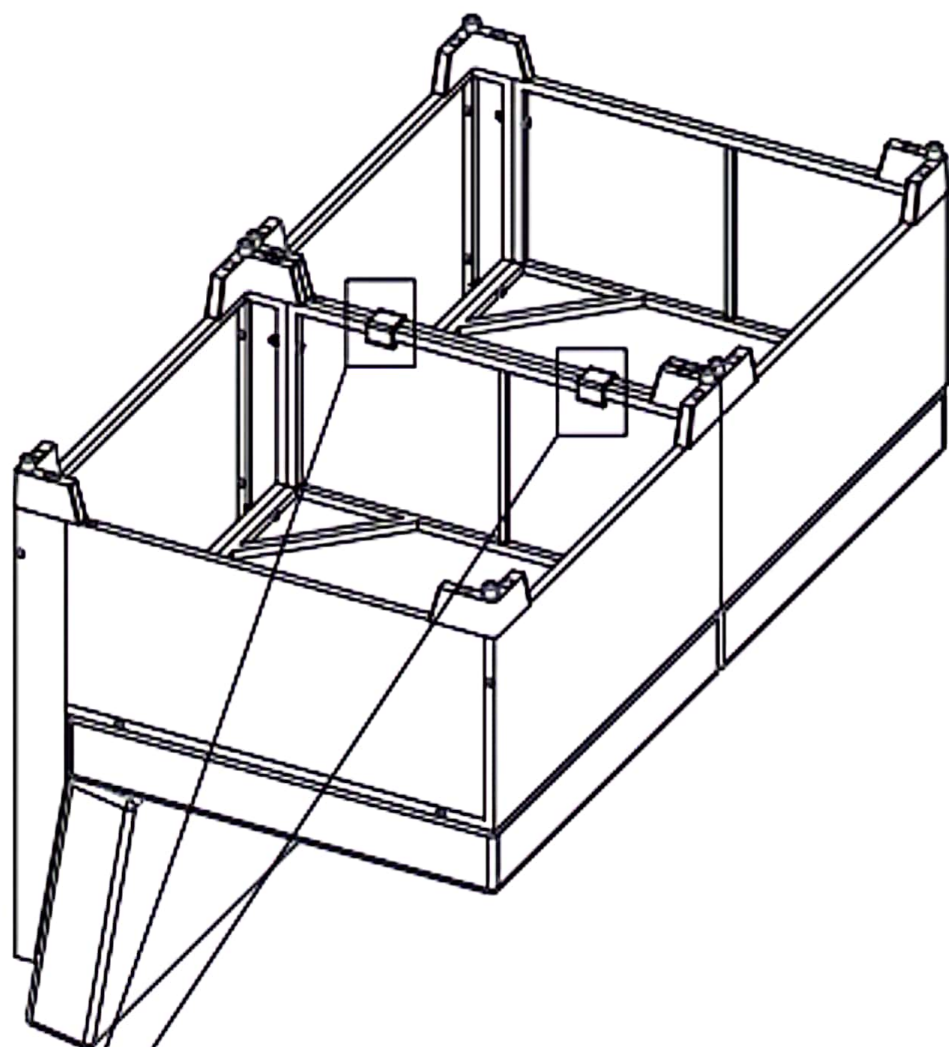


Screw Feet(P) x 4



Coffee Table Glass Top × 1

U-Shaped Connector



Notice:
Do not use tools such as hammers;
You can scald it with hot water to soften it.

Velcro installation



Do not use machine



Two Persons together



Need 20min roughly

Step 1: Tuck the prickly tie out of the seam at the bottom of the sofa. Pull out the prickly tie from the surface of the sofa to spread out and adjust to the right position.

