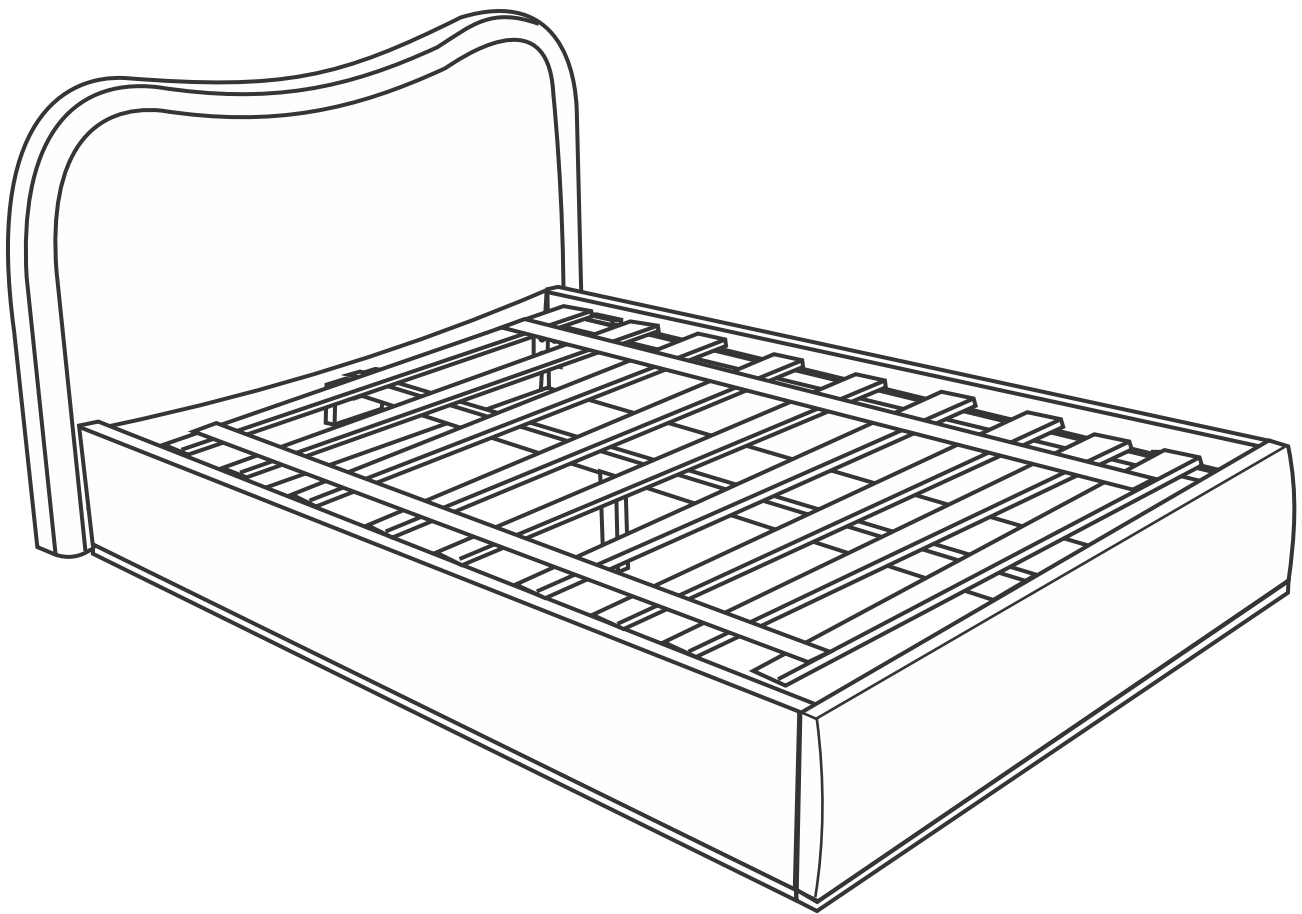
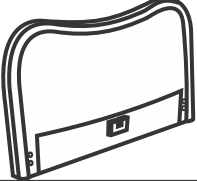



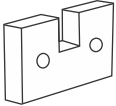

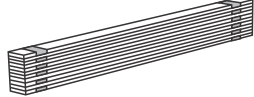



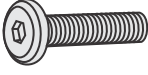




# Assembly Instruction Julia Bed



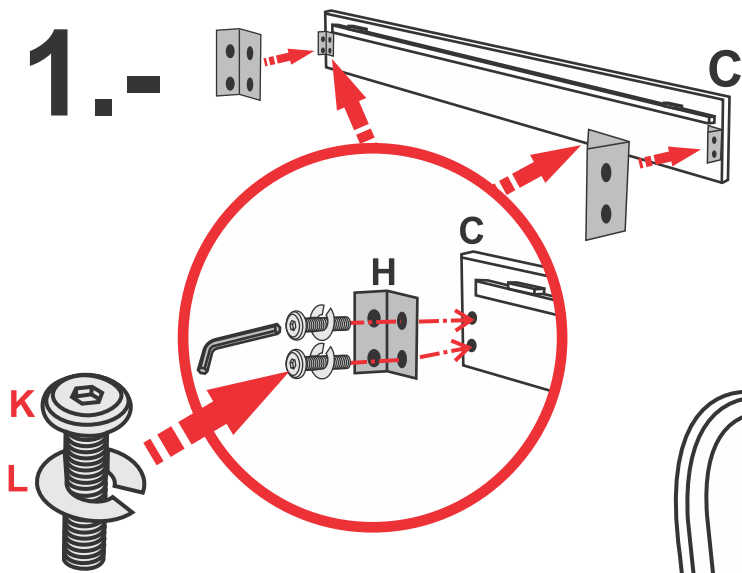
# Assembly Instruction Julia Bed

## Hardware List

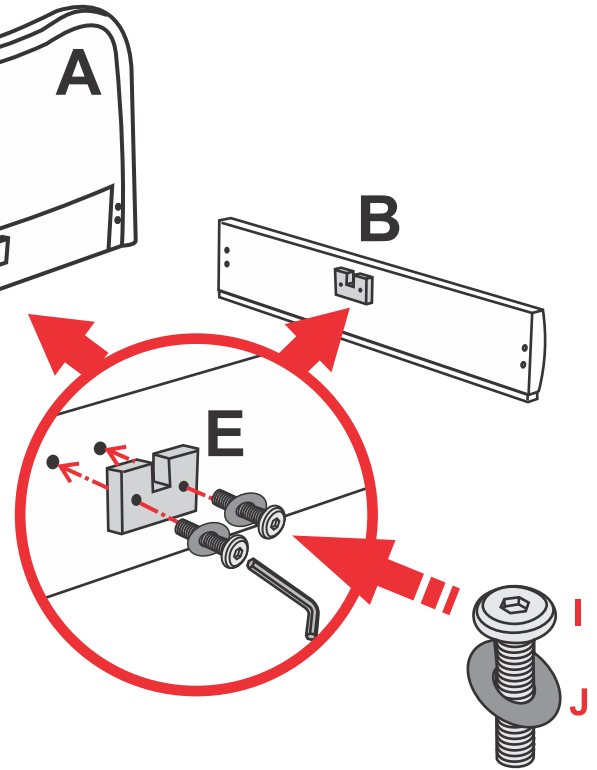
<b>A</b>		Headboard	<b>1</b>
<b>B</b>		Footboard	<b>1</b>
<b>C</b>		Stringers	<b>2</b>
<b>D</b>		Central Leg	<b>1</b>
<b>E</b>		Center support	<b>2</b>
<b>F</b>		Center beam	<b>1</b>
<b>G</b>		Wood	<b>10</b>
<b>H</b>		Bracket	<b>4</b>
<b>I</b>		Bolt 1/4" x 2 1/2" In.	<b>4</b>
<b>J</b>		Flat Washer 1/4" In.	<b>4</b>
<b>K</b>		Bolt 1/4" x 1 1/2" In.	<b>16</b>
<b>L</b>		Split Lock Washer 1/4" In.	<b>16</b>
<b>M</b>		Allen Key	<b>1</b>

# Assembly Instruction Julia Bed

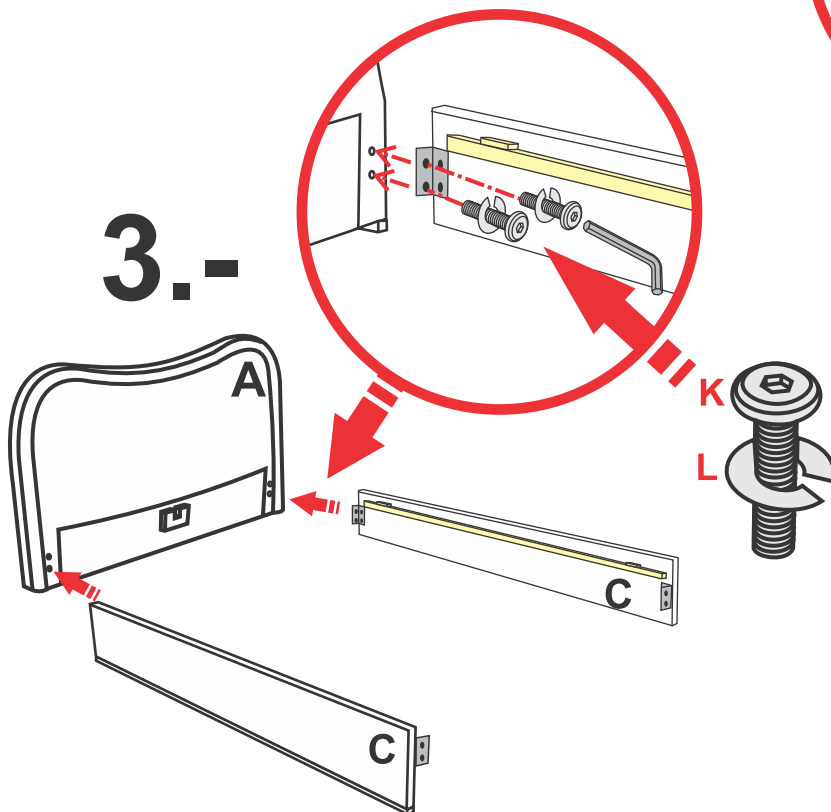
1.-



2.-

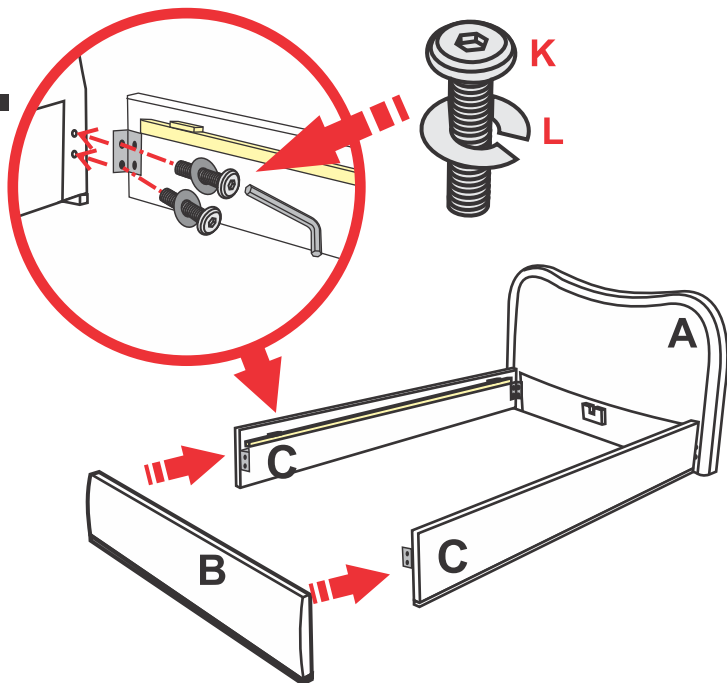


3.-

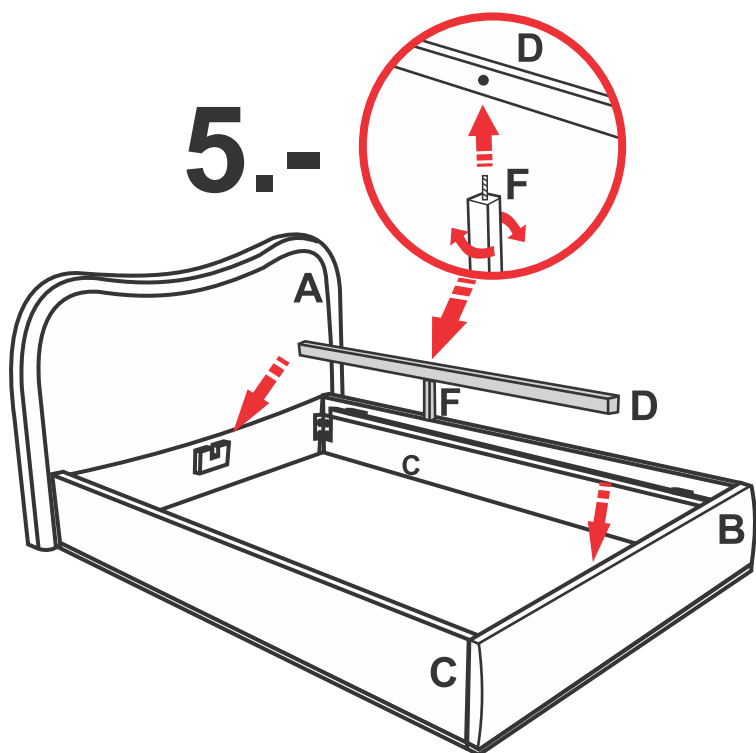


# Assembly Instruction Julia Bed

4.-



5.-



6.-

