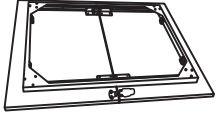


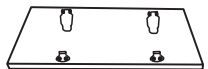


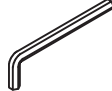




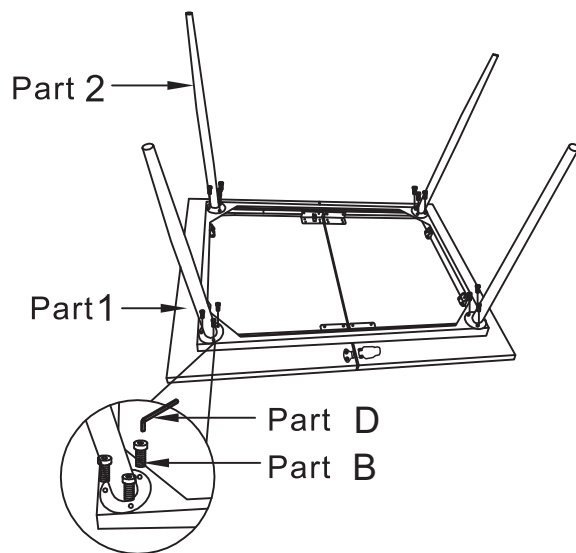
ASSEMBLY INSTRUCTION

PARTS LIST

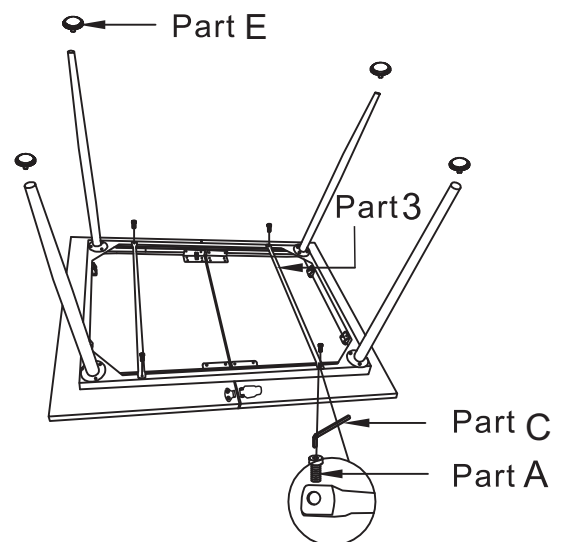
				
Part 1 x1PC	Part 2 x4PCS	Part 3 x2PCS	Part 4 x1PCS	
 M6*13	 M8X10	 M4	 M5	
Part A x 4PCS	Part B x12PCS	Part C x1PC	Part D x 1PC	Part E x4PCS

We provide spare parts for your convenience. Please contact us if you ever need any extras.

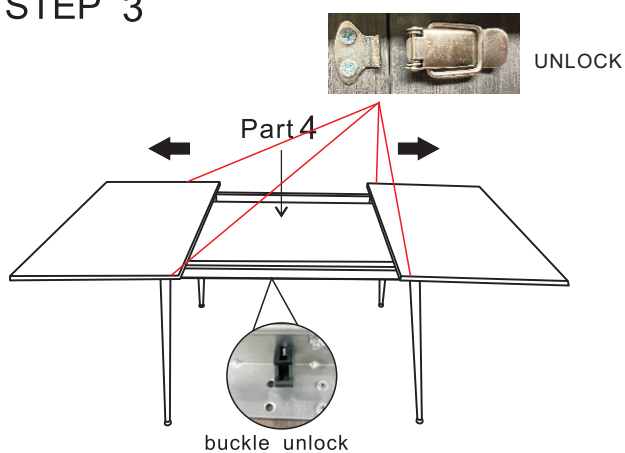
STEP 1



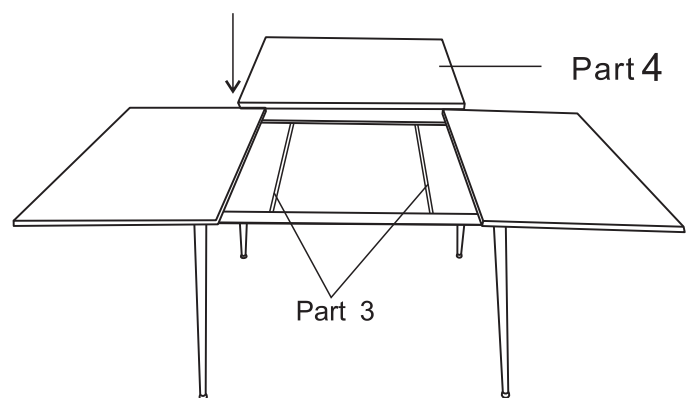
STEP 2



STEP 3

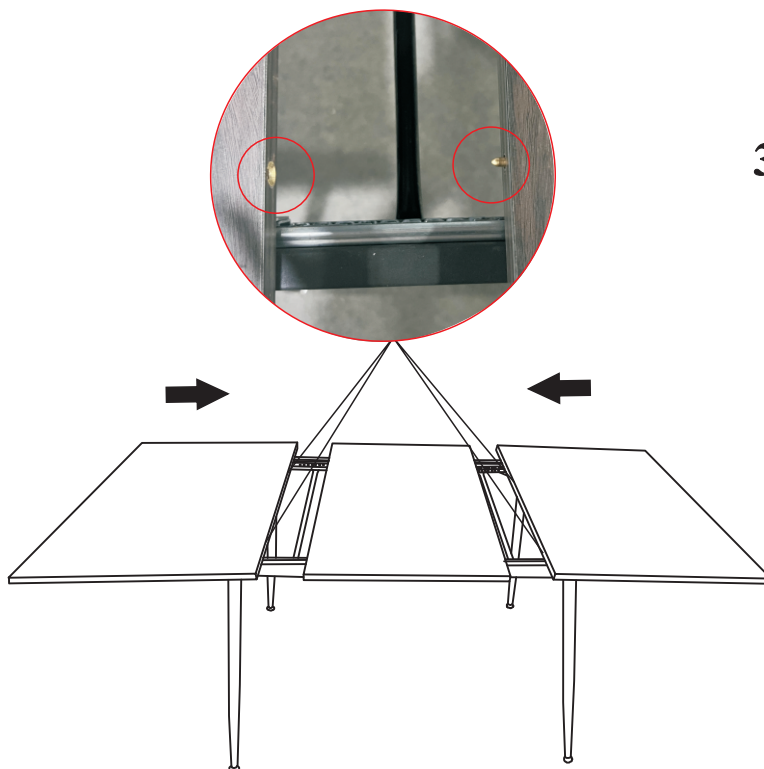


1. To extend the table top, buckle in unlock position.

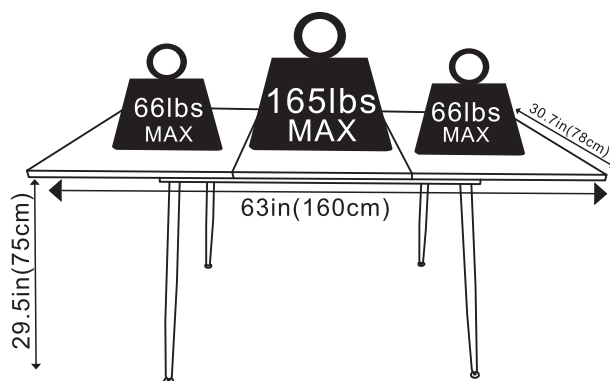
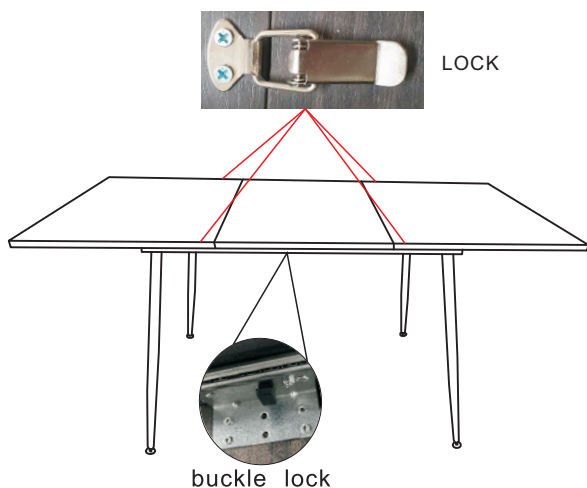


2. Take out Part 4 and place in the middle.

STEP 4



3. Slide in both sides to close the gap in between table tops.



4. Lock the buckle in lock position to secure the table top.



! **5. While lifting up the table, do NOT lift only the table top. Please lift with table legs (after fully assembled)**