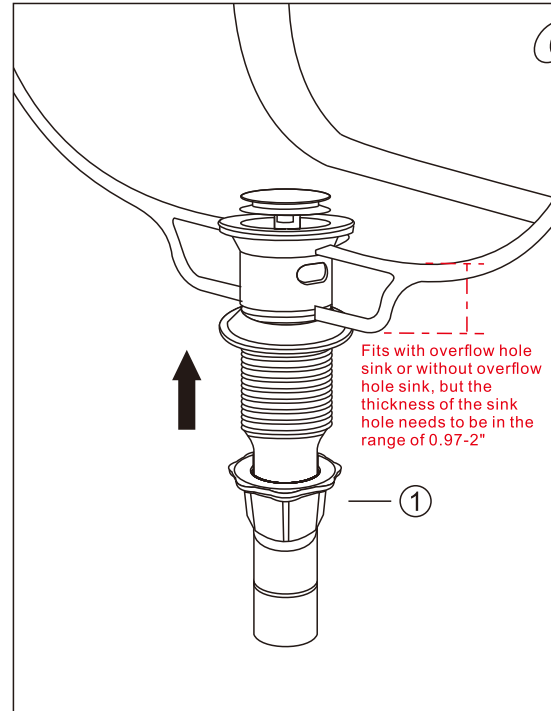


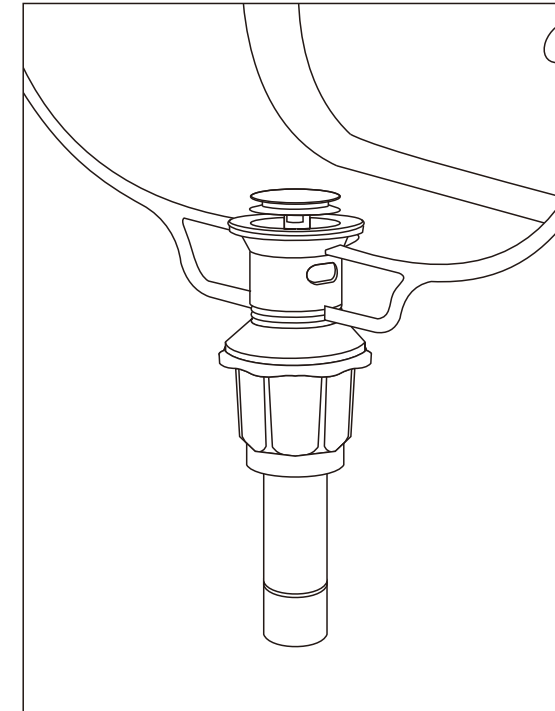
FORIOUS

4. Fasten the locknut to the drain and tighten.



-05-

FORIOUS



-06-

FORIOUS

TROUBLE SHOOTING

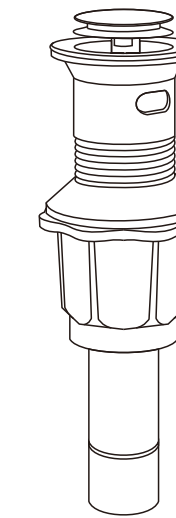
If the drain does not work properly, please take the following corrective actions:

- 1. PROBLEM**
Pop-up stopper sticks and is hard to push down.
CAUSE
The pop-up bolt is jammed.
ACTION
Contact us to replace the pop-up bolt.
- 2. PROBLEM**
The strainer basket and the pop-up stopper aren't straight.
CAUSE
The package may have been damaged during transit.
ACTION
Try straightening the part or contact us for a how-to video guide.
- 3. PROBLEM**
The drain is leaking underneath the sink.
CAUSE
The gasket doesn't seal strong enough.
ACTION
Adjust the gasket or seal around it with the silicone caulk.
- 4. PROBLEM**
There's a leak between the gasket and the locknut.
CAUSE
The gasket doesn't seal strong enough.
ACTION
Remove the locknut and the gasket, then use plumbers tape or silicone caulk on the thread. Check that the gasket is right side up before putting it back on the gasket along with the locknut.
- 5. PROBLEM**
Size is not compatible.
CAUSE
This is made for a standard 1 3/4" drain opening. It fits sink hole with a diameter of 1.55" to 1.9" and sink with a thickness of 1-2".
ACTION
Measure and check the size of your drain before installing. If it's not compatible, put all the items back in the box and return the product to Amazon or contact us.
- 6. PROBLEM**
Drains slowly or water is unable to drain.
CAUSE
Debris is blocking the drain.
ACTION
Check and clean the drain.

-07-



SINK DRAIN INSTALLATION GUIDE

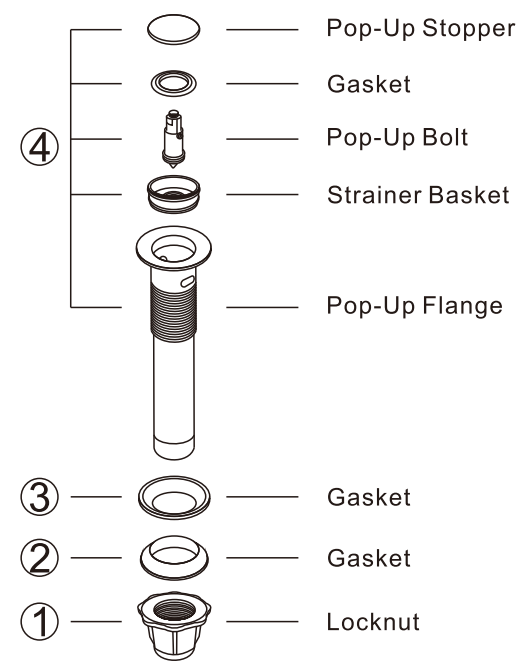


www.forious.com

service@forious.com

FORIOUS

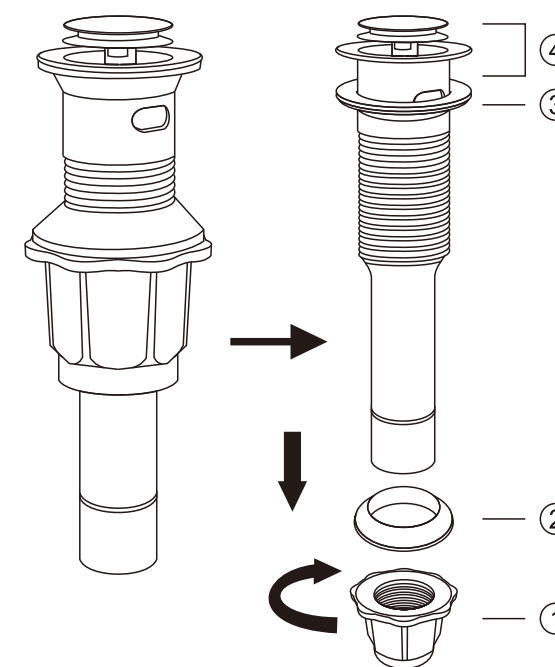
PRODUCT INTRODUCTION



-01-

FORIOUS

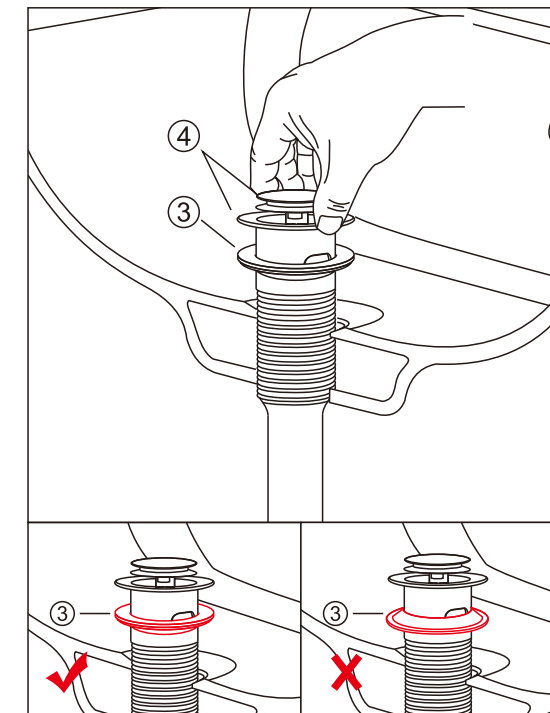
1. Remove locknut ①, gasket ② from the drain body ③.



-02-

FORIOUS

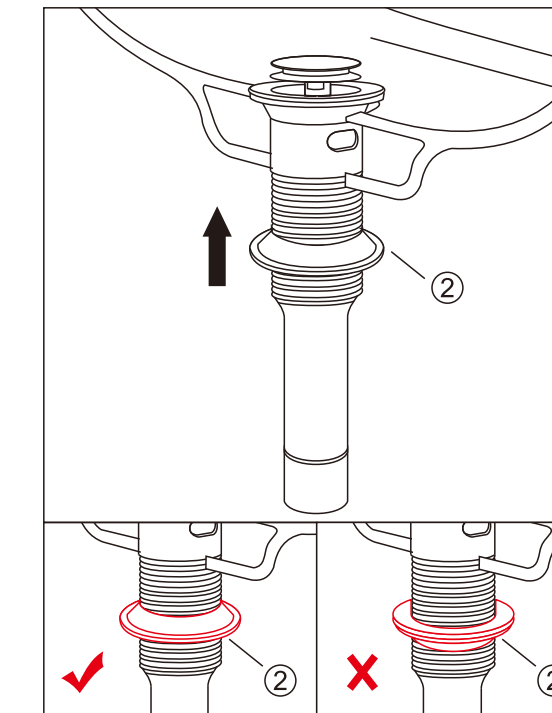
2. Install drain body ④, with gasket ③ attached, into the drain hole.



-03-

FORIOUS

3. Install gasket ② attached, into the drain hole under the sink.



-04-