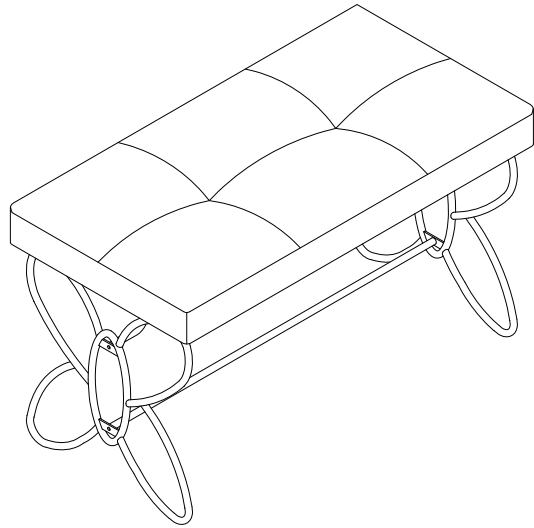
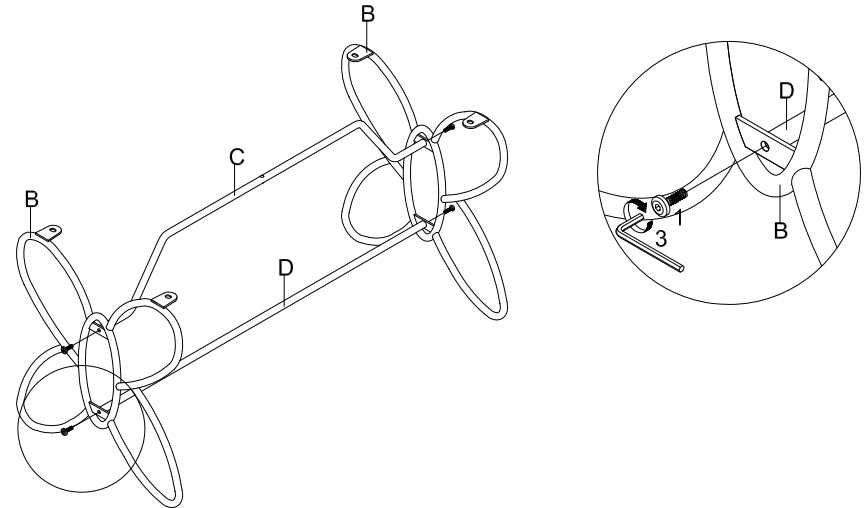


# ASSEMBLY INSTRUCTION



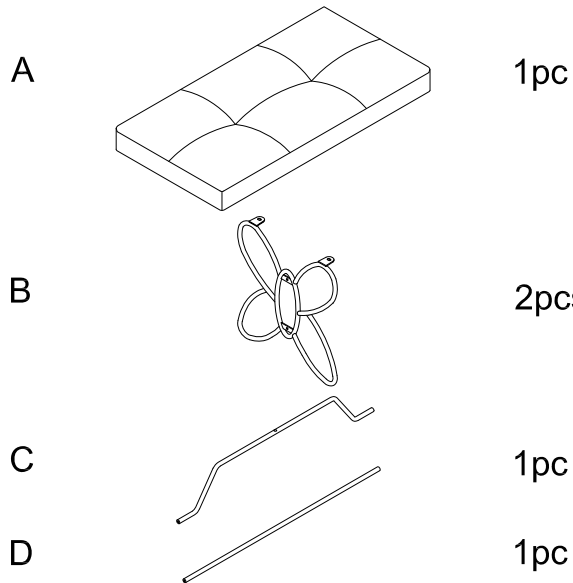
## STEP 1.






1		4pcs
M6x15		

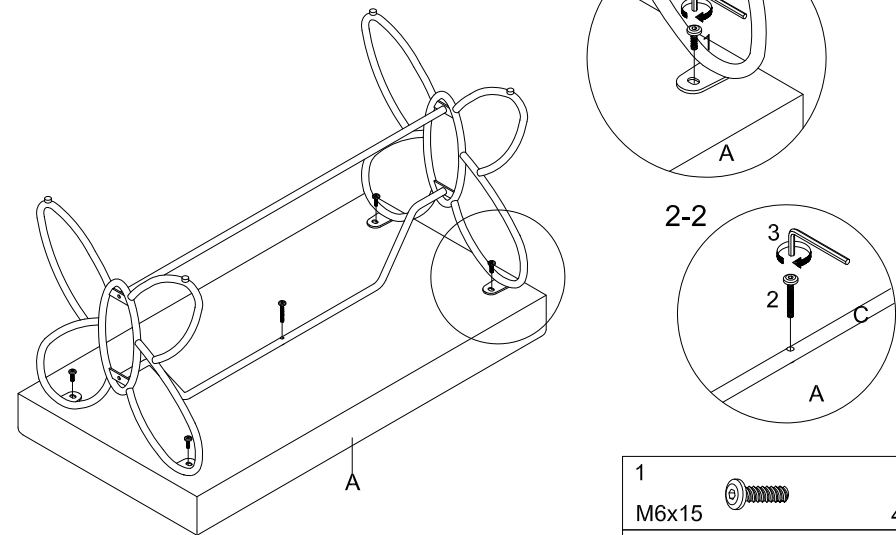
## PARTS IDENTIFICATION



## HARDWARE LIST



1		8pcs
M6x15		
2		1pc
M6x25		
3		1pc
4x4		

## STEP 2.



1		4pcs
M6x15		
2		1pc
M6x25		