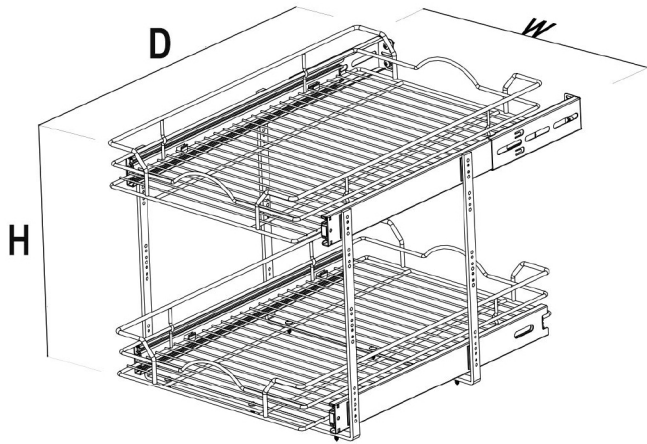


2 Tier Pull out Cabinet Organizer

Installation Manual

NOTE! Inspect all parts and read all instructions prior to beginning assembly and installation.



W(IN)	D(IN)	H(IN)
12"	18"	13.6" or 15.6"
15"	18"	13.6" or 15.6"
18"	18"	13.6" or 15.6"
21"	18"	13.6" or 15.6"
9"	21"	13.6" or 15.6"
12"	21"	13.6" or 15.6"
15"	21"	13.6" or 15.6"
18"	21"	13.6" or 15.6"
21"	21"	13.6" or 15.6"

Tools Required

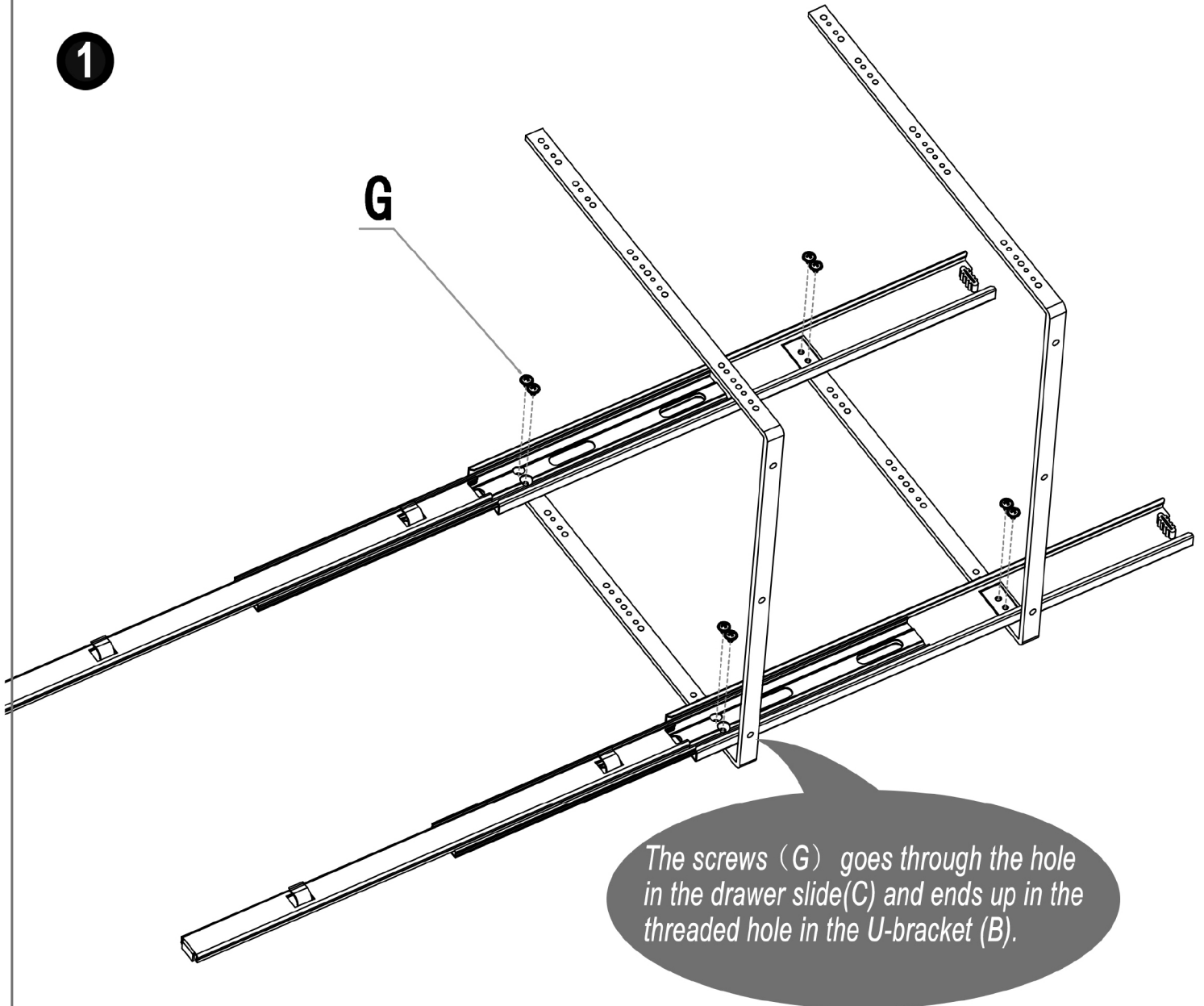
- A Power Screwdriver (or Phillips Head Screwdriver)

PARTS LIST

Part Code	Name	Simplified Diagram	Quantity
A	Top & Bottom Baskets		2 PCS
B	U-Shaped Support Brackets		2 PCS
C	Drawer Slide		2 Pairs
D	ST4*16 Wood Screws		10 PCS
E	Mounting Template		1 PCS
F	Rear Mounting Bracket		2 PCS
G	4*6 Scews		16 PCS

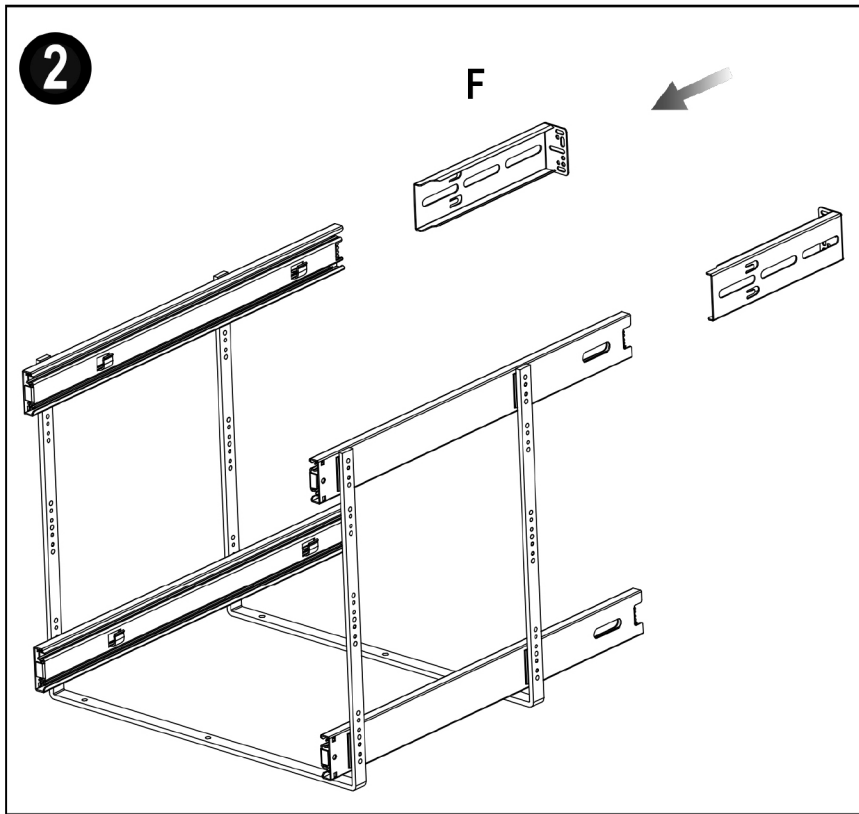
PLEASE NOTE : Before installing the **Slide Out Organizer**, please confirm whether your cabinet opening is with or without a lip. If your cabinet has a lip, it is recommended that you use the higher screw holes when securing the lower drawer slides to the U-brackets.

1



Attach the two pairs of drawer slides to the U-shaped support bracket (B) using (16) of the provided mounting screws (G).

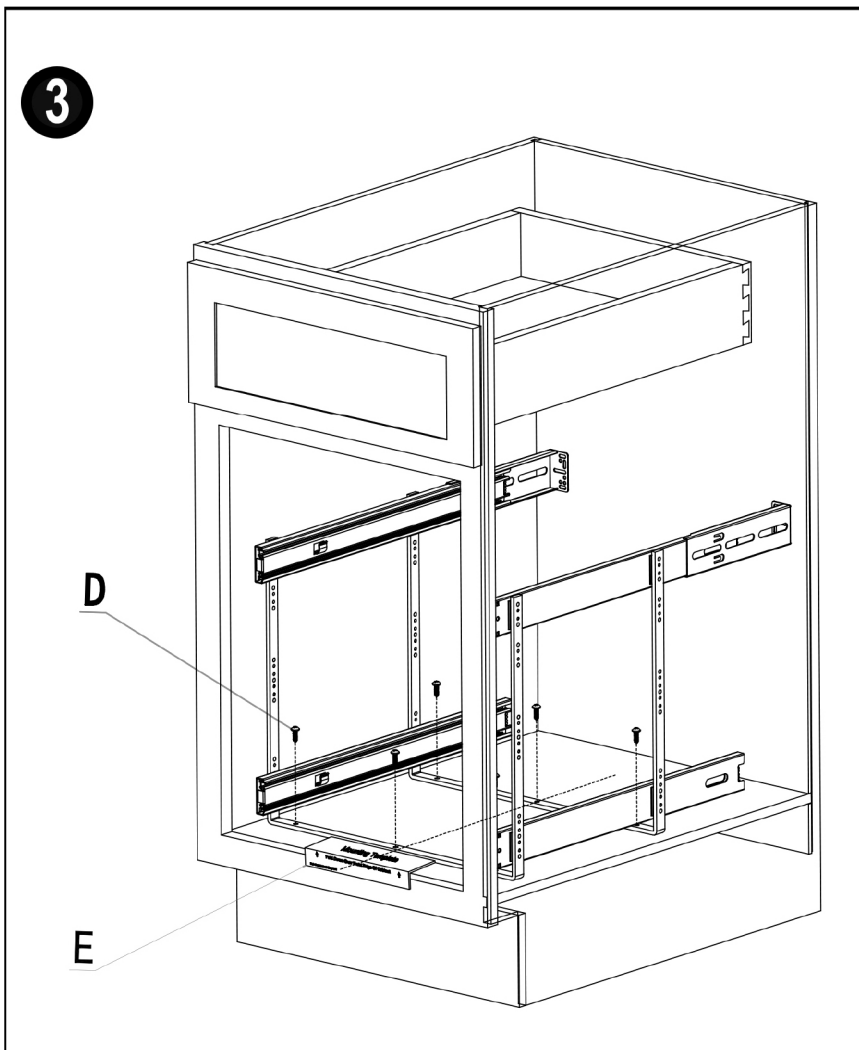
If you are still in doubt, please refer to the installation video and the installation step-by-step diagram on how to install the drawer slide to the U-bracket on the product detail page.



Attach rear mounting brackets (F) to upper slides by pushing bracket firmly onto slides (C).

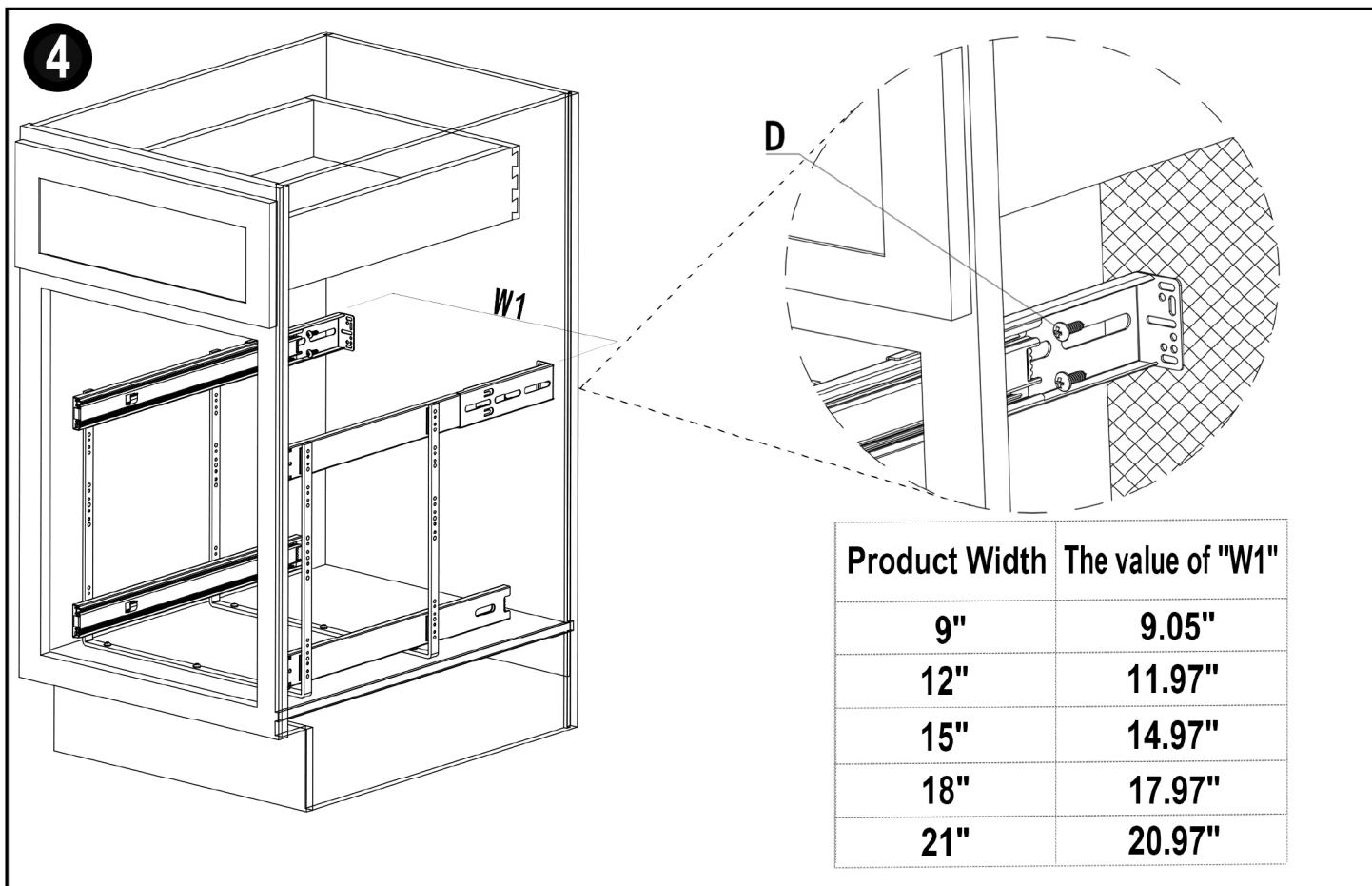
NOTE: No rear slide brackets are needed for lower slides.

The two rear mounting brackets are designed to be installed at the end of the upper drawer slide for reinforcement. This makes the 2-tier pull-out cabinet organizer more stable when installed. Of course, these two rear mounting brackets are optional, and they can be not used when the installation conditions do not support it or in order to simplify the installation, because the strength of the U-shaped bracket is enough to support the upper and lower wire baskets.



Align glide frame in cabinet as shown using mounting template (E). Horizontally, please make sure that the centerline of the bottom plate of the cabinet is also the centerline of the glide frame. Use (6) ST4*16 Wood Screws (D) to attach U-shaped unit to the floor of the cabinet.

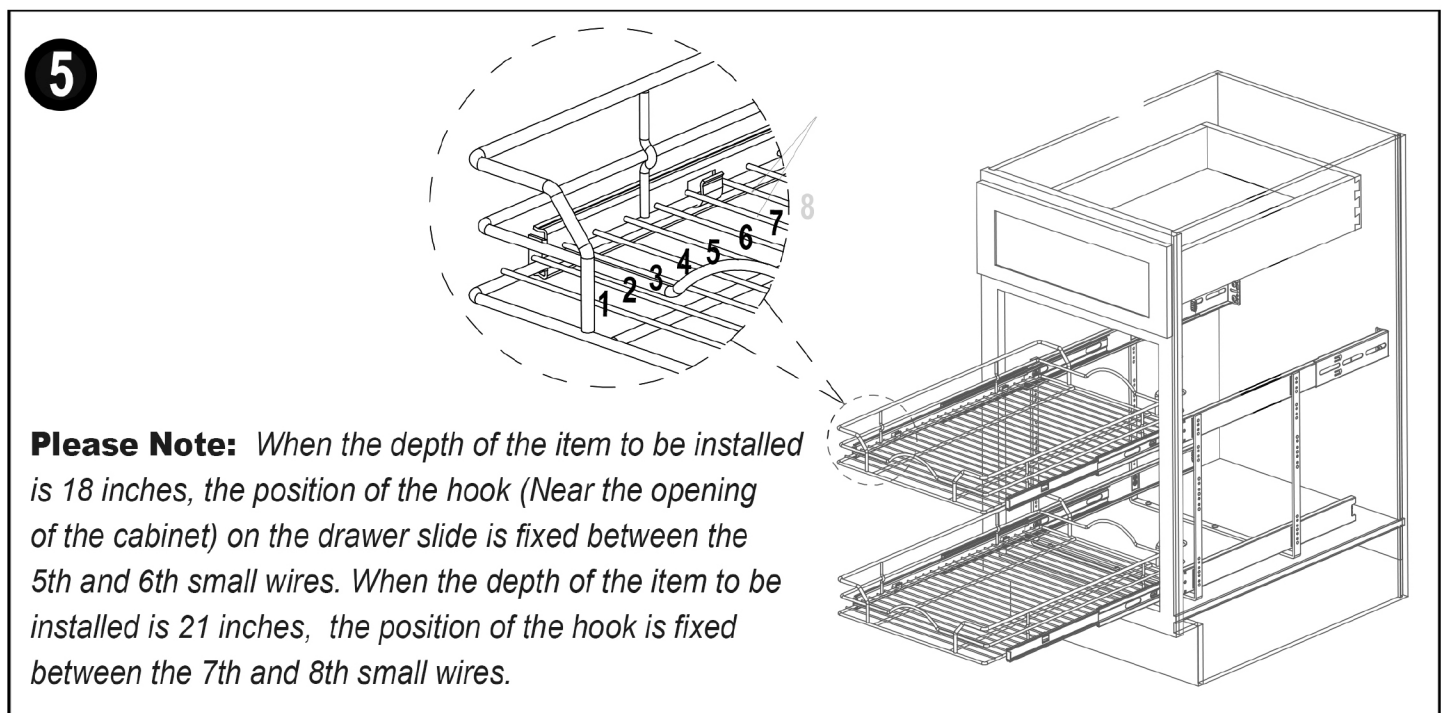
NOTE: At the same time, on the side near the cabinet door hinges, please leave a margin to avoid collision when the wire baskets are pulled out.



Product Width	The value of "W1"
9"	9.05"
12"	11.97"
15"	14.97"
18"	17.97"
21"	20.97"

Push the (2) rear metal brackets (F) to the rear of the cabinet and attach both sides using the (4) wood screws (D)

Note: To ensure optimal performance it is recommended that the rear brackets are perfectly aligned.



Please Note: When the depth of the item to be installed is 18 inches, the position of the hook (Near the opening of the cabinet) on the drawer slide is fixed between the 5th and 6th small wires. When the depth of the item to be installed is 21 inches, the position of the hook is fixed between the 7th and 8th small wires.

Please align the position, Install lower basket to left hand slide by pushing basket into hooks. Next push basket into hooks on right hand slide. Repeat the steps for upper basket. Congratulations, installation is now complete.