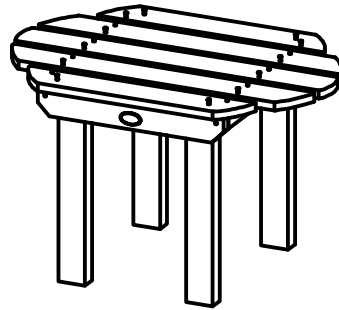
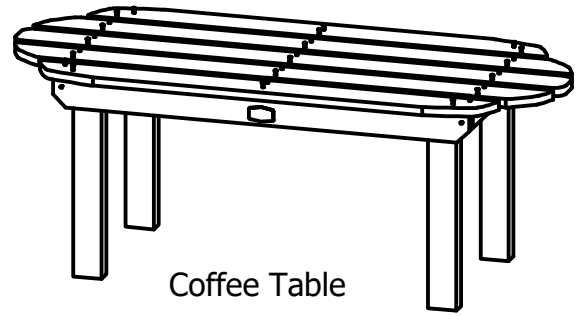


# Side/Coffee Table

## Assembly Guide



Side Table

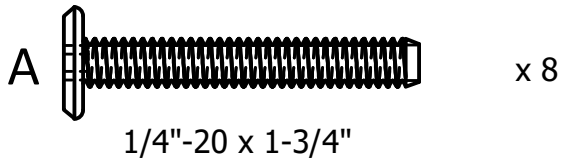


Coffee Table

TBL-CW1  
TBL-CW2  
TBL-CW3  
TBL-CW4

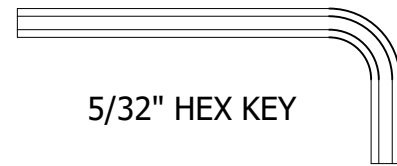
\*Actual Style May Vary from  
the One Pictured in this Guide

### HARDWARE INCLUDED



1/4"-20 x 1-3/4"

### TOOLS INCLUDED



5/32" HEX KEY

### IMPORTANT!

DO NOT fully tighten bolts until all bolts are started.

- 1)** Place Table Top on flat surface with Top facing down as shown.
- 2)** Attach Legs to one side of Table Top using (2) "A" Bolts in each Leg as shown.
- 3)** Repeat Step 2 on other side of Table.

