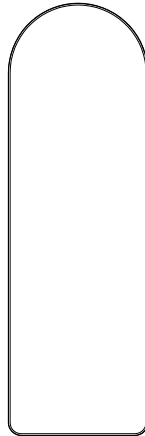


INSTALLATION INSTRUCTIONS

Apply to the below style of Full-length Mirrors



Please read carefully and save these instructions.

Don't discard any of the packaging until you are sure that you have all of the parts and the fittings.

IMPORTANT

- Unpack mirror. DO NOT lay mirror on tiled or concrete surface prior to installation. Mirror must be on protected surface to prevent chipping of the corners.

INSTALLATION

Please refer the installation diagram on the back of the page.

Standing:

- 1) Unpack the Full-length mirror and use the standing support from the mirror back.(See Pic.1)

Wall mounted:

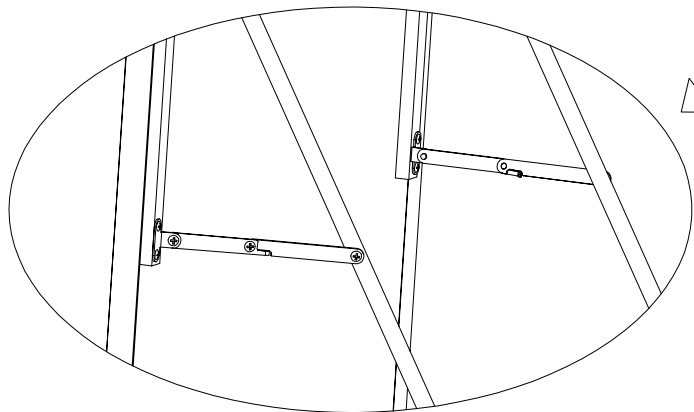
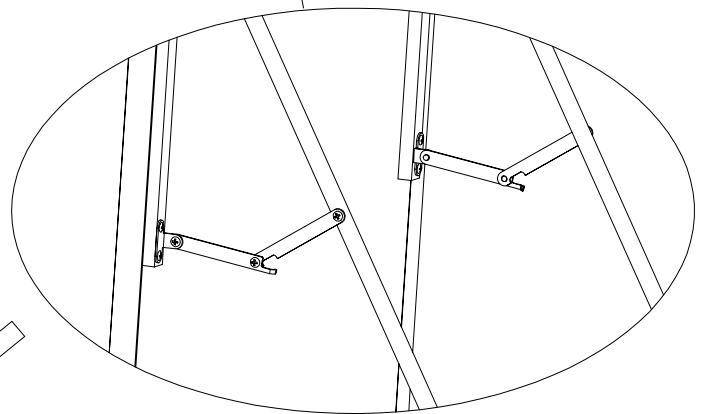
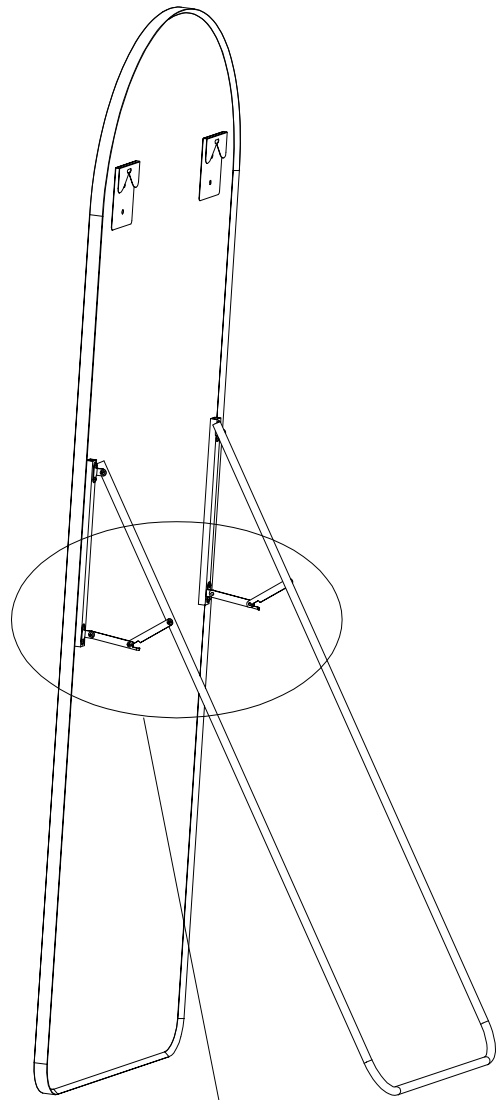
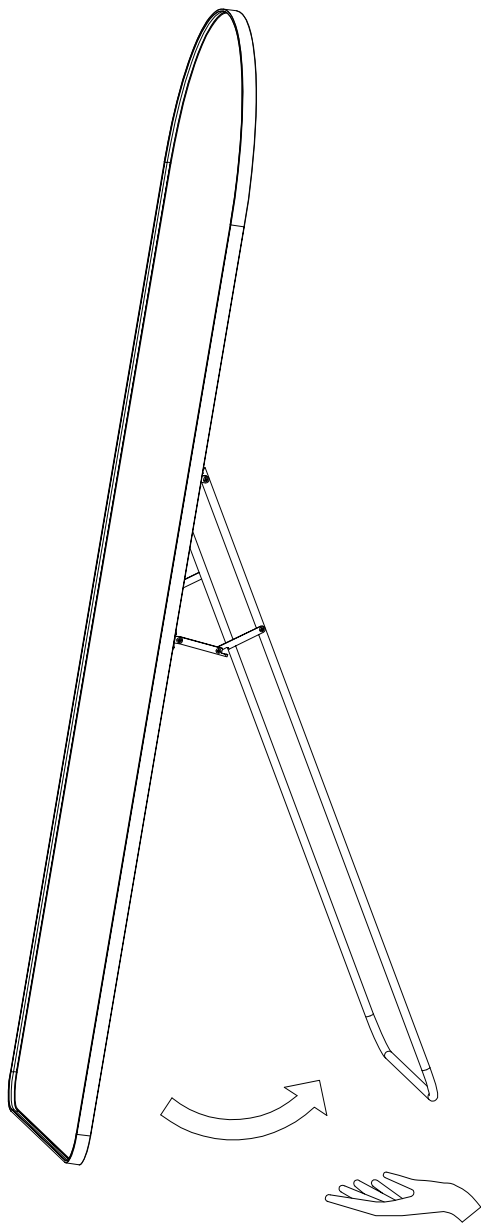
- 1) Disassemble the holder from the mirror back by using screwdriver
- 2) Measure the distances between the mounting holes on the aluminum frame, Mark down the screw positions on the wall, with ruler and pencil according to the distances between the mounting holes on the aluminum frame(See Pic.1&2)
- 3) Drill holes for screws, and put in the expansion rubber plug. (See Pic.3&4)
- 4) Then hang the mirror by the screws on the wall(See Pic.5&6)

MAINTENANCE

Wipe clean with a soft damp cloth. Apply glass cleaner to cloth and do not apply directly to mirror.

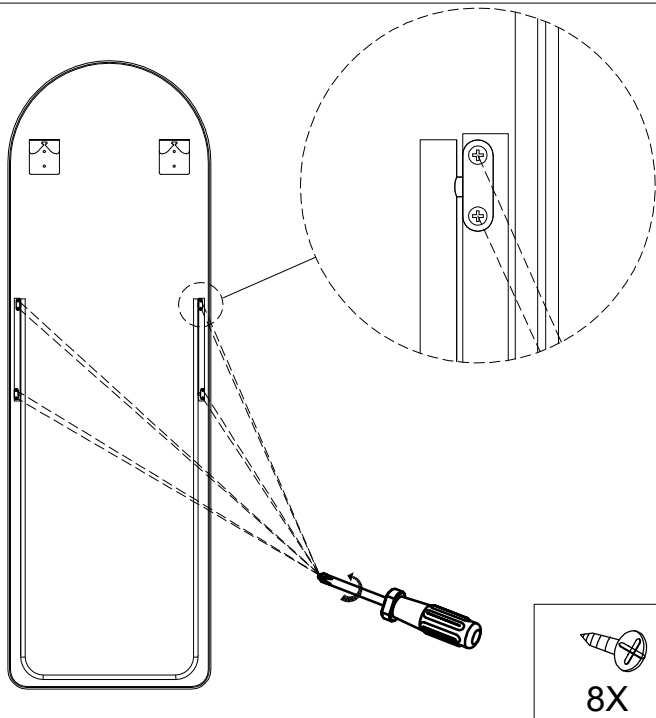
Never use abrasive cleaners as these could damage the finish

INSTALLATION DIAGRAM (Standing option)

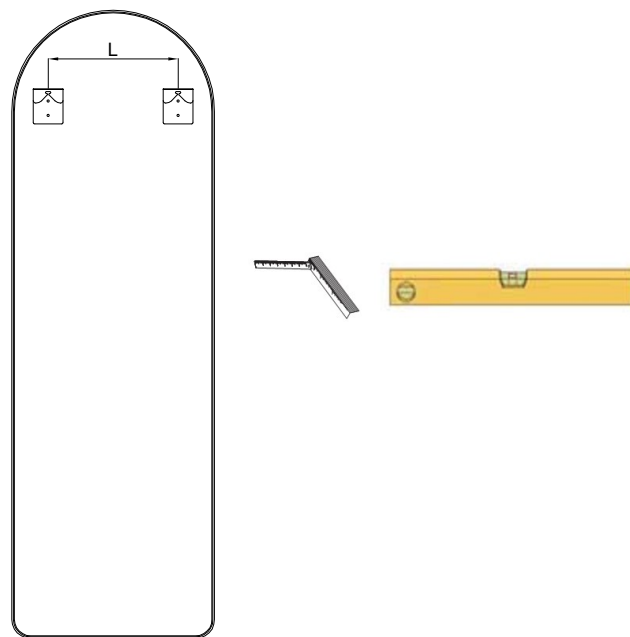


INSTALLATION DIAGRAM (Wall mounting)

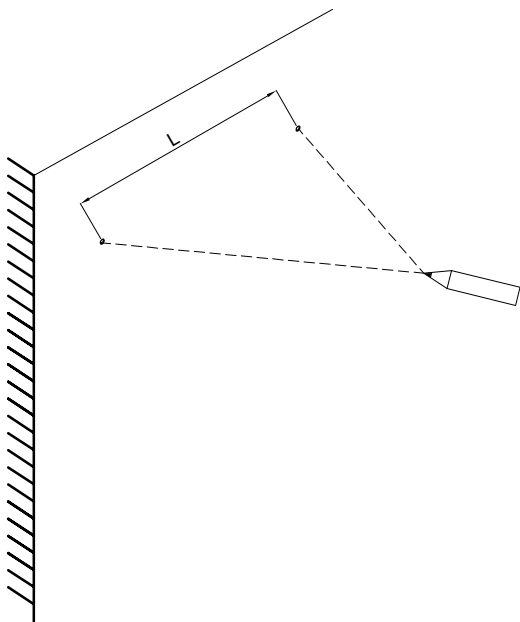
1



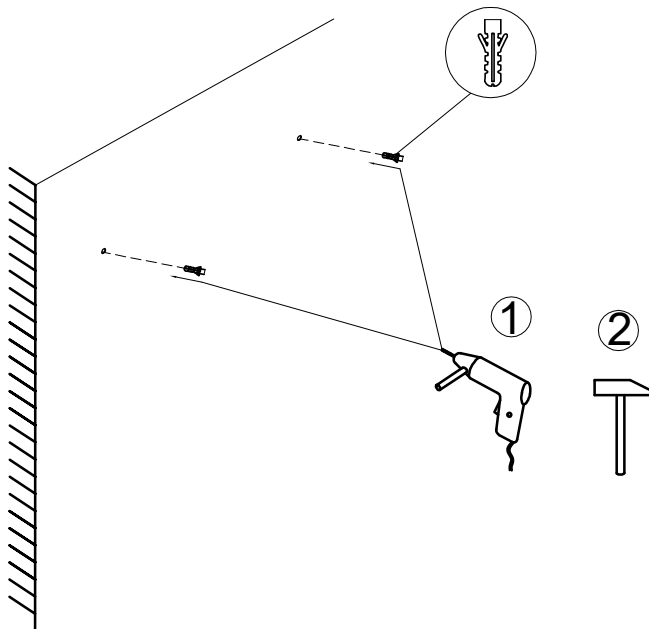
2



3



4



5

