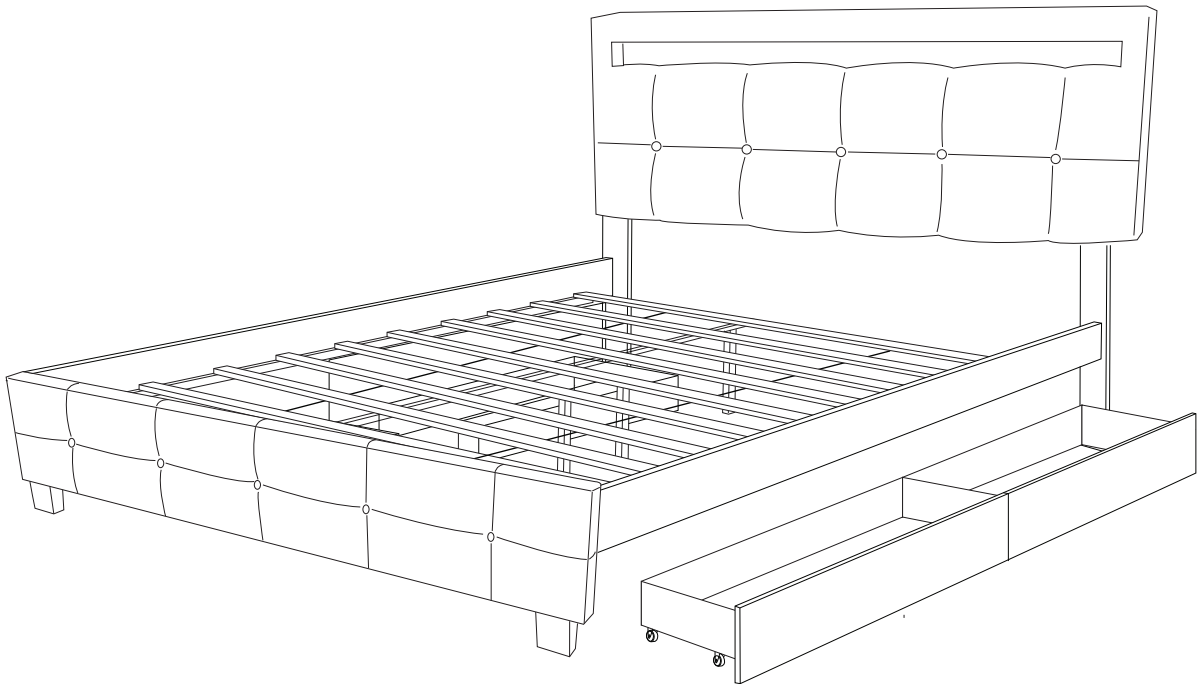
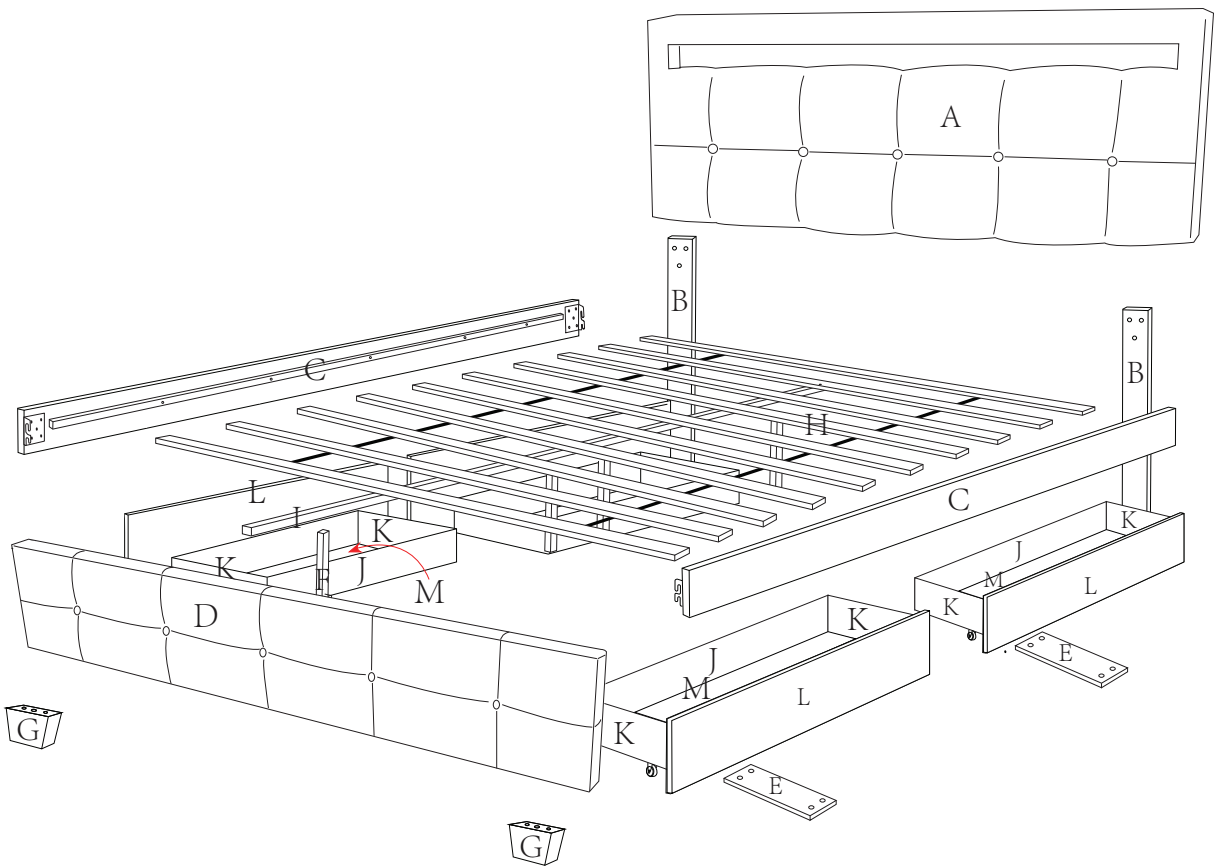


# ASSEMBLY INSTRUCTION

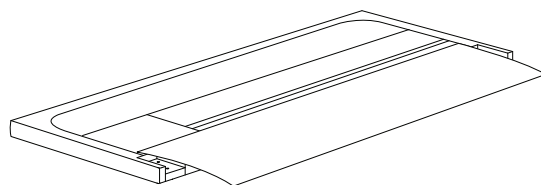
SKU CODE : WF312352 / WF312353  
ITEM : FULL LED BED WITH 4 DRAWERS

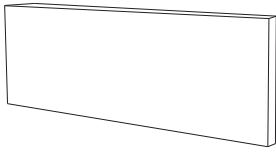
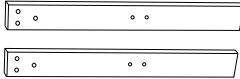
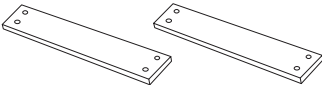
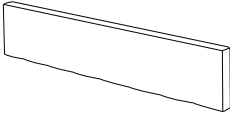
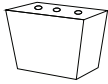
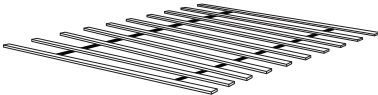
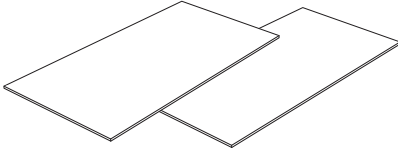
SKU CODE : WF312356 / WF312357  
ITEM : QUEEN LED BED WITH 4 DRAWERS



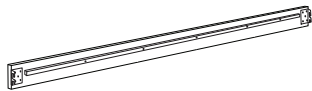
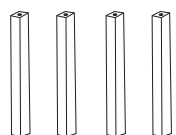
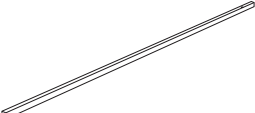
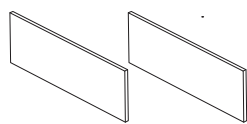
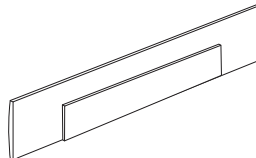
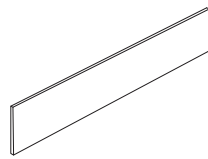


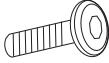

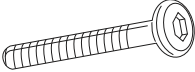
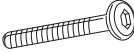
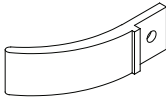
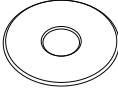

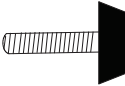
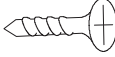

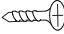

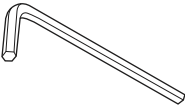
Bed Parts are shipped inside a compartment  
in the back of the headboard.




NO	PARTLIST (BOX 1 OF 2) WF312352/WF312356	QTY
A	Headboard 	1 pc
B	Headboard Leg 	2 pcs
E	Drawer Support 	4 pcs
D	Footboard 	1 pcs
G	Bed Leg 	2 pcs
H	Bed Slat 	10 pcs
M	Drawer Bottom Panel 	4 pcs

**PART LIST (BOX 2 OF 2)** WF312353/WF312357

	<b>PART LIST (BOX 2 OF 2)</b> WF312353/WF312357	
C	Side Rail 	2 pcs
F	Center Support Leg 	4 pcs
I	Center Support Rail 	1 pc
K	Drawer Side Panel 	8 pcs
L	Drawer Front Panel 	4 pcs
J	Drawer Back Panel 	4 pcs

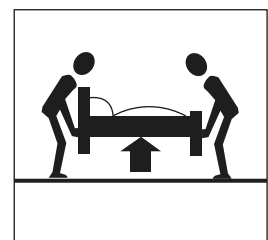
NO	HARDWARE LIST (BOX 2 OF 2) WF312353/WF312357	QTY
1	JCBB M8 x 20mm 	8 pcs
2	JCBC M6 x 70mm 	2 pcs
3	JCBC M6 x 60mm 	4 pcs
4	JCBC M6 x 40mm 	6 pcs
5	Stopper 	8 pcs
6	Flat Washer M6 	6 pcs
7	Dowel M8 	4 pcs
8	Adjuster M6 	4 pcs
9	CSK M4 x 16mm 	8 pcs
10	CSK M4 X 25MM 	16 pc
11	CSK M3.5 x 16mm 	48 pcs
12	CSK M4 x 30mm 	20 pcs
13	Allen Key M4 	1 pc

NO	HARDWARE LIST (BOX 2 OF 2) WF312353/WF312357	QTY
14	Allen Key M5 	1 pc
15	CSK M4 x 38mm 	32 pcs
16	Wheel 	16 pcs
17	Adapter 	1 pc
18	Remote 	1 pc

Read this instruction carefully. Remove all wrapping material, staples and straps from the carton. See hardware and furniture part list for guidance. Be sure you have all wooden furniture parts on a clean and flat surface, such as carpet or rug, to prevent from being scratched.




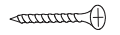
**CAUTION :**

1. Do not Full Tighten the nut or screw until all ready to assemble.
2. Do not Over Tighten the nut or screw to avoid causing damages to the thread.
3. Keep all hardware part out reach of children.

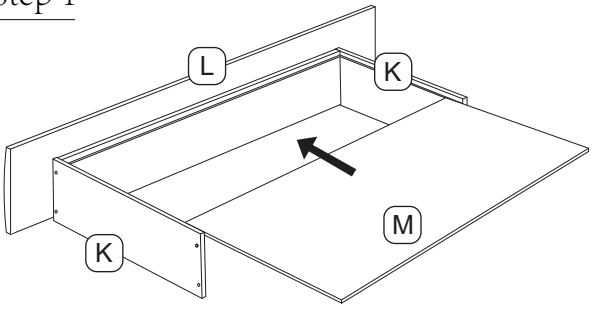


STEP 1

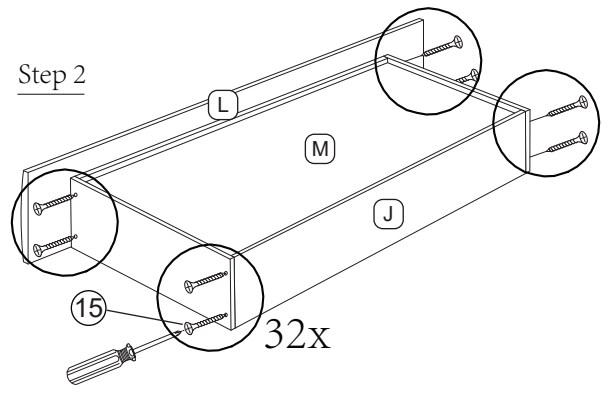
Drawer x 4 pcs

11	15	16	10
			
48 pcs	32 pcs	16 pcs	16 pcs

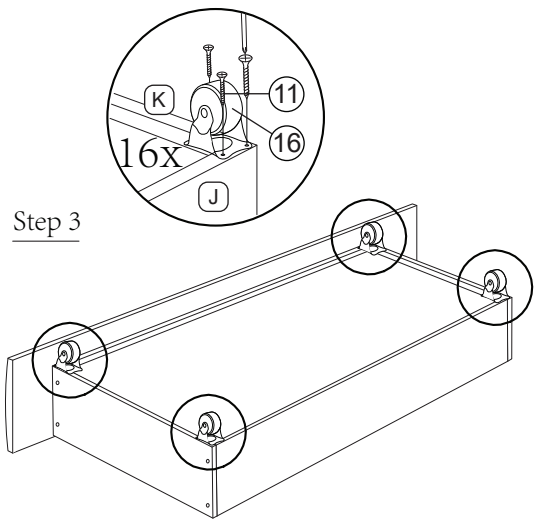
Step 1



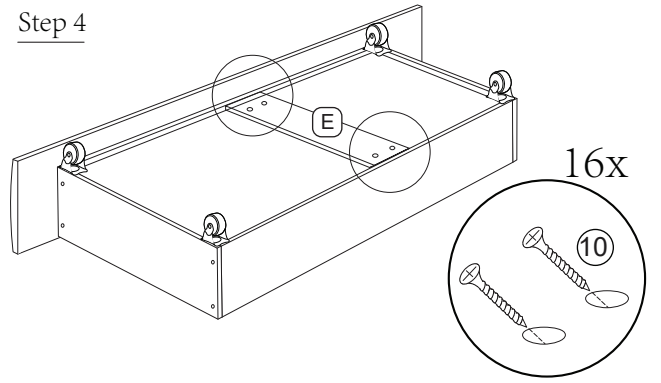
Step 2



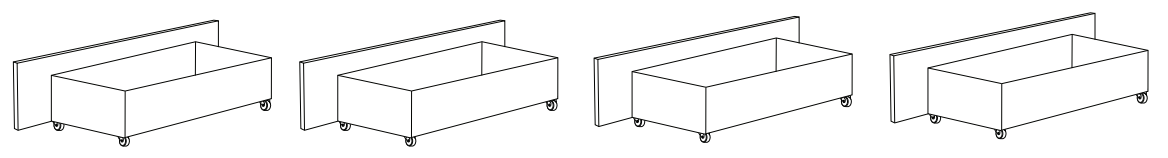
Step 3



Step 4

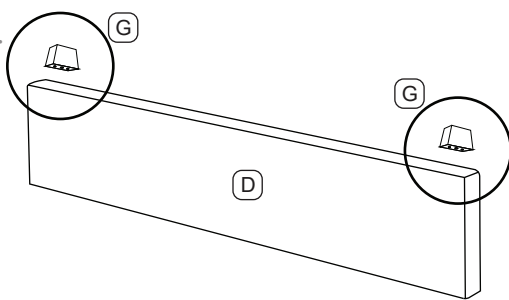
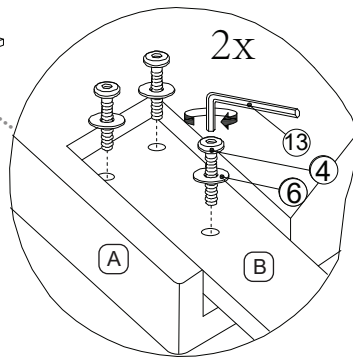
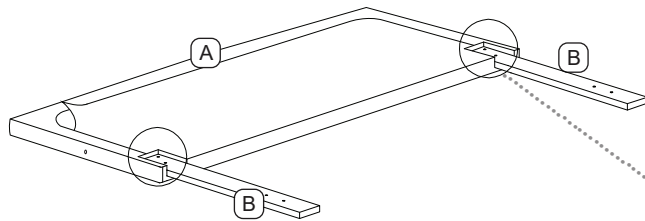
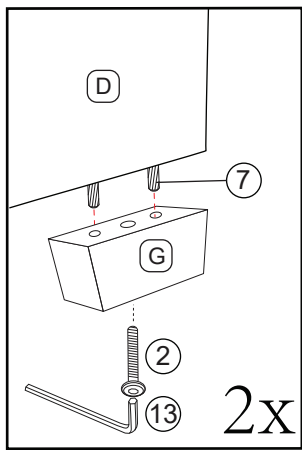


ASSEMBLY



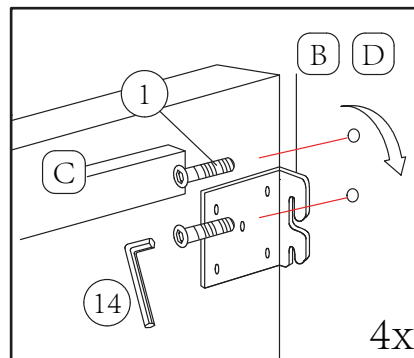
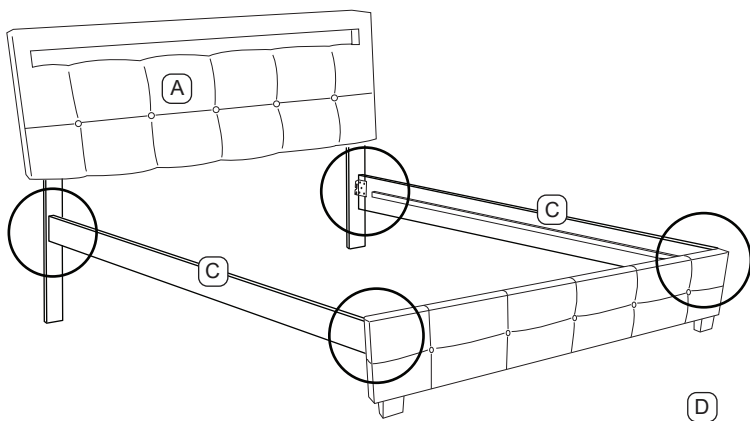
STEP 2

2	4	6	7
2 pcs	6 pcs	6 pcs	4 pcs

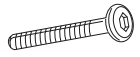



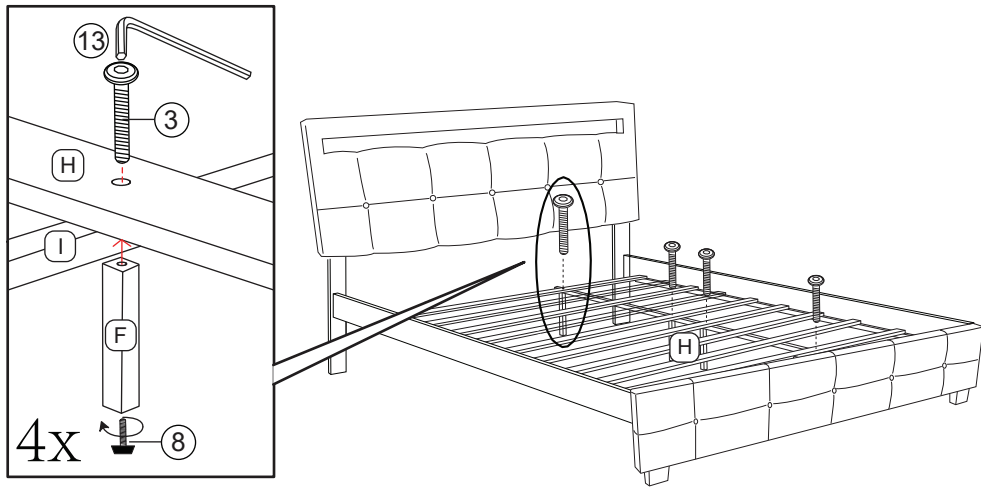
STEP 3

1
8 pcs




STEP 4

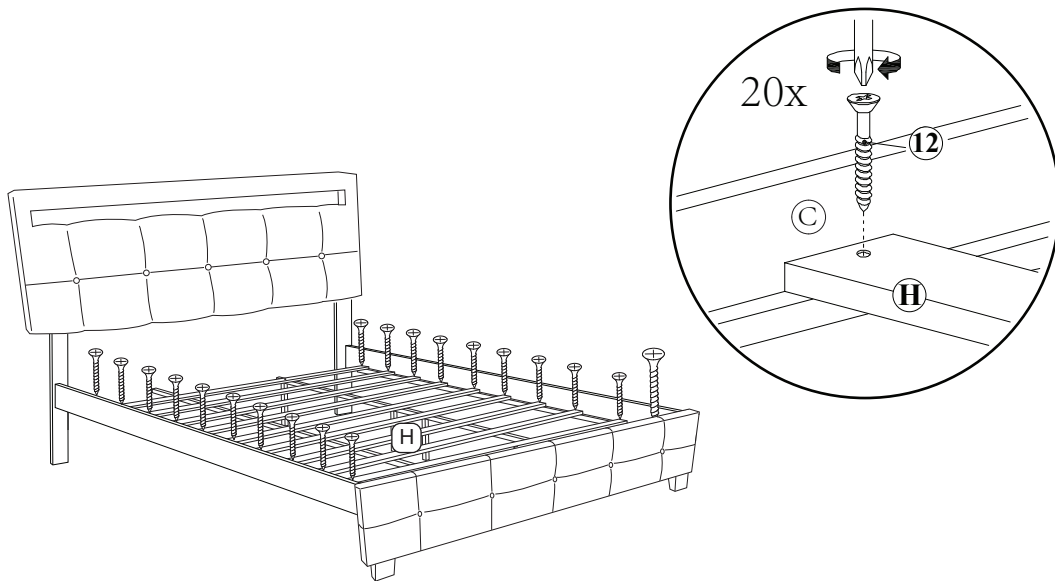
3	8
	
4 pcs	4 pcs





Adjust slat leveling feet to touch floor.

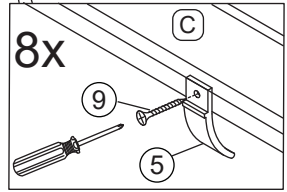
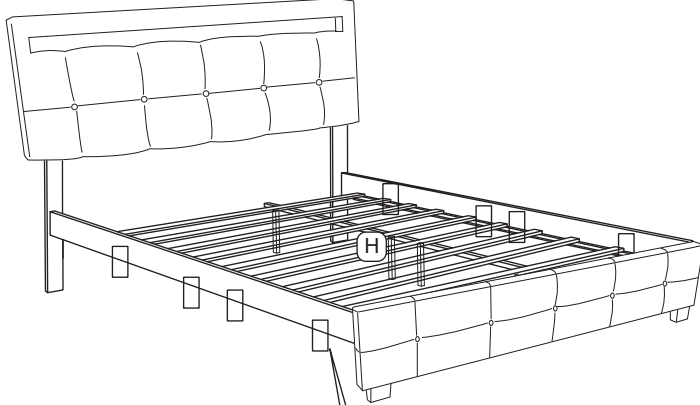
STEP 5

12

20 pcs



STEP 6

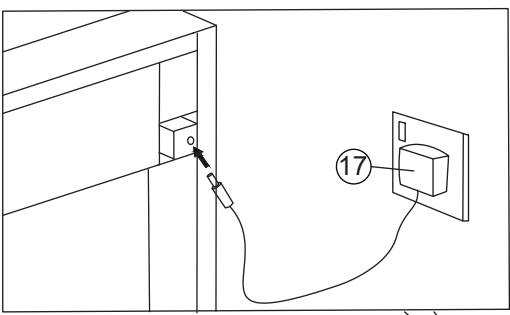
9	5
	
8 pcs	8 pcs

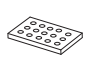



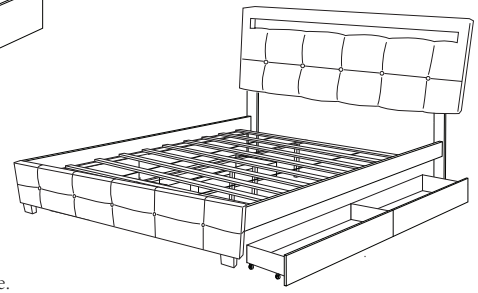
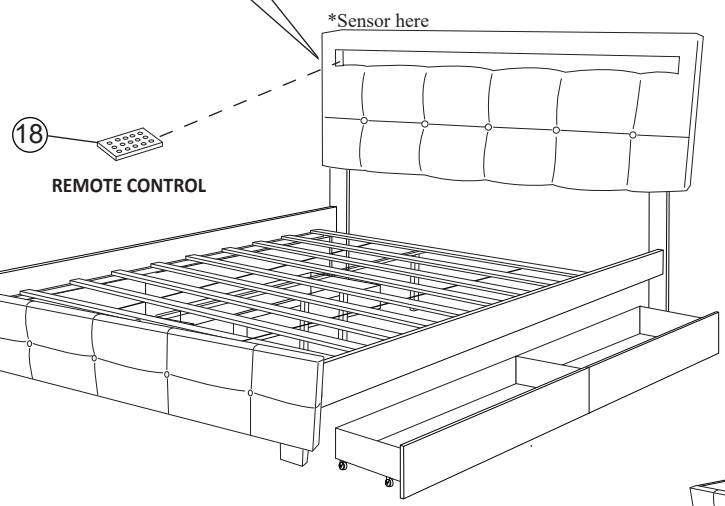
Optional:  
Add drawer stopper

STEP 7

\*Backside of headboard



18	17
	
1 pc	1 pc



COMPLETED  
ASSEMBLY  
Lastly, place the drawers inside.