

Assembly Instructions

WARNING!!

Furniture Tipping Risk.

Serious risk of severe or fatal crush injuries can occur from furniture tipping over if not secured.

Children like to climb on furniture and Unsecured furniture can pose a serious danger.

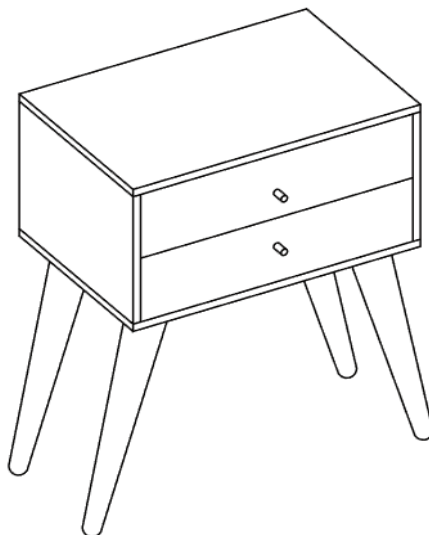
Please follow all instructions and install the tip-over restraints provided.

In addition to installing the restraints, to help prevent tip-over:

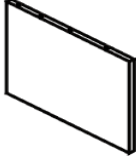
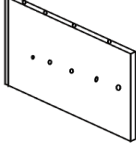
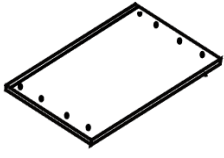
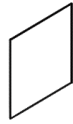
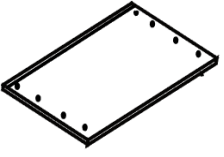

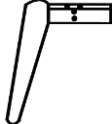

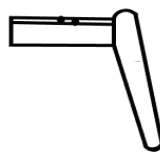

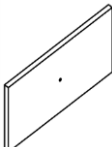
- 1. Place heaviest items in the lowest drawers;**
- 2. Unless specifically designed to accommodate, do not set TV's or other heavy objects on top of this product;**
- 3. Never allow children to climb or hang on drawers, doors, or shelves;**
- 4. Do not leave drawers open;**
- 5. Never open more than one drawer at a time;**
- 6. Do not step on the base.**

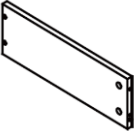
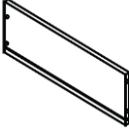
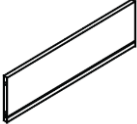
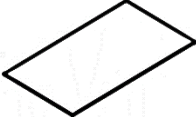
Caution : You must read this before you proceed

Nightstand




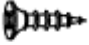
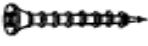
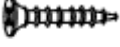








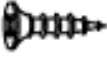



Parts List

Label	Picture	Description	QTY
A		Left Side Panel	1
B		Right Side Panel	1
C		Bottom Panel	1
D		Back Panel	1
E		Top Panel	1
F		Left Front Leg	1
G		Left Back Leg	1
H		Railed Side Panel	2
I		Right Front Leg	1
J		Right Back Leg	1
K		Drawer Front Panel	2

L		Drawer Left Side Panel	2
M		Drawer Right Side Panel	2
N		Drawer Back Panel	2
O		Drawer Base Panel	2

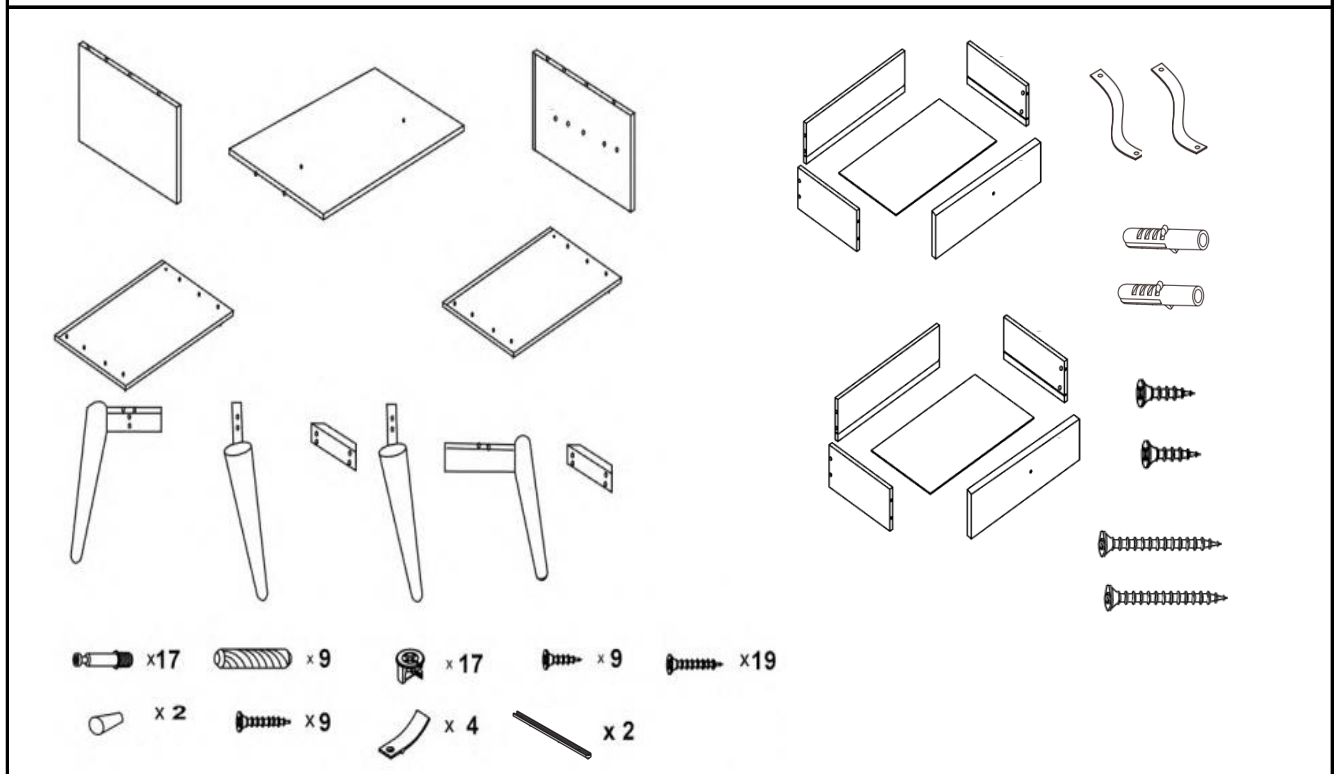
Hardware

Label	Picture	Description	QTY
①		Cam Bolt	17
②		Dowel (M6x30mm)	9
③		Cam Nut	17
④		Screw (M3x12mm)	9
⑤		Screw (M4x30mm)	19
⑥		Screw (M4x20mm)	9
⑦		Handle	2
⑧		Stopper	4
⑨		Plastic Drawer Slide	2

⑩		Screwdriver(Not provided)	1
Restraint Device Hardware			
⑪		Restraint Strap	2
⑫		Wall Anchor	2
⑬		Screw	2
⑭		Screw	2
⑮		Hammer(Not Provided)	1
⑯		Power Drill(Not Provided)	1

Assembly Preparation

Before Beginning Assembly:





- Read instructions, cover to cover-



- Have 2 adults on hand for assembly-



- Do not assemble on flooring or carpet-



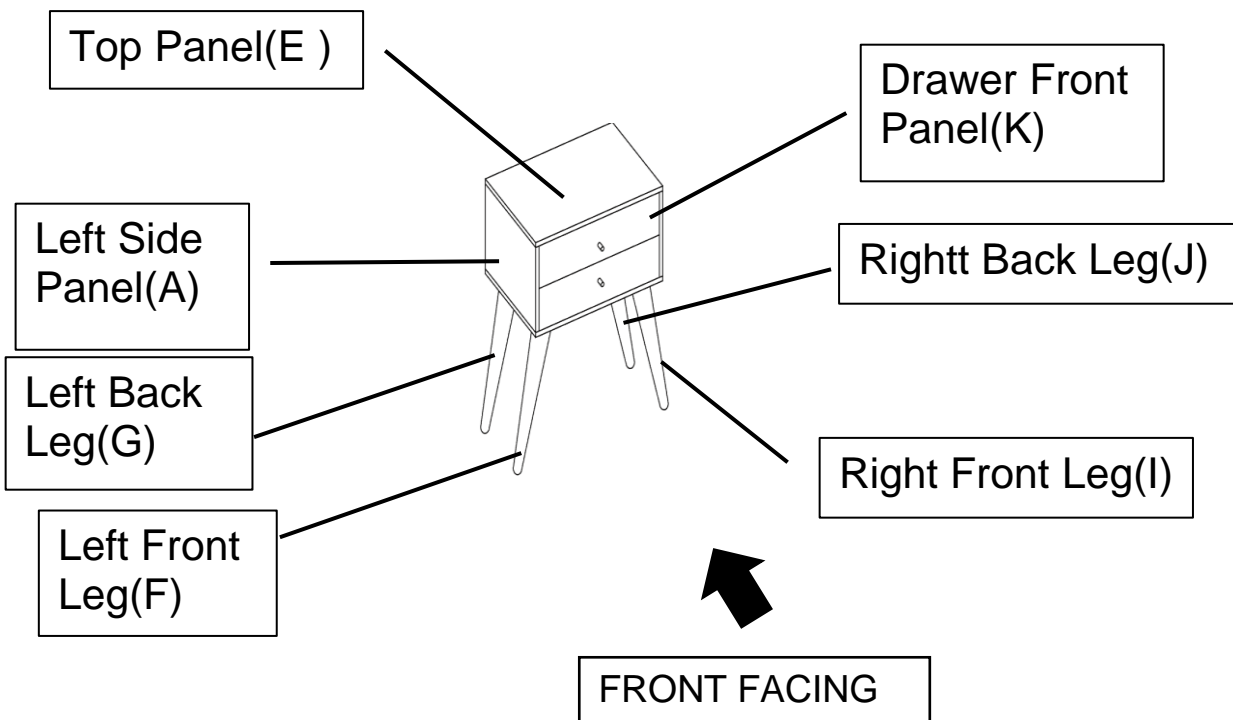
- Assemble on a clean non-marring surface (packing foam)-



- Save all packaging until finished-

Assembly Steps

Overview

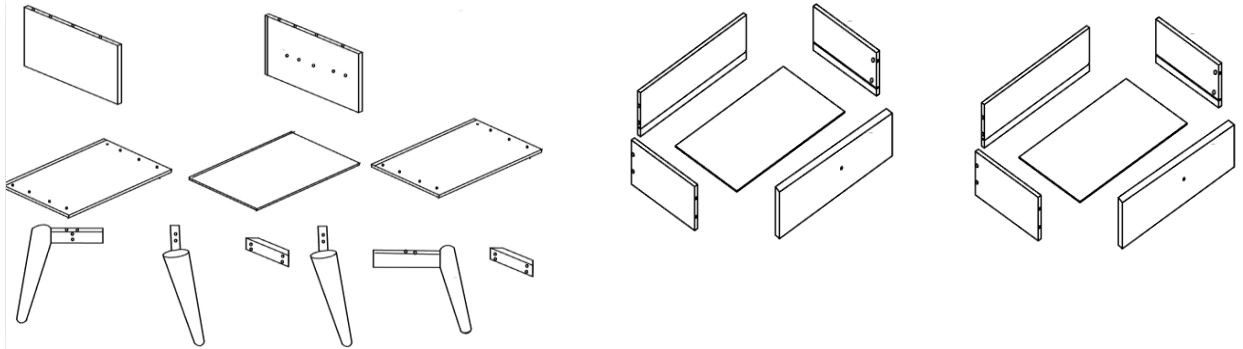


This Nightstand has multiple parts and may require up to 30 minutes to assemble.

To give you an overview of the Nightstand parts, the above picture is to help you put the various parts into perspective.

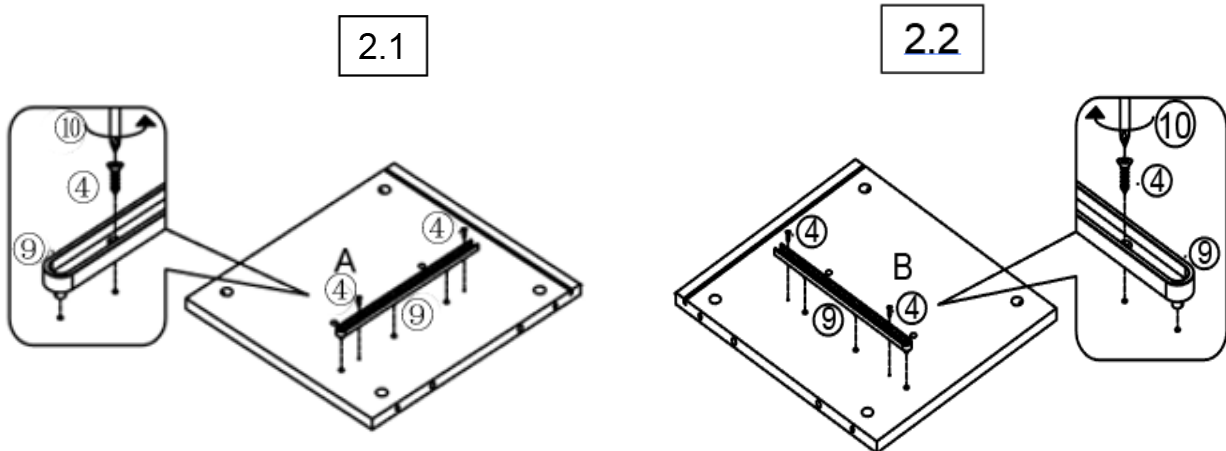
Please read through the instructions below to familiarise yourself with the parts and steps before assembly.

Step 1



Unpack and place all parts on a clean, non-marring surface.

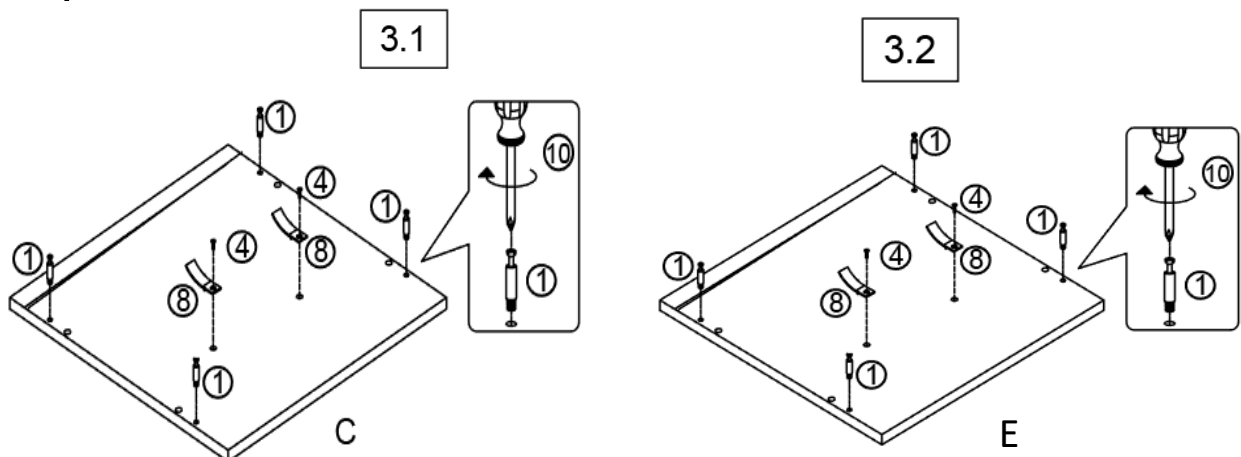
Step 2



2.1) Attach Plastic Drawer Slide(9) to Left Side Panel(A) using Screw(4) with Screwdriver(10).

2.2) Attach Plastic Drawer Slide(9) to Right Side Panel(B) using Screw(4) with Screwdriver(10).

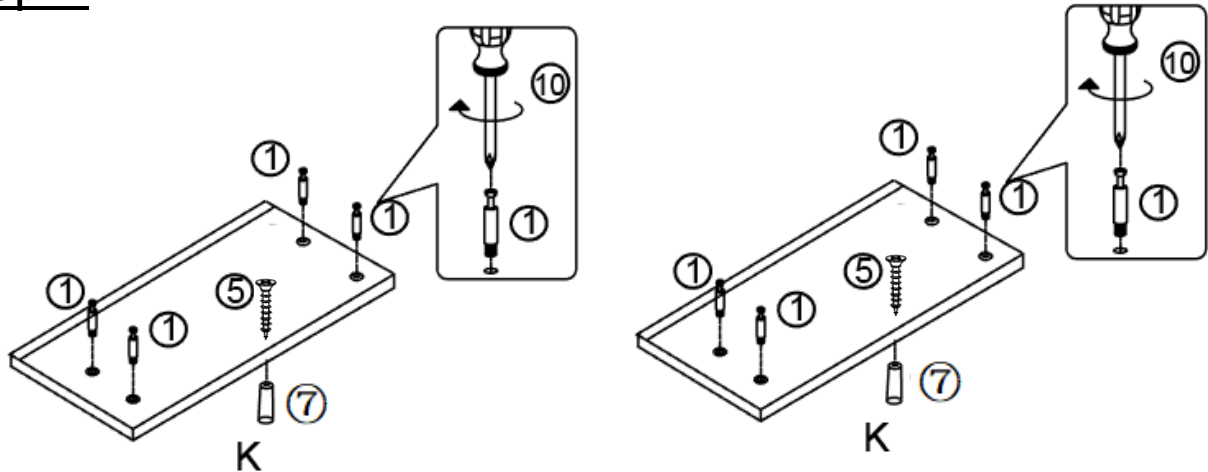
Step 3



3.1) Insert Cam Bolt(①) to the mounting positions on Bottom Panel(C), lock by turning Screwdriver(⑩). Attach Stopper(⑧)to the Bottom Panel(C) using Screw(④) with Screwdriver(⑩) as shown.

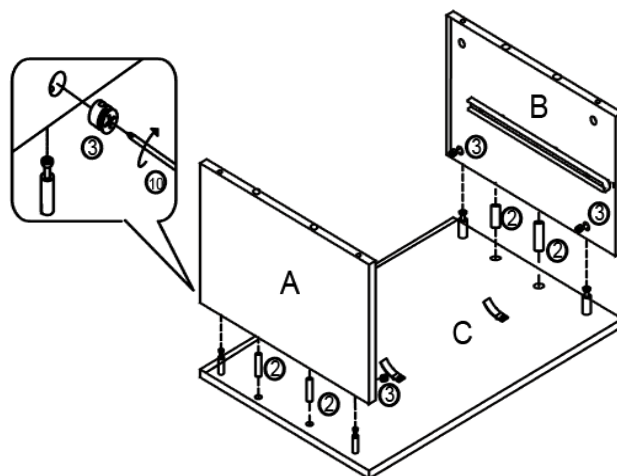
3.2) Insert Cam Bolt(①) to the mounting positions on Top Panel(E), lock by turning Screwdriver(⑩). Attach Stopper(⑧) to the Top Panel(E) using Screw(④) with Screwdriver(⑩) as shown.

Step 4



Attach Cam Bolt(①)to the mounting positions on Drawer Front Panel(K) using Screwdriver(⑩). Attach Handle(⑦) to the Drawer Front Panel(K) using Screw(⑤) with Screwdriver(⑩).

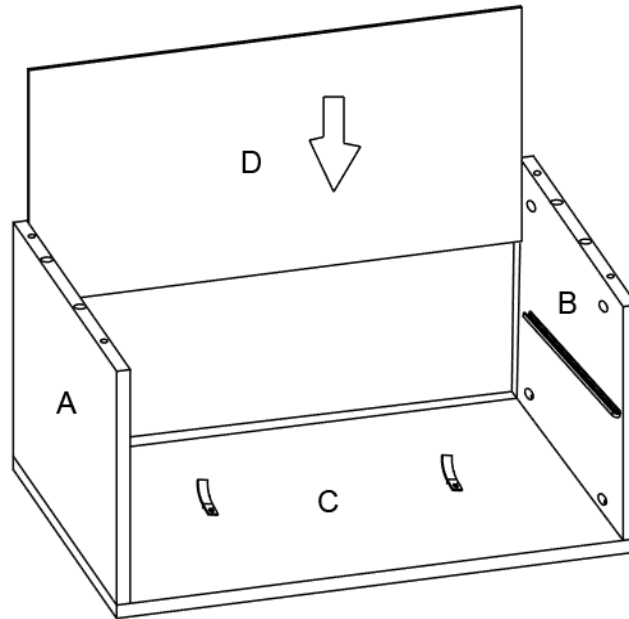
Step 5



Attach Dowel(②) to the mounting positions on Left Side Panel(A), Right Side Panel(B) and Bottom Panel(C). Attach Cam Bolt on Bottom Panel(C) to Left Side Panel(A) and Right Side Panel(B). Insert Cam Nut(③)into the mounting positions on Left Side Panel(A)and Right Side Panel(B), lock by Cam Nut(③) with Screwdriver(⑩).

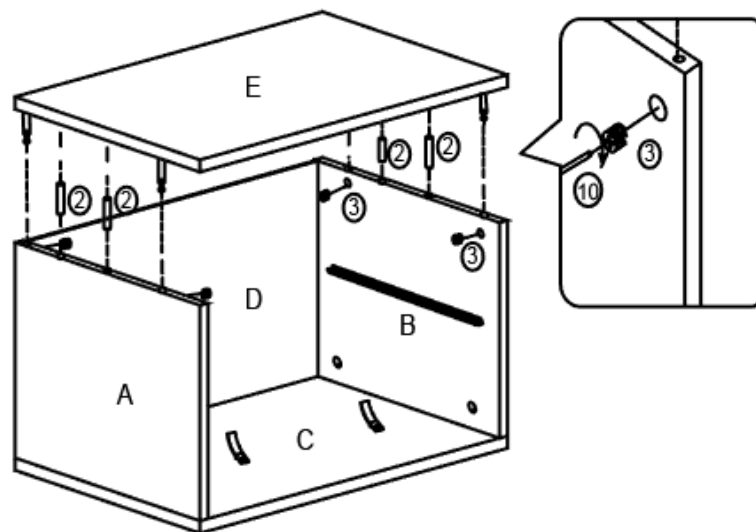
Note: Ensure the arrows on Cam Locks head points towards the Cam Bolt mounting positions.

Step 6



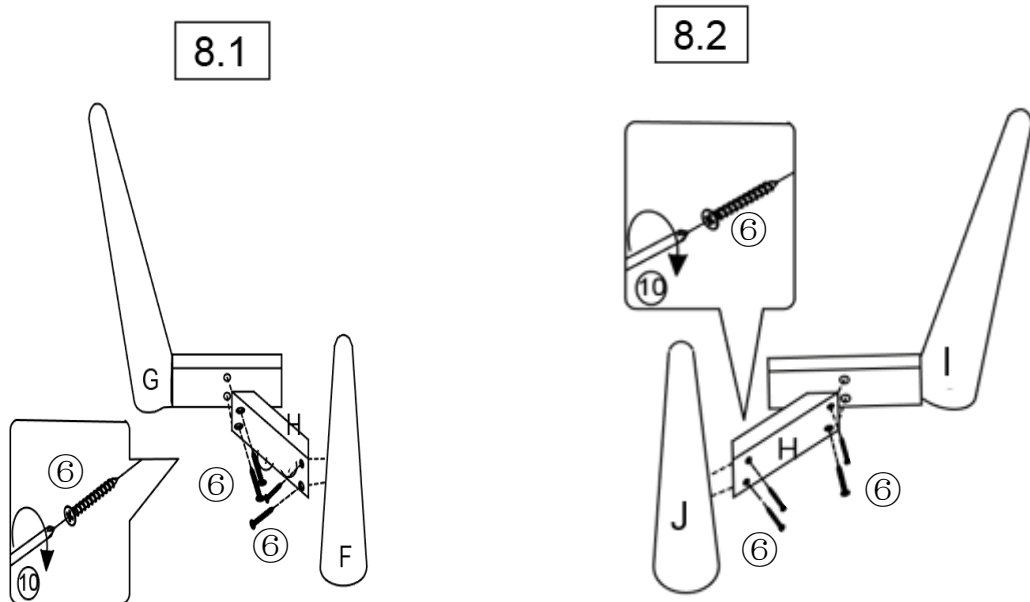
Insert Back Panel(D) into the grooves on Left Side Panel(A), Right Side Panel(B) and Bottom Panel(C).

Step 7



Insert Dowel(②) into the mounting positions on Left Side Panel(A), Right Side Panel(B), and Top Panel(E). Then attach Cam Bolt on Top Panel(E) to Left Side Panel(A) and Right Side Panel(B), lock by Cam Nut (③) with Screwdriver(⑩).

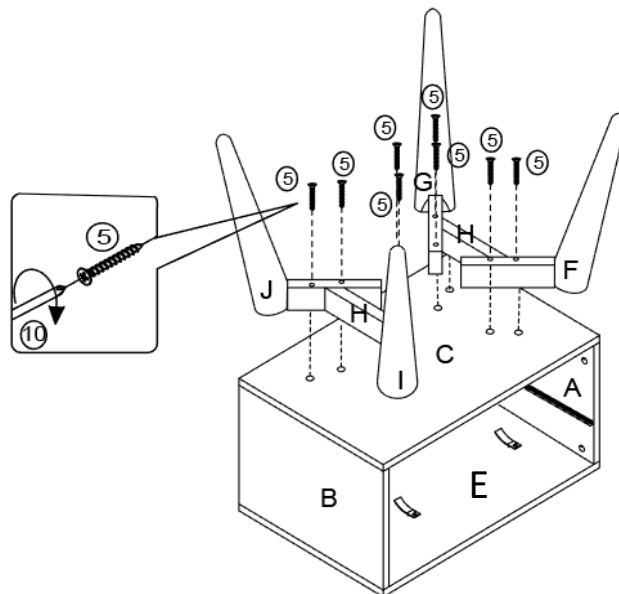
Step 8



8.1) Attach Left Front Leg(F) and Left Back Leg(G) to the Railed Side Panel(H) using Screw(6) with Screwdriver(10).

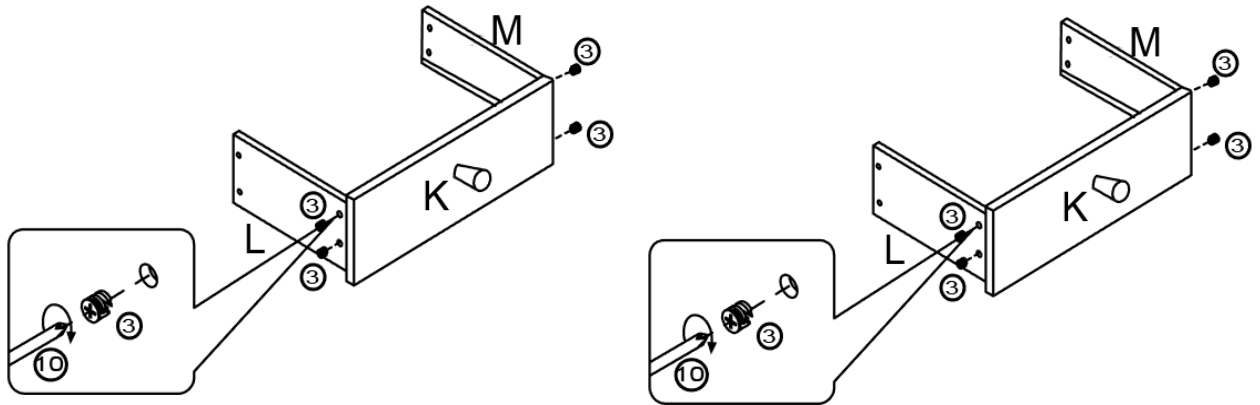
8.2) Attach Right Front Leg(I) and Right Back Leg(J) to the Railed Side Panel(H) using Screw(6) with Screwdriver(10).

Step 9



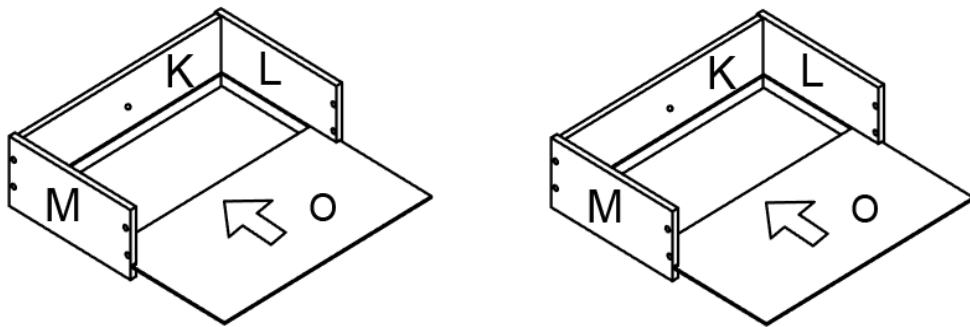
Attach all legs to Bottom Panel(C) using Screw(5) with Screwdriver(10).

Step 10



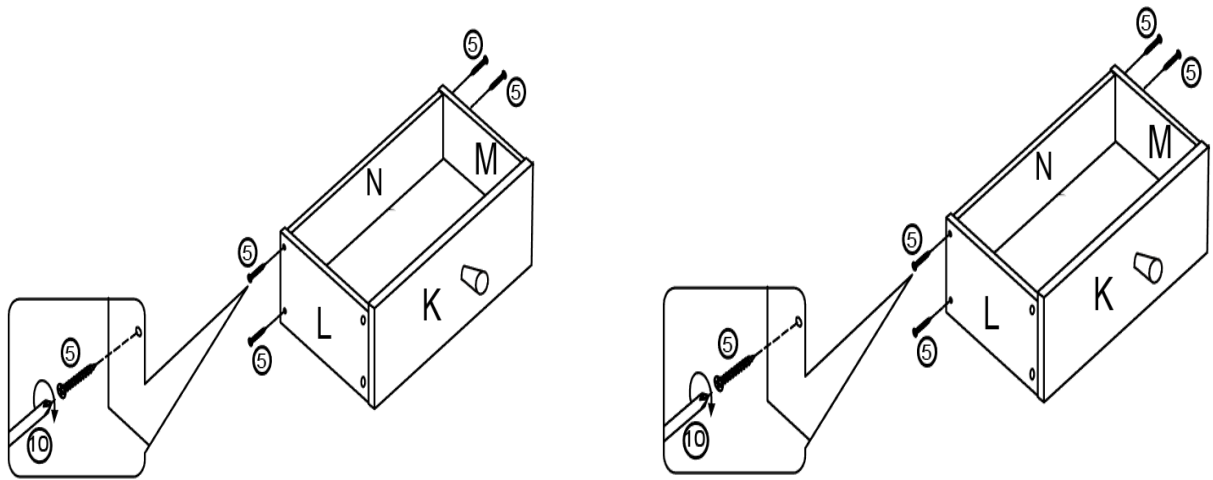
Attach Cam Bolt on the Drawer Front Panel(K) to Drawer Left Side Panel(L) and Drawer Right Side Panel(M), Insert Cam Nut(③) into the mounting positions on Drawer Left Side Panel(L) and Drawer Right Side Panel(M), lock Cam Nut(③) by Screwdriver(⑩).
Note: The grooves of the Drawer Front Panel, Drawer Left Side Panel and Drawer Right Side Panel should all be aligned.

Step 11



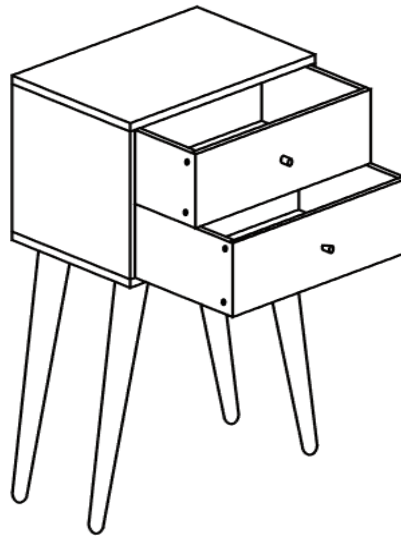
Insert Drawer Base Panel(O) into the grooves on the Drawer Left Side Panel(L), Drawer Right Side Panel(M) and Drawer Front Panel(K).

Step 12



Attach Drawer Back Panel(N) to the Drawer Left Side Panel(L) and Drawer Right Side Panel(M) using Screws(5) with Screwdrivers (10).

Step 13

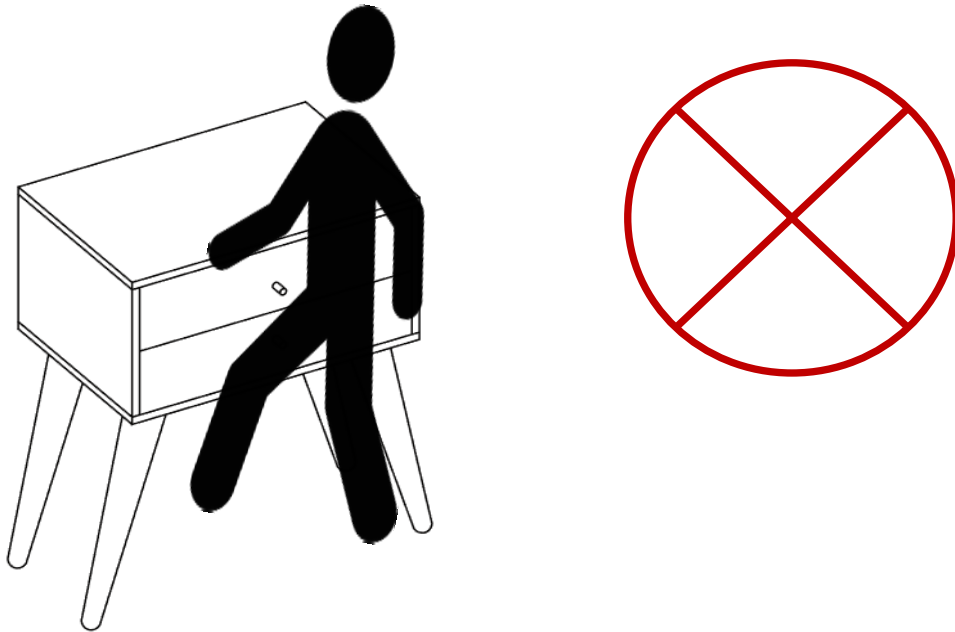


Carefully insert the drawers into the Nightstand along the Runners and Runner Tracks.



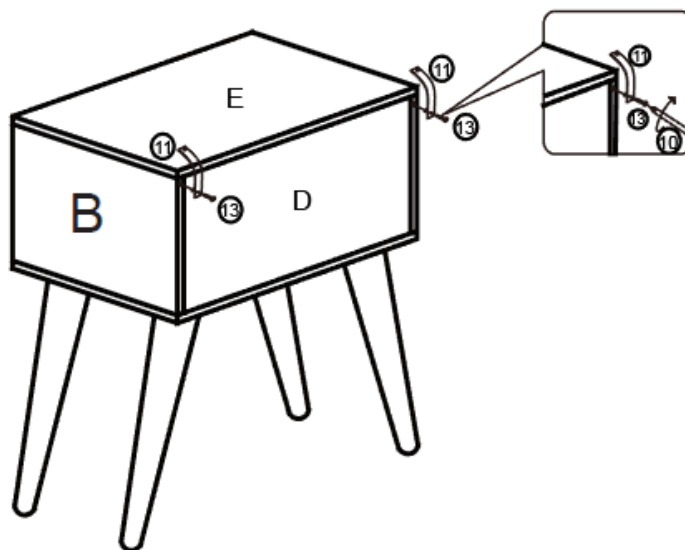
WARNING

Serious or fatal crushing injuries can occur from tipping furniture. To help prevent tip-over: ALWAYS secure this furniture to the wall using Cabinet Restraint Device. See product instructions for more ways to help prevent furniture tip-over.



Usage For Cabinet Restraint Device:

Step 14

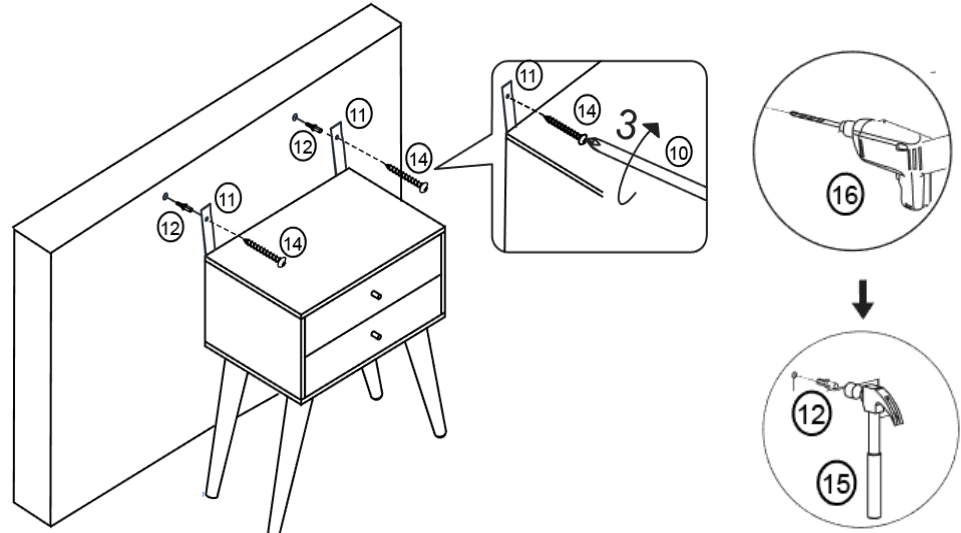


Turn the Nightstand so the back faces you.

Drill two mounting positions on back of Nightstand with Power Drill(16) as shown.

Attach Restraint Strap(11) to the Left Side Panel(A) and Right Side Panel(B) using Screw(13) with Screwdrivers (10).

Step 15



Drill two holes on wall with Power Drill(16).

You can mark these points in two ways as below:

Move the Cabinet back to the wall.

Note: The restraint strap need to be secured to solid, load bearing surface. Please use a Stud Finder(not supplied) if needed to locate the Wall Frame.

15.1) Measure the height of Restraint Strap (11) with ruler/measuring tape and mark on wall to keep them accurate and same height.

15.2) Insert Wall Anchor (12) into drilled mounting positions on wall with Hammer(15).

15.3) Attach Restraint Strap(11) to Wall Anchor(12) using Screws(14) with Screwdriver(10).

This Nightstand can only be used on a flat, level surface.

Care & Maintenance



- Do not put hot items directly on furniture surface



- Do not clean furniture with harsh cleansers or polish.



- Do not place furniture under direct sunlight.



- Do not place furniture near heating or cooling vents.



- Do not write on furniture without a padded barrier to protect the surface.



- Do not place furniture outside . For indoor use only .



- Not for commercial use. For residential use only .



- Stains may be removed with mild soap solution and damp cloth.



- Children should not climb or jump on the furniture.



- Dust and pick-up spills using a clean, non-colored, lint-free cloth .