

OWNERS GUIDE AND INSTALLATION INSTRUCTIONS



READ AND SAVE THESE INSTRUCTIONS

Safety Information

- All wiring must be in accordance with the National Electrical Code “ANSI/NFPA 70” and local electrical codes. Electrical installation should be performed by a qualified licensed electrician.
- The fan must be mounted with a minimum of 7 ft (2.1 m) clearance from the trailing edge of the blades to the floor.
- Avoid placing objects in the path of the blades.
- To avoid personal injury or damage to the fan and other items, be cautious when working around or cleaning the fan.
- Do not use water or detergents when cleaning the fan or fan blades. A dry dust cloth or lightly dampened cloth will be suitable for most cleaning.
- After making electrical connections, spliced conductors should be turned upward and pushed carefully up into the outlet box. The wires should be spread apart with the grounded conductor and the equipment-grounding conductor on one side of the outlet box and ungrounded conductor on the other side of the outlet box.
- All set screws must be checked and retightened where necessary before installation.
- This appliance is not intended for use by persons (including children) with reduced physical, sensory or mental capabilities, or lack of experience and knowledge, unless they have been given supervision or instruction concerning use of the appliance by a person responsible for their safety.
- Children should be supervised to ensure that they do not play with the appliance.
- The fixing means for attachment to the ceiling such as hooks or other devices shall be fixed with a sufficient strength to withstand 4 times the weight of the ceiling fan.
- The replacement of parts of the safety suspension system device shall be performed by the manufacturer, its service agent or suitably qualified persons.
- The net weight of this fan including the light kit is: 13.73 lbs.

WARNING

- Before you begin installing the fan, shut power off at the circuit breaker of the fuse box.
- To reduce the risk of personal injury, use only the screws provided with the outlet box.
- Be sure outlet box is properly grounded and that a ground wire (green or bare) is present.
- The outlet box and support structure must be securely mounted and capable of reliably supporting a minimum of 35 lb (15.9 kg) or less. Use only UL Listed outlet boxes marked “FOR FAN SUPPORT.”
- To reduce the risk of personal injury, do not bend the blade arms, when installing the brackets, balancing the blades or cleaning the fan.
- To reduce the risk of fire, electric shock, or injury to persons, observe the following:
 - a) Use this unit only in the manner intended by the manufacturer. If you have questions, contact the manufacturer.
 - b) Before servicing or cleaning unit, switch power off at service panel and lock the service disconnecting means to prevent power from being switched on accidentally. When the service disconnecting means cannot be locked, securely fasten a prominent warning device, such as a tag, to the service panel.
- To reduce the risk of fire, electric shock or personal injury, mount the fan to an outlet box marked acceptable for fan support with the screws provided with the outlet box.
- To reduce the risk of fire, electric shock or injury to persons, do not use replacement parts that have not been recommended by the manufacturer (e. g. parts made at home using a 3d printer).
- To reduce the risk of electric shock, this fan must be installed with a general-use, isolating wall control/switch. Turning off the isolating wall switch can override any smart enabled or remote operation commands.

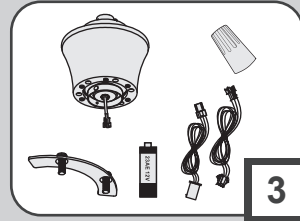
Table of Contents

Congratulations on purchasing your new ceiling fan! It will provide comfort and performance in your home or office for many years. This installation and operation manual contains complete instructions for installing and operating your fan.

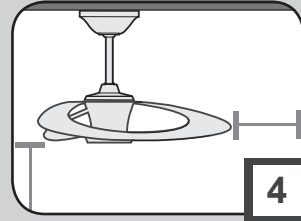
We are proud of our work and appreciate the opportunity to supply you with the best ceiling fan available anywhere in the world.

To register your fan, please contact us.
Save your receipt for proof of purchase.

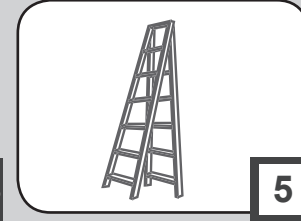
Unpacking Your Fan



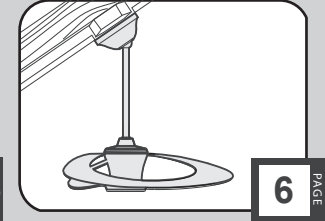
Pre-Installation



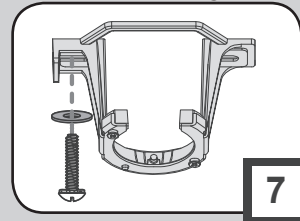
Tools Needed



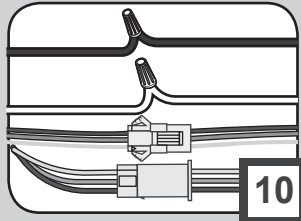
Mounting Options



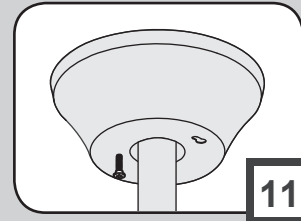
Assembly



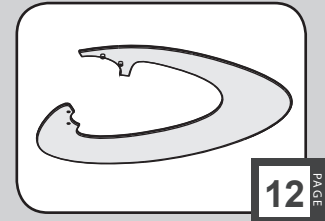
Wiring



Canopy

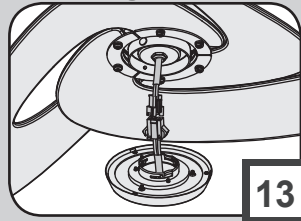


Blades

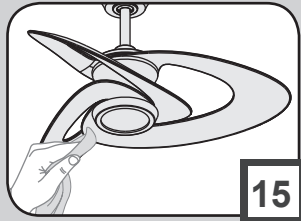
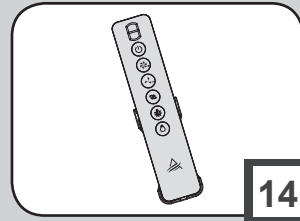


Operation, Maintenance & Cleaning

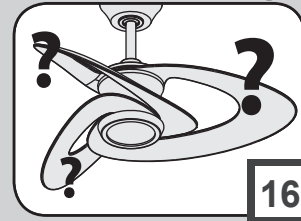
Light Kit



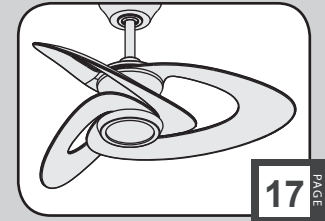
Remote Control



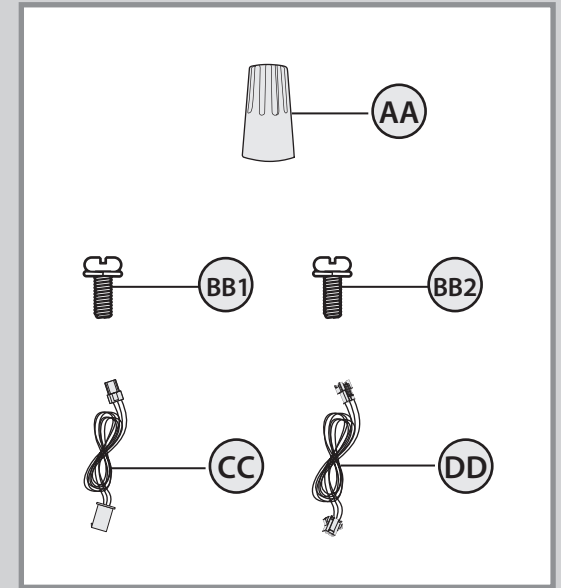
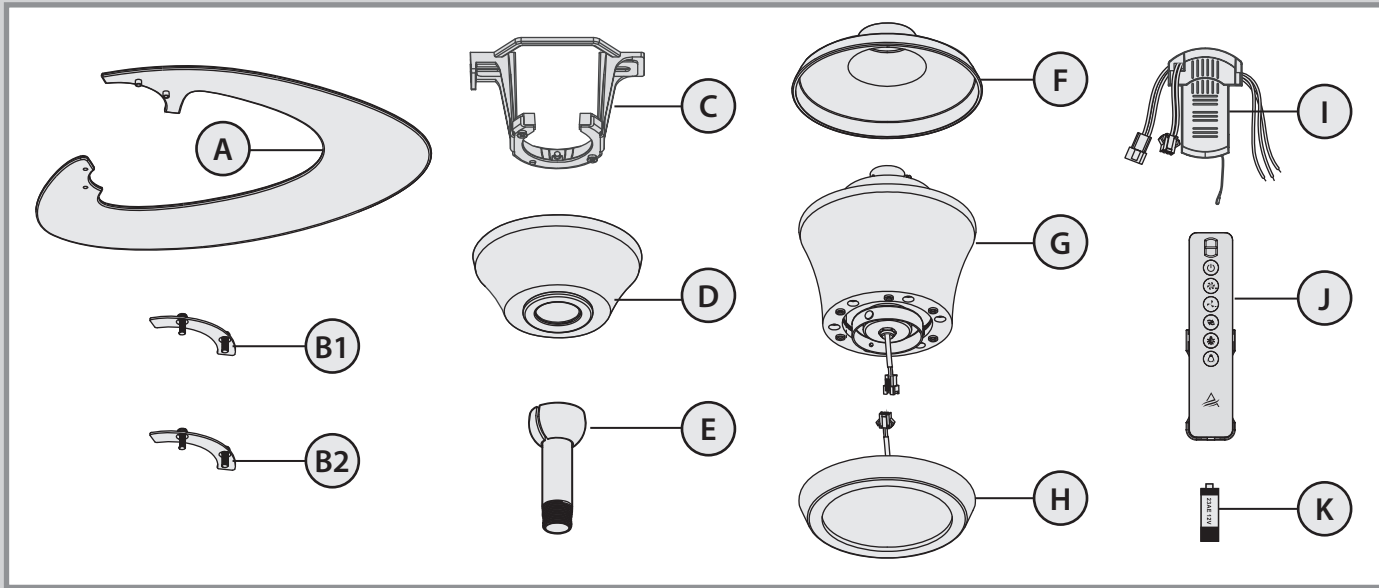
Troubleshooting



Specifications



1. Unpacking Your Fan



- A. Fan blades (3)
- B1. Upper blade support plates (3)
(with 1/4" x 25mm screws & lock washers)
- B2. Bottom blade support plates (3)
(with 1/4" x 18mm screws & lock washers)
- C. Mounting bracket
- D. Canopy assembly
- E. Ball/downrod assembly
- F. Coupling cover
- G. Fan motor assembly
- H. 20W LED light kit
- I. Receiver
- J. Transmitter incl. holder + 2 mounting screws
- K. 12V MN21/A23 battery

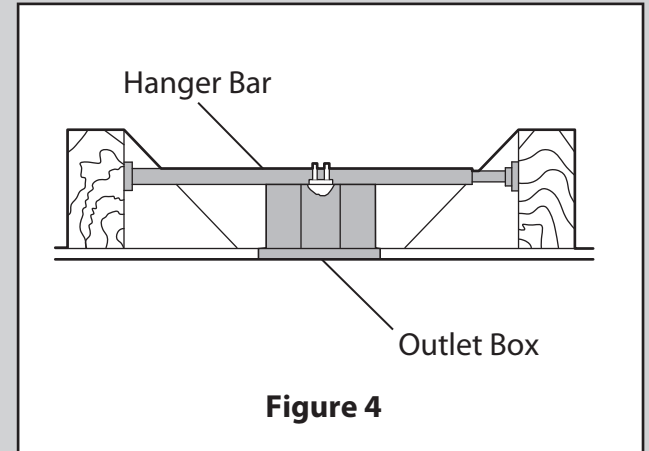
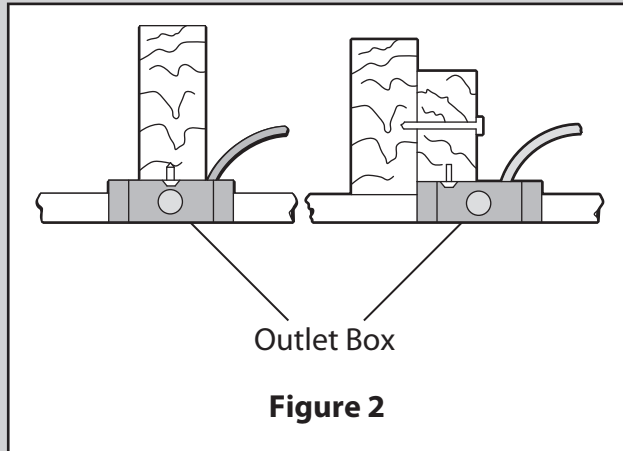
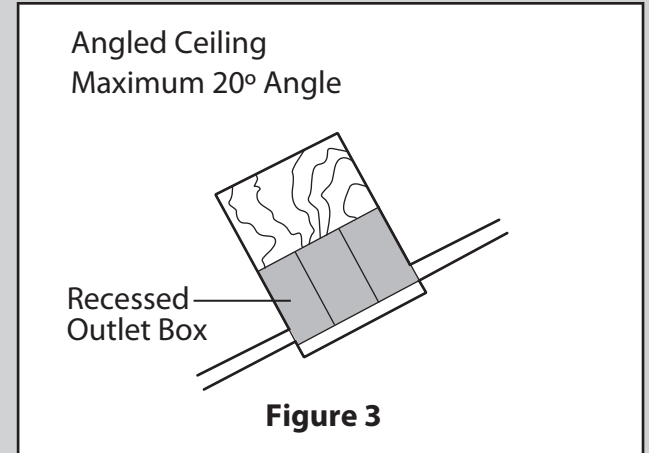
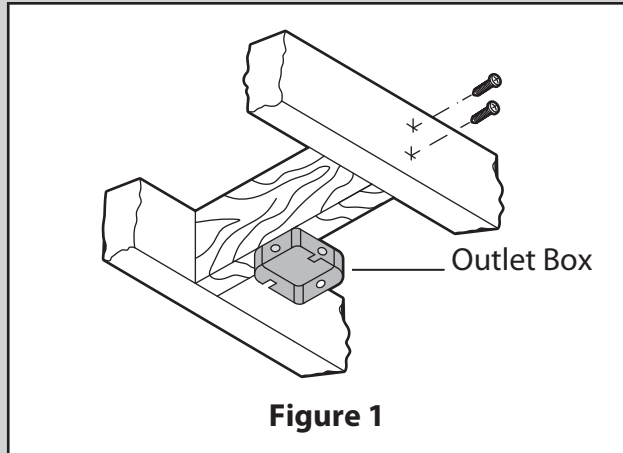
- Loose parts bag containing:
- AA. Mounting hardware
 - Wire nuts (3) + 1 extra
 - BB1. Blade attachment screw with lock washer (1
(for upper blade) (additional)
 - BB2. Blade attachment screw with lock washer (1
(for bottom blade) (additional)
 - CC. Extension Cords (use longer downrod)
18" and 48" 3-Pin white connectors (2)
 - DD. Extension Cords (use longer downrod)
18" and 48" 3-Pin black connectors (2)

2. Pre-Installation

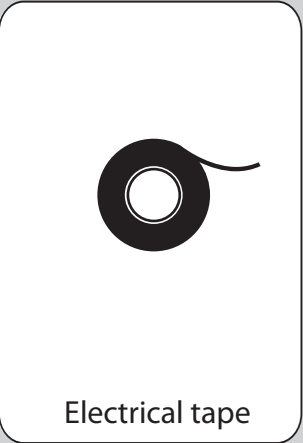
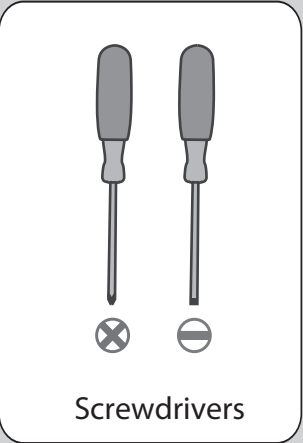
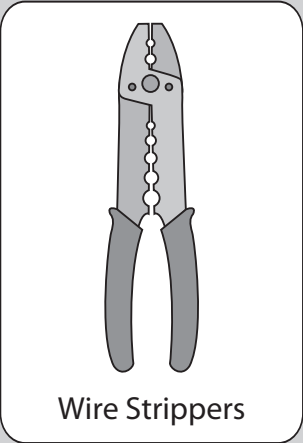
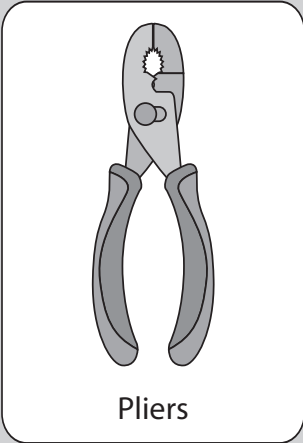
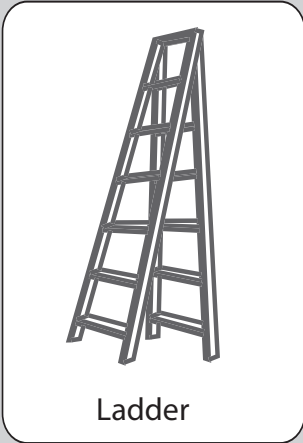
MOUNTING OPTIONS: If there isn't an existing cUL listed mounting box, then read the following instructions. Disconnect the power by removing fuses or turning off circuit breakers. Secure the outlet box directly to the building structure. Figure 1 and Figure 2 /or Figure 3. Use appropriate fasteners and building materials. The outlet box and its support must be able to fully support the moving weight of the fan (at least 35 lbs (15.9 kg) or Less). Do not use plastic outlet boxes.

To hang your fan where there is an existing fixture but no ceiling joist, you may need an installation hanger bar as shown in Figure 4, available in most hardware and home center stores.

WARNING: To reduce the risk of fire, electric shock, or personal injury, mount to outlet box marked "Acceptable for Fan Support of 35 lbs (15.9 kg) Or Less" and use mounting screws provided with the outlet box. Most outlet boxes commonly used for the support of light fixtures are not acceptable for fan support and may need to be replaced. Due to the complexity of the installation of this fan, a qualified licensed electrician is strongly recommended.

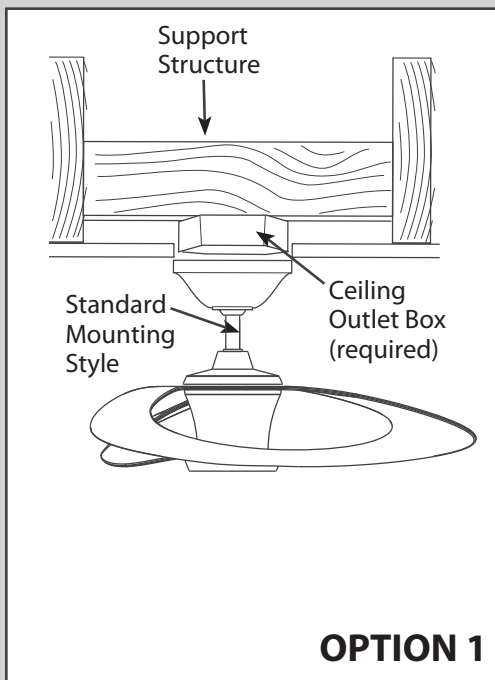


3. Tools Needed

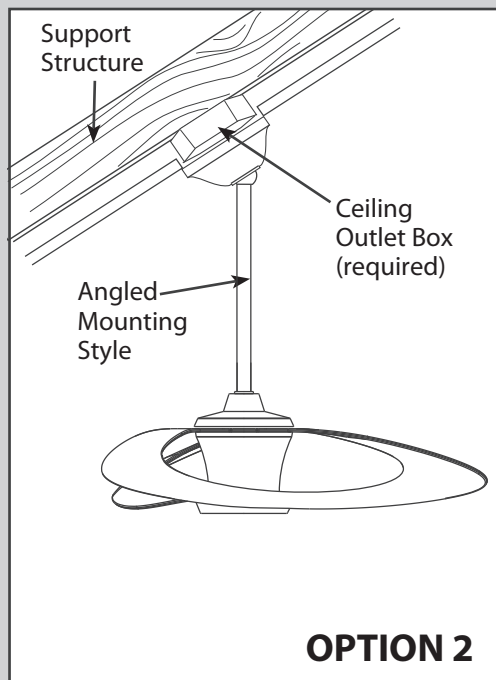


If mounting to a support structure, you will also need these tools.

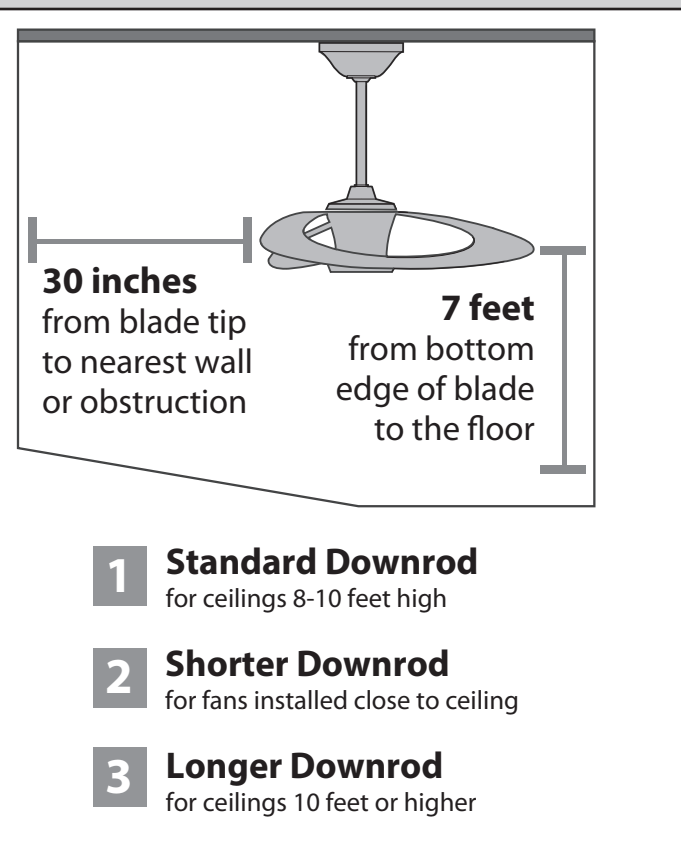
4. Mounting Options



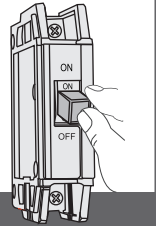
Use **Standard Mounting** to hang the fan from a flat ceiling.



Use **Angled Mounting** to hang the fan from a vaulted or angled ceiling.

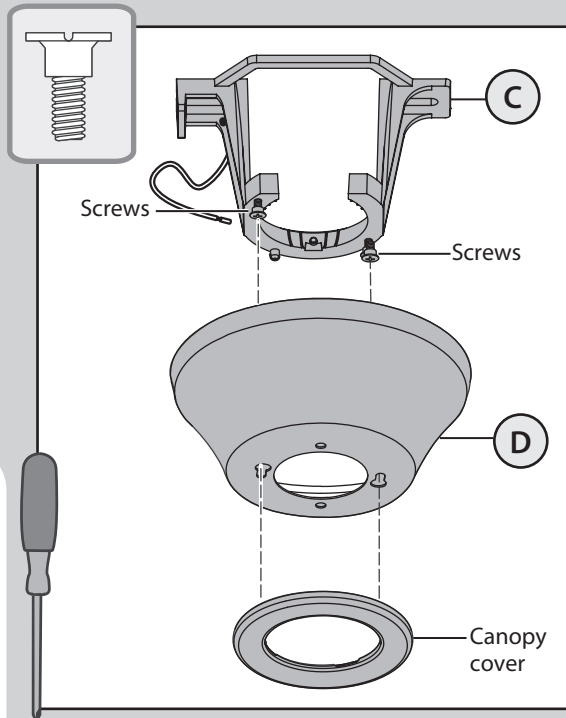


5. Assembly

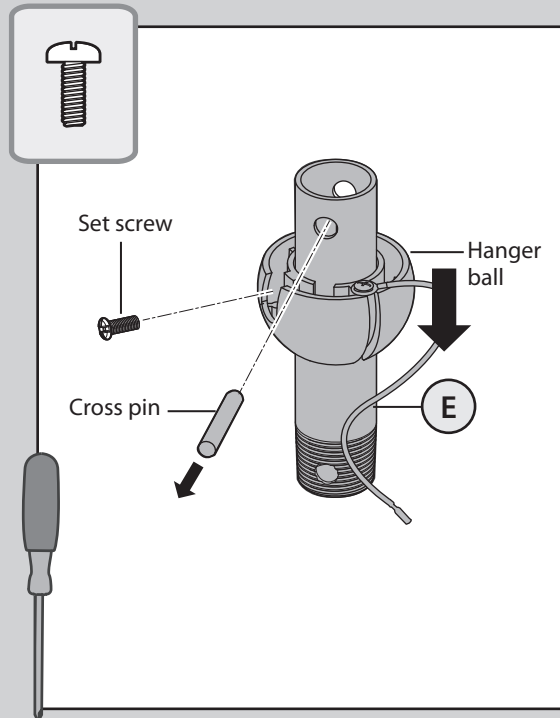


Turn Power
OFF

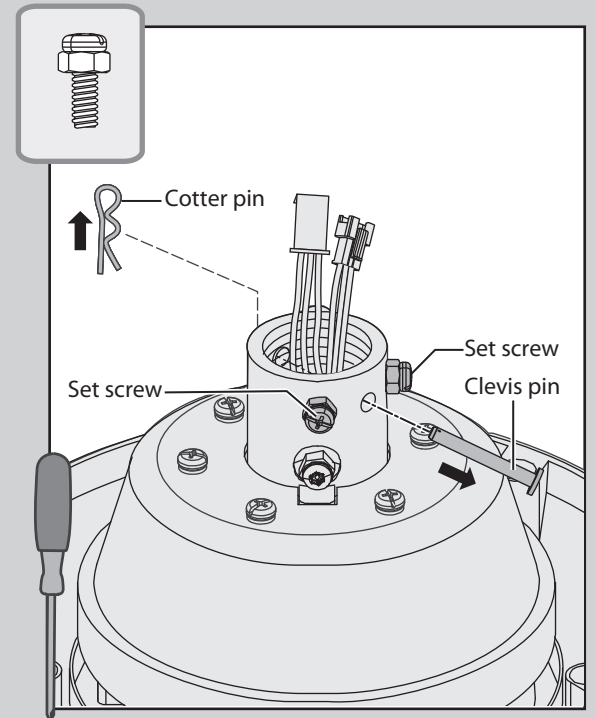
It is critical that the clevis pin in the downrod support is properly installed and the set screws and nuts are securely tightened. Failure to do so could result in the fan falling.



- ⊗ Remove the canopy bottom cover from the canopy (D) by turning the canopy bottom cover counterclockwise. Remove the mounting bracket (C) from the canopy (D) by loosening canopy mounting screws a half turn from the screw head. Next, turn the canopy (D) counterclockwise to remove the mounting bracket (C) from the canopy (D).

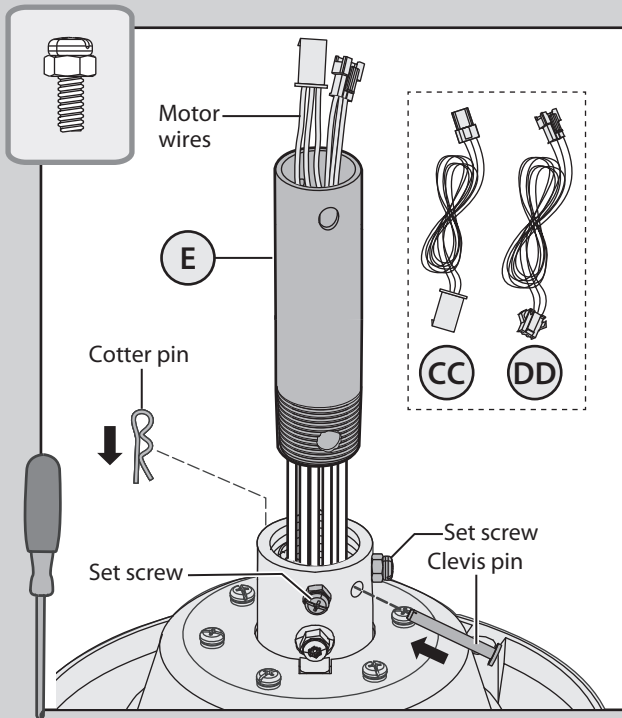


- ⊗ Take out the set screw located in the hanger ball, lower the hanger ball and remove the cross pin. Remove the hanger ball from the hanger ball/downrod assembly (E).



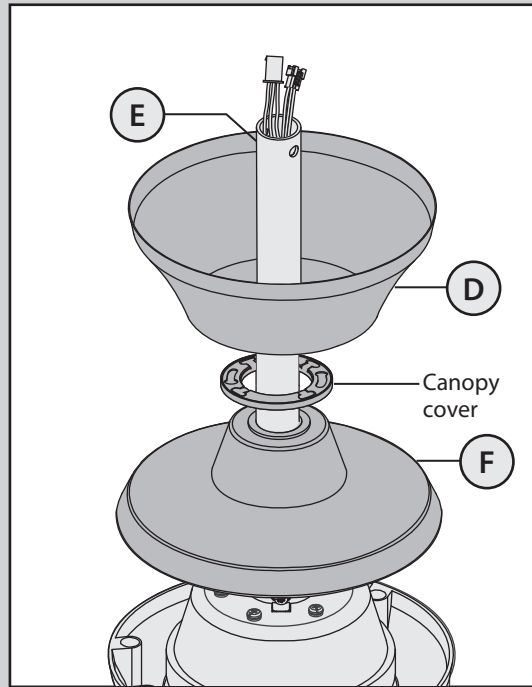
- ⊗ Remove the cotter pin and clevis pin, and loosen the two collar set screws from the motor collar.

5. Assembly

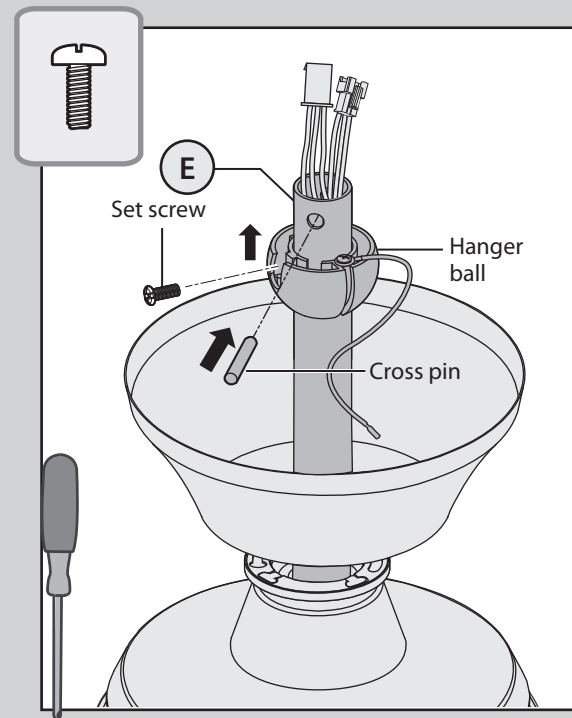


- ⊗ Carefully feed the motor wires up through the downrod (E). Thread the downrod (E) into the motor collar. Align the holes and replace the coter pin and clevis pin. Tighten the two collar set screws.

NOTE: If a longer downrod (not included) is needed, Be sure to snap together the two 3-pin connectors, the two male plugs from the fan and female plugs from the 3-pin extension cords (CC and DD).



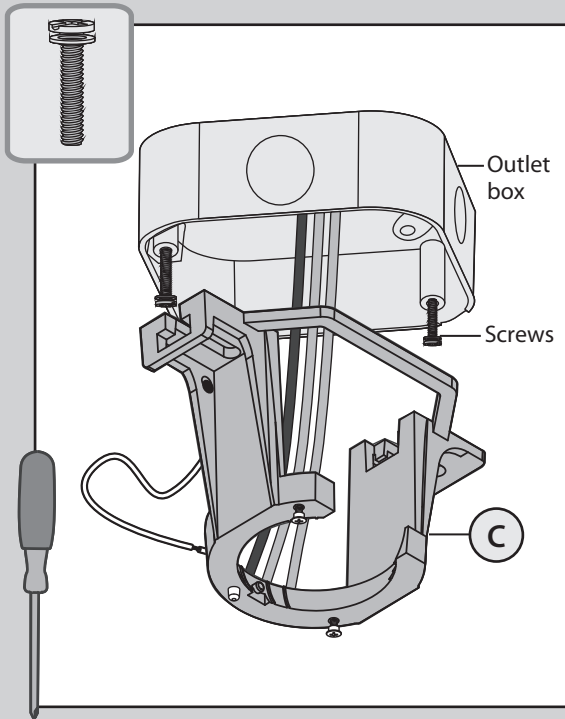
- Slip the coupling cover (F), the canopy bottom cover, and the canopy (D) onto the downrod (E).



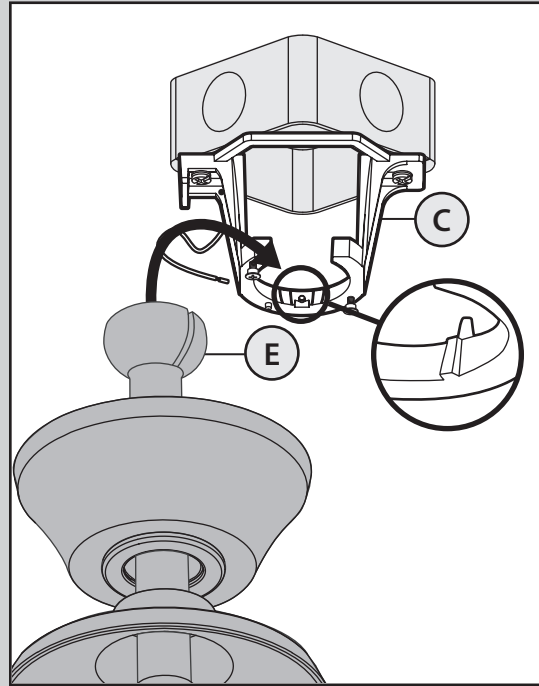
- ⊗ Carefully reinstall the hanger ball onto the downrod (E). Being sure that the cross pin is in the correct position, the set screw is tightened and wires are not twisted.

5. Assembly

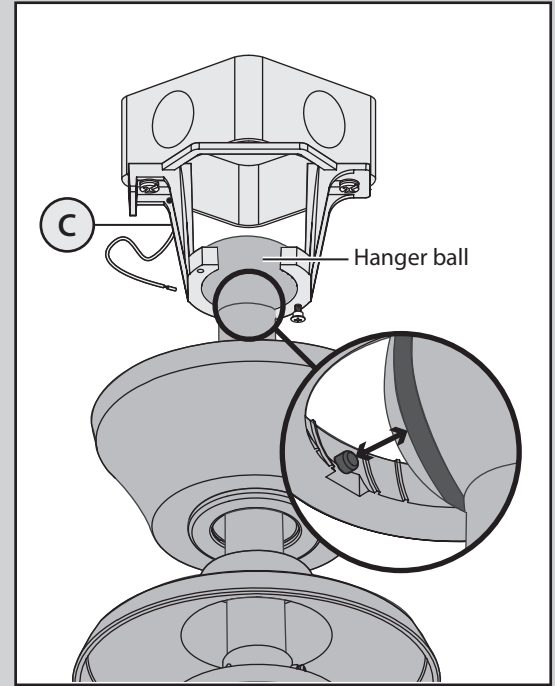
To reduce the risk of fire, electric shock or other personal injury, mount the fan only to an outlet box or supporting system marked acceptable for fan support and use the mounting screws provided with the outlet box.



- ⊗ Pass the 120-Volt house supply wires through the center hole in the mounting bracket (C). Attach the mounting bracket (C) on the outlet box by sliding the mounting bracket (C) over the screws provided with the outlet box. Note that the flat side of the mounting bracket (C) is toward the outlet box. Securely tighten the two mounting screws.



Carefully lift the fan motor assembly up to the mounting bracket (C) and seat the hanger ball/downrod (E) assembly in the mounting bracket socket.



Turn assembly until the tab on the mounting bracket socket is properly seated in the groove in the hanger ball. This will help to balance the ceiling fan.

6. Wiring

Check to see that all connections are tight, including ground, and that no bare wire is visible at the wire nuts, except for the ground wire.



Do not use with a wall light dimmer switch.



NOTE: The fan must be wired with receiver for it to work properly. The fan cannot be directly wired to a wall switch.

NOTE: The fan must be installed at a maximum distance of 20 ft. from the remote control for proper signal transmission between the remote control and the fan's receiving unit.

NOTE: Leave the antenna inside the canopy and make sure it is not obstructed or damaged.

If you feel you do not have enough electrical wiring knowledge or experience, have your fan installed by a licensed electrician.

Follow the steps below to connect the fan to your household wiring. Use the plastic wire nuts (AA) with your fan. Secure the plastic wire nuts (AA) with electrical tape. Make sure there are no loose wire strands or connections.

1. Make wire connections from the fan motor assembly to the receiver (I).

From fan

To receiver

3-Pin black connector----- 3-Pin black connector
3-Pin white connector----- 3-Pin white connector

2. Make wire connections from the receiver to the outlet box as follows, using the wire nuts (AA).

From receiver

To outlet box

Black wire "AC in L"----- Black wire (hot)
White wire "AC in N"----- White wire (neutral)

From fan and receiver To outlet box

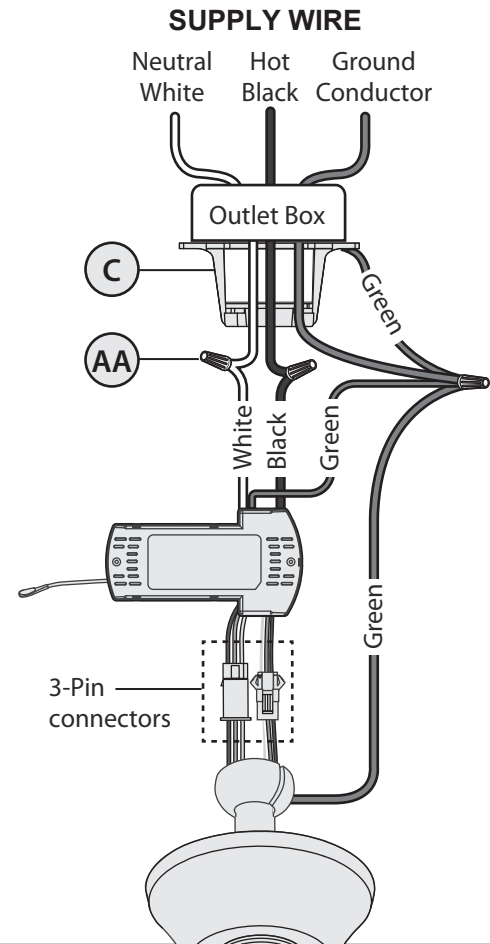
Green / yellow wire*----- Green or bare wire (ground)

* There are three green grounding leads: one from the mounting bracket (C), one from the downrod. There is one green/yellow grounding lead from the receiver (I).

Hardware Used



Wire Nut  x 3



6. Wiring

Make sure no bare wire or wire strands are visible after making connections. Place GREEN and WHITE connections on opposite side of box from the BLACK connections.



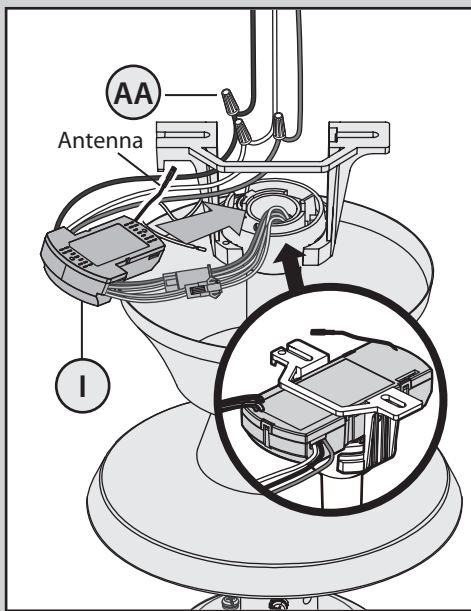
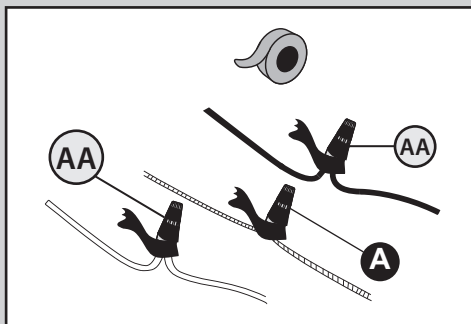
Wrap electrical tape (not included) around each individual wire nuts (AA) down to the wire.

Turn spliced/taped wires upward and gently push wires and wire nuts (AA) into outlet box.

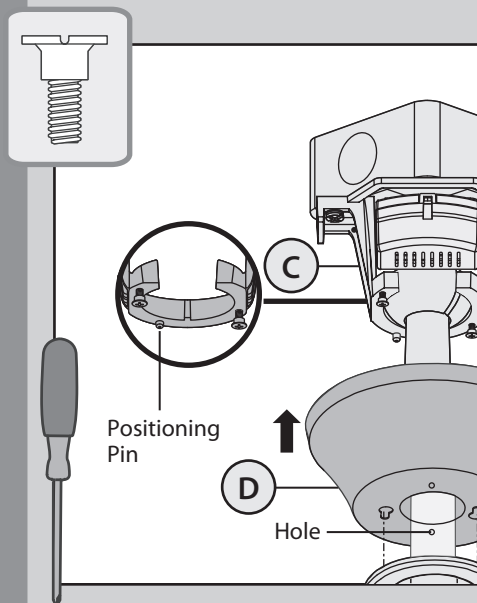
Gently slide remote control receiver flat side towards the ceiling into mounting bracket (AA). Turn spliced/taped wires upward and gently push wires and wire nuts (AA) into outlet box. Let antenna from remote control receiver hang to the side.

NOTE: The remote control included with this fan meets the following requirements:
a. Not for use with solid state fans.
b. Electrical rating: 120V/60 Hz; motor amps: 1.5 MAX.

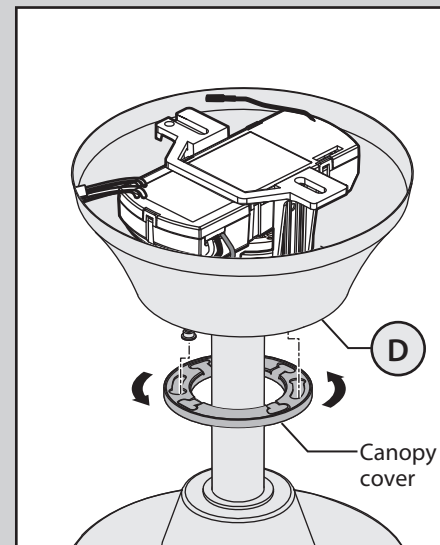
Should you choose to use a different remote control with this fan, it must also meet these same requirements.



7. Canopy



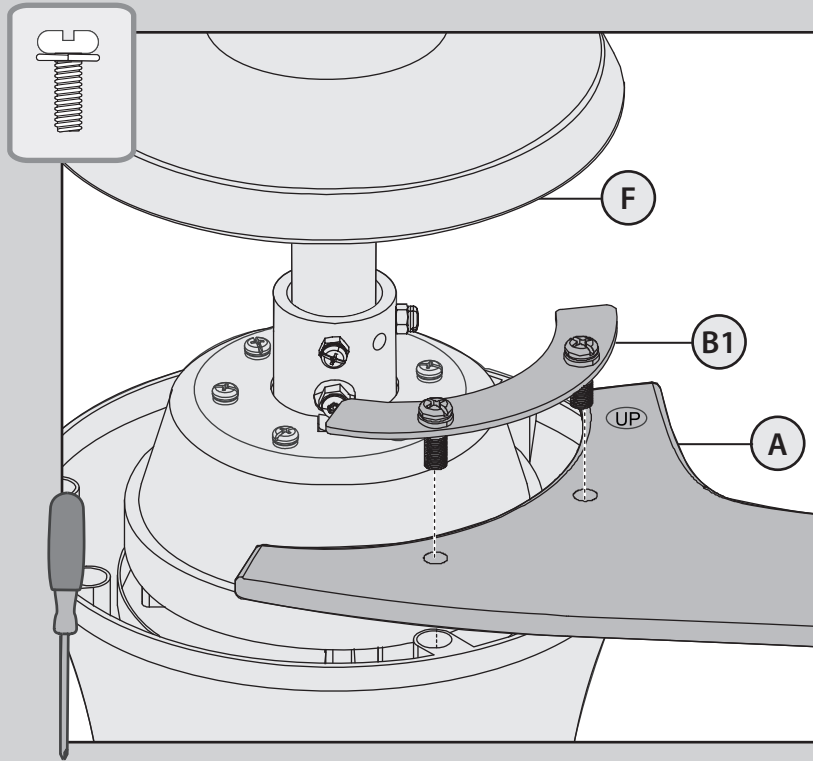
Slide the canopy (D) up to the mounting bracket (C) and place the key holes on the canopy over the loose canopy mounting screws on the mounting bracket (C). Turn the canopy clockwise until it locks in place at the narrow section of the key holes. Make sure the positioning pin on the mounting bracket falls into one of two holes on the canopy, and then tighten the two canopy mounting screws.



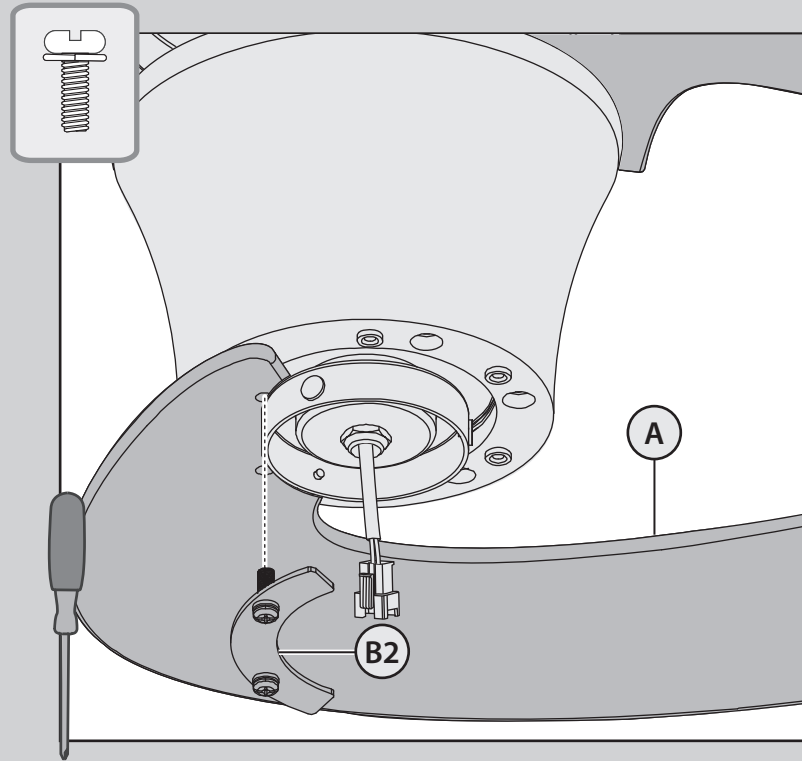
Attach the canopy bottom cover to the canopy (D) by inserting the screw heads into the key slots in the canopy bottom cover and rotating it clockwise.

NOTE: Adjust the canopy mounting screws as necessary until the canopy and canopy bottom cover are snug.

8. Blades

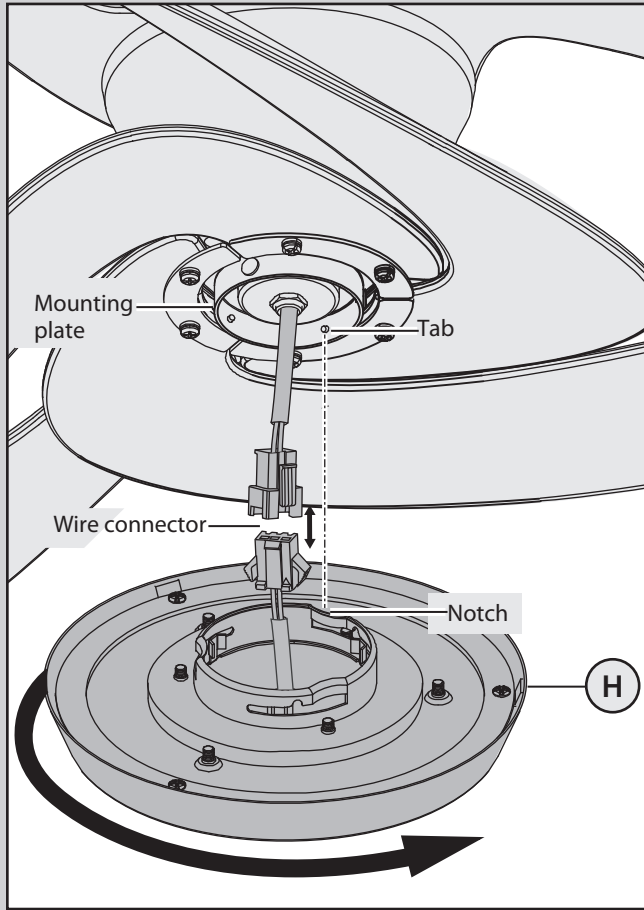


- ⊗ Step 1: Carefully push the coupling cover(F) upward. Start installing the blade (A) from the upper end of the ceiling fan, making sure the "UP" side of the blades is facing up. Secure the blade (A) to the motor using the upper blade support plate with screws (B1) provided. Make sure the screws are tight.



- ⊗ Step 2: Install the blade (A) from the lower end of the ceiling fan. Secure the blade (A) to the motor using the bottom blade support plate with screws (B2) provided. Make sure the screws are tight. Follow steps 1 and 2 in sequence and repeat this process for the other two blades (A).

9. Light Kit



Before starting installation, disconnect the power by turning off the circuit breaker or removing the fuse at the fuse box. Turning power off using the fan switch is not sufficient to prevent electric shock.



NOTE: *If the light kit can be wobbled by hand, it means the light kit is not twisted completely tight. Keep twisting the light kit until it can not be wobbled by hand.*

While holding the 20W LED light kit (H) under the fan motor assembly, snap together the wire connection plugs.

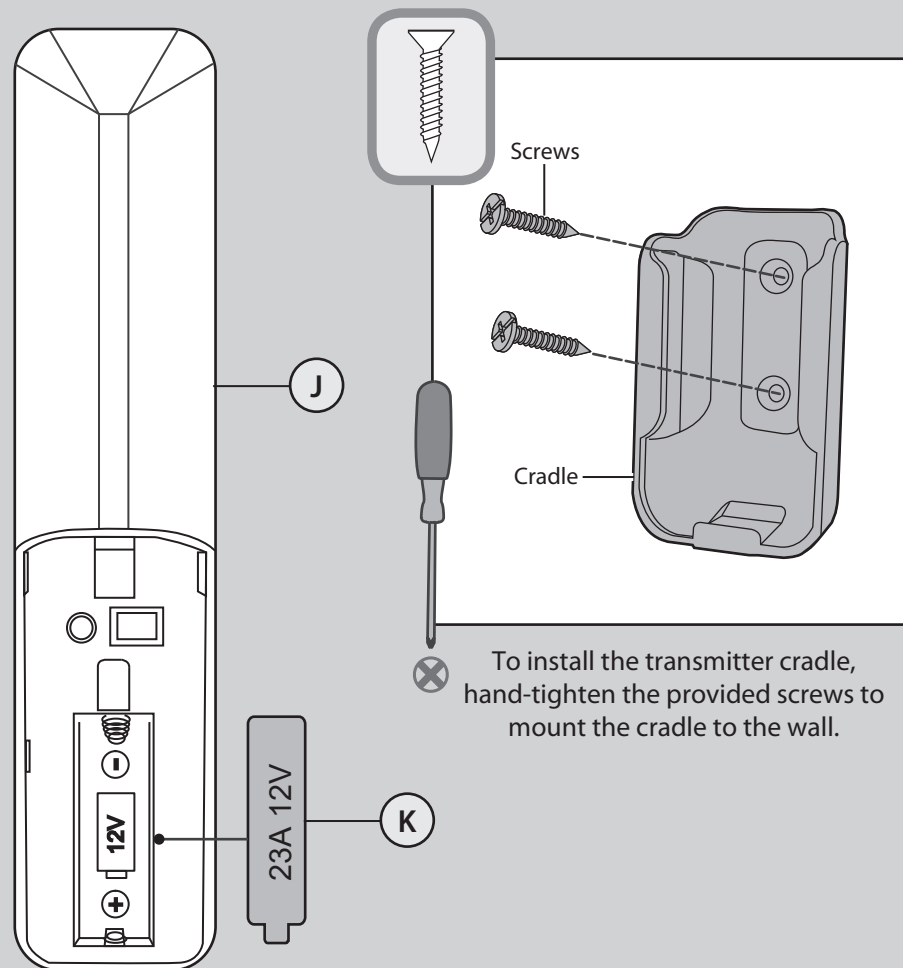
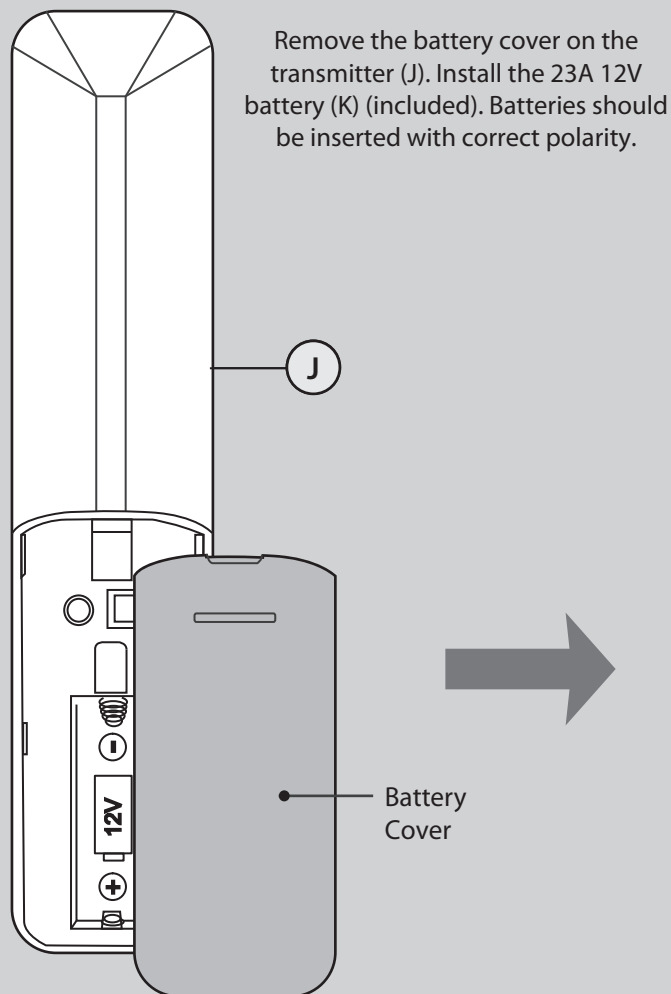
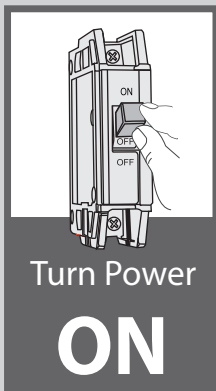
Position the notches in the outer rim of the 20W LED light kit (H) so they line up with the tabs on the inside of the rim on the light kit mounting plate. Carefully lift the 20W LED light kit (H) up inside the light kit mounting plate and secure it to the fan by turning the 20W LED light kit (H) clockwise until clicks snug.



CONGRATULATIONS!
YOU'RE DONE with your
ceiling fan assembly.
Now let's attach the
remote control.
Go to the next page.





10. Remote Control




11. Operation, Maintenance & Cleaning





 Power ALL button: Press and release the power button to turn the fan and light on or off.

 Increases Fan Speed: Indicator increases. Maximum speed is 6. When fan is off. Return fan speed to previous remote setting.

 Decreases Fan Speed: Indicator decreased. Minimum speed is 1. When fan is off. Return fan speed to previous remote setting.

 Fan Reverse: This button is to control fan direction.

 Light On/Off: Press and hold for full range dimming. When Max and MIN brightness receiver beeps. When light is off. Tap the button to turn light back on to previous dimming from controller. When light is off. Press and hold, when release the button turn light back on to previous dimming from controller.

 Push and release the button to cycle through the five color temperature options.

Option 1: 2700K (Warm White)


Option 2: 3000K (Soft White).

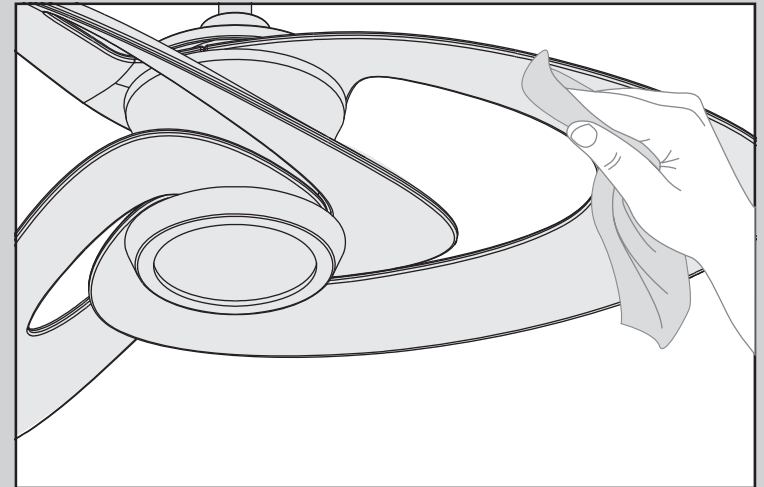
Option 3: 3500K (Neutral White)

Option 4: 4000K (Bright White).

Option 5: 5000K (Daylight).

NOTE: This unit is equipped with an automatically learned type remote control. There are no frequency switches on the receiver and transmitter; the receiver unit will automatically scan the frequency from the handheld remote if any changes are made.

With the fan's power off, restore power to the fan. Press and hold "  " button for about 5 seconds and release. If optional light kit is installed, the light kit will flash twice and the signal light on the handheld remote will come on when the button is pressed. The fan has completed the pairing process with the handheld remote and is ready for use.



For cleaning the fan, use dry soft brushes or dry cloths to prevent scratching. Cleaning products may damage the finishes.

12. Troubleshooting

To reduce the risk of electric shock, disconnect the electrical supply circuit to the fan before trouble shooting.



Fan doesn't work

- Press a fan speed button (1-6).
- Check the circuit breaker to ensure the power is turned on.
- Check the remote control battery.
- Make sure the blades spin freely.
- Turn off power from the circuit breaker, then loosen the canopy and check all the connections according to the wiring diagram on page 8.

Excessive wobbling

- Tighten all of the blade screws until they are snug.
- Turn the power off, support the fan carefully, and check that the hanger ball is properly seated.

Remote doesn't work

- Install a fresh battery in the remote control.

Noisy Operation

- Tighten the blade and blade iron screws until they are snug.
- Check to see if any of the blades are cracked. If so, replace all of the blades.

Fan speeds are incorrect

- Turn power from the circuit breaker off and back on, then run the fan on speed "6" for at least 90 seconds and check the fan speeds again.

AUTHORIZED SERVICE CENTERS

For the most updated list of Authorized Service Centers.


13. Specifications

AVERAGE PERFORMANCE AND ENERGY INFORMATION

ENERGYGUIDE

Estimated
Yearly Energy Cost

\$6



Cost Range of Similar Models (19" – 84")

- Based on 12 cents per kWh and 6.4 hours use per day
- **Your cost depends on rates and use**
- Energy Use: 21 Watts

Airflow

2,767

Cubic Feet Per Minute

- The higher the airflow, the more air the fan will move
- Airflow Efficiency: 132 Cubic Feet Per Minute Per Watt

All estimates based on typical use, excluding lights ftc.gov/energy

SPECIFICATIONS

FAN SIZE	SPEED	VOLTS	AMPS	WATTS	RPM	CFM	N.W.	G.W.	C.F.
36 in.	Low (speed 1)	120	0.046	1.47	49	856	6.23 kg	8.43 kg	2.21
	High (speed 6)		0.28	33.6	245	4453	(13.73 lb)	(18.58 lb)	cu. ft.

14. Warranty

LIMITED LIFETIME WARRANTY

Fan motors are guaranteed to be free from electrical or mechanical defects for the original purchaser as long as they own the fan. The reverse or pull chain switches, metal finishes, and capacitors are covered against defects in workmanship or materials for one (1) year from the date of purchase. Please note that blades made from wood or plastic are not included in this warranty, nor does it cover corrosion or deterioration of finishes on fans located within ten miles of a coastline. Ceiling fans equipped with LED light modules are warranted against defects causing light failure for five years from the date of purchase when installed in a single-family residence, or for three years when used in multi-family or commercial settings. However, LED bulbs are only covered by the warranty provided by their respective manufacturers. If the original owner has proof of purchase, they may return a defective fan to the retailer within the first 30 days for a replacement. After this period, the purchaser must contact us directly for repair or replacement, which will be determined solely by us. Please note that labor and shipping costs are not included in this warranty. Additionally, this warranty does not cover expenses related to the installation, removal, or replacement of a fan, nor does it extend to normal wear and tear or improper installation.