

8009 Free Standing Faucet Installation

For easy installation of your faucet, please ensure the following:

- Read thoroughly all the instructions before installing the faucet.
- Read and understand all warnings
- Check all the components in the package.

PLEASE CAREFULLY READ THIS INSTRUCTIONS MANUAL BEFORE INSTALLING AND USING THE PRODUCT.

PLEASE KEEP THIS INSTRUCTION MANUAL FOR FUTURE REFERENCE REGARDING PRODUCT OPERATION AND MAINTENANCE.

Attention: Before you install the faucet,

- 1) Please make sure the direction of the faucet should face to.
- 2) Please divide the hot water and cold water.
- 3) Please make sure you shut off the water supply.

Tools you may need.



Electric drill



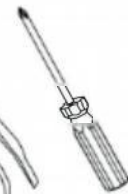
Safety goggles



Adjustable wrench



Pliers



Screwdriver

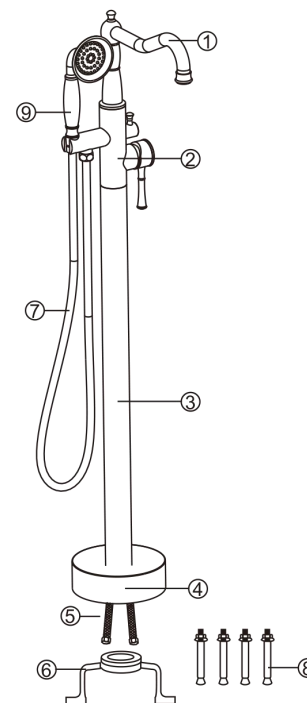


Pencil

Cleaning and Maintenance

Maintenance should be careful when cleaning this product. Although its finish is durable, it can be damaged from harsh abrasives and cleaning pads.

Package contents:

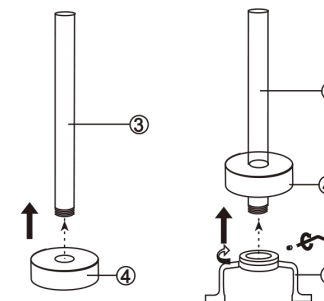


Accessory list:

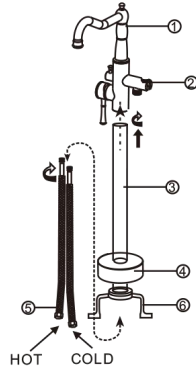
- 1) Tub filler spout
- 2) Mixer
- 3) Standing pipe
- 4) Escutcheon
- 5) Water supply lines(2 pcs)
- 6) Fix bracket base
- 7) Shower hose
- 8) Fix screw set(4 pcs)
- 9) Hand shower

Installation steps

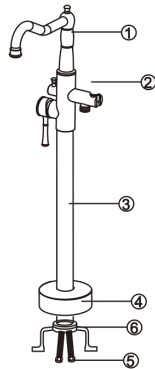
- 1 Place the escutcheon(#4) over the standing pipe(#3) and push it to the base, then turn the fix bracket base to standing pipe



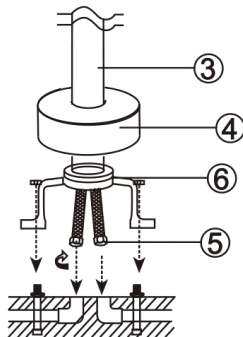
- 2 Turn the inlet supplies to mixer, verify the hot one with red line and the cold one with the blue line. Attach the mixer (#2) to the standing pipe (#3),



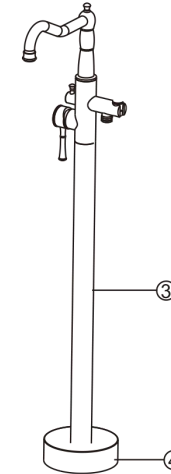
- 3 Making sure the prongs on the top of standing pipe(#3),insert into the hole of the mixer(#2).Install the set and tighten into the standing pipe(#3)



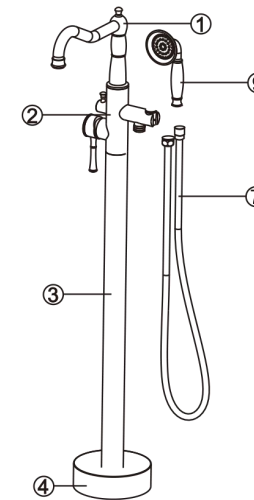
- 4 Mark the locations for the screws with a pencil. With an electric drill,drill three holes for the expansion screws (#8) in the floor. Place the expansion screw(#8) into the holes. Connect the flexible supply lines(#5) to the water supplies.



- 5 Ensure the standing pipe(#3) sits flush against the finished floor surface. Then secure the standing pipe(#3) using screws(#8). Push the escutcheon(#4) over the standing pipe(#3) base so that it sits flush against the finished floor surface.



- 6 Connect one end of the shower hose(#7) to the mixer(#2) and the other end to the shower head (#9).Ensure the washer is placed into each end for seal.



Note: This instruction manual is written for universal use and may be subjected to specification variance of actual parts.