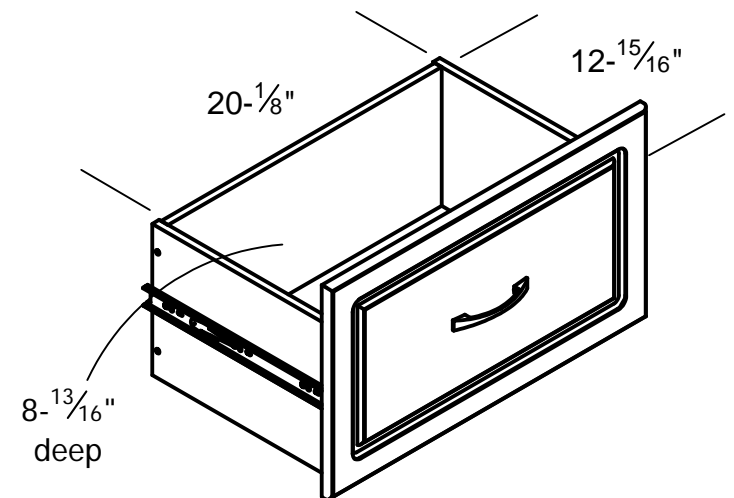
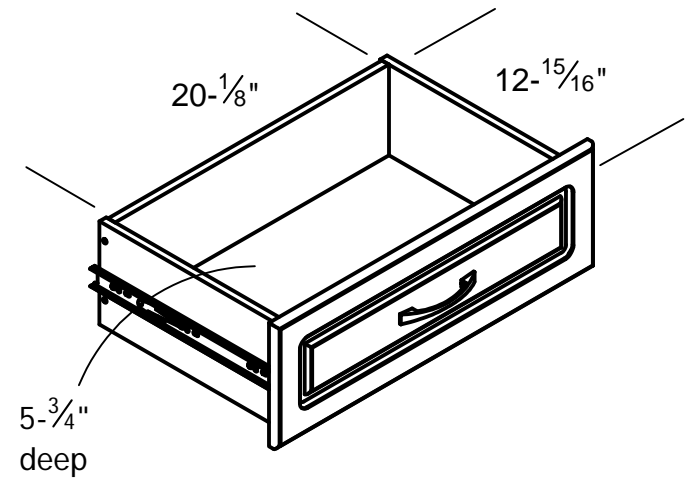


UNIT DESCRIPTION
3 DRAWER CABINET

ASSEMBLED DIMENSIONS (H X W X D)

38-1/4" X 23-11/16" X 15-3/8"
97.6cm X 60.2cm X 39.1cm



FINISH: WHITE AQUASEAL
ONTARIO WHITE (DRAWER FRONT)
WEIGHT: 75 LBS (34.02 KG)