

Specifications:

Installation:	vanity-top
Exterior Dimensions:	60 1/2" w x 22" d x 6 1/4" h
Material:	Solid surface
Weight:	80 lbs
Overflow:	Yes
Finishes:	M - Matte white G - Gloss white
Faucet Holes:	00 - no hole 01 - one centered hole 02 - two hole - center and right, 4" spread 03 - three hole, 8" spread
Faucet Hole Size:	Ø 1 3/8"
Drain Hole Size:	Ø 1 3/4"
Cutout Size:	58" x 19" (template available upon request)



Features:

- Stain, scratch, chemical, impact resistant
- Optional backsplash available

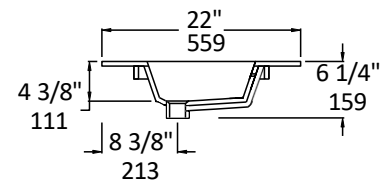
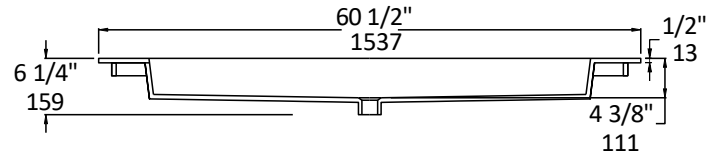
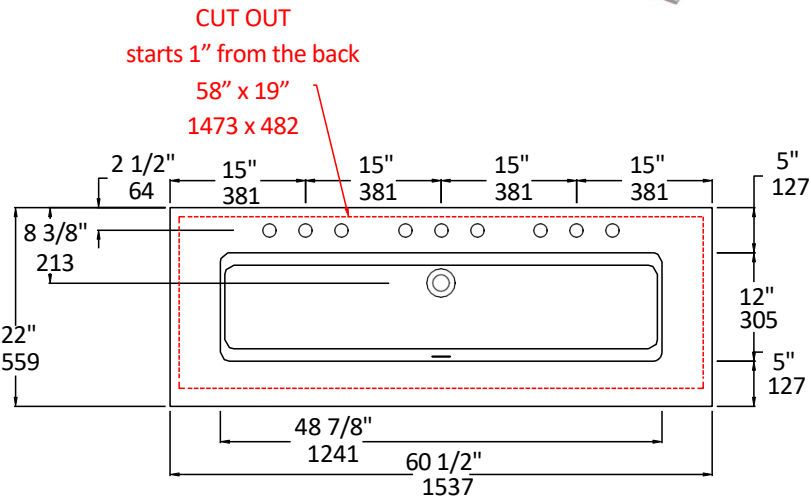
Codes + Standards:

- Meets and exceeds applicable national codes and standards

ADA compliant when installed to specific requirements of this regulation

Recommended Items:

- BKS - 6" Backsplash G - gloss, M - matte
- Furniture for K60B 22" deep sinktop
 - KBT-ADA-60 - Wall-mount vanity with 4 doors & center cubbies
 - KBT-ADA-60B - Wall-mount vanity with 4 doors & side cubbies
 - KUB-W-60B - Floor-standing or wall-mounted vanity with drawers
- Drain with overflow
 - 7100-17
 - 7100-16OF
 - 7100-13OF



Care + Maintenance:

- To prevent damage to the solid surface material, hot objects and open flame should not be placed in direct contact with the surface

[Click Here](#) to find out more about proper care and maintenance