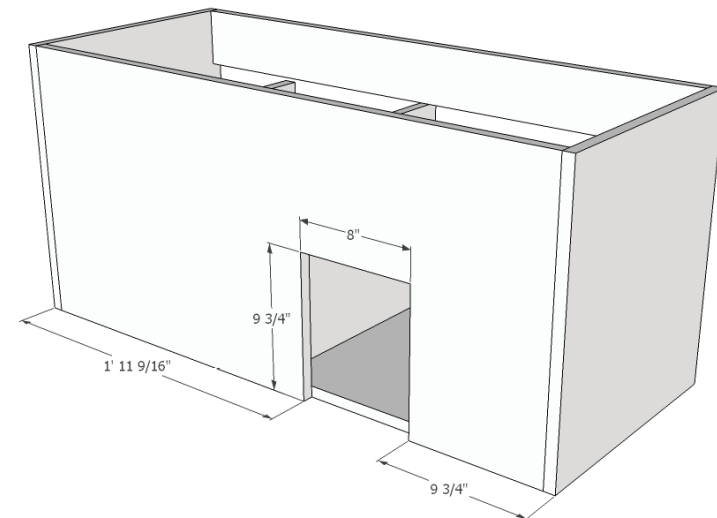


SINK DETAIL

Flow Rate: 10.15sec/gal



BACK DETAIL

DISCLAIMER

ALL INFORMATION CONTAINED IN THIS DOCUMENT IS CONFIDENTIAL AND SHALL NOT BE REPRODUCED OR DIVULGED, IN WHOLE OR IN PART. DIMENSIONS ON FINISHED VANITIES MAY VARY SLIGHTLY FROM THOSE SHOWN ON THESE SPECIFICATIONS DUE TO VARIABILITY IN CONSTRUCTION MATERIALS.

VANITY STYLE

WALL HUNG

DESCRIPTION

1 Door 2 Drawers

CABINET SIZE

42" WIDE x 18 15/16" HIGH x 17" DEEP

PAGE #

1 OF 1