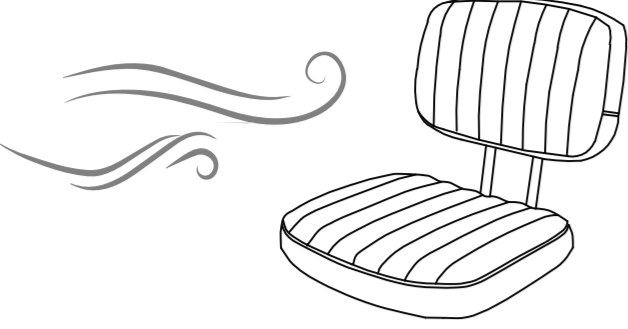
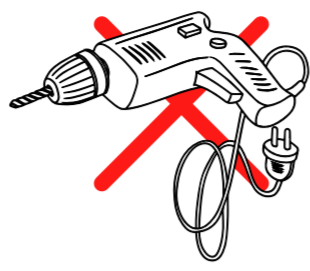


To deodorize the leather leave the chair in a shady outside for 1-2 days.



For longer use

Re-tighten bolts every 6 months by using the enclosed allen-key.
*Using an electric drill can damage the chair. Please re-tighten bolts manually.



Safety Information



Sit in the center of the chair, with your back to the backrest



Do not sit at the front edge of the chair



Do not stand on the chair



Do not use the chair with more than one person



Do not push the chair around when a person is sitting in it



Do not push down on the backrest when a person is reclined



Do not place all your weight on only the backrest

INSTRUCTION MANUAL

Model: C-2193

✉ HJ-Customer-Service@outlook.com

☎ (909)637-7665 | (909)637-7593

INSTRUCTION MANUAL

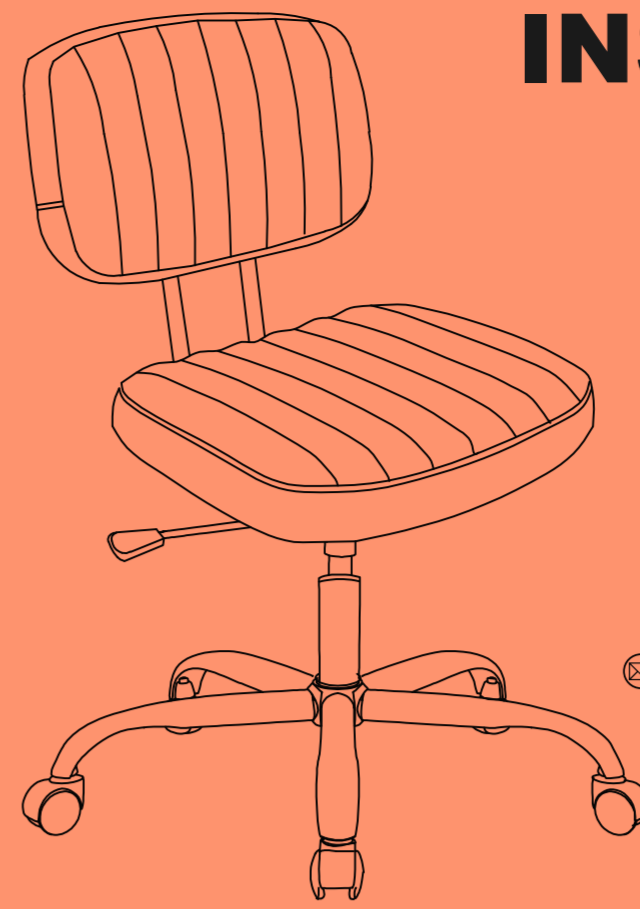
C-2193



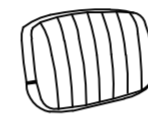
<https://hlinstallationvideos.s3.amazonaws.com/C-2193+Lounge+Chair.mp4>

✉ HJ-Customer-Service@outlook.com

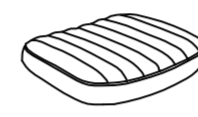
☎ (909)637-7665 | (909)637-7593



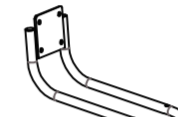
Package List



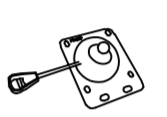
(A)*1 Backrest



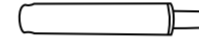
(B)*1 Seat



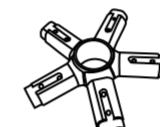
(C)*1 Back bar



(D)*1 Mechanism



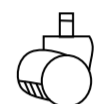
(E)*1 Gas Lift



(F)*1 Base



(G)*5 Legs



(H)*5 Casters



M6*20mm
(I)*4 Bolts



M6*25mm
(J)*4 Bolts



M6*14mm
(K)*10 Bolts

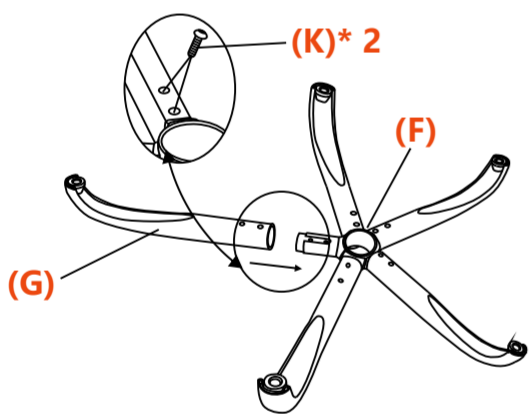


M6*35mm
(L)*2 Bolts

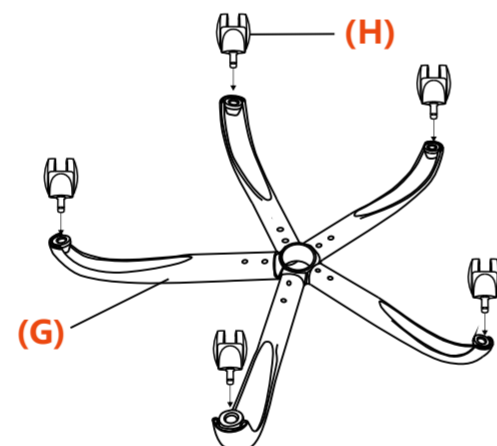


(M)*1 Wrench

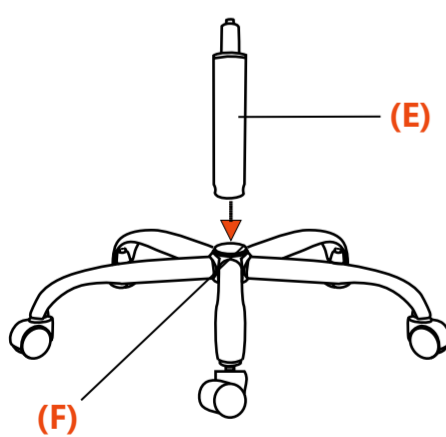
Assembly Instruction



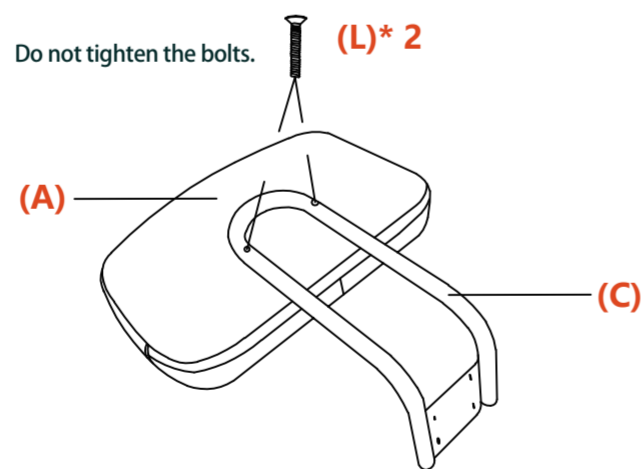
1 Turn the Base (F) upside down, insert the Legs (G)*5 into the Base one by one. Use Wrench (M), secure both with Bolts (K)*10.



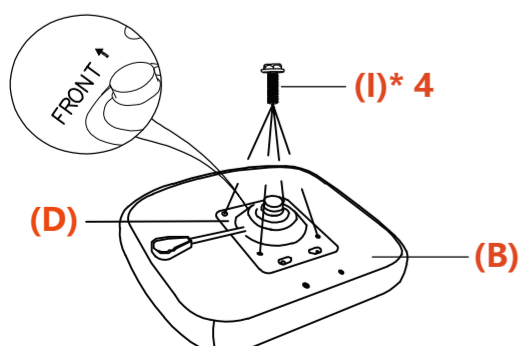
2 Press Casters (H)*5 into the holes at the end of Legs (G)*5.



3 Insert the Gas Lift (E) into the Base (F).

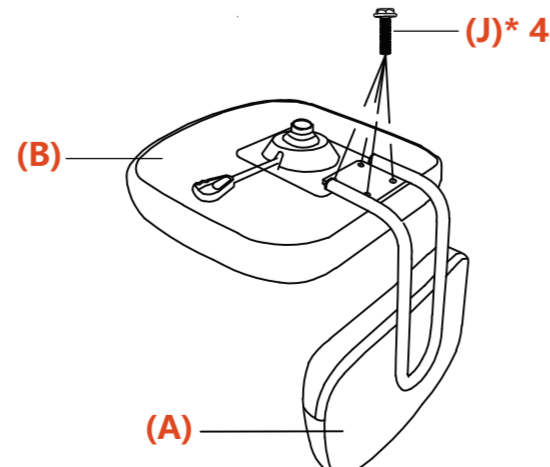


4 Using Wrench (M), install Back bar (C) to the Backrest (A) with Bolts (L)*2

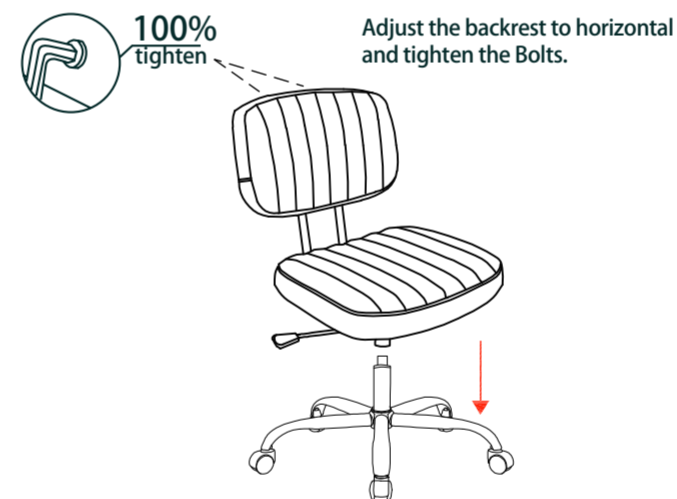


NOTE:
The Mechanism (D) is marked with "FRONT", please make sure the installation direction is correct.

5 Turn the Seat (B) upside down. Using Wrench (M), install Mechanism (D) to the Seat with Bolts (I)*4.



6 Using Wrench (M), attach Backrest with back bar to the Seat (B) with Bolts (J)*4.

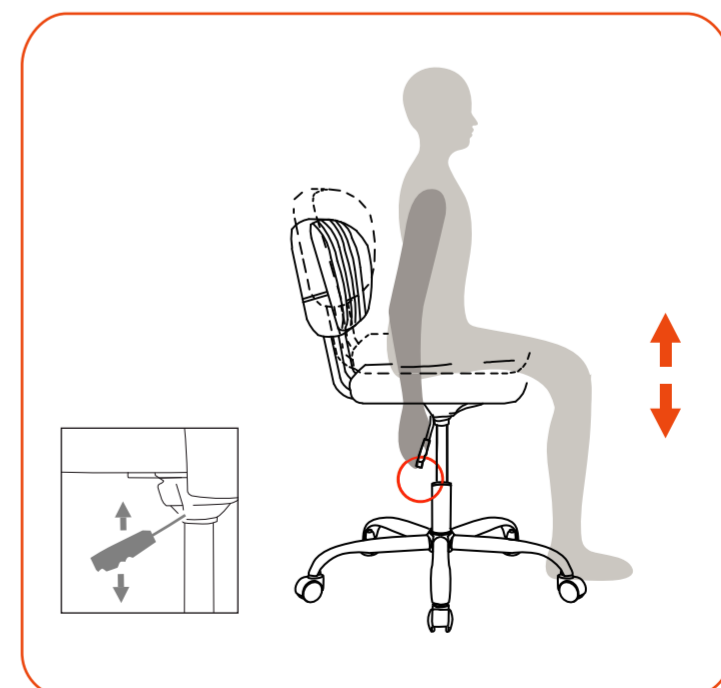


7 Align the hole on Mechanism (D) with Gas Lift (E), and press the Chair down until it is fully secured.



8 Finish the installation.

Instructions For Use



CAUTION:

* Before using the chair, check to ensure that all bolts are fully tightened.

* Lubricate all parts and tighten all bolts every 6 months or whenever needed.