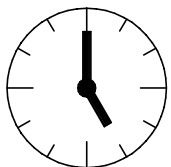
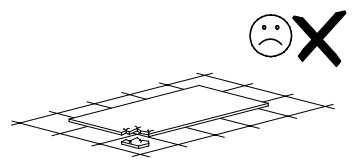
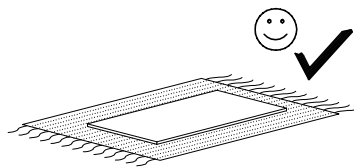
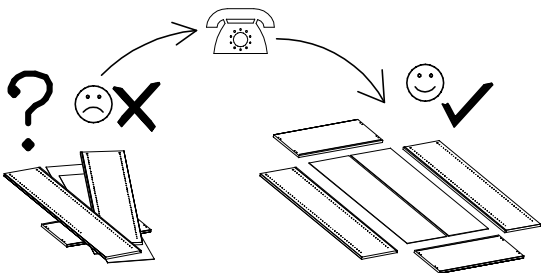
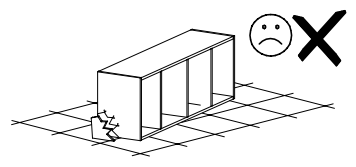
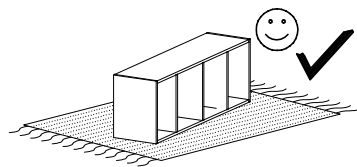
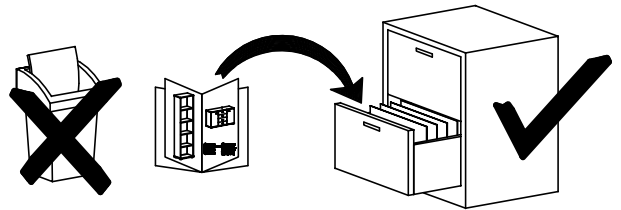
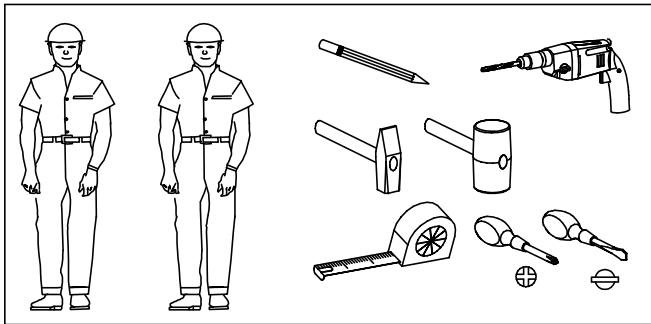
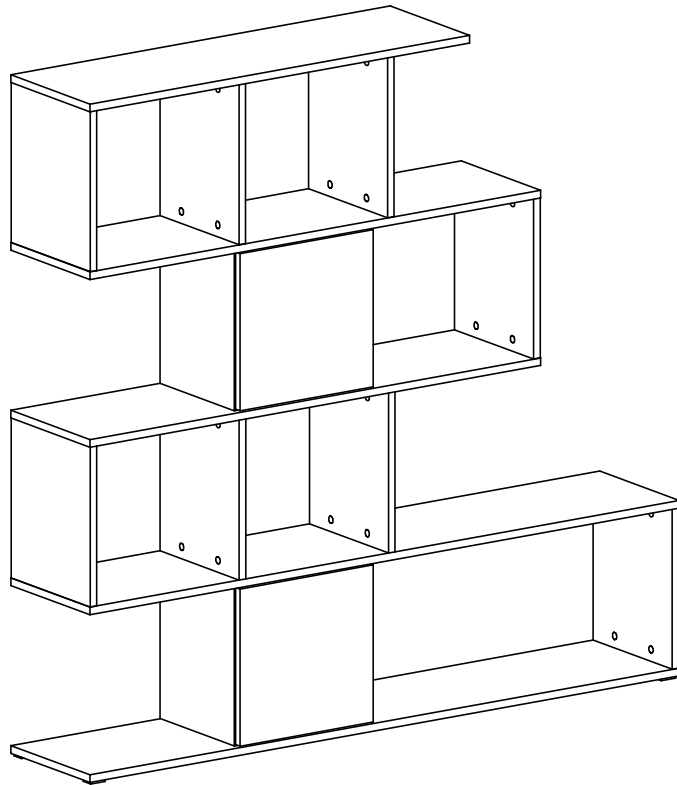
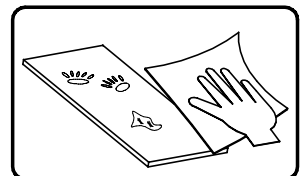
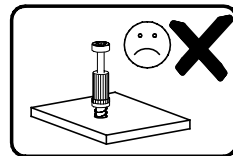
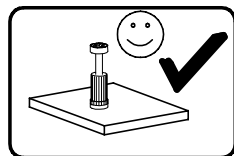


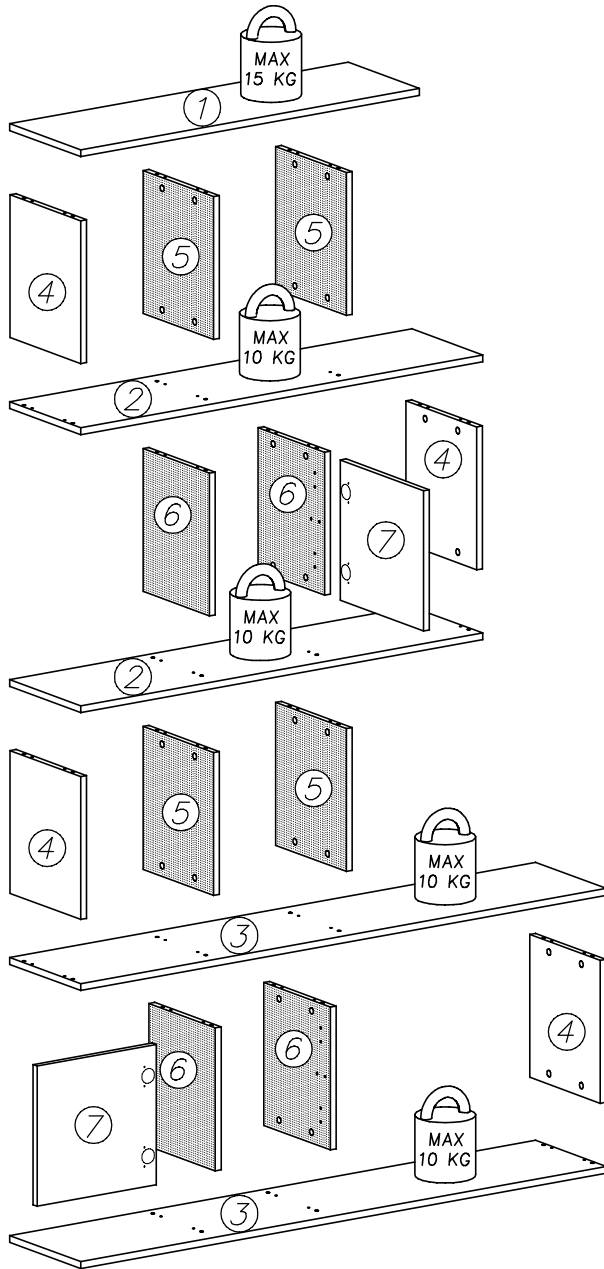
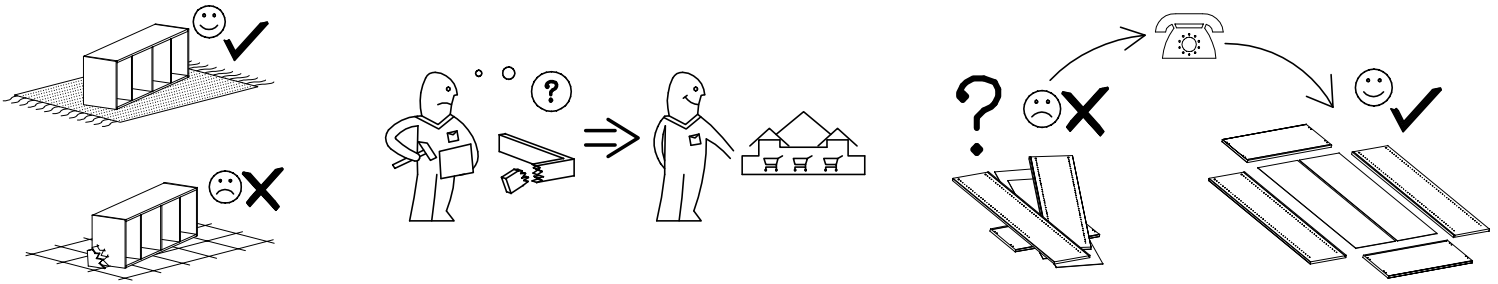
SCALAR



1,5h

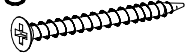



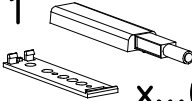
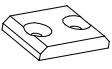
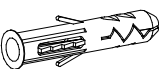
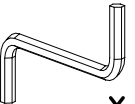
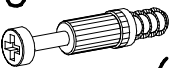
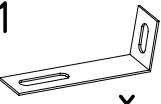

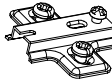
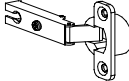



SCALAR



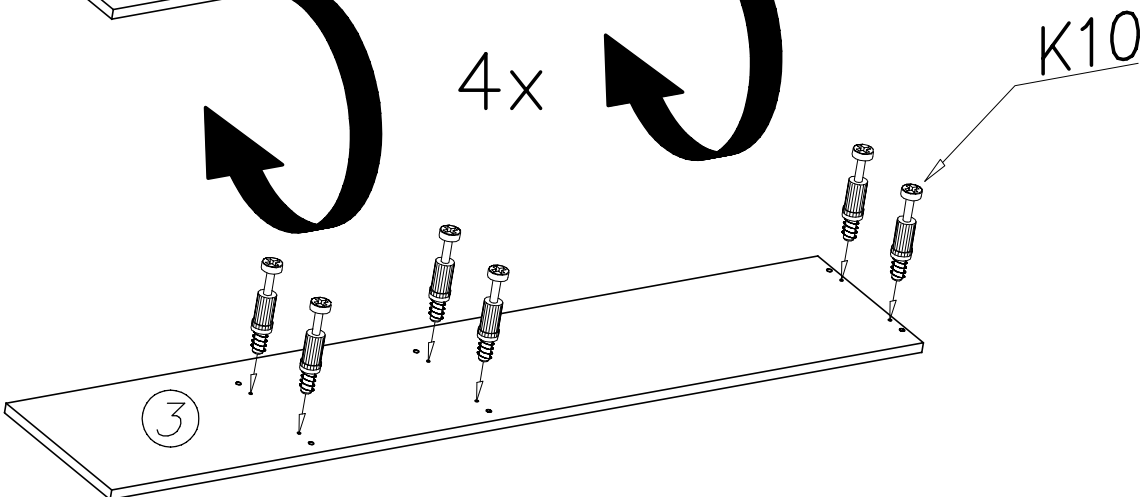
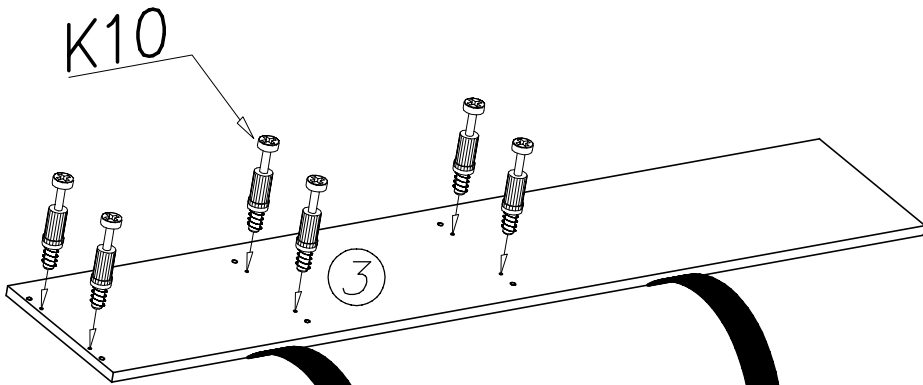
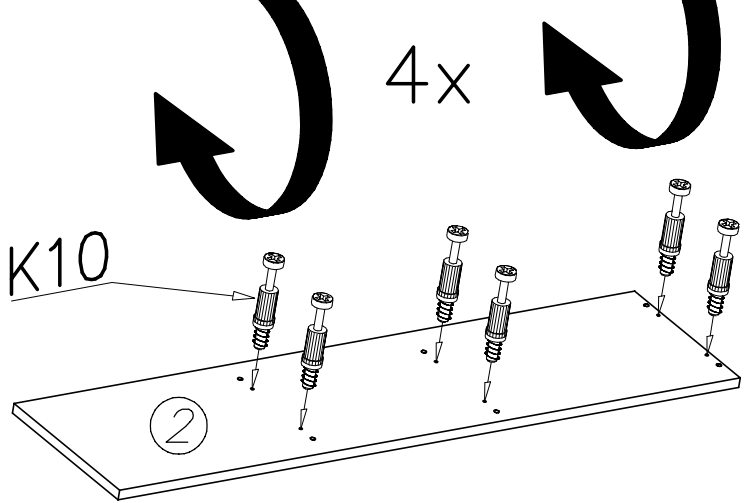
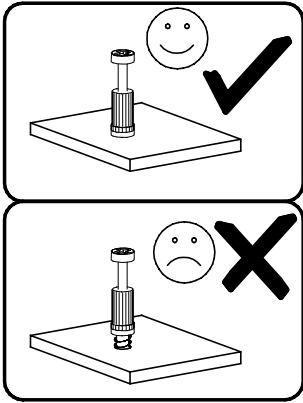
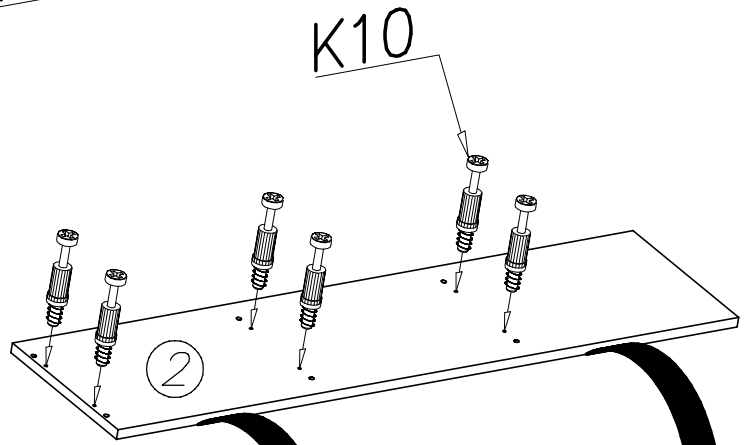
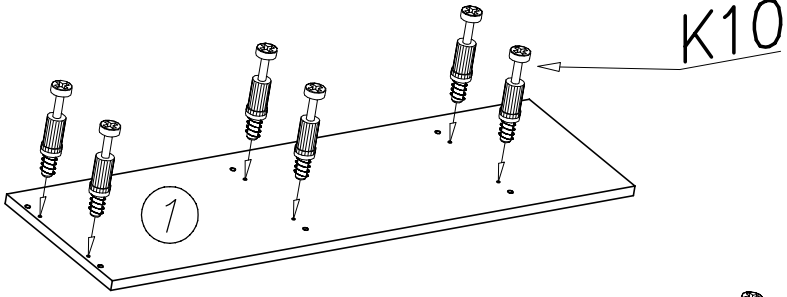
nr	L[mm]	B[mm]	T[mm]	Menge	Colli
1	934	278	16	1	1/1
2	1108	278	16	2	1/1
3	1450	278	16	2	1/1
4	334	276	16	4	1/1
5	334	276	16	4	1/1
6	334	256	16	4	1/1
7	328	328	16	2	1/1

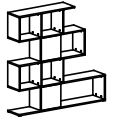


G28  4x60 x...(1)	B1  ø8x35 x...(48)
G34  3,5x16 x...(22)	G50  6x13 x...(4)
L11  x...(2)	P33  x...(6)
U6  ø8x40 x...(1)	W2  x...(1)
K10  x...(48)	M11  x...(1)
K1  ø15x12 x...(48)	D3  PZ35PR x...(4)
C3  Z35PR x...(4)	I7  x...(48)

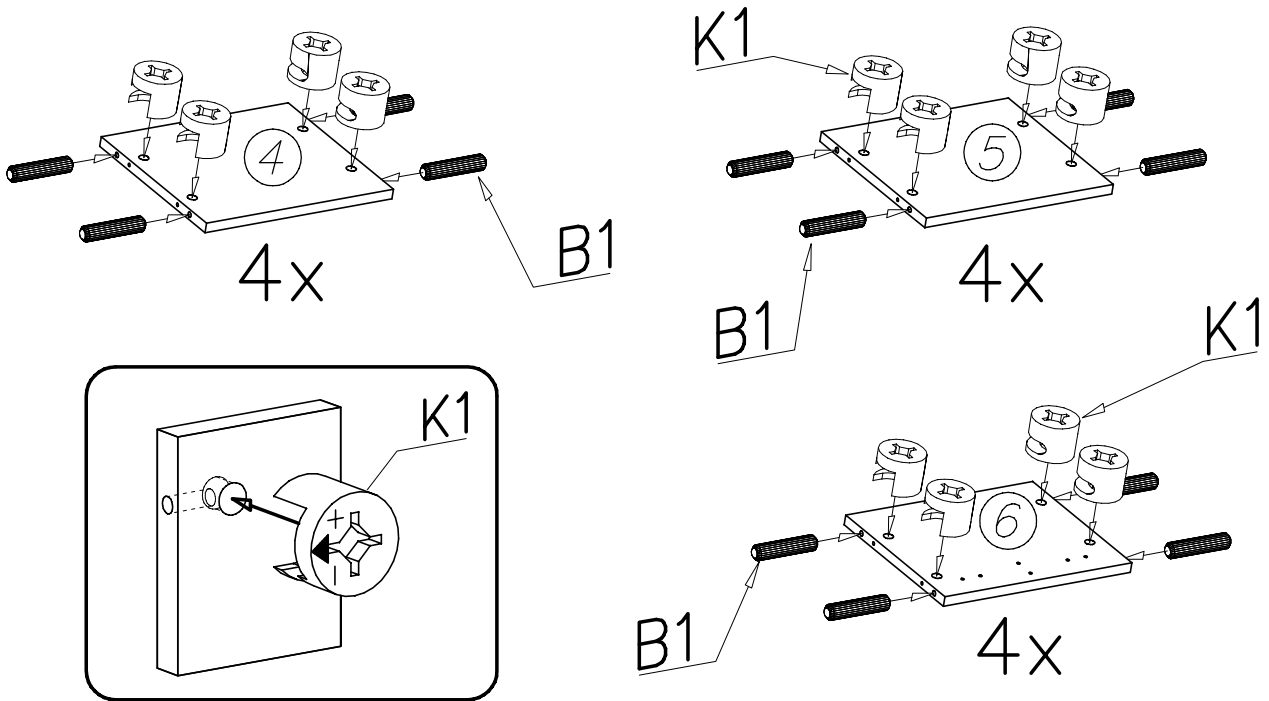


I

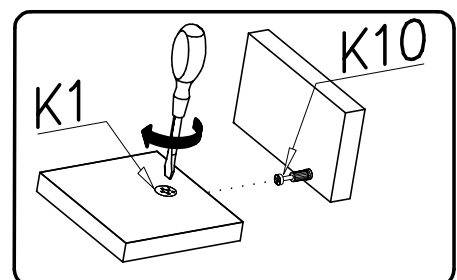
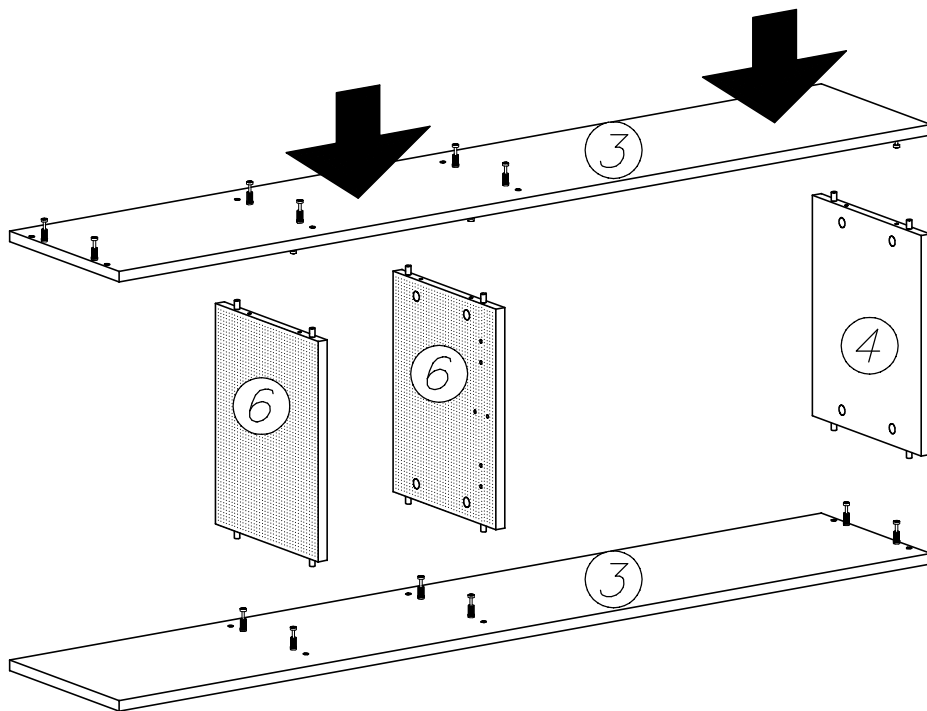


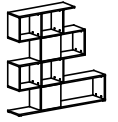


II

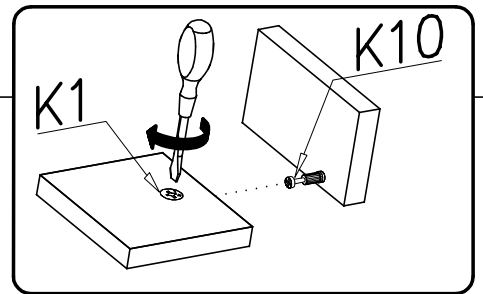
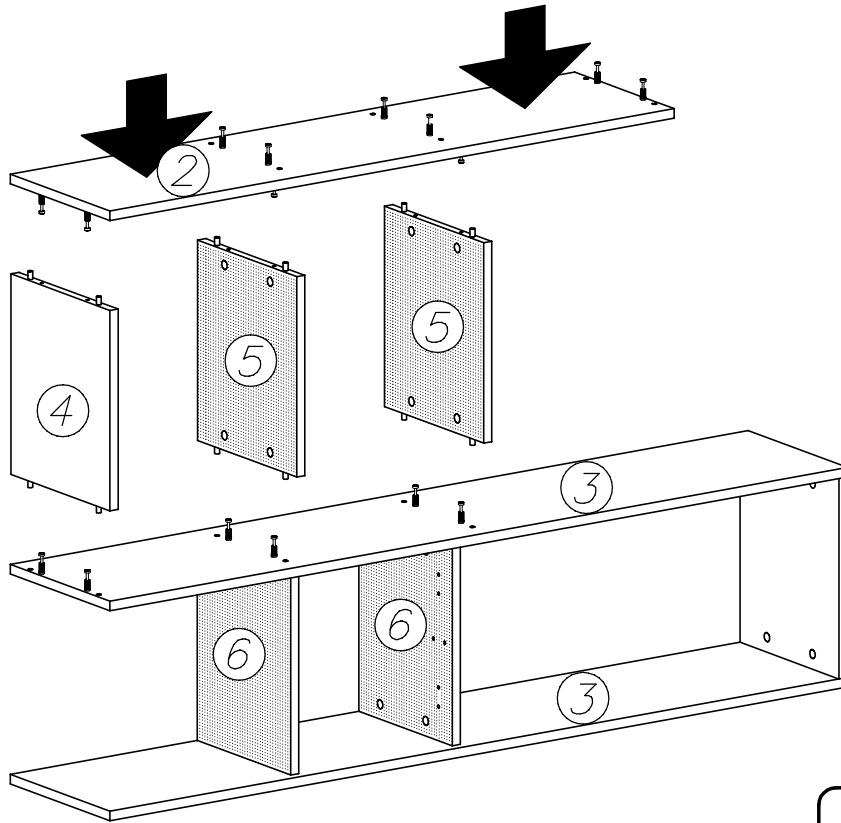


III

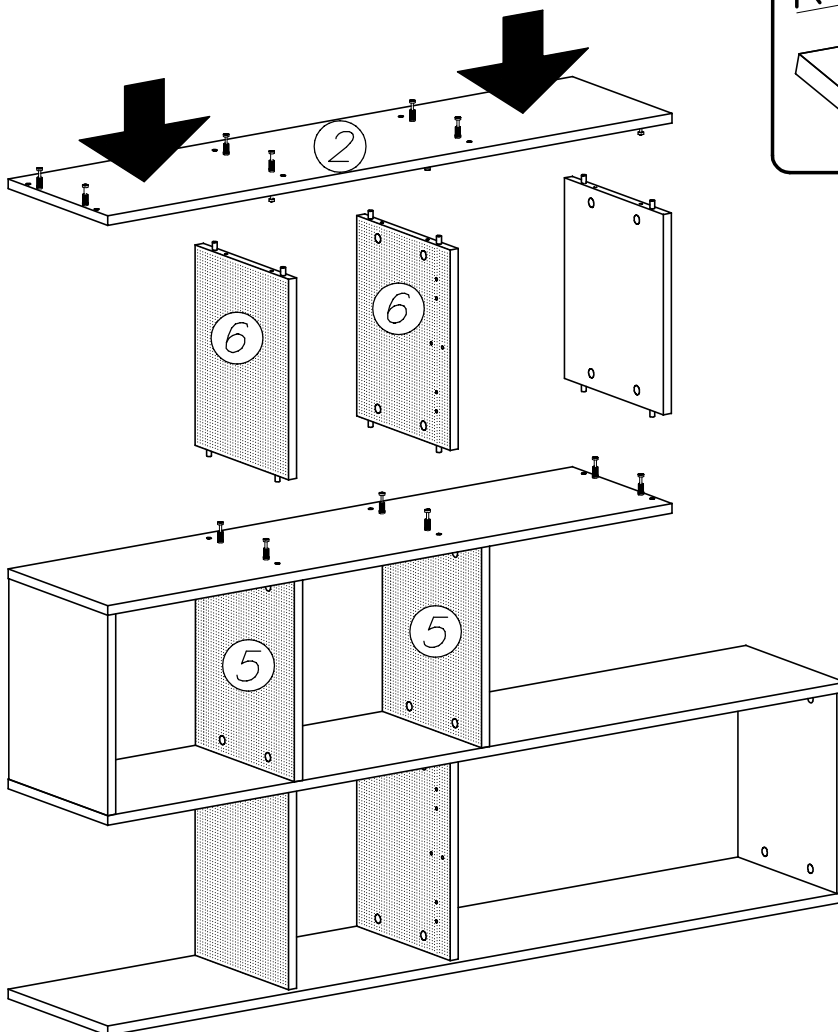


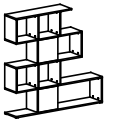


IV

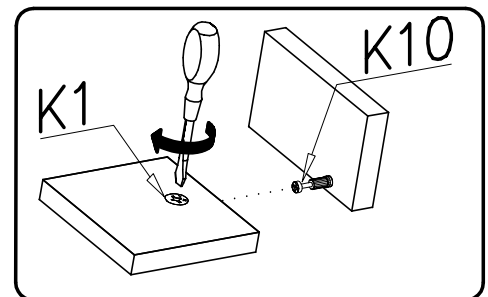
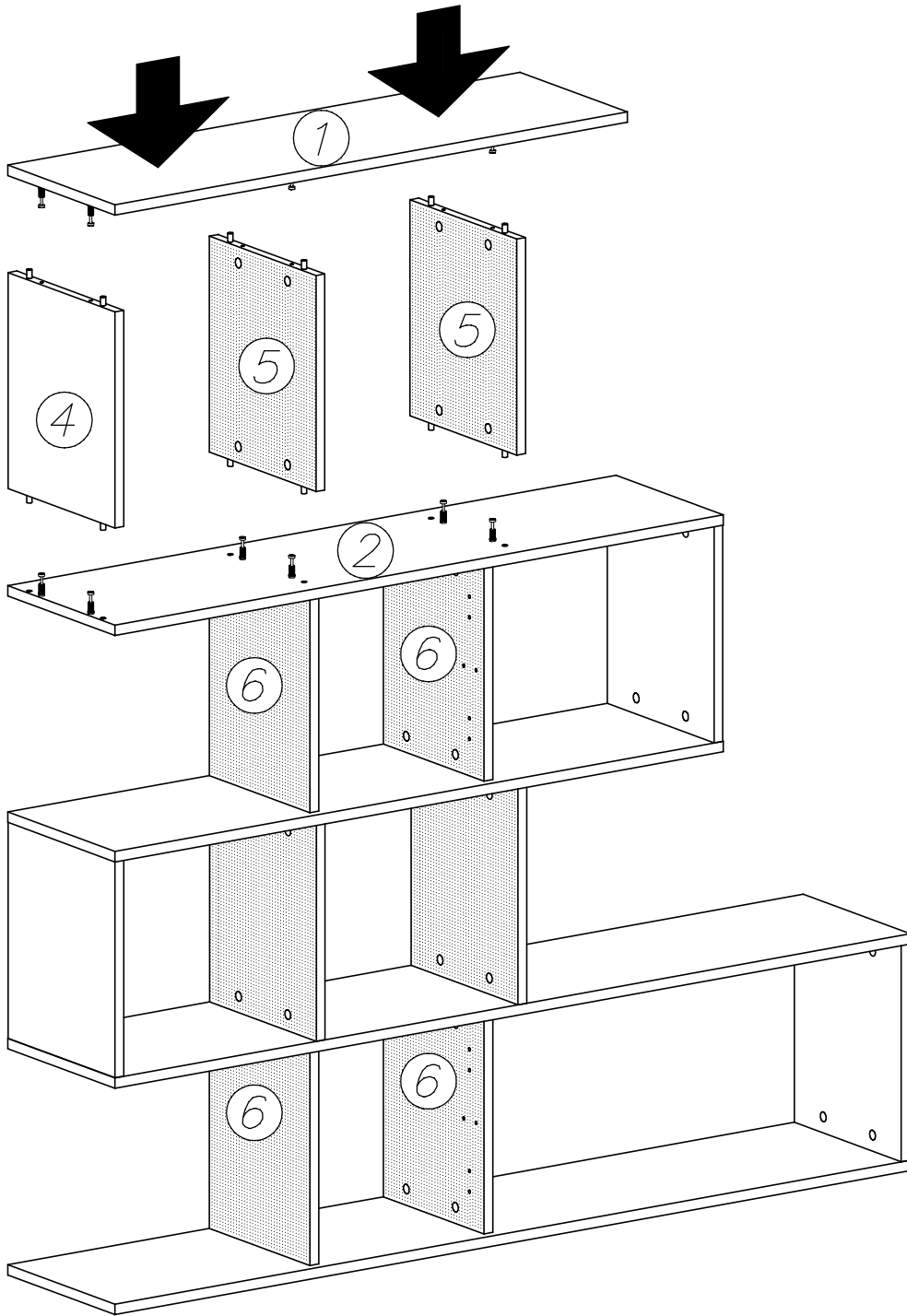


V



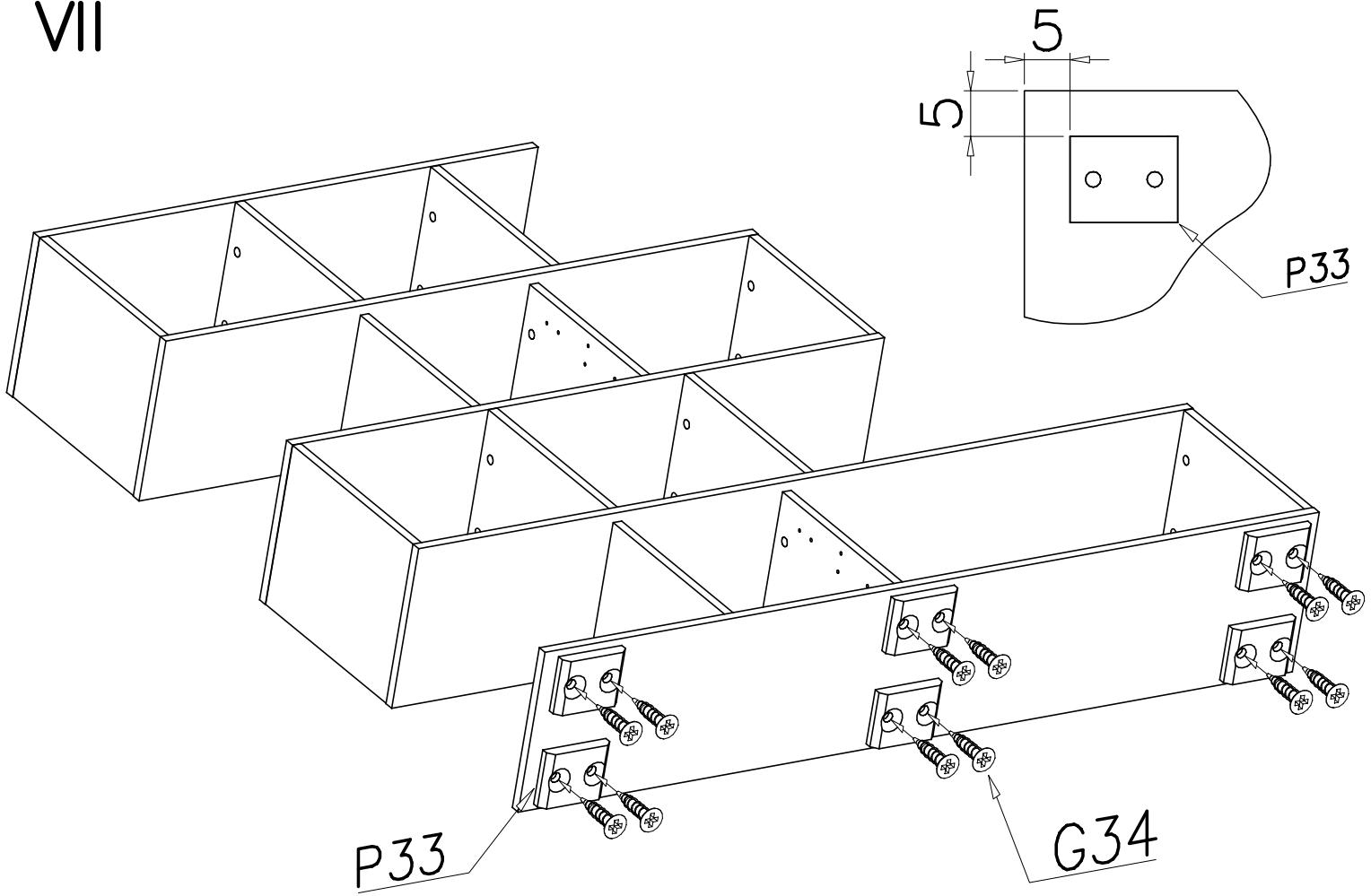


VI

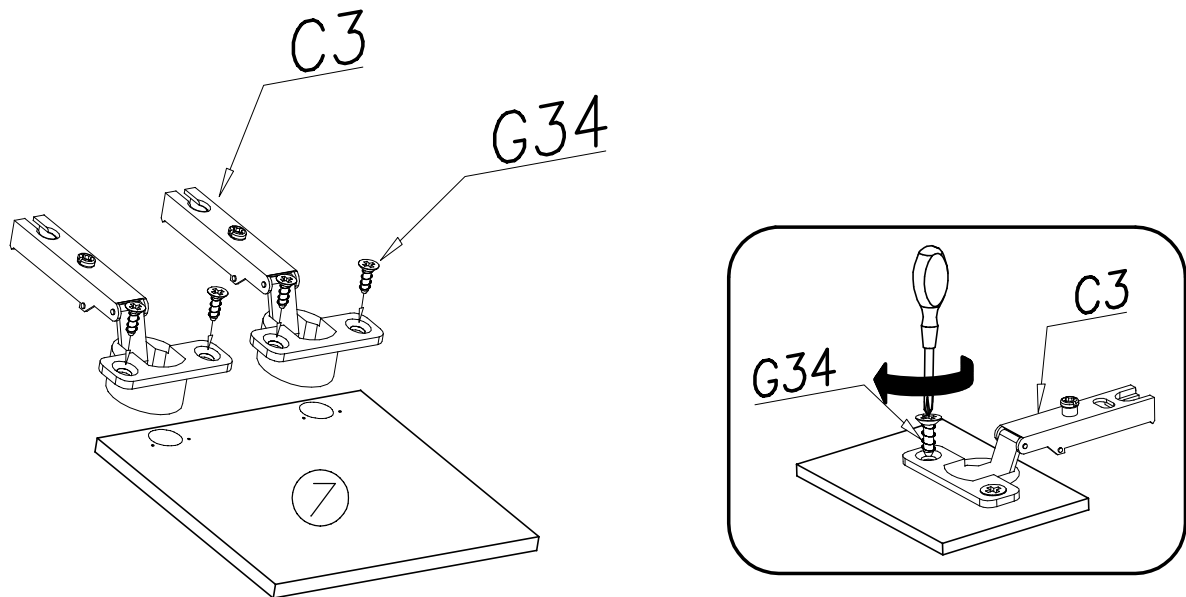


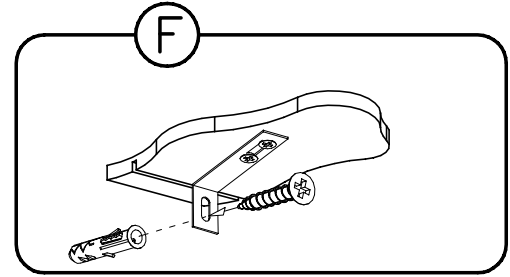
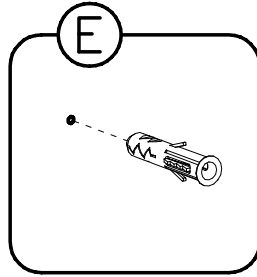
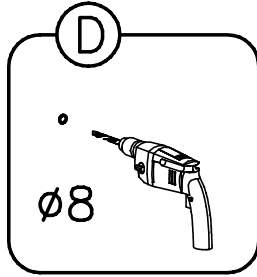
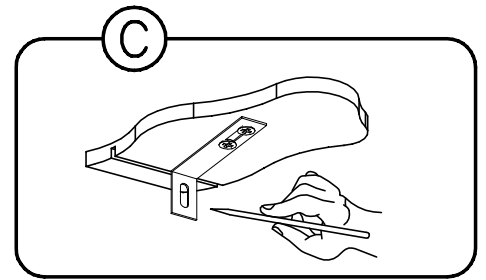
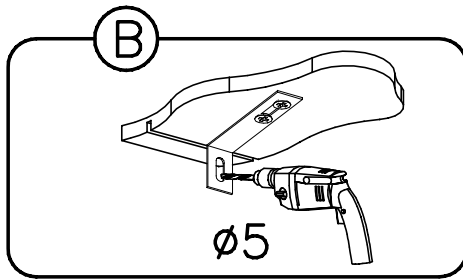
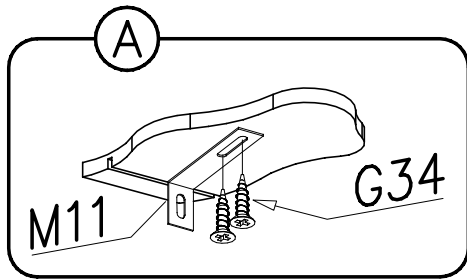


VII

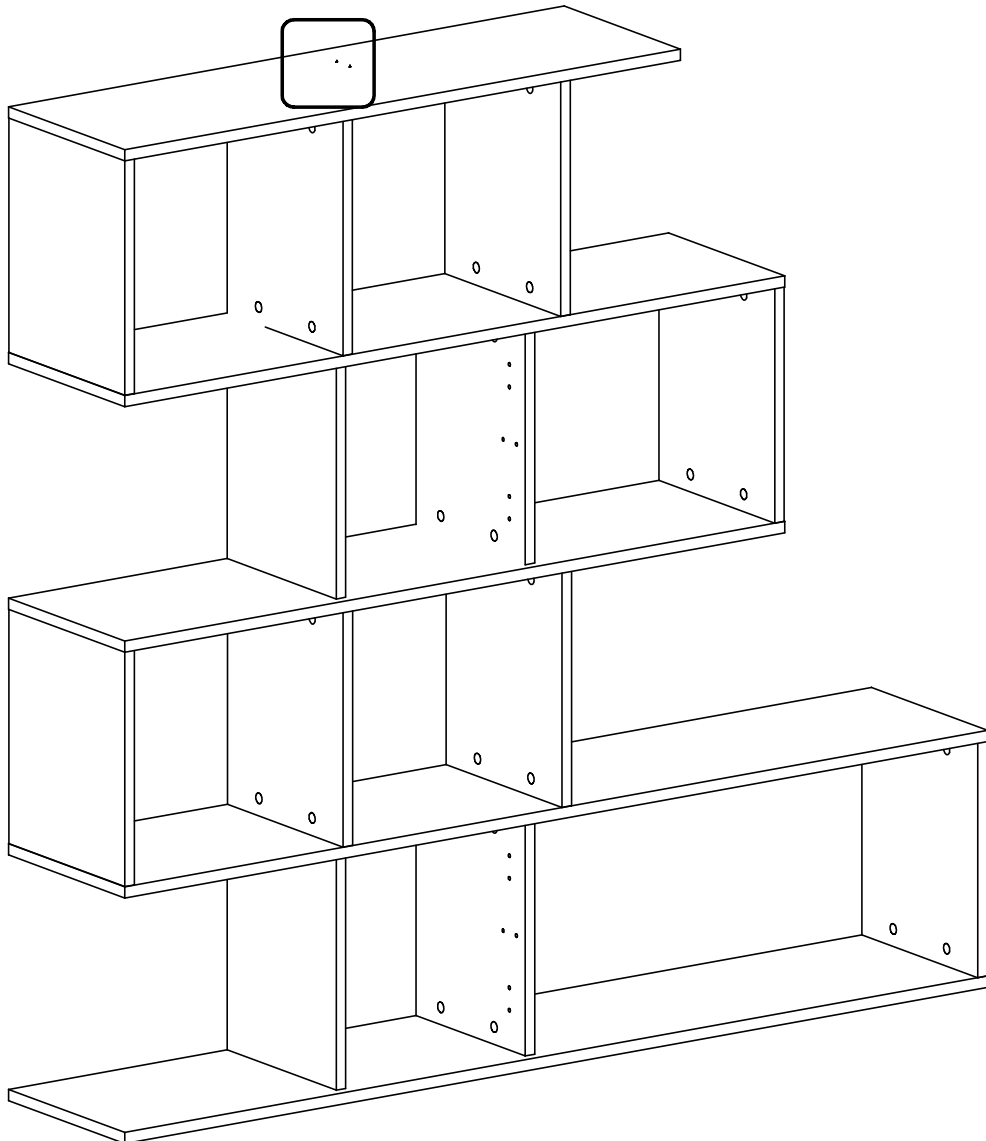


VIII



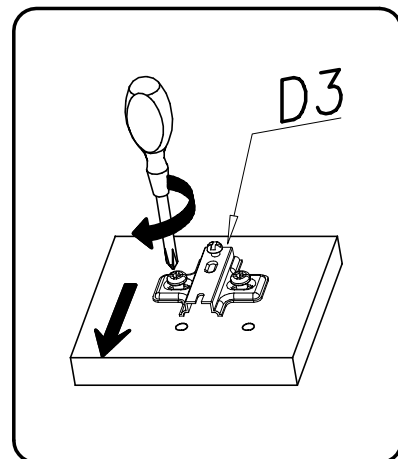
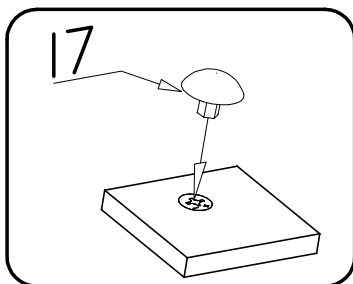
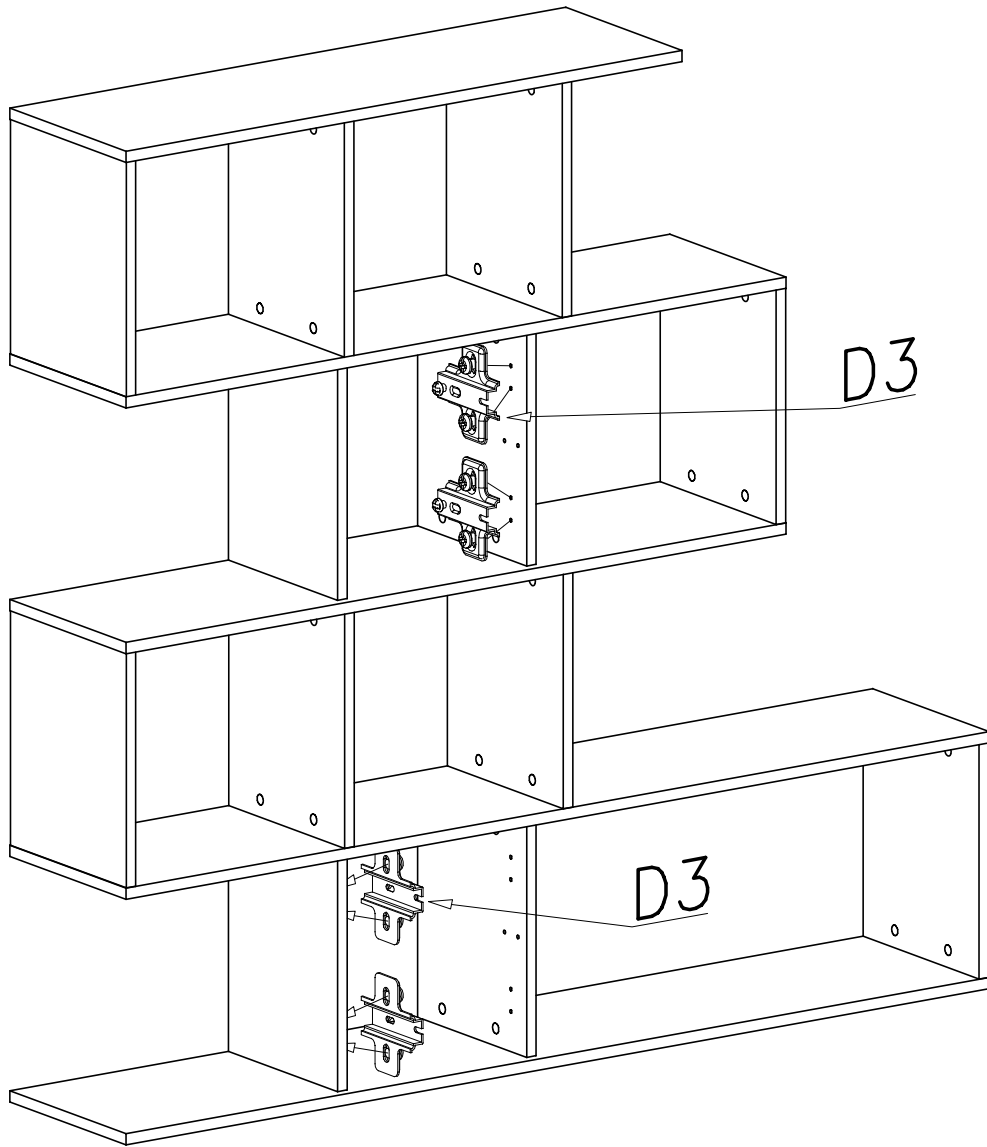


IX



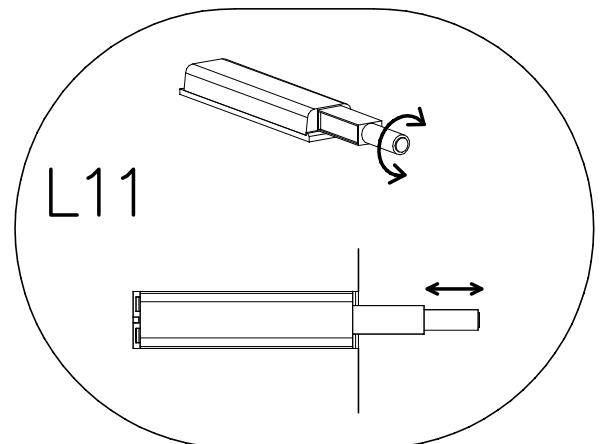
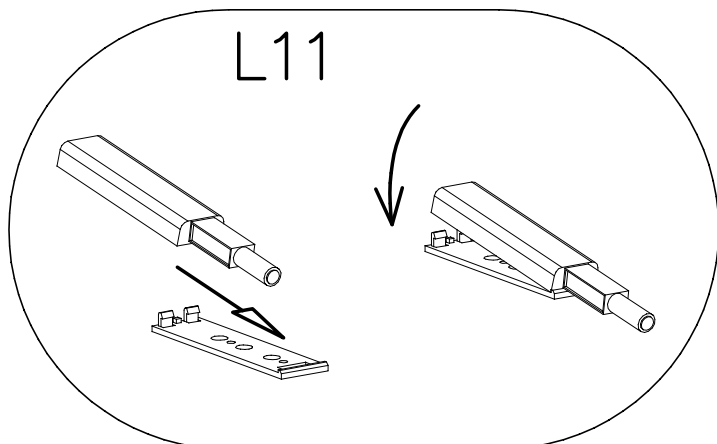
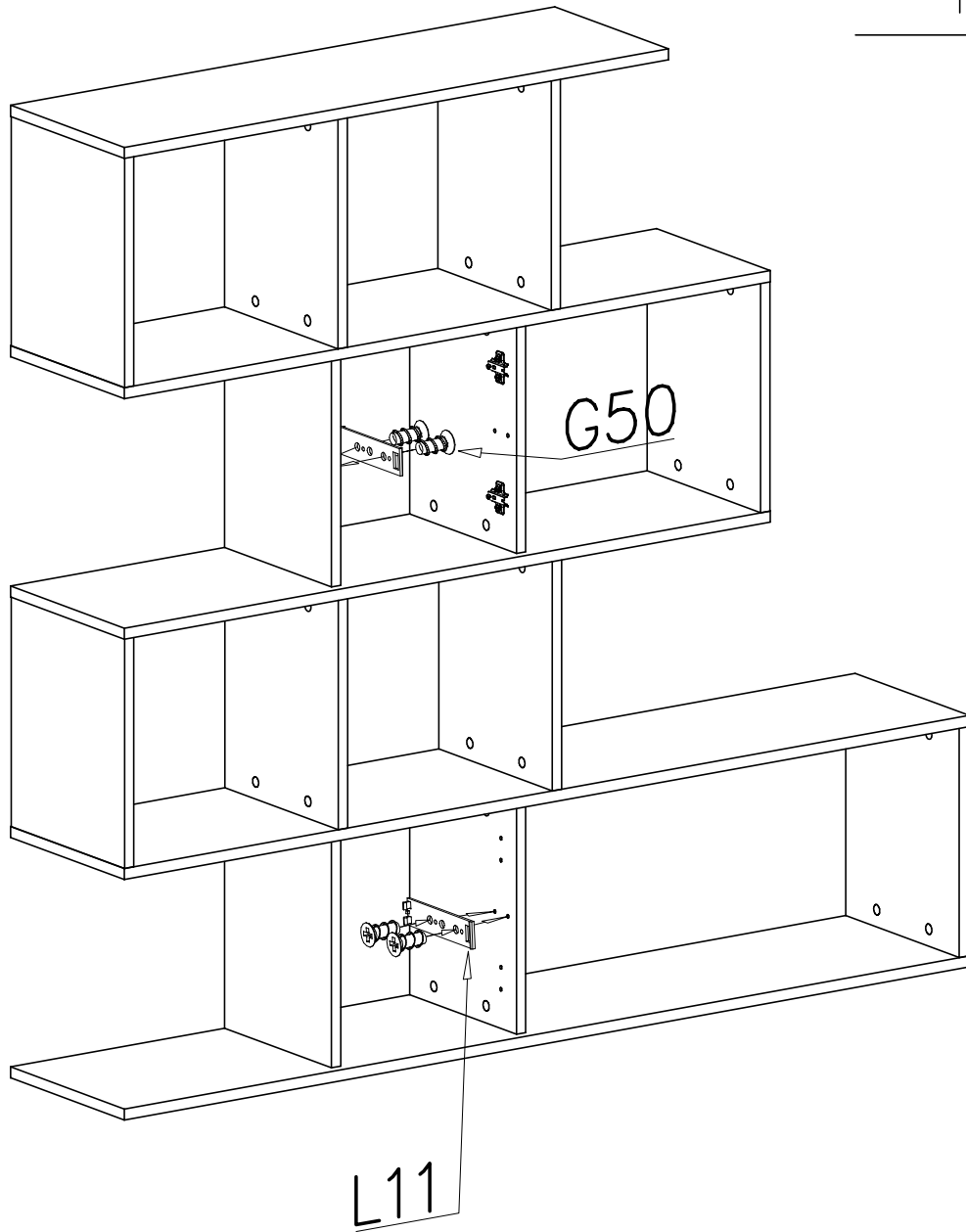


X





XI





XII

