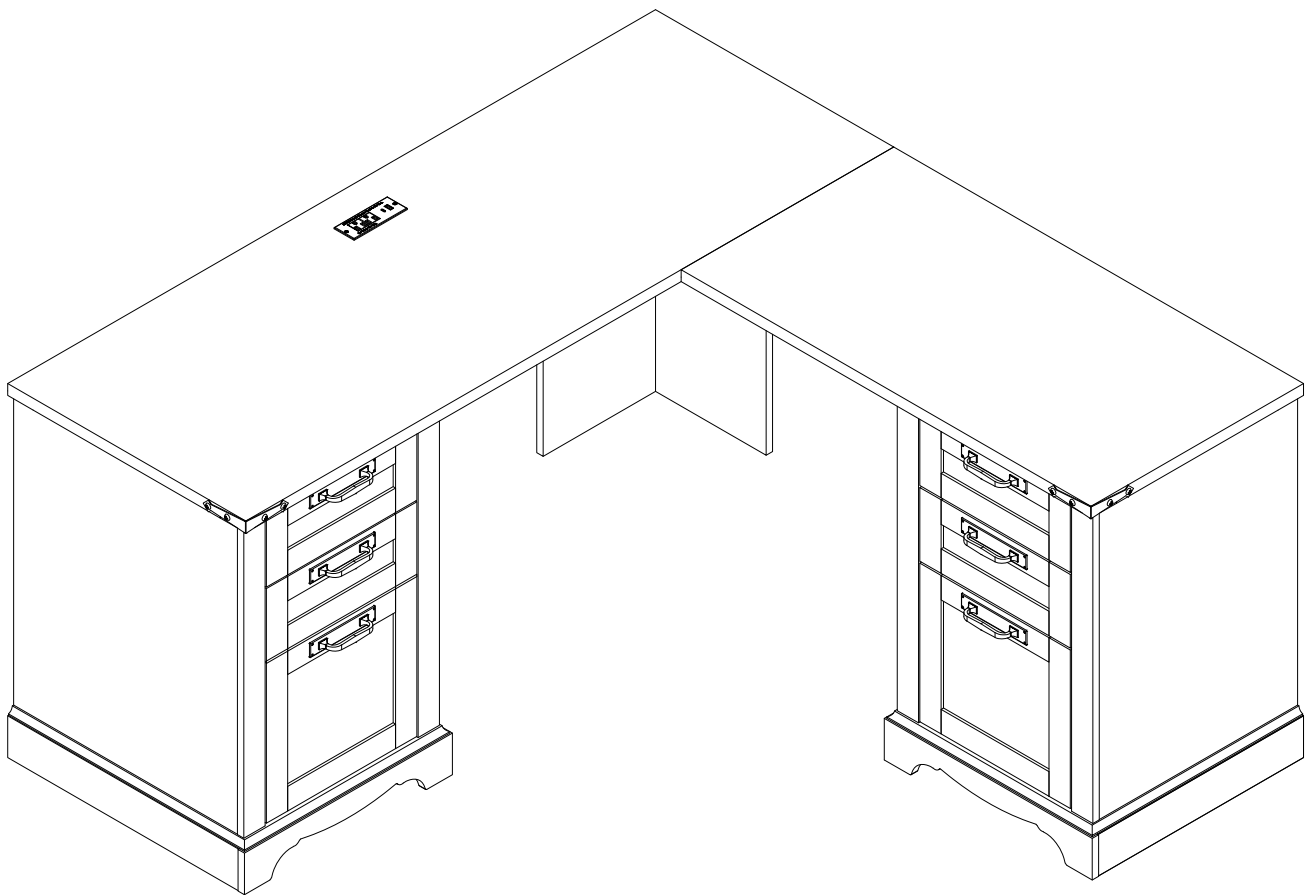
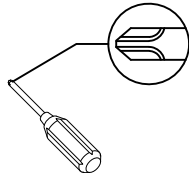


Assembly Instructions

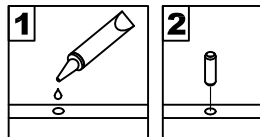


General Assembly Guidelines

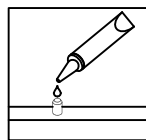
- I. Ensure that all parts and hardware are available before beginning assembly.
- II. Follow each step carefully to ensure the proper assembly of this product.
- III. Two people are recommended for ease in the assembly of this product.
- VI. A Phillips head screwdriver is required for the assembly of this product .



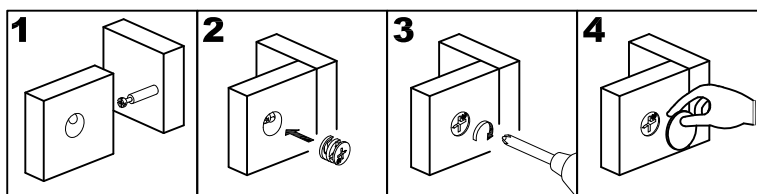
- V. The provided glue is to secure wood dowels in place . When first inserting dowels , locate the appropriate hole for the dowel , place a small amount of glue in the hole and insert the dowel . Wipe away excess glue immediately.



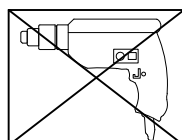
In future assembly steps when dowels are necessary to attach assembly parts together , place a small amount of glue on the end of the dowel before attaching parts together . Wipe away excess glue immediately.



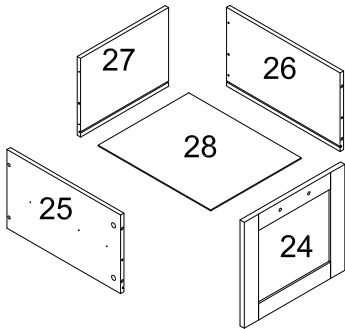
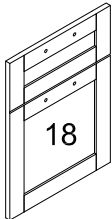
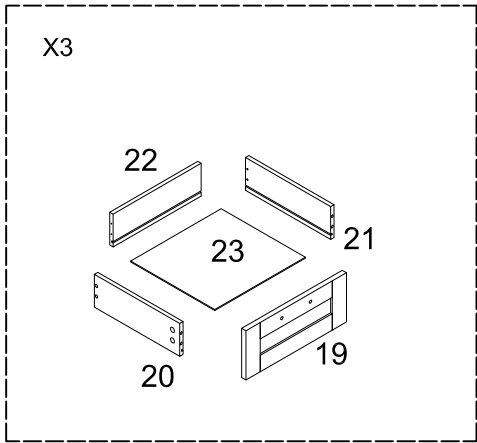
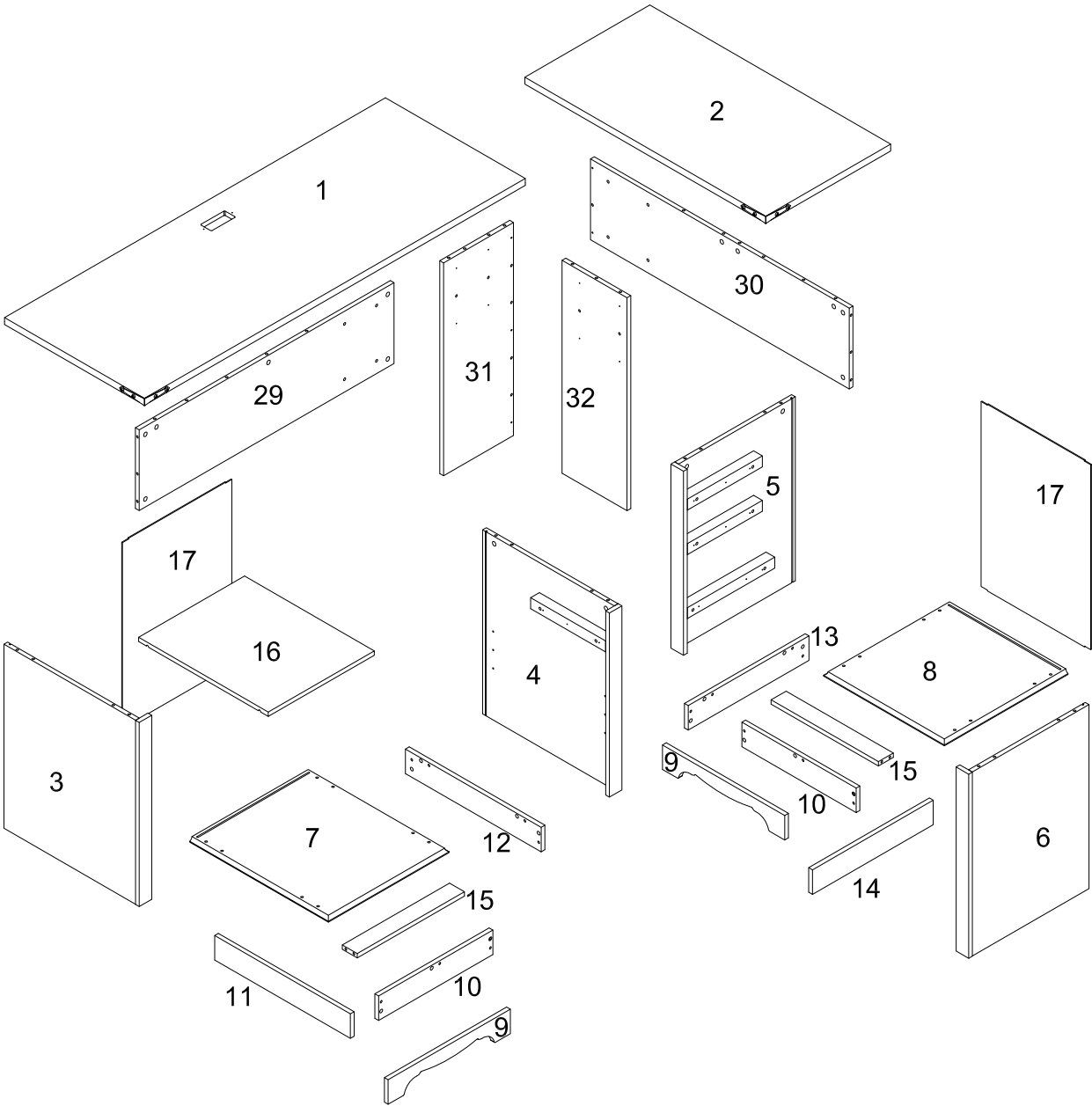
- VI. **HOW THE KNOCK DOWN (KD) ASSEMBLY SYSTEM WORKS**
 - 1.Screw the Cam Bolt into the pre-drilled hole on the panel. Make sure Cam Bolt goes into the pre-drilled hole on the end of panel for Cam Lock.
 - 2.Insert the Cam Lock into the pre-drilled large hole on the panel. Make sure the arrow on the face of Cam Lock points towards Cam Bolt.
 - 3.Take a Phillips screwdriver and rotate the Cam Lock clockwise to lock the Cam Bolt.
 - 4.Use the sticker to conceal the Cam.




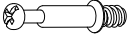



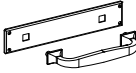

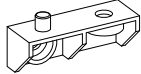





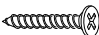


- VII. Power tools should not be used to assemble this product .

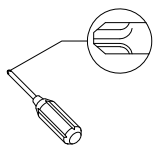


Parts List





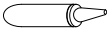
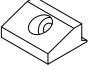
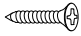


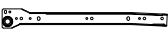



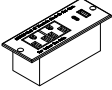
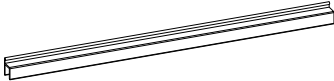
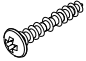

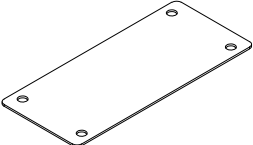
Hardware List

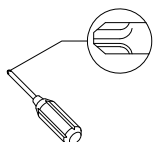
A		Ø8x30mm	Dowel	36 pcs
B		Ø6x35mm	Cam Bolt	46 pcs
C		Ø15x12mm	Cam Lock	30 pcs
D		Ø15x10mm	Cam Lock (Small)	16 pcs
E		Ø30mm	Cam Cover	46 pcs
F			Handle	6 pcs
G		Ø4x12mm	Handle bolt	12 pcs
H			Connector	20 pcs
I		1/4x12mm	Bolt	40 pcs
J		Ø8x5x16mm	Shelf support pin	4 pcs
K		Ø6x50mm	Screw	8 pcs
L		Ø3x12mm	Screw	38 pcs
M		Ø3x12mm	Screw	12 pcs
N		Ø4x32mm	Screw	16 pcs
O		Ø35	Europe Hinge	2 pcs
P		Ø3.5x14mm	Screw	12 pcs



Philips head screwdriver required for assembly
(not included)

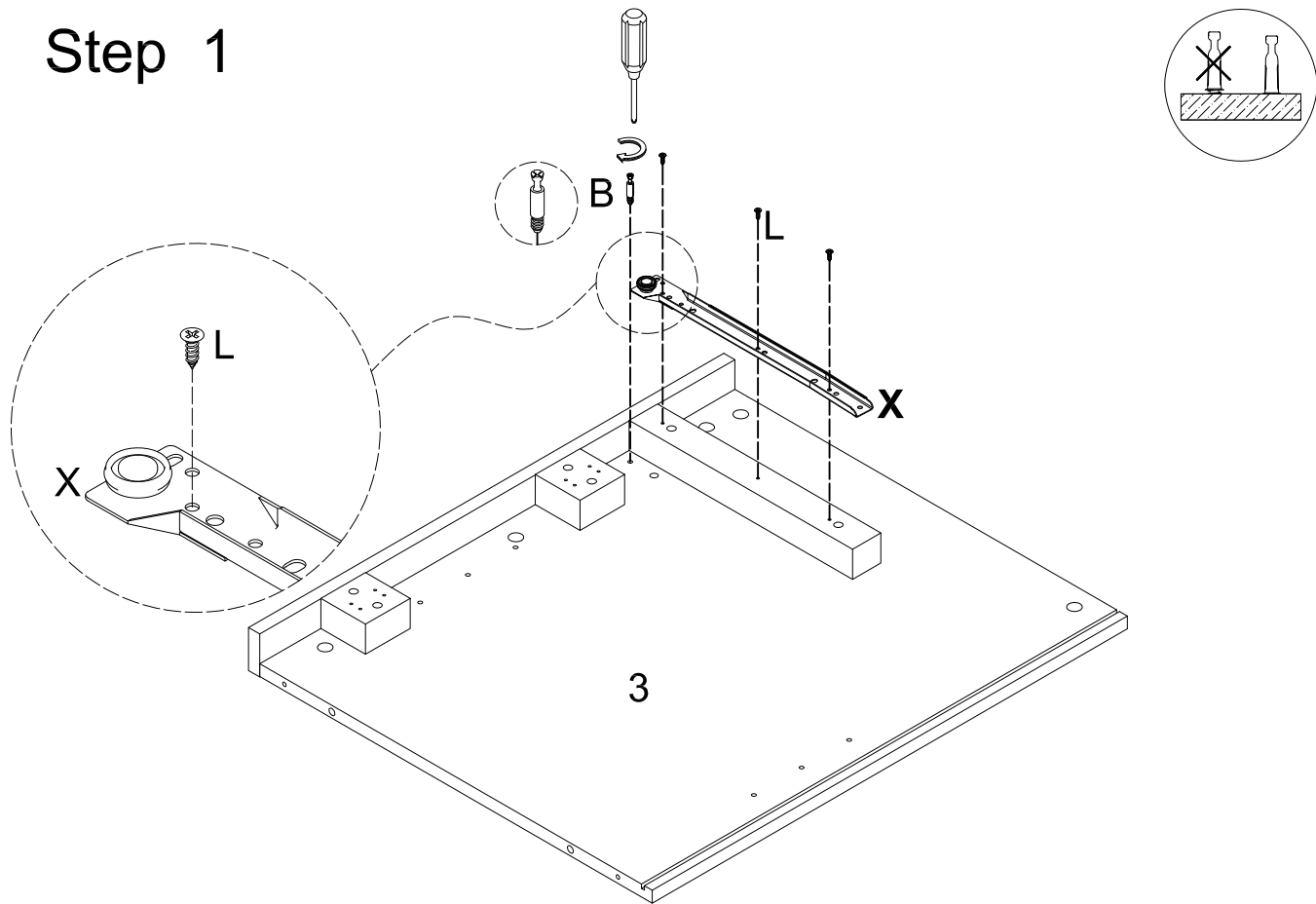
Hardware List

Q		Ø8x20mm	Dowel	4 pcs
R		Ø6x30mm	Dowel (small)	4 pcs
S			Glue Tube	1 pc
T			Plastic Wedge	20 pcs
U		Ø3x17mm	Flat-head Screw	20 pcs
V		M4	Allen Wrench	1 pc
W		14"	Drawer Slider	1 set
X		12"	Left Glide Track	3 pcs
Y		12"	Right Glide Track	3 pcs
Z		12"	Left drawer runner	3 pcs
AA		12"	Right drawer runner	3 pcs
BB			Power Cord W/USB	1 pc
CC			File rail	2 pcs
DD		Ø4x28mm	Screw	8 pcs
EE		Ø5x15mm	Screw	8 pcs
FF			Metal plate	2 pcs

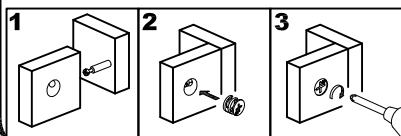
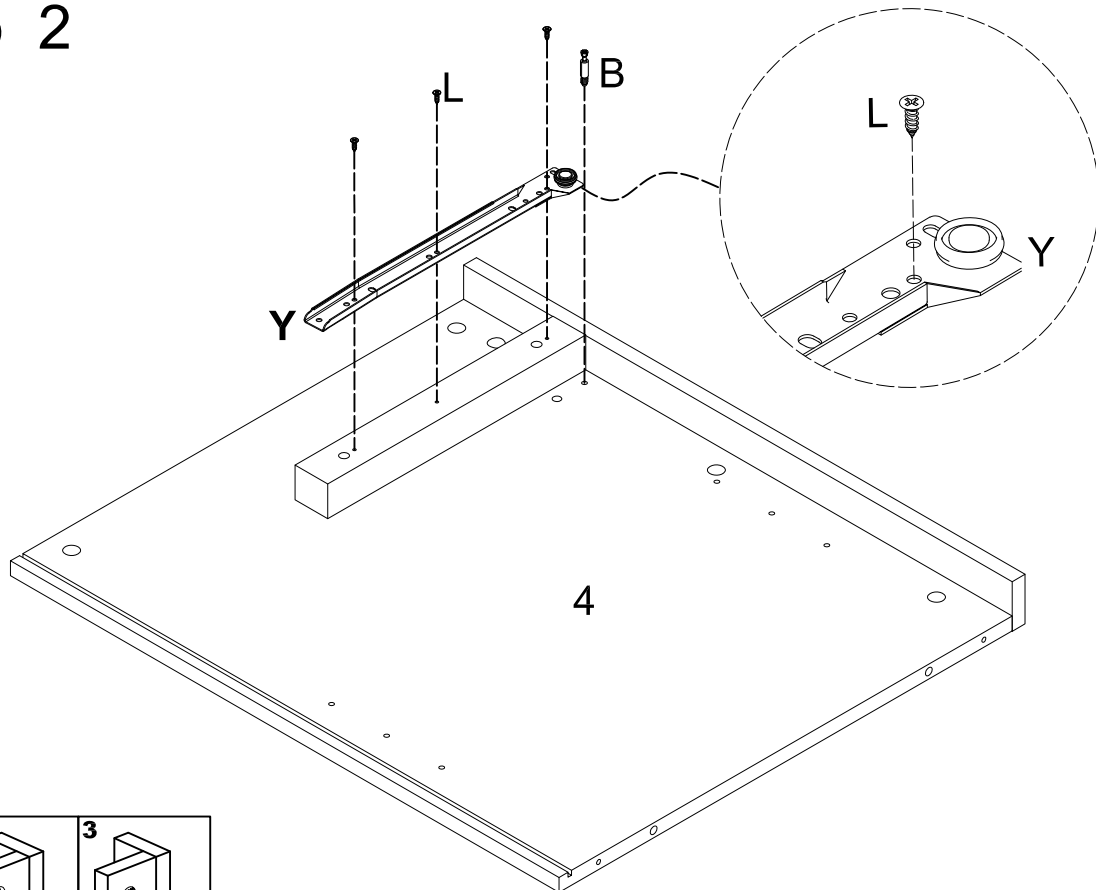


Philips head screwdriver required for assembly
(not included)

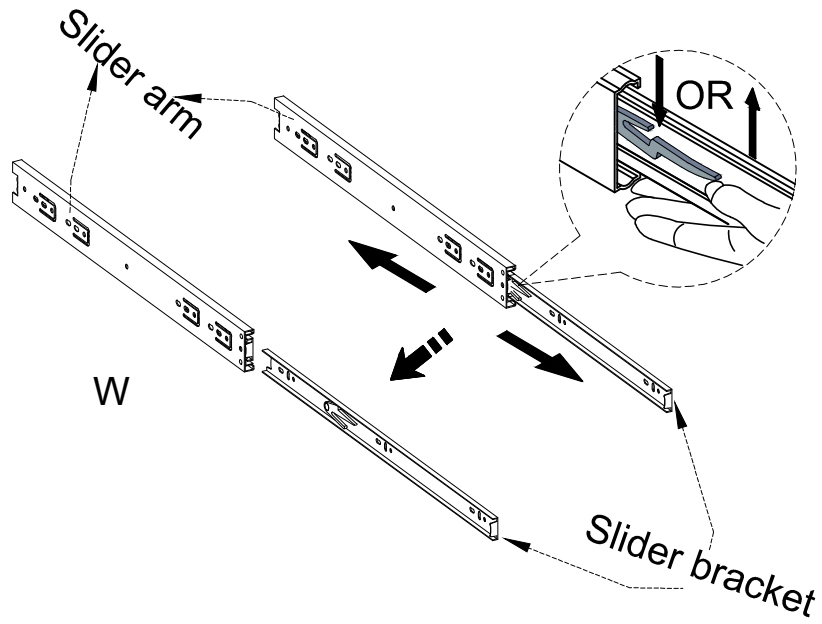
Step 1



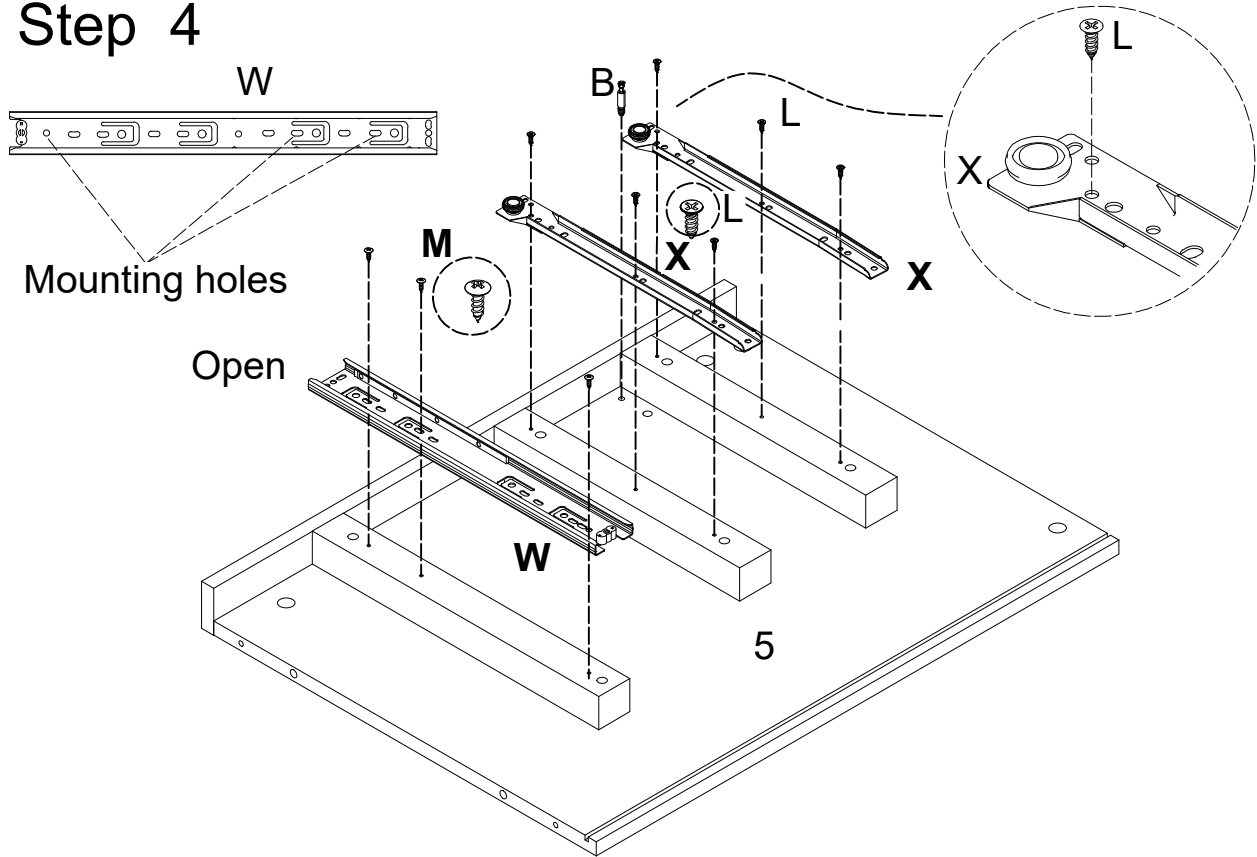
Step 2



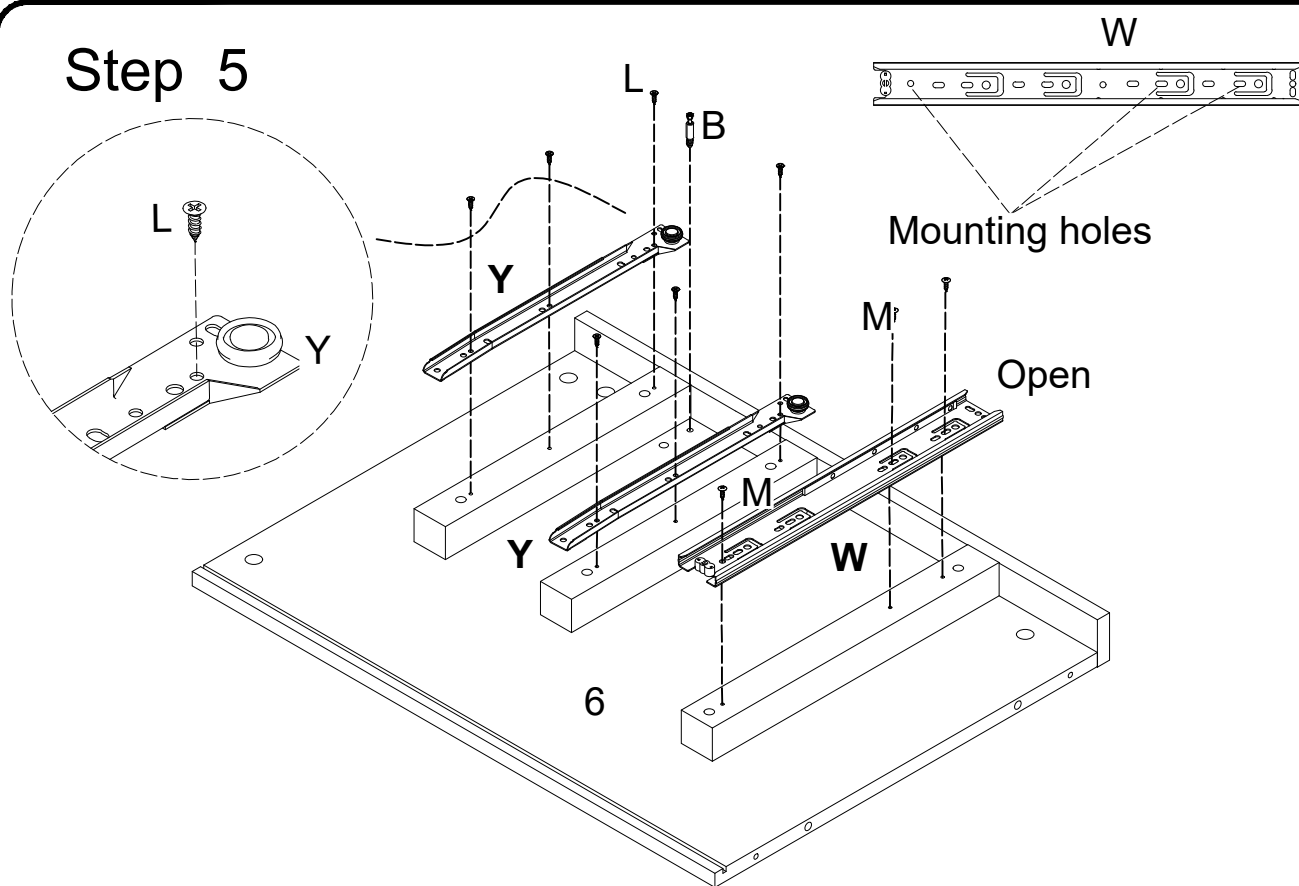
Step 3



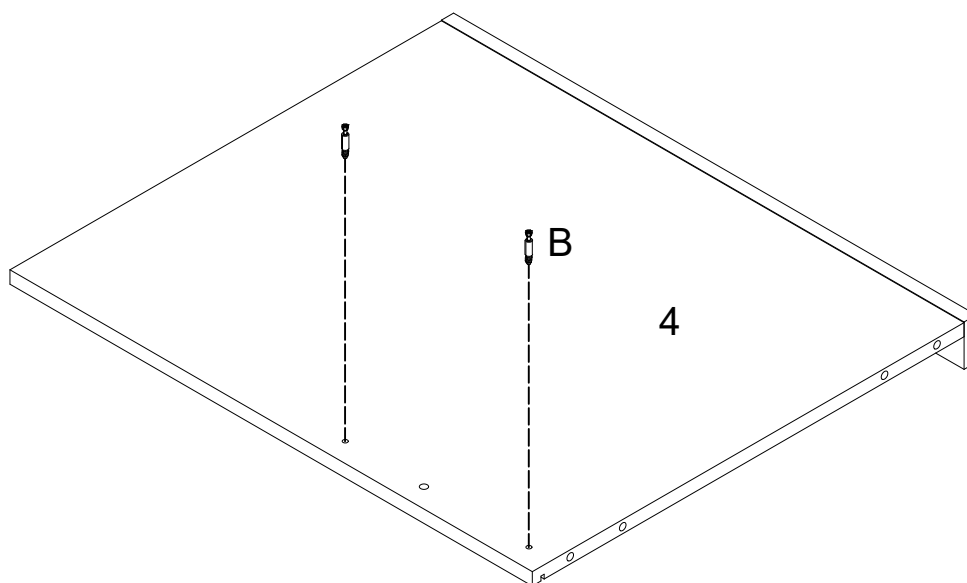
Step 4



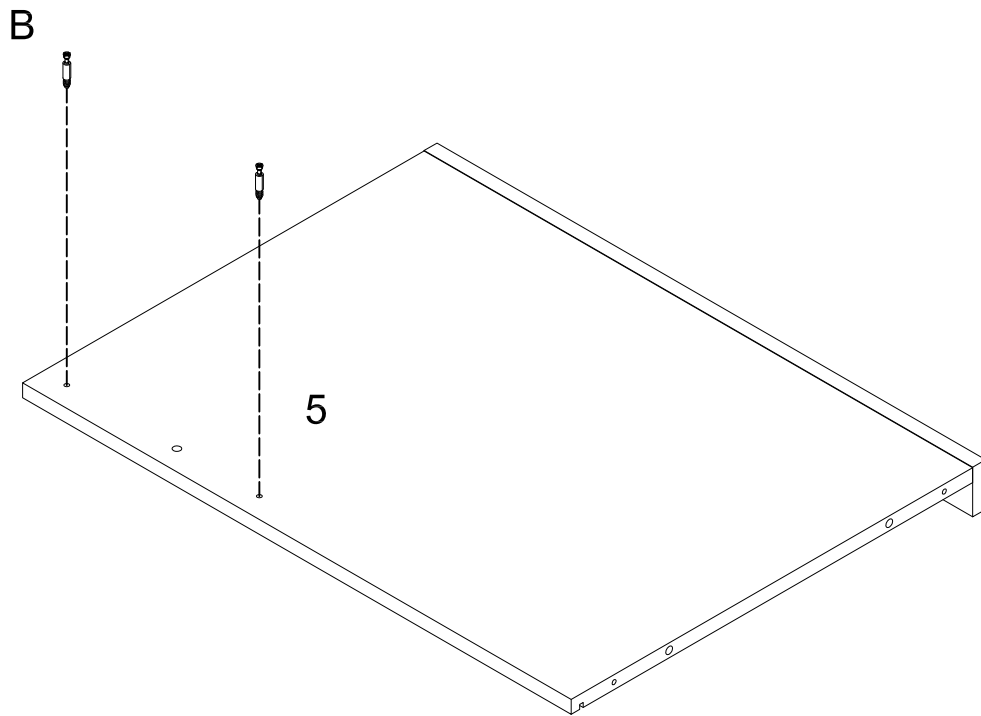
Step 5



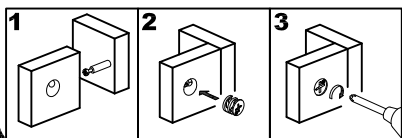
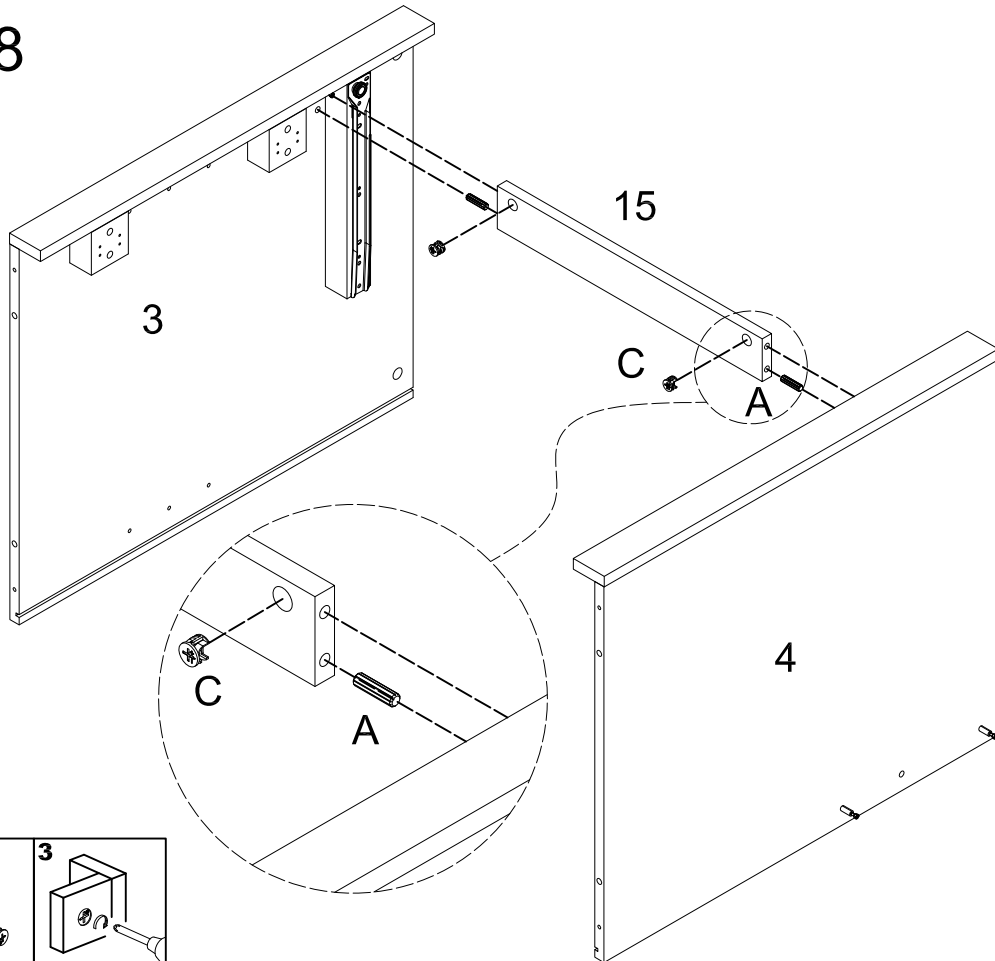
Step 6



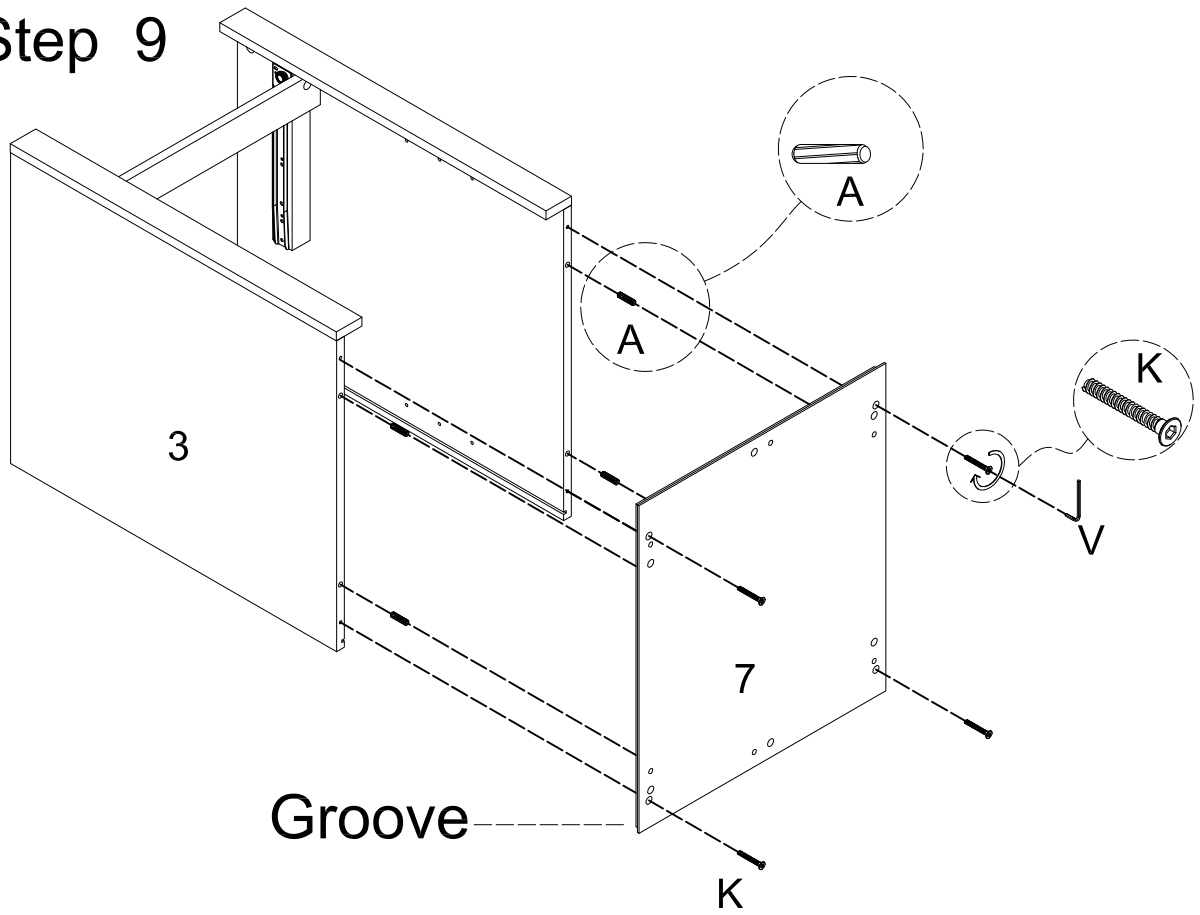
Step 7



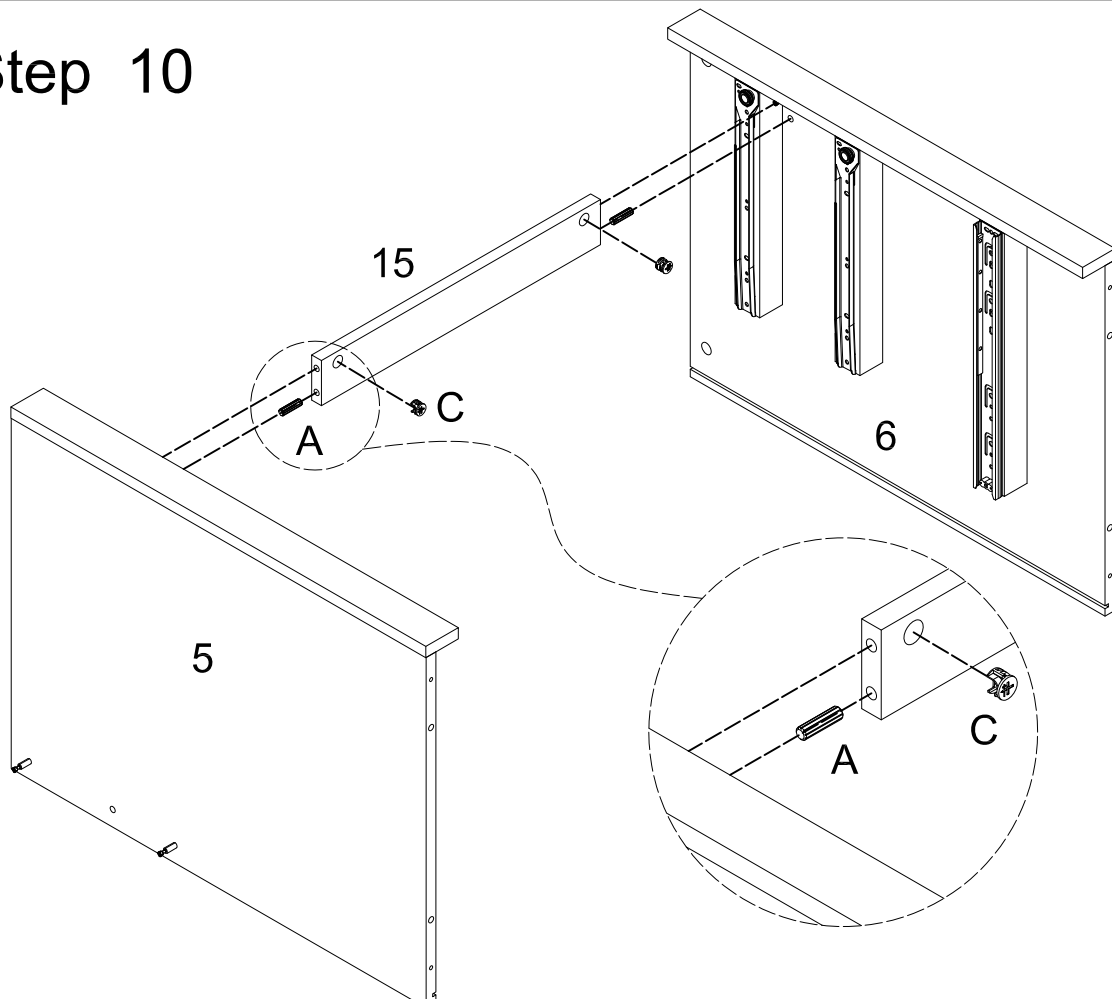
Step 8



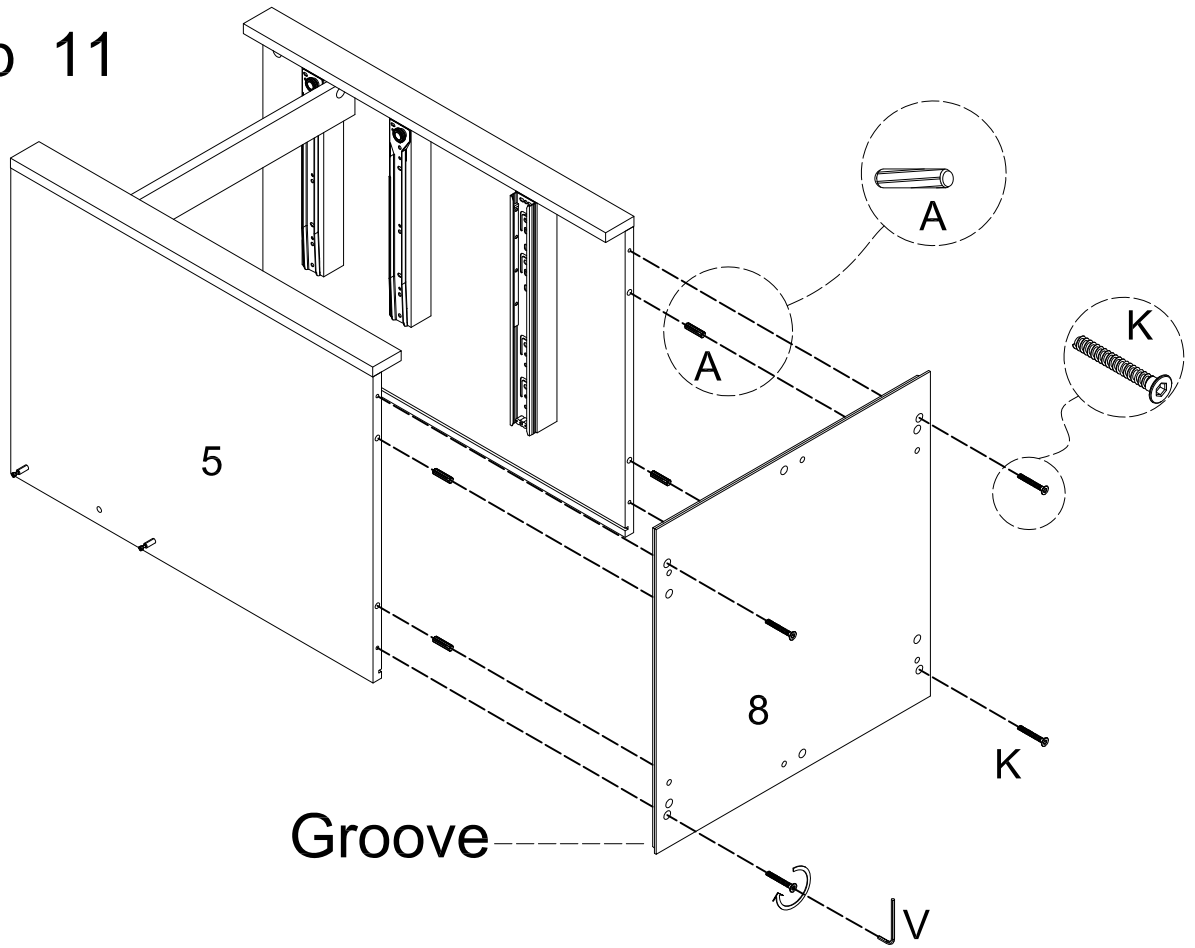
Step 9



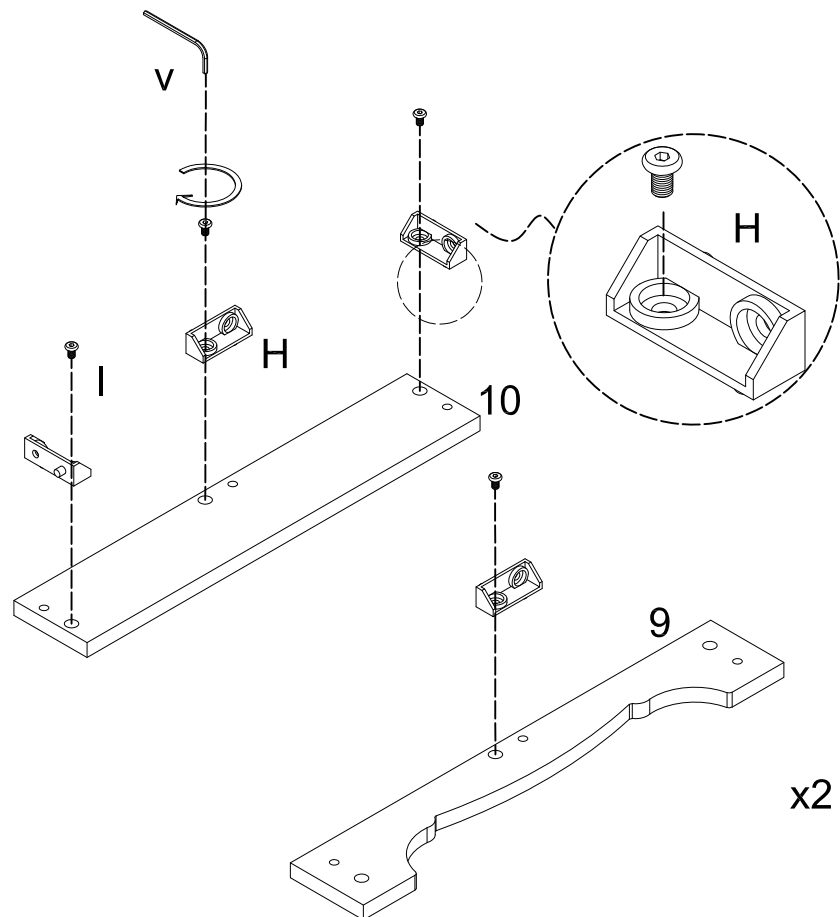
Step 10



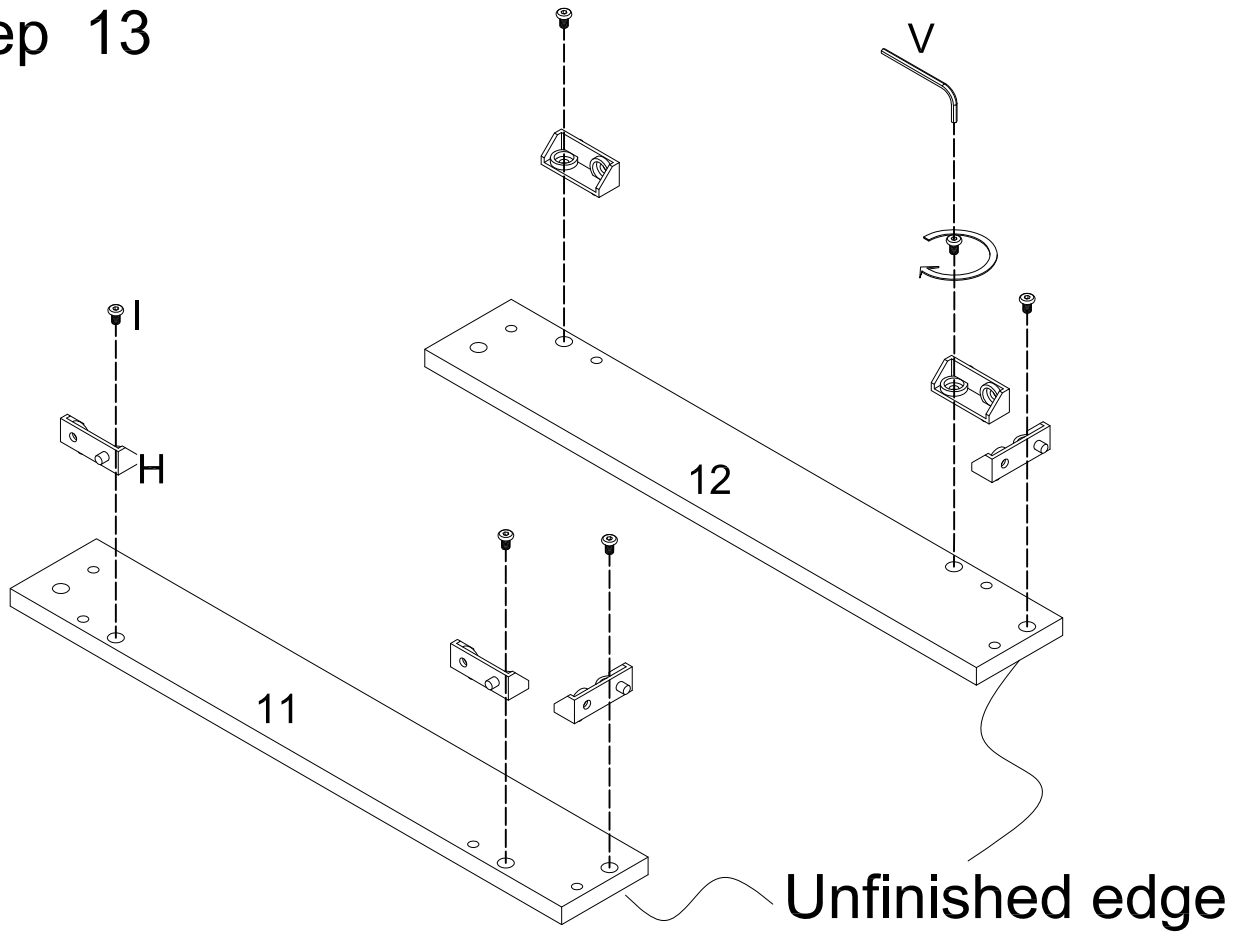
Step 11



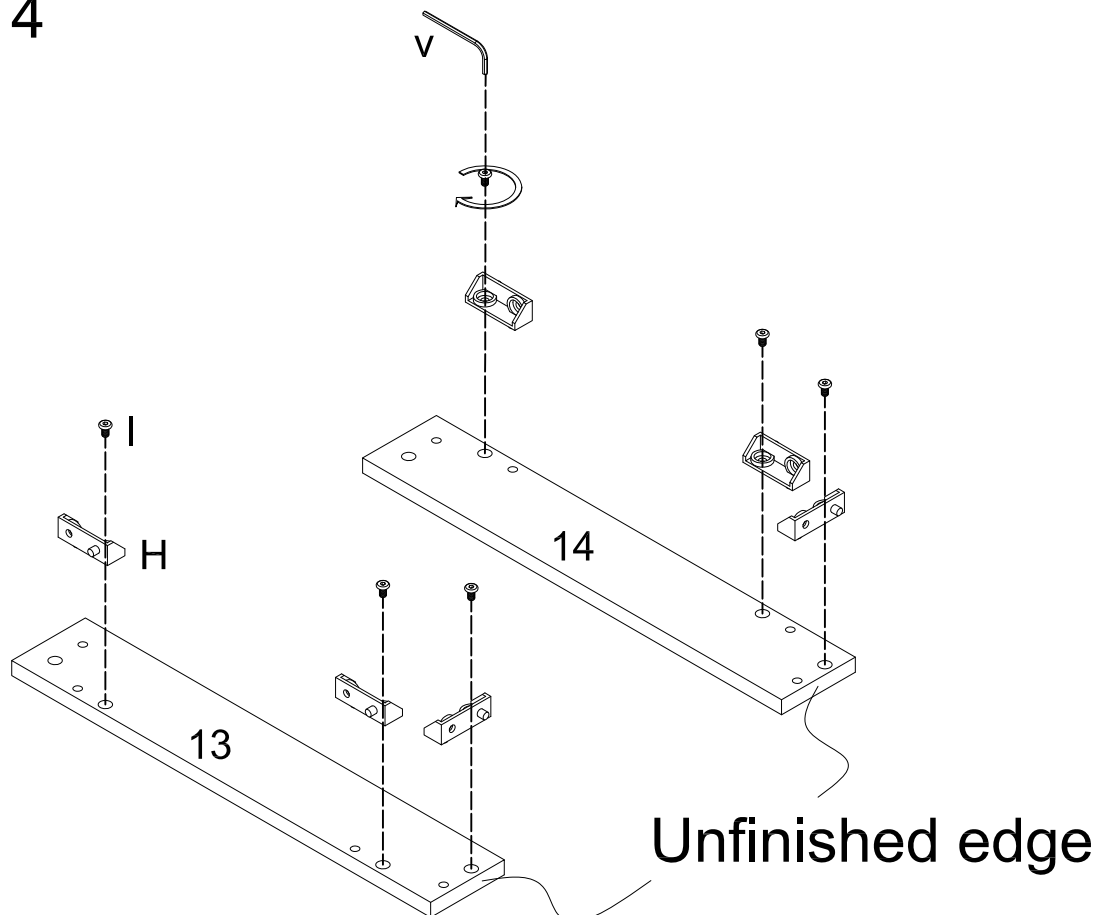
Step 12



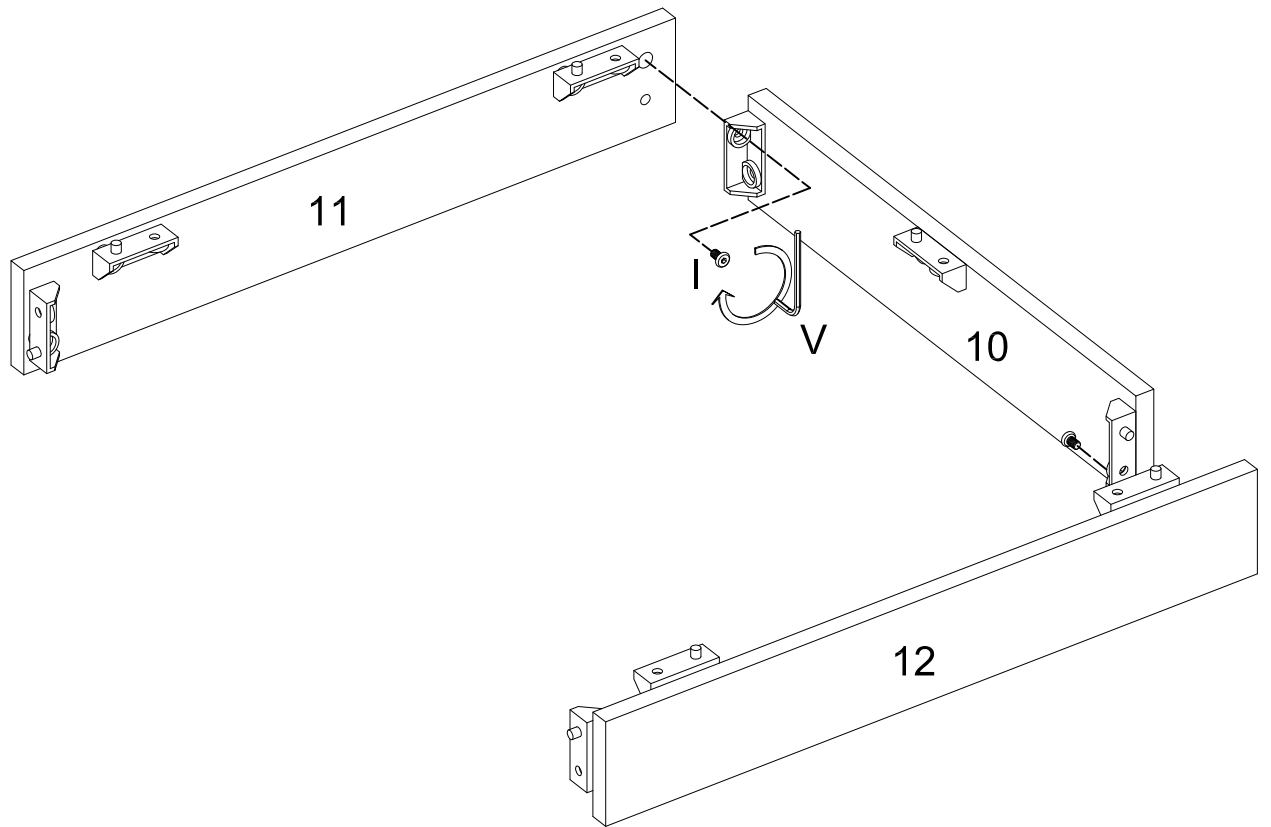
Step 13



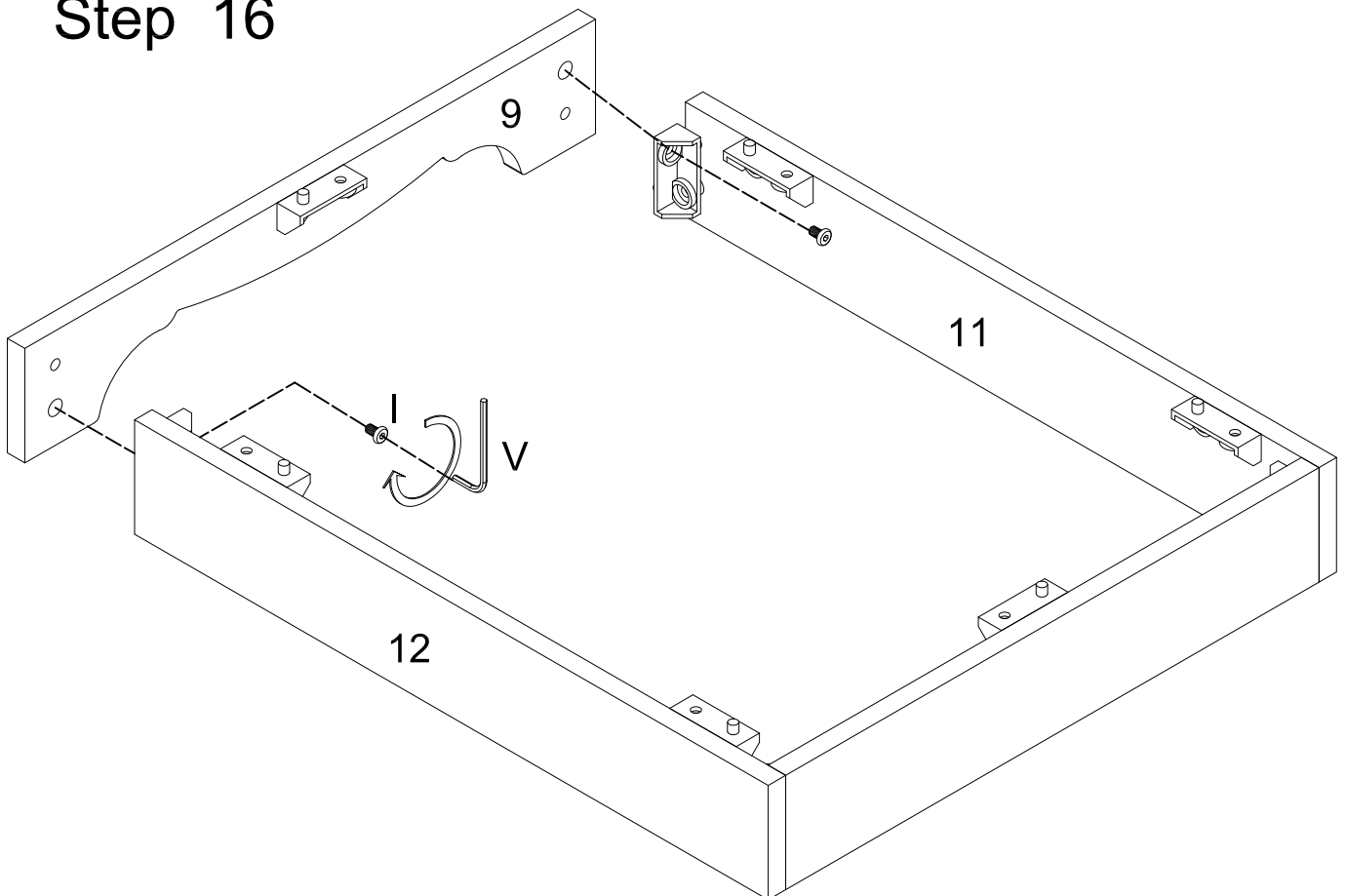
Step 14



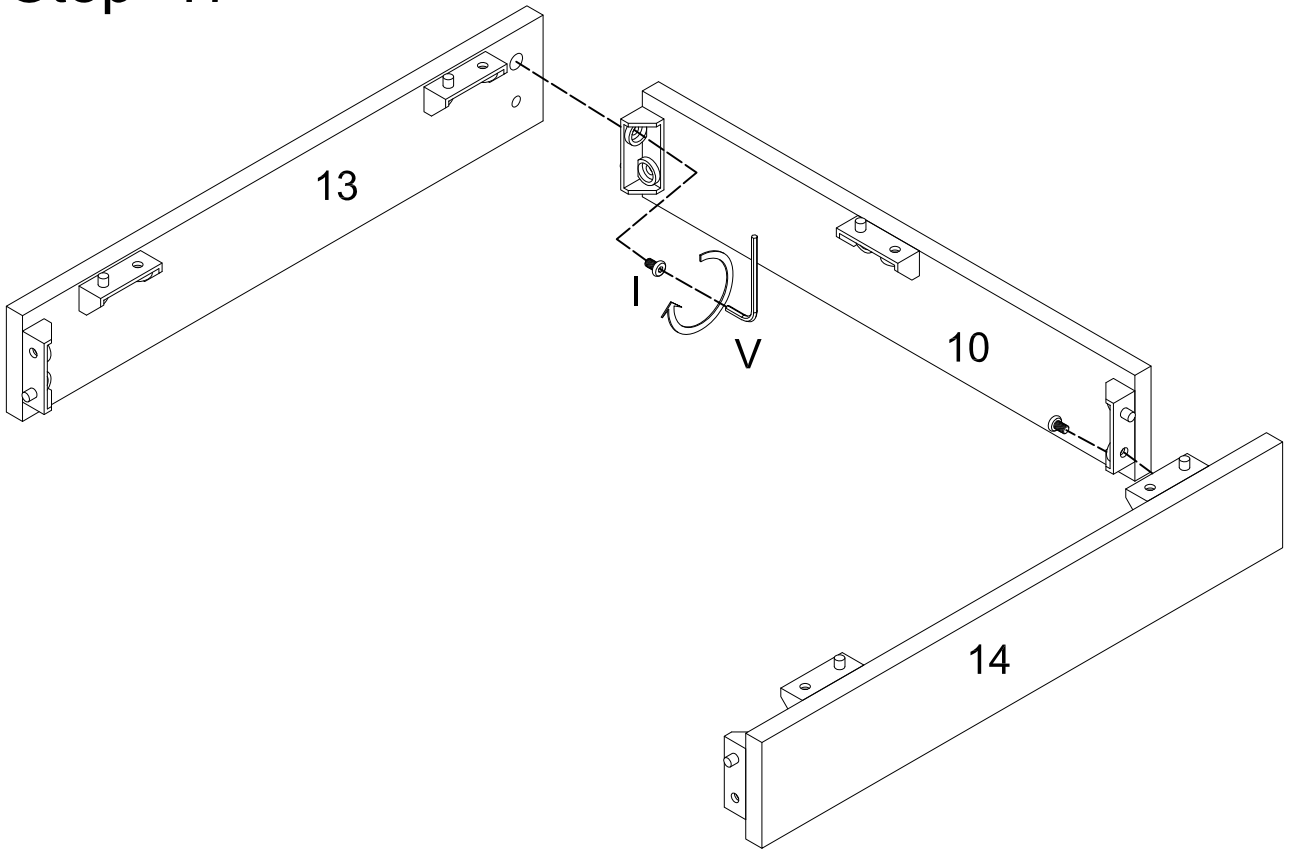
Step 15



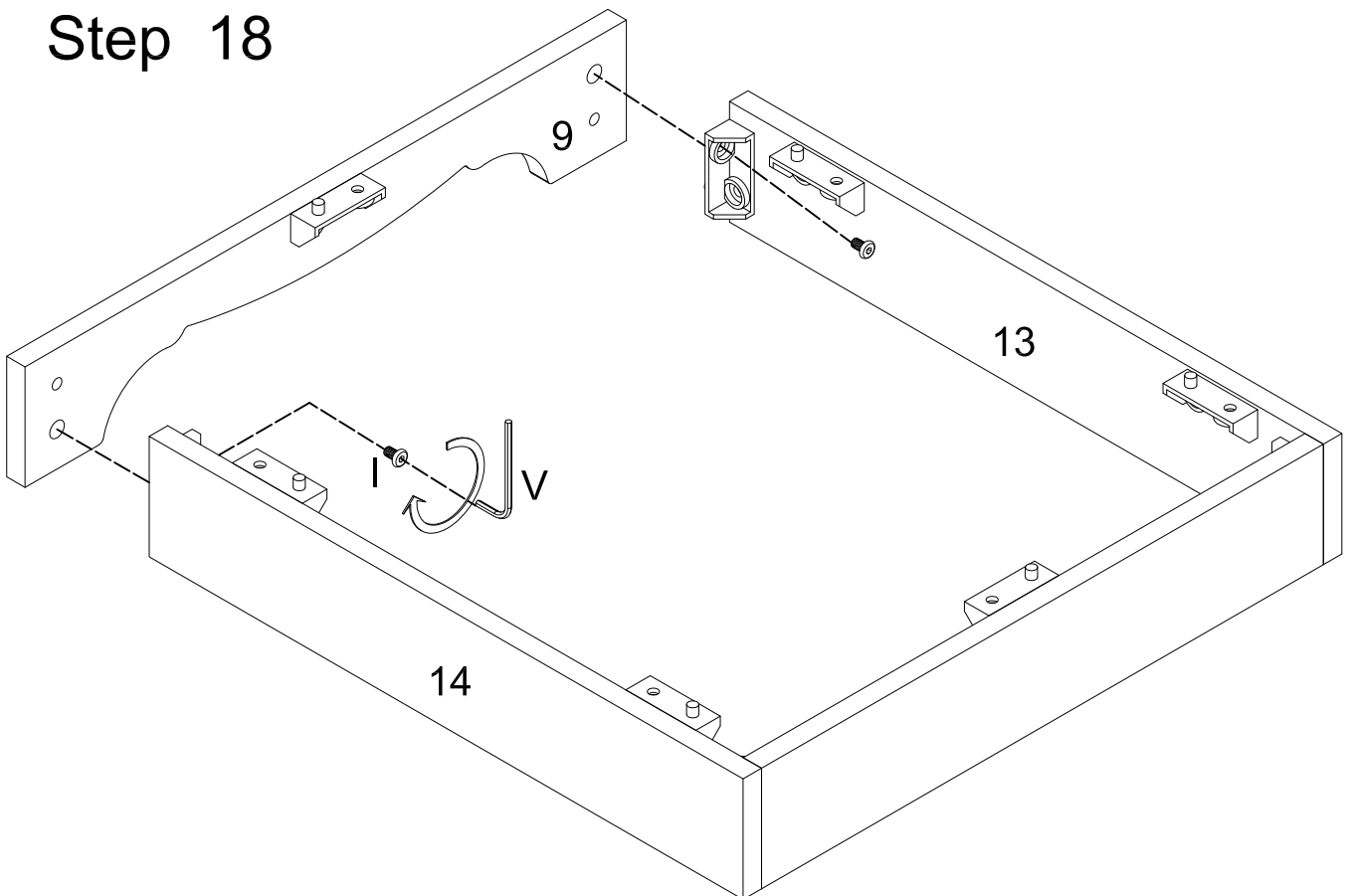
Step 16



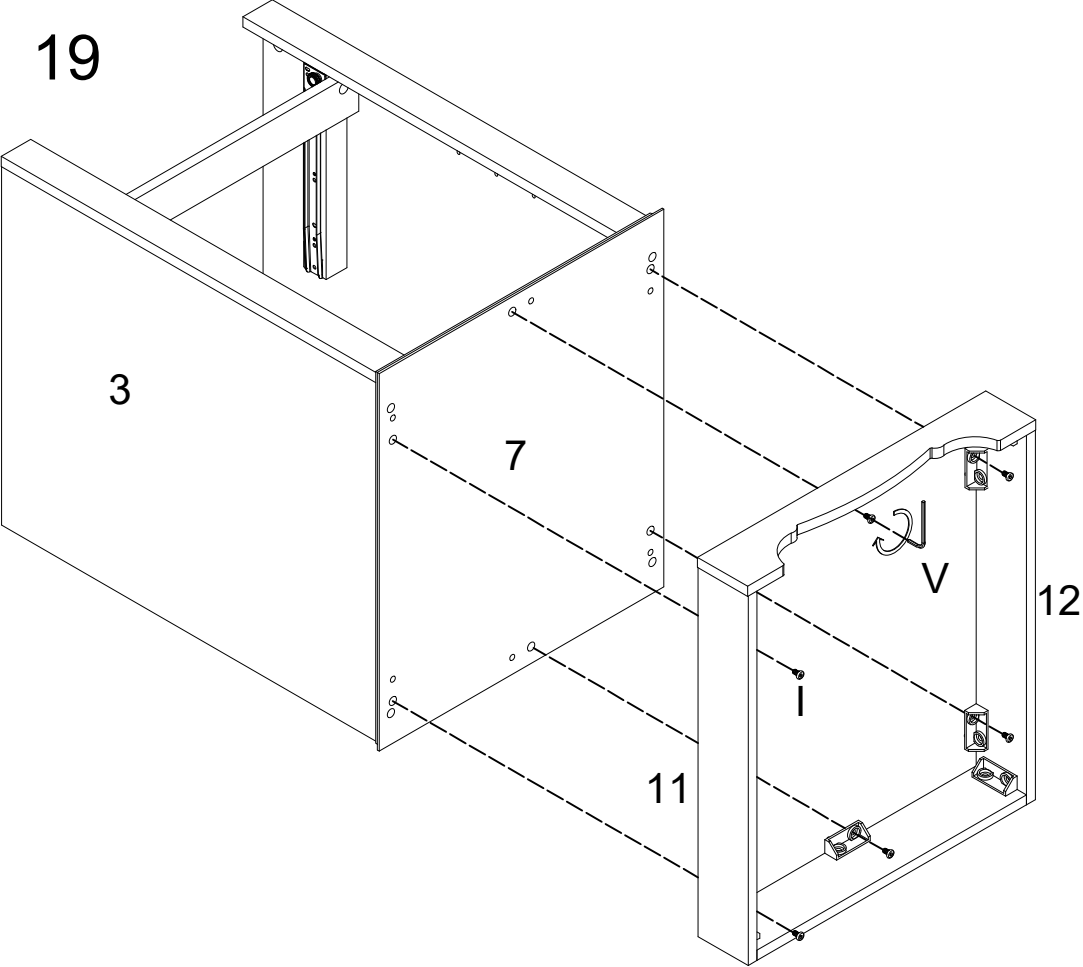
Step 17



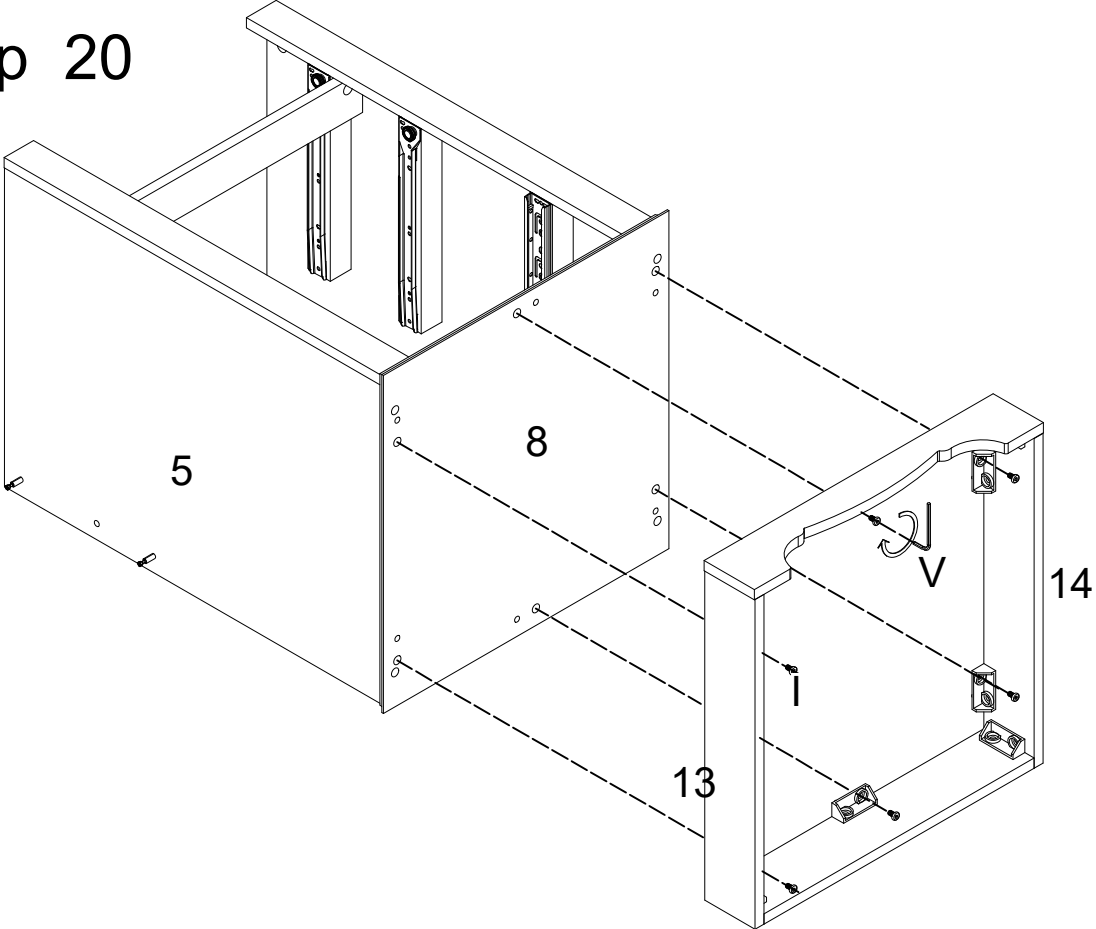
Step 18



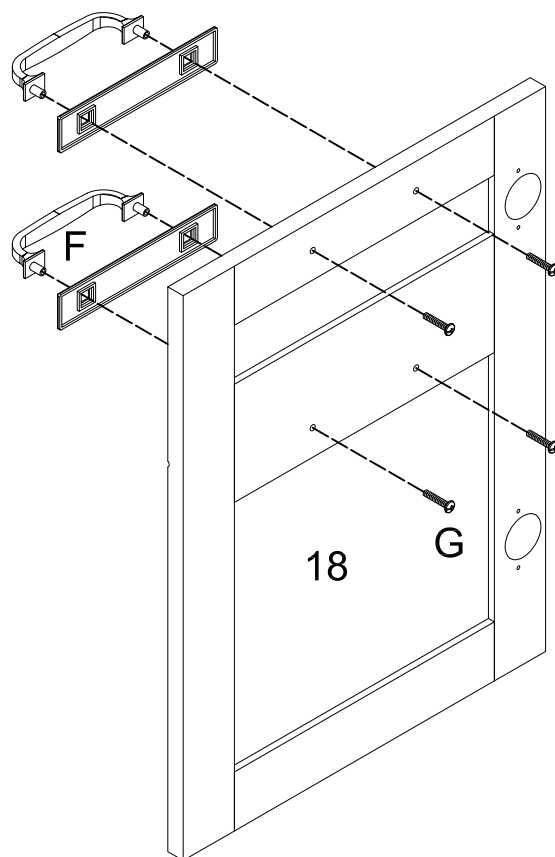
Step 19



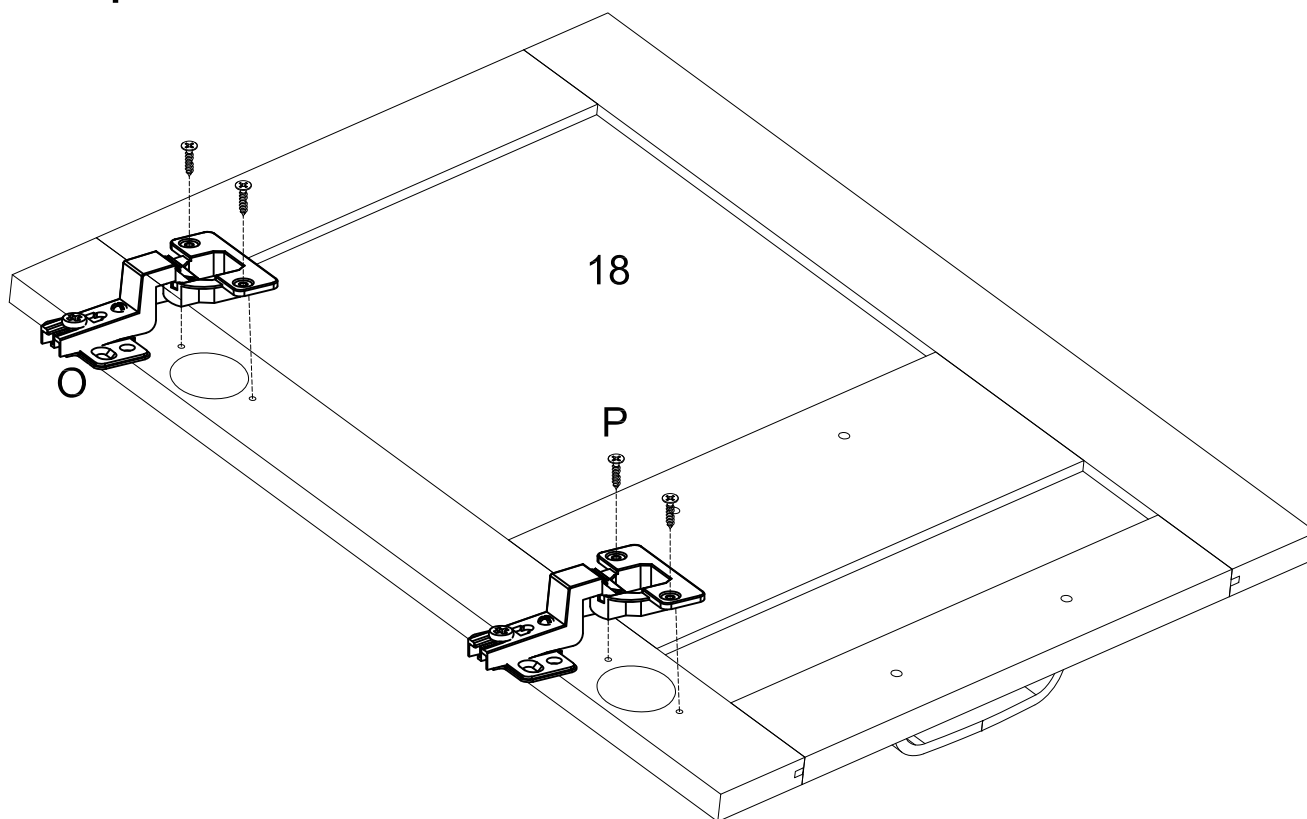
Step 20



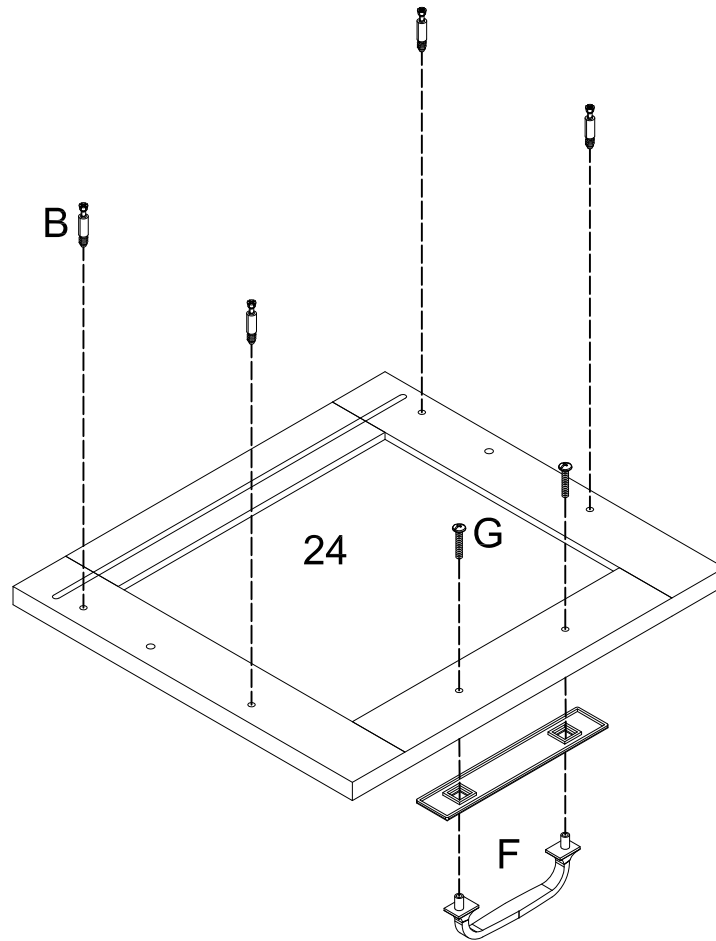
Step 21



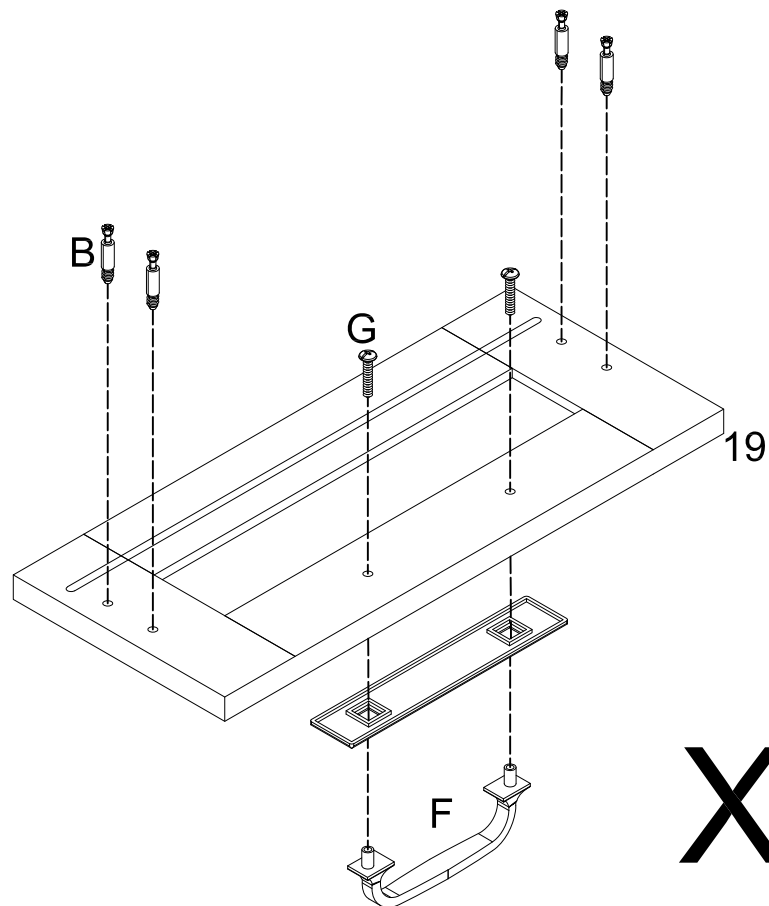
Step 22



Step 23

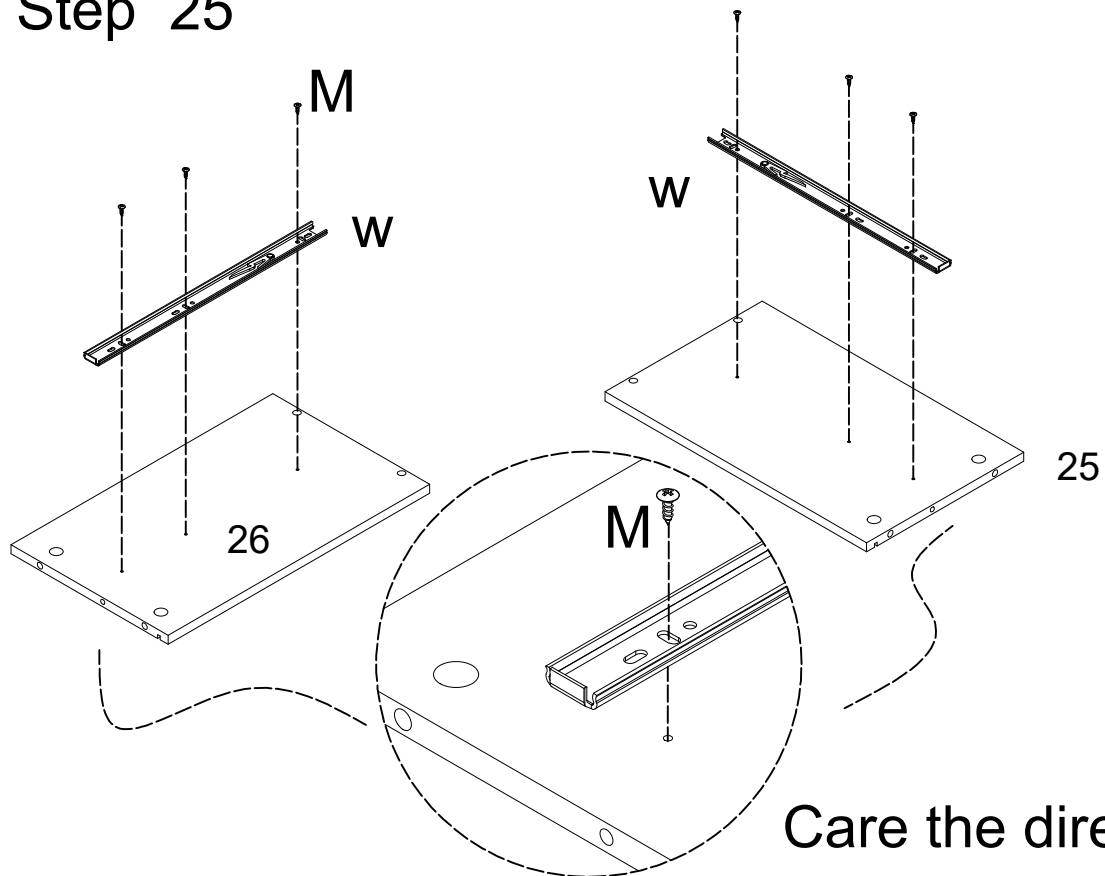


Step 24

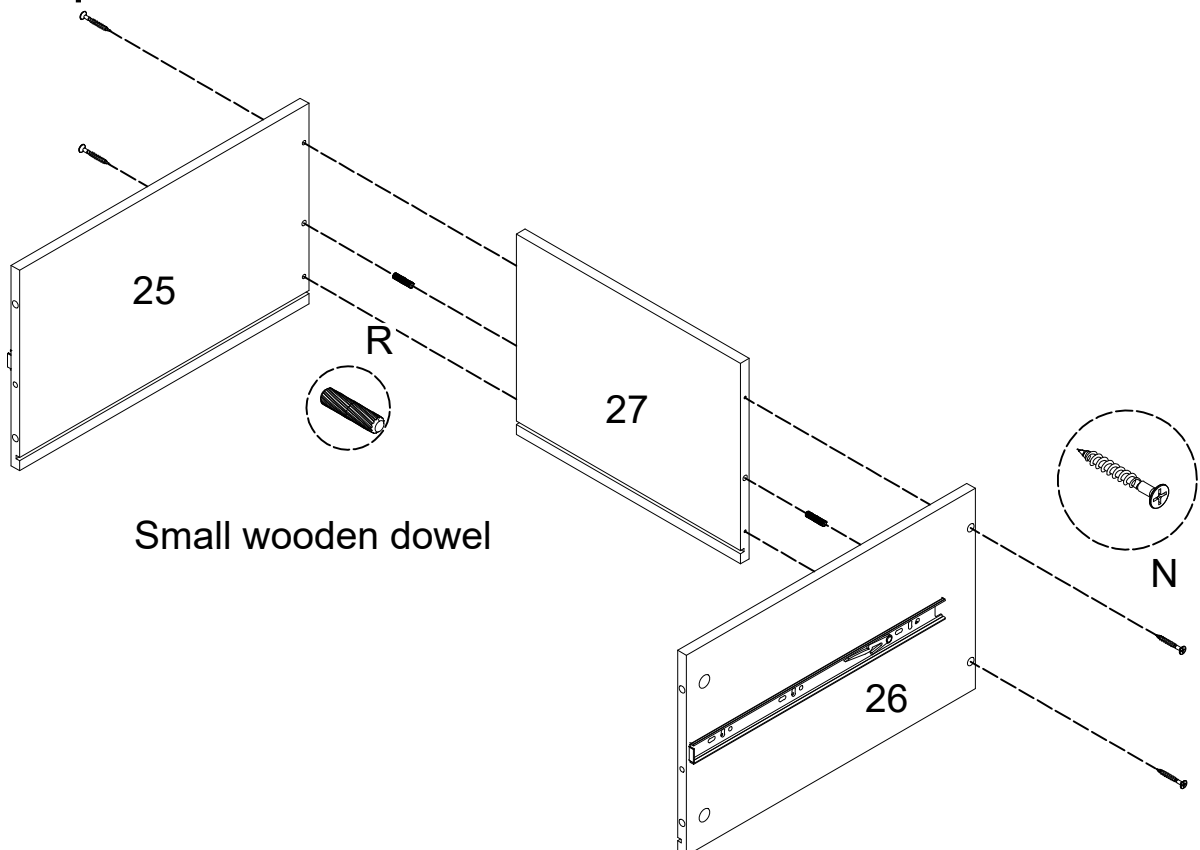


X3

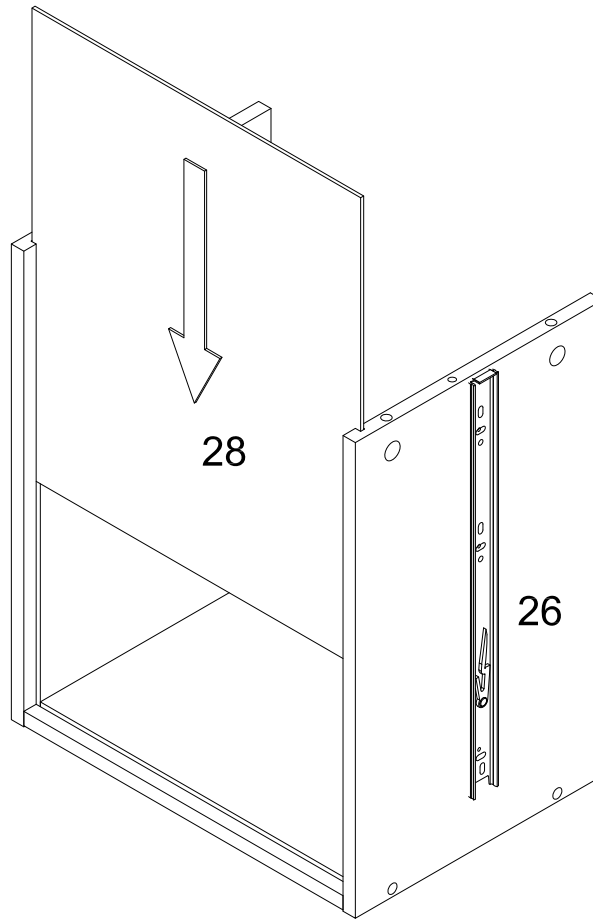
Step 25



Step 26

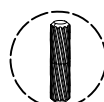


Step 27



Step 28

Small wooden dowel

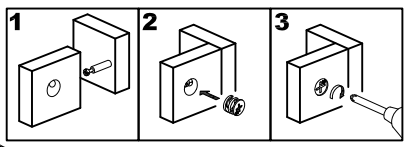
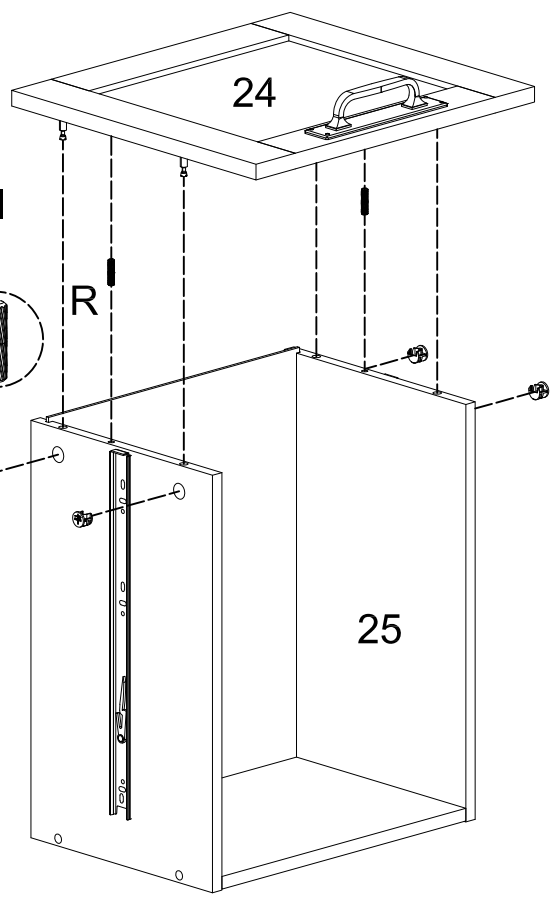


R

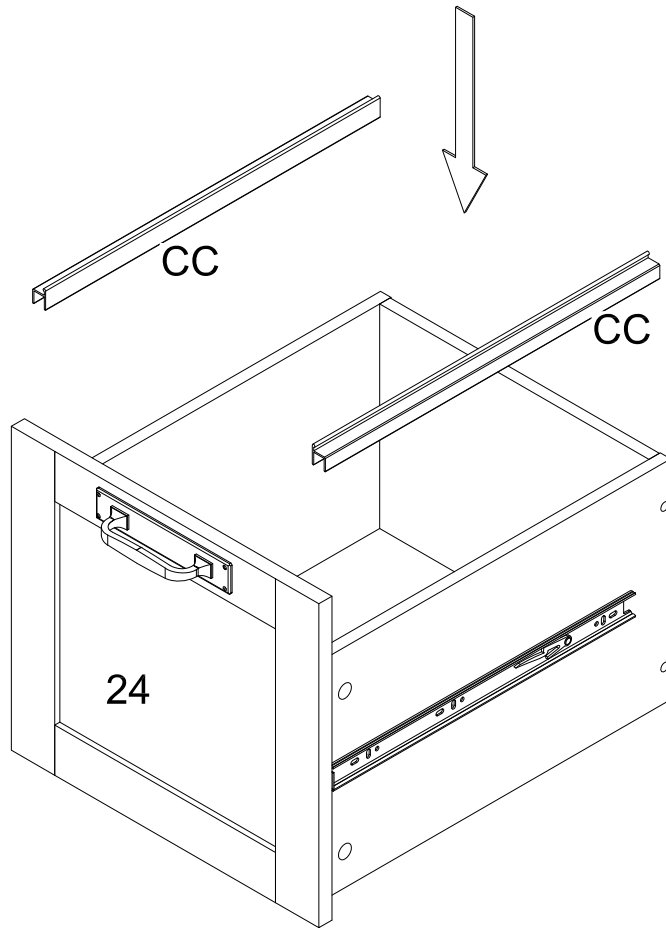


D

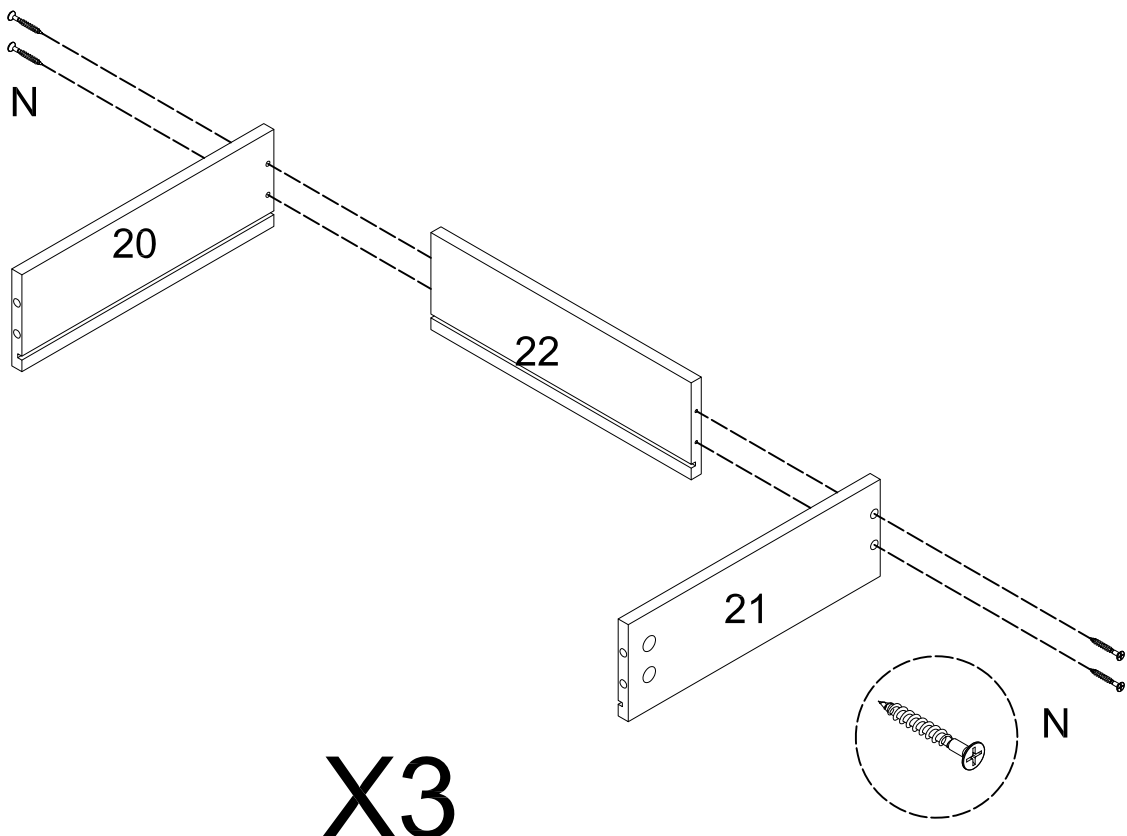
Small cam lock



Step 29

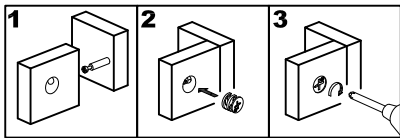
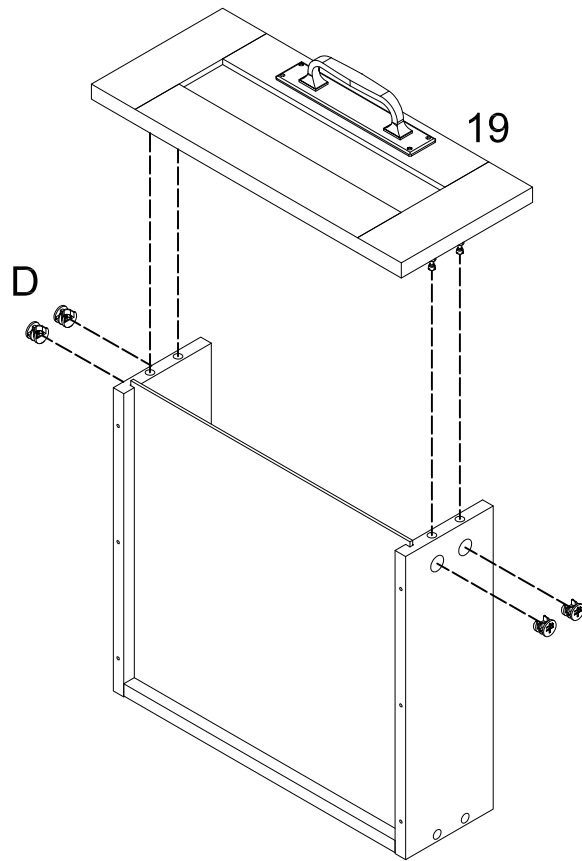
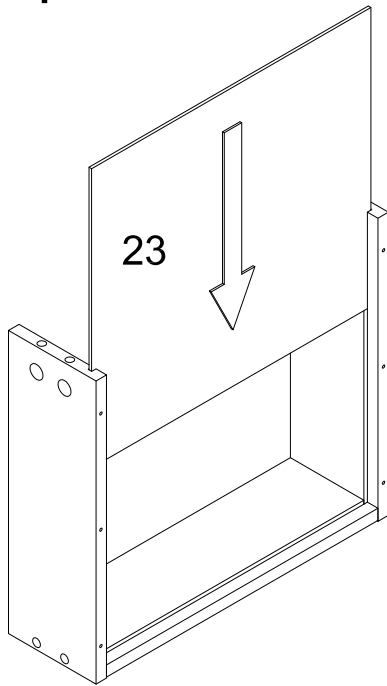


Step 30



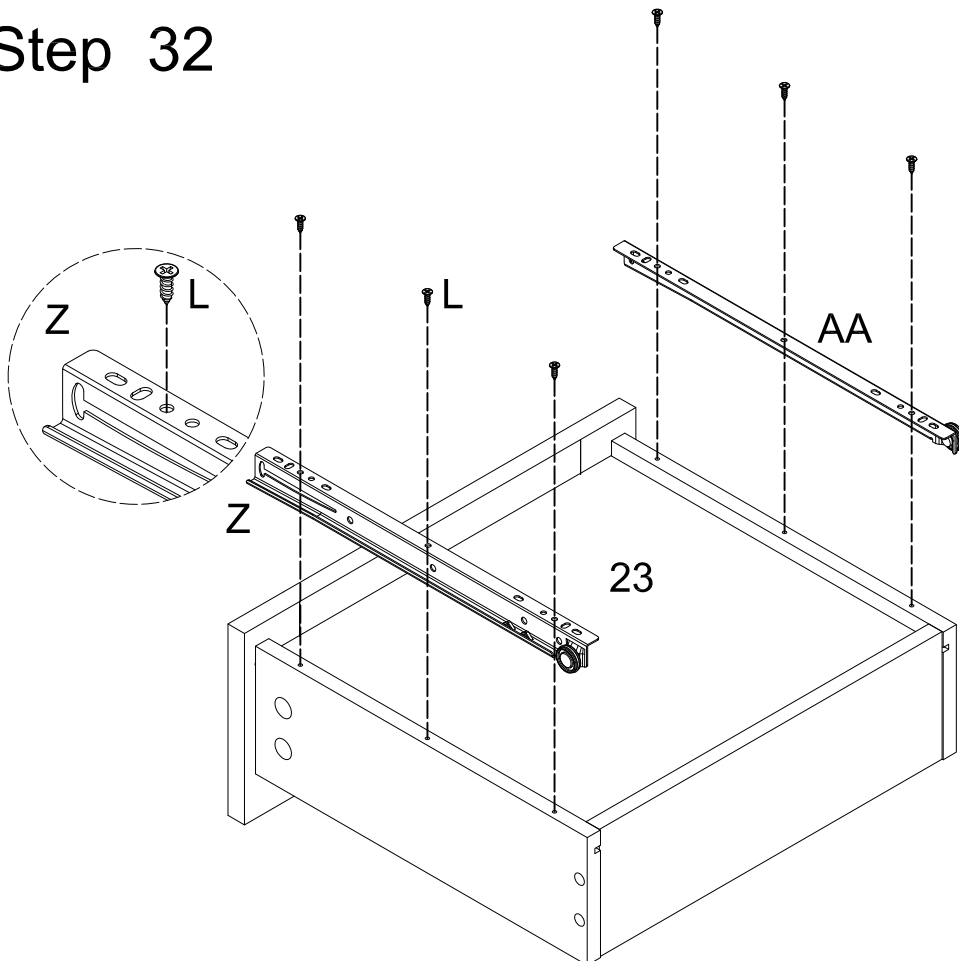
Step 31

D (Small cam lock)



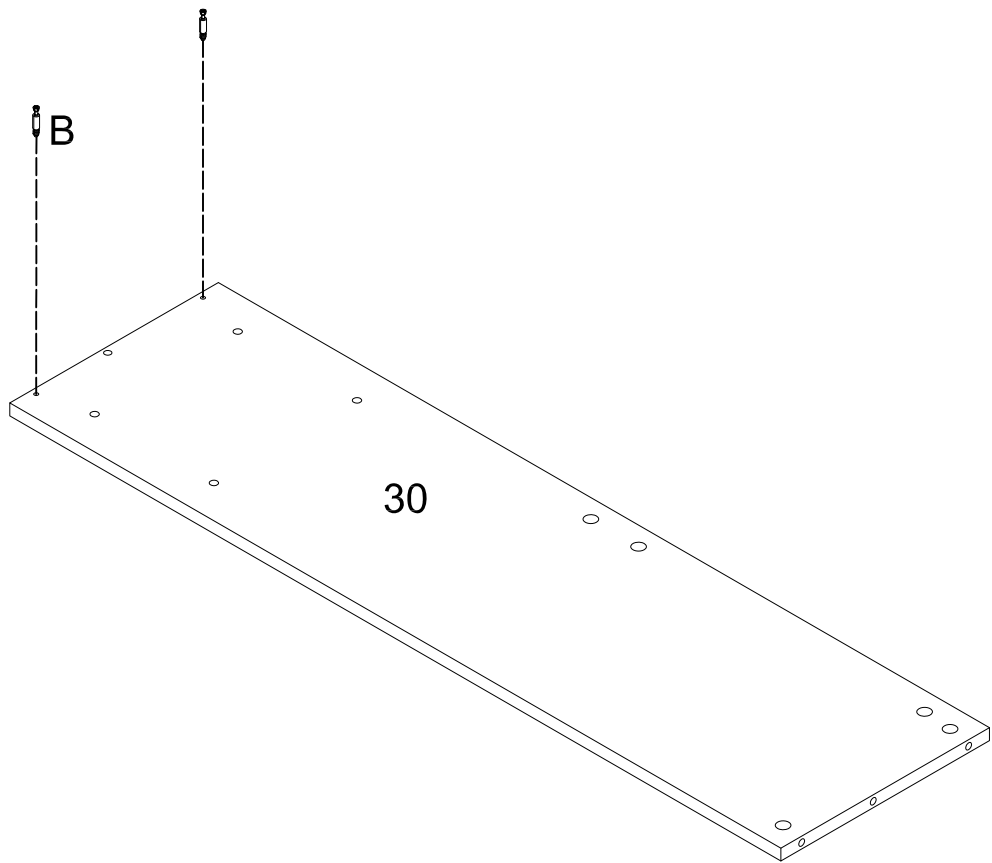
X3

Step 32

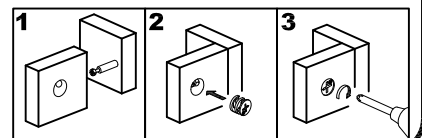
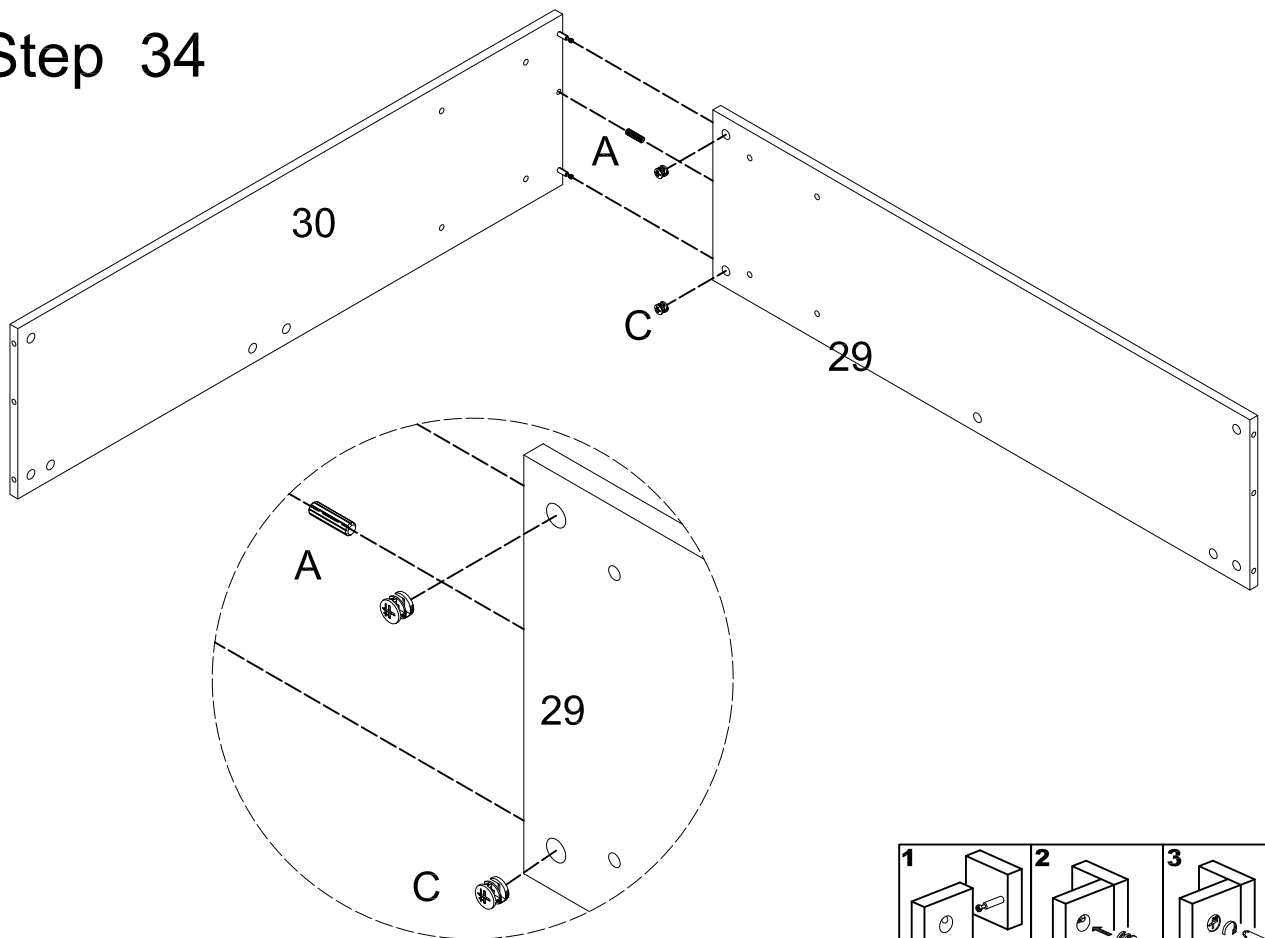


X3

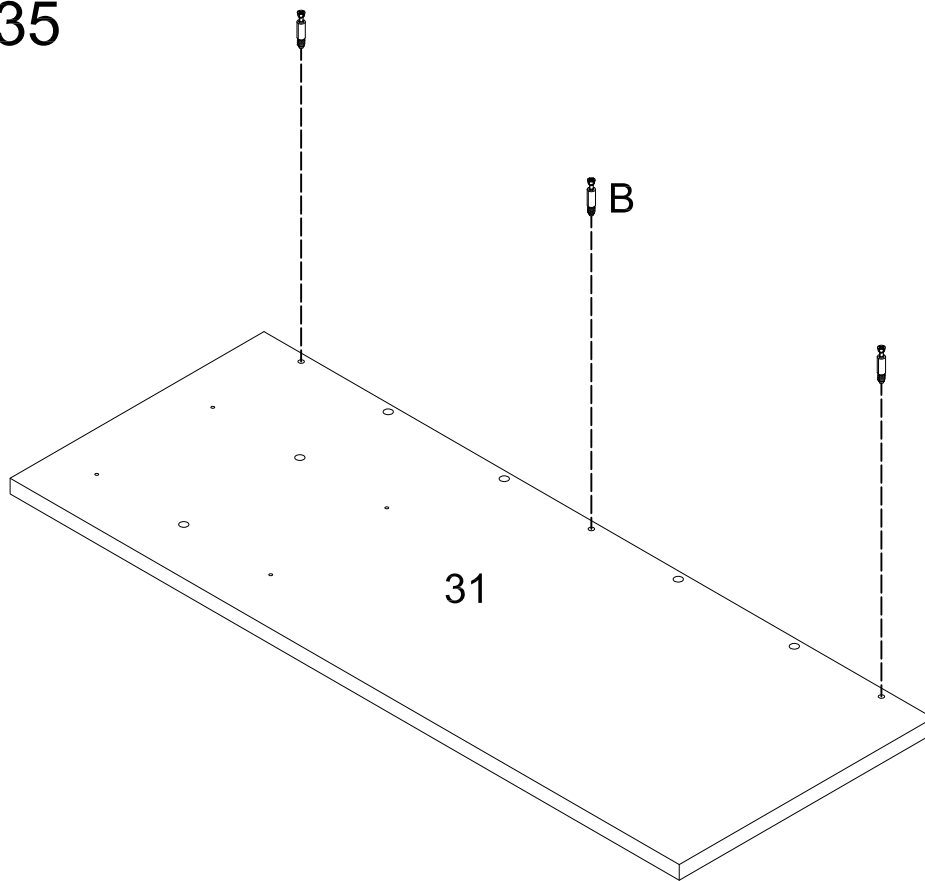
Step 33



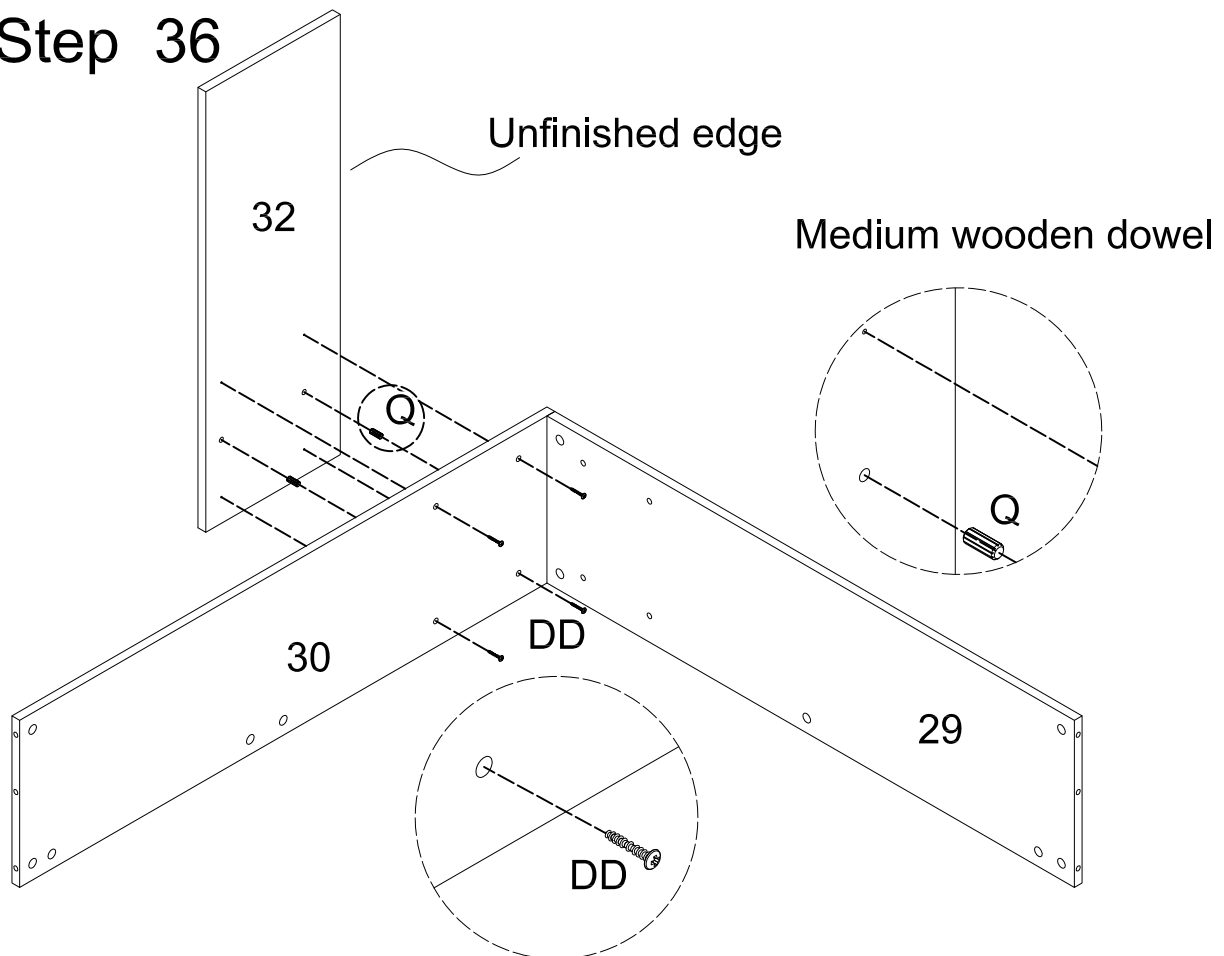
Step 34



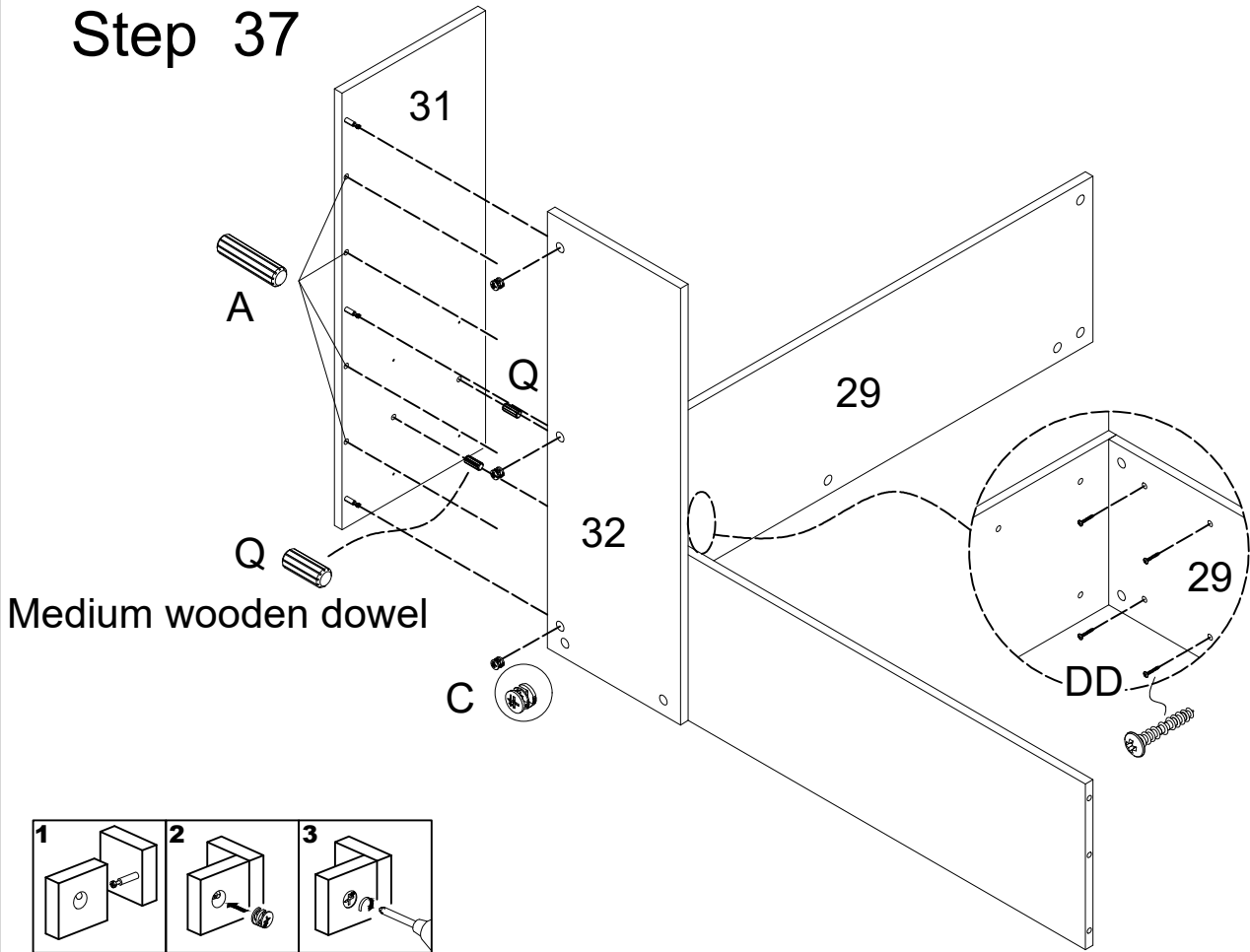
Step 35



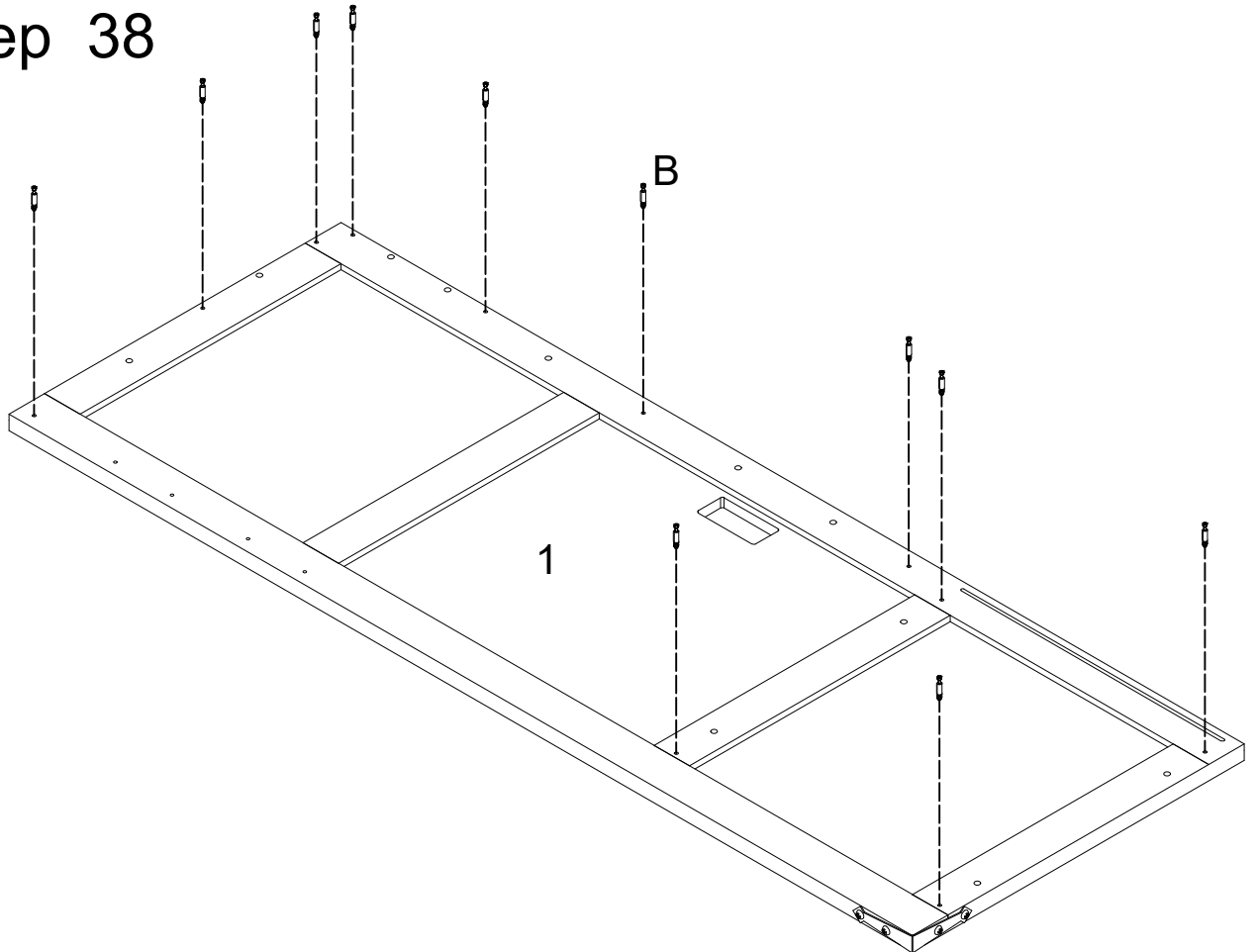
Step 36



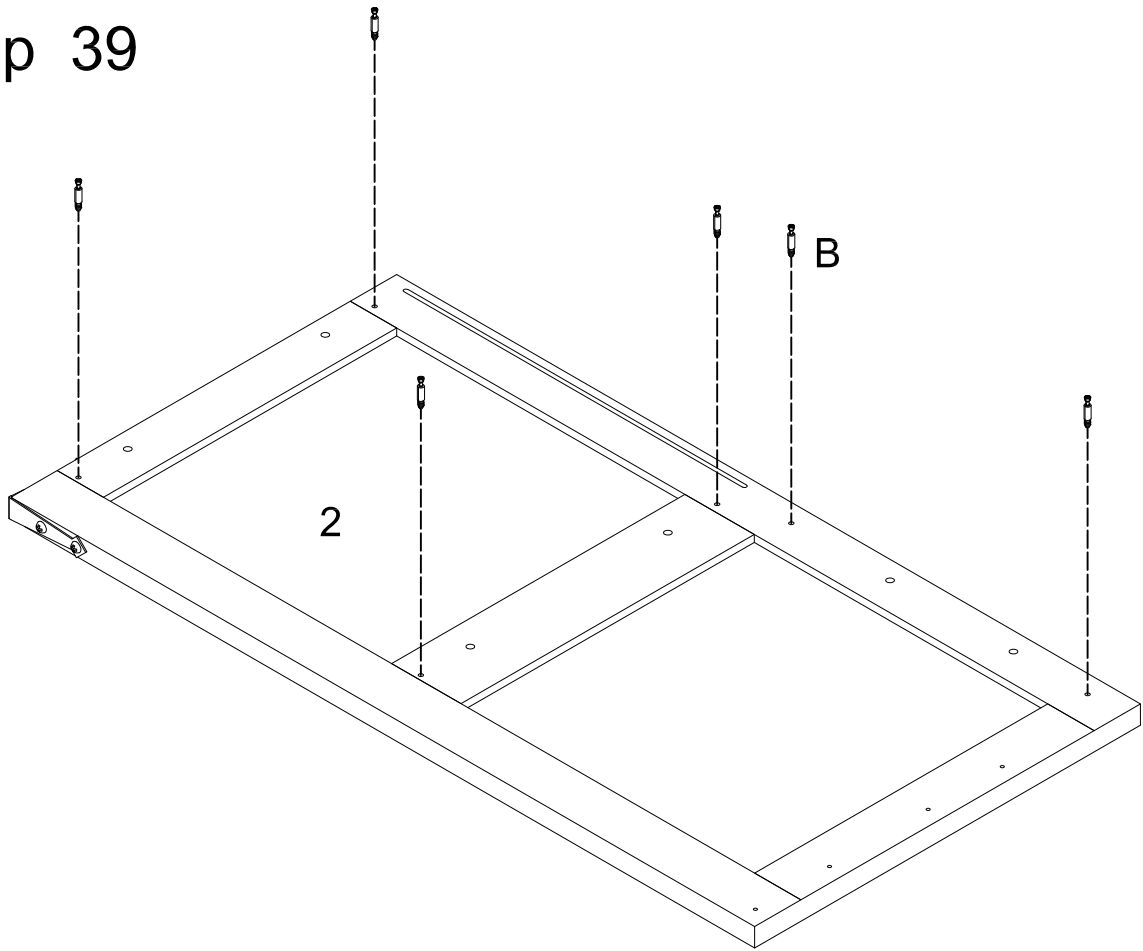
Step 37



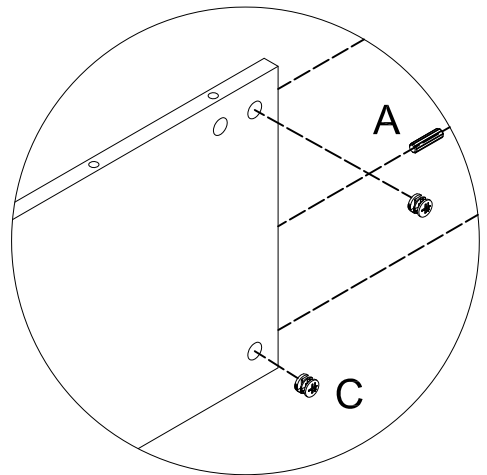
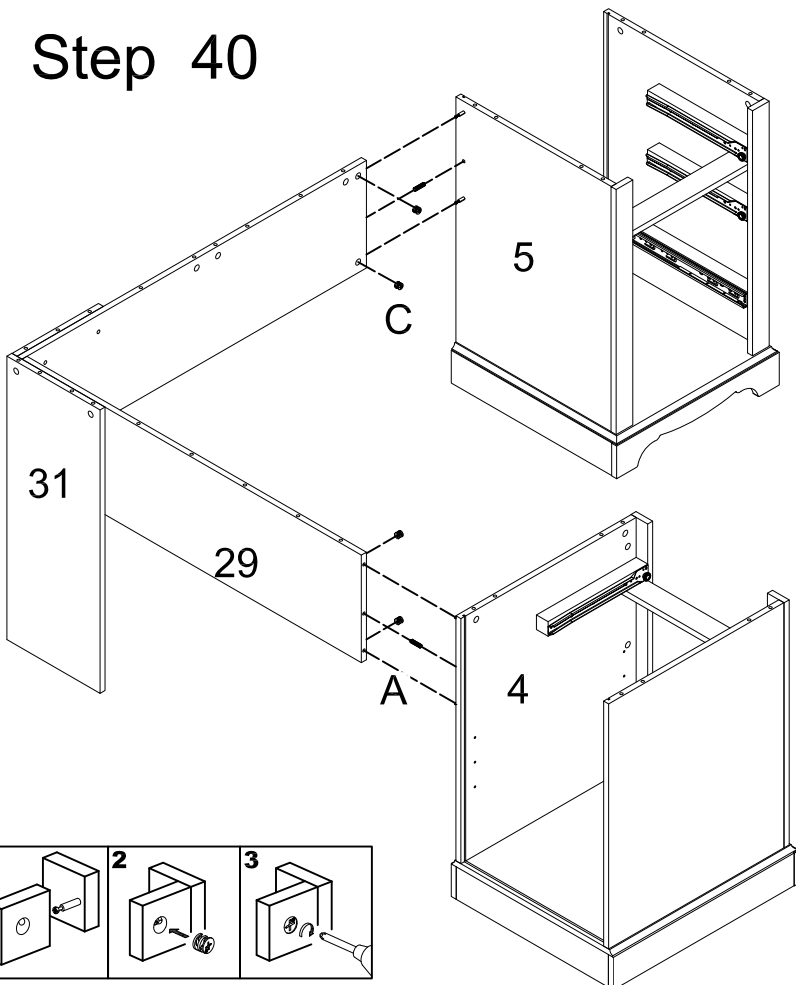
Step 38



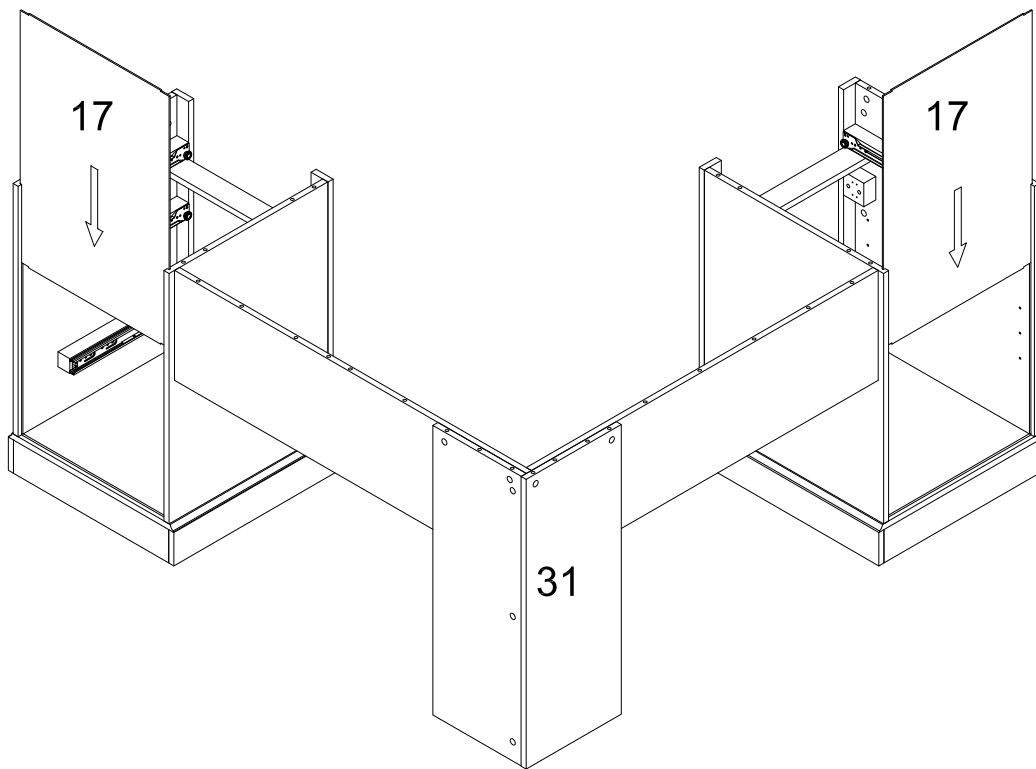
Step 39



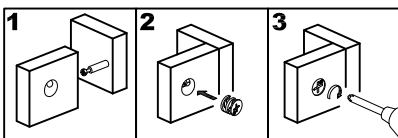
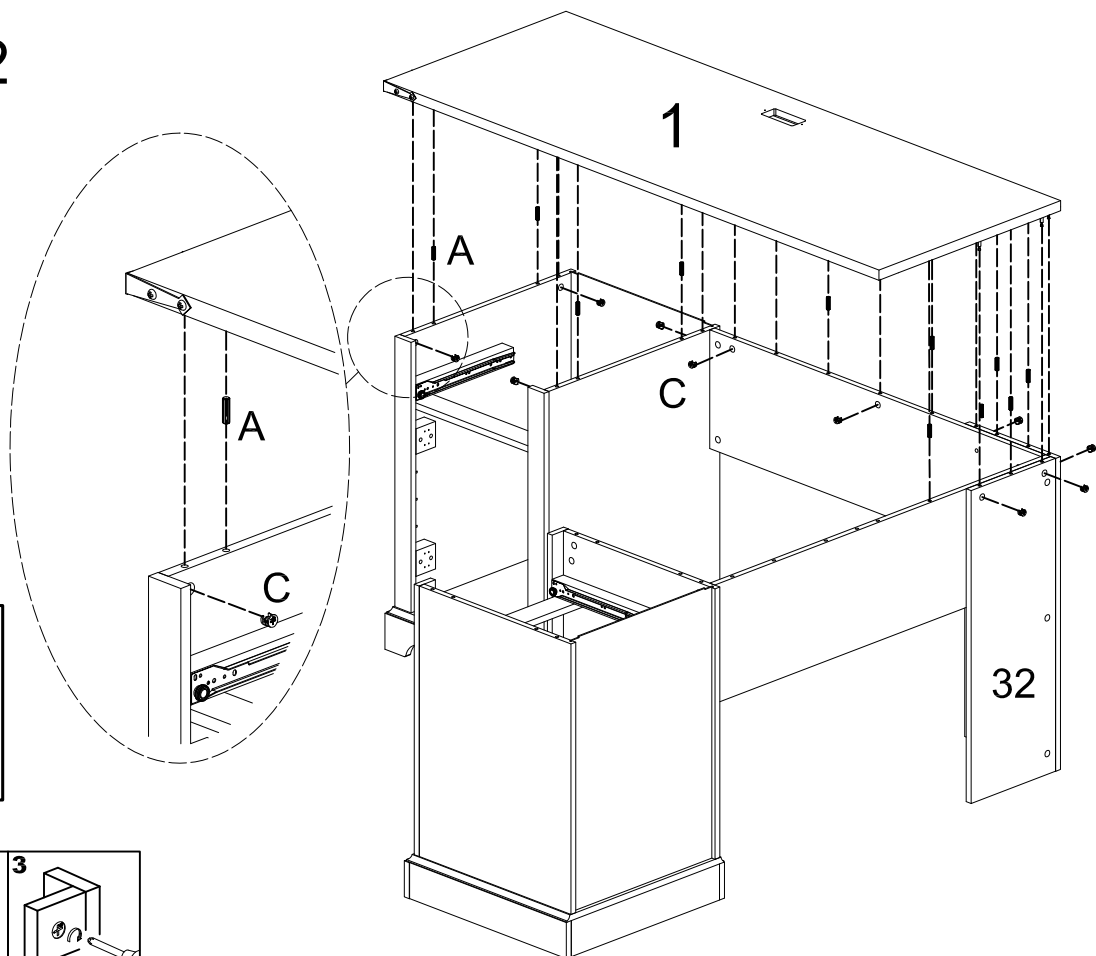
Step 40



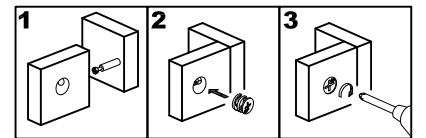
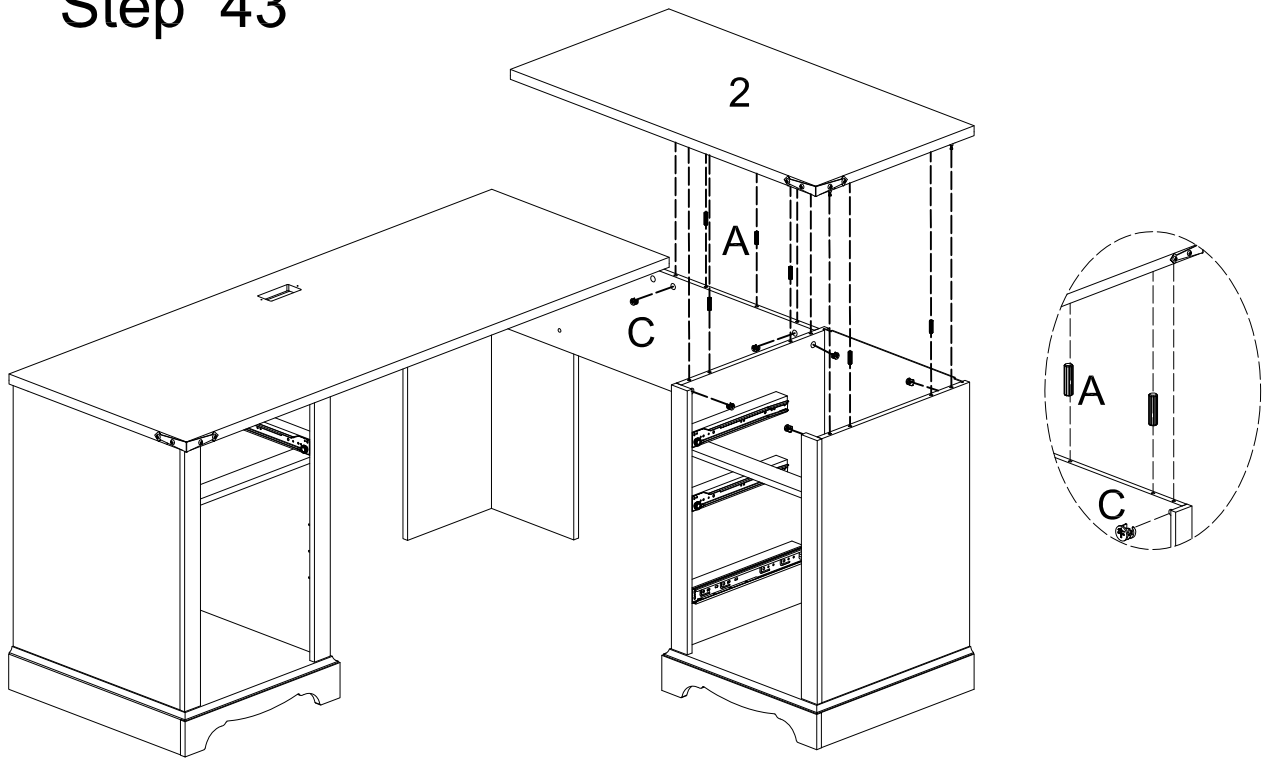
Step 41



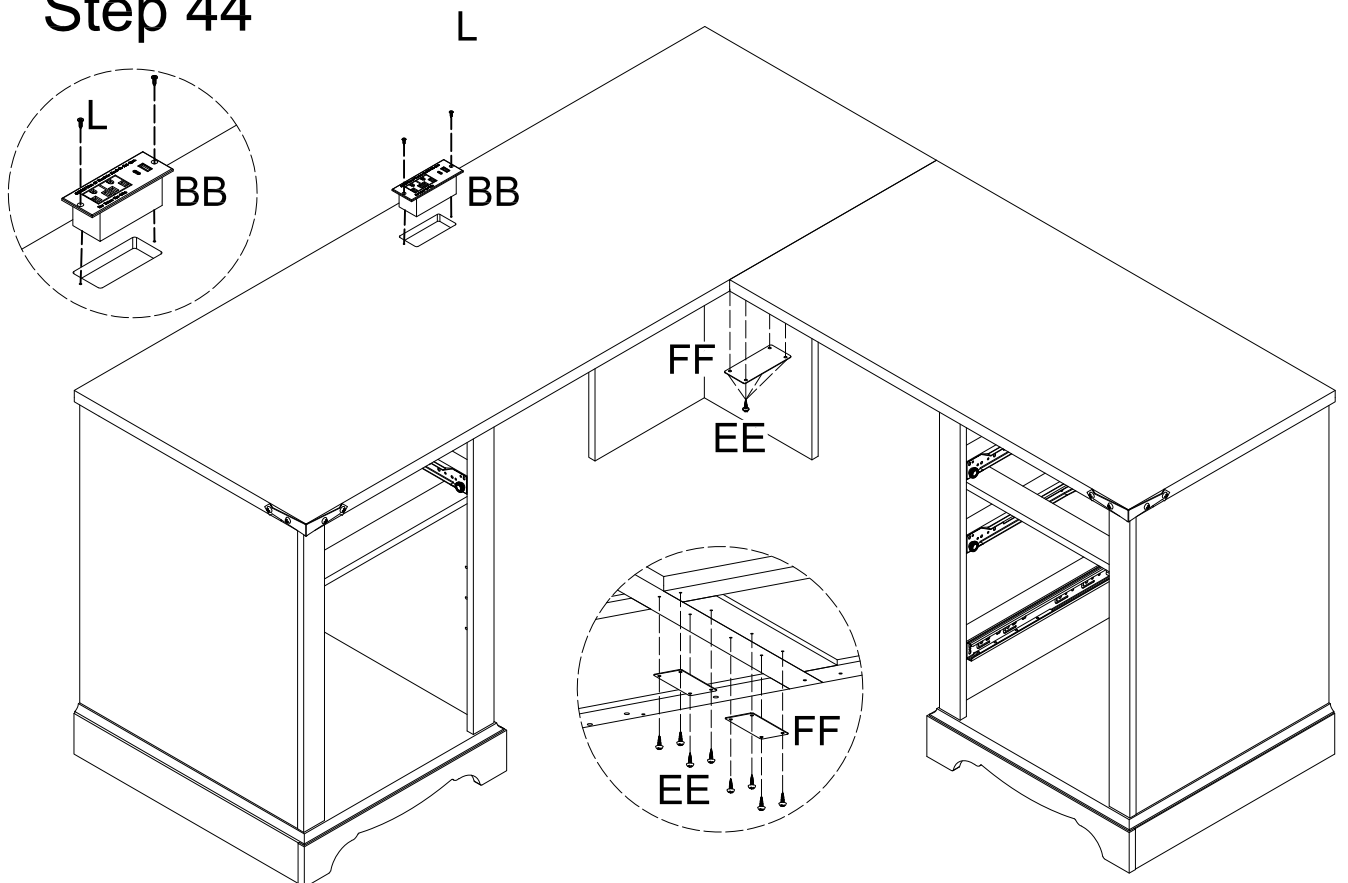
Step 42



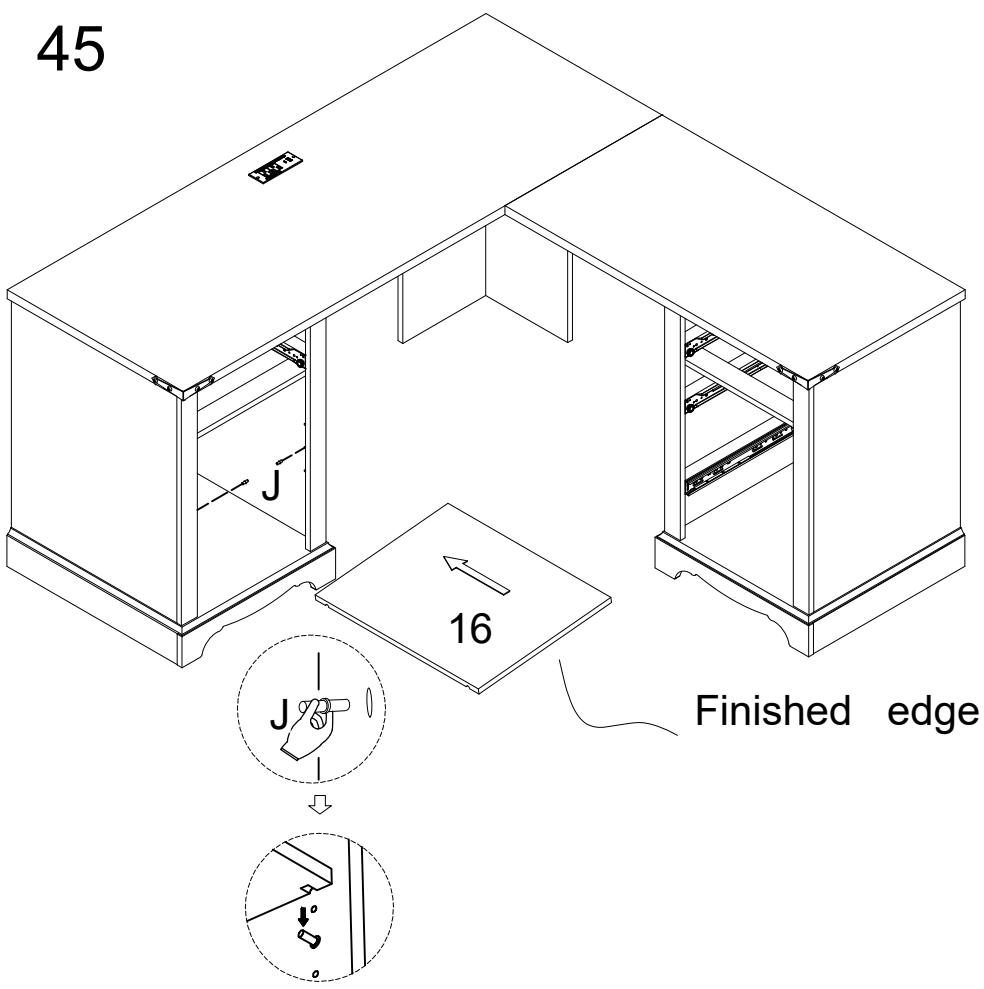
Step 43



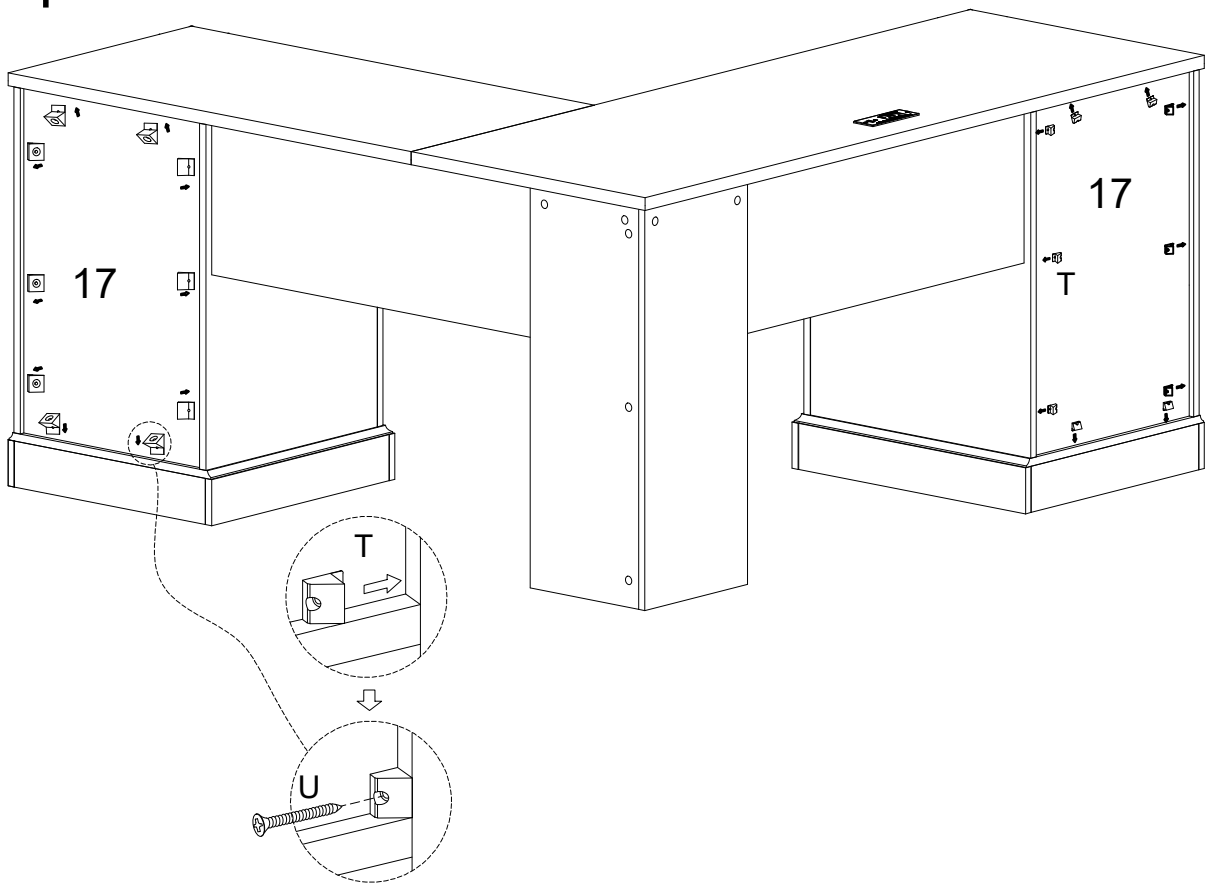
Step 44



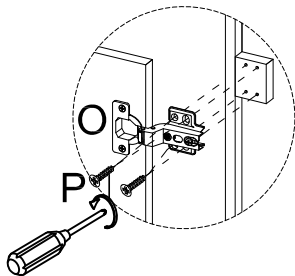
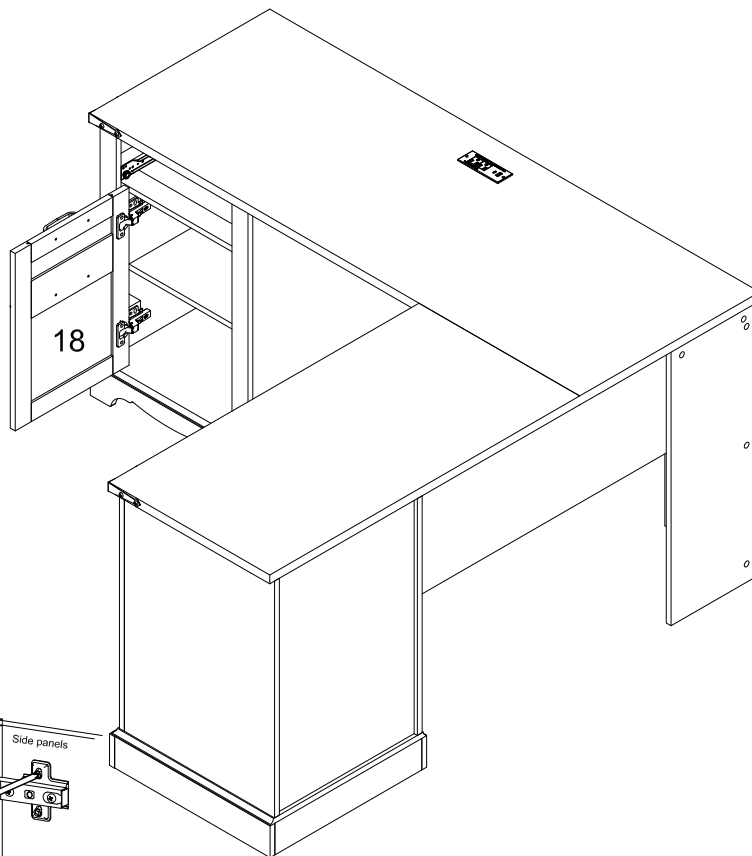
Step 45



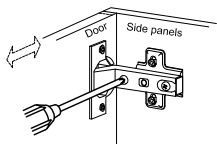
Step 46



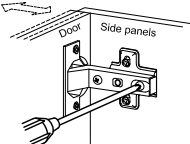
Step 47



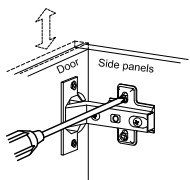
Concealed hinges are three-way adjustable.



Horizontal
by screw adjustment

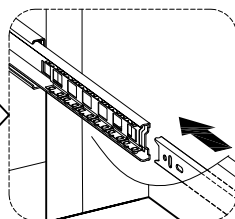
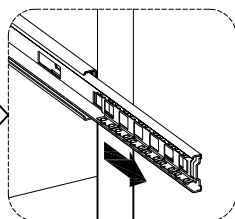
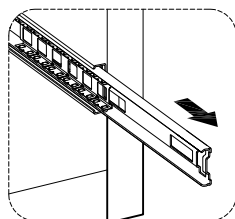
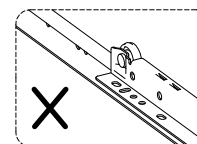
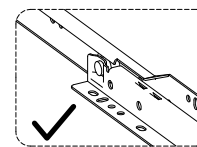
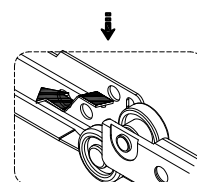
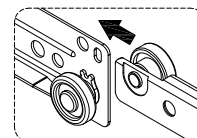
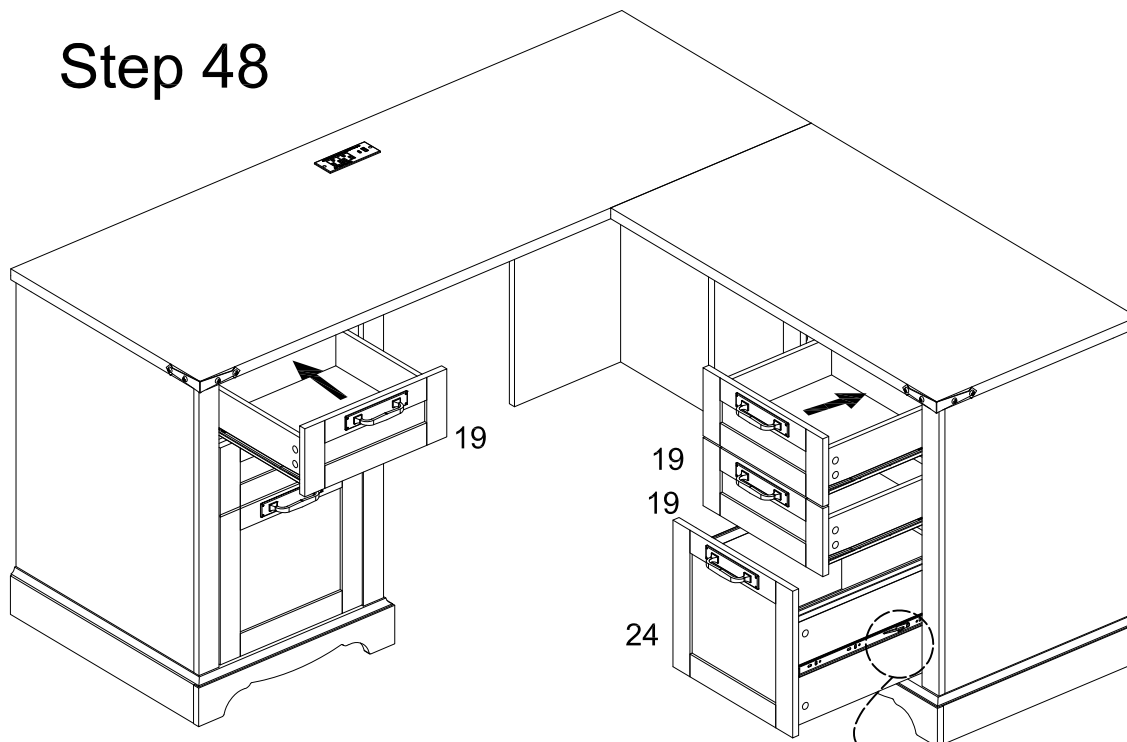


In-and-Out
by loosening the hinge-arm
mounting screw or via cam
adjustment

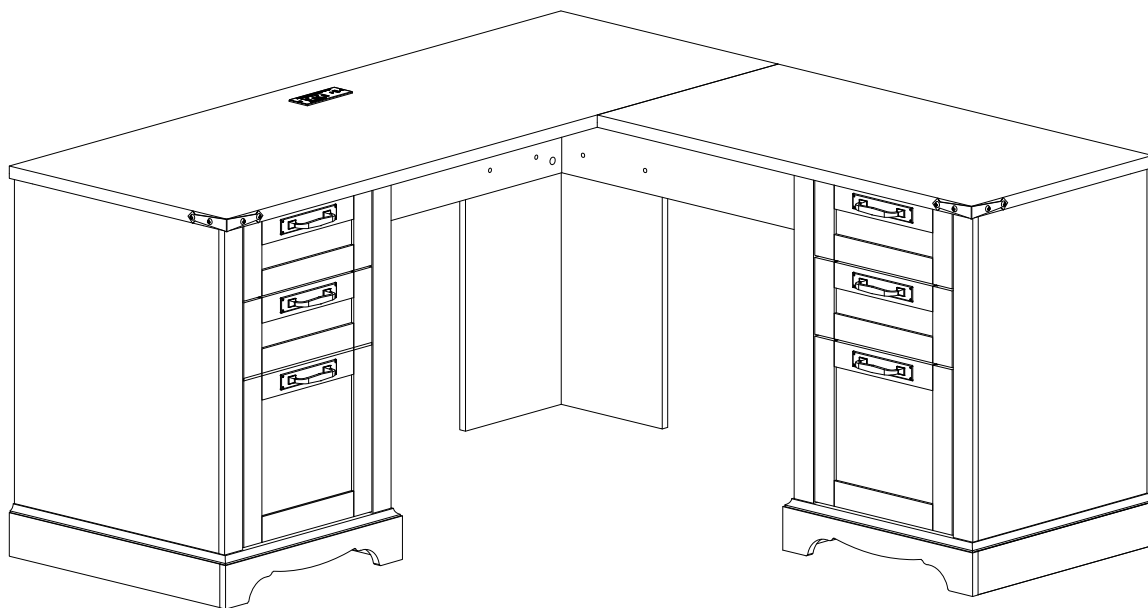


Vertical
Via slots in the mounting
plate or via cam adjustment

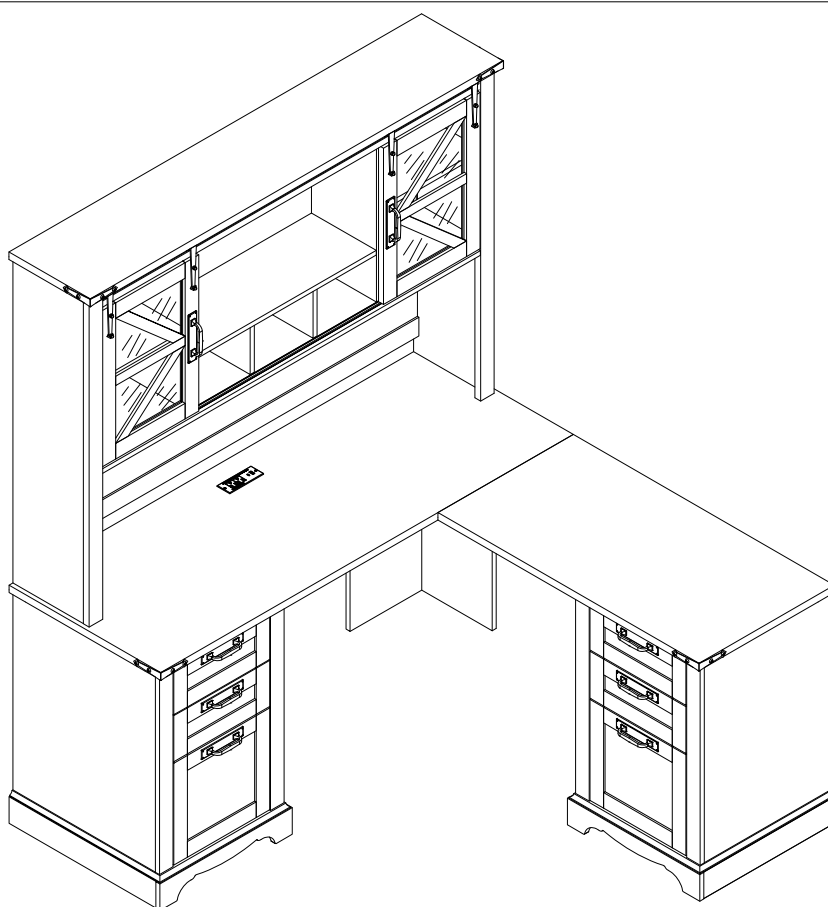
Step 48



Step 49



Final Assembly



Matching hutch is available online