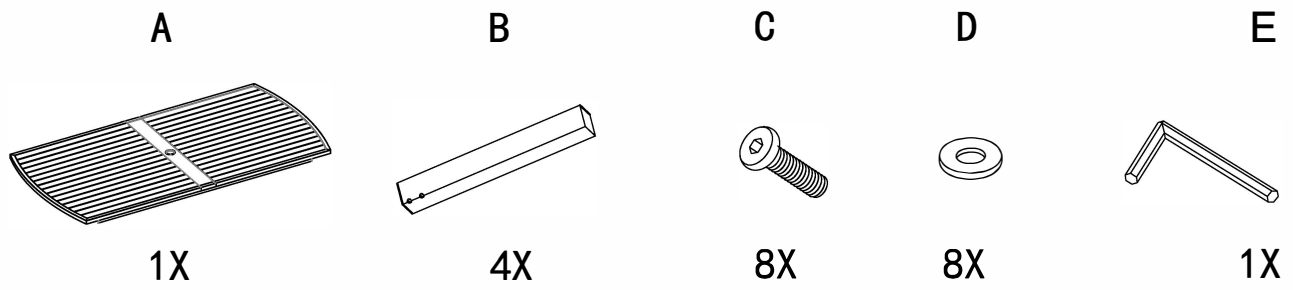
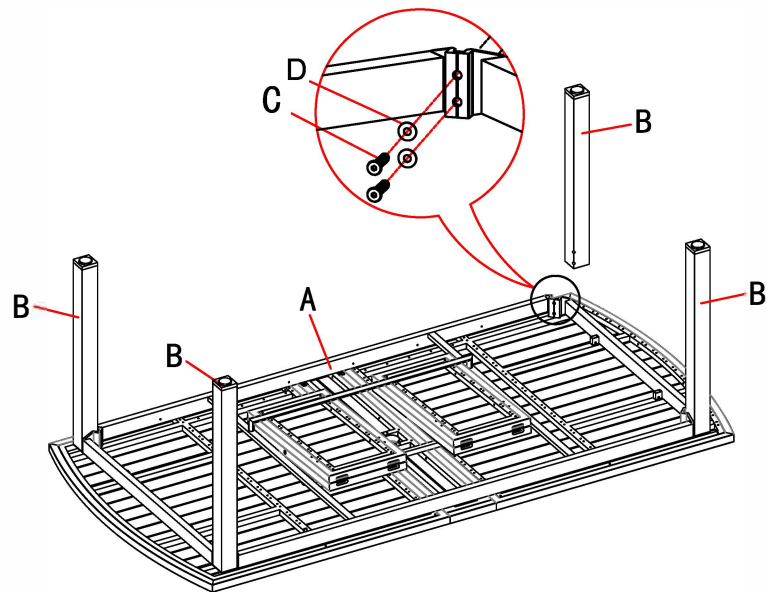


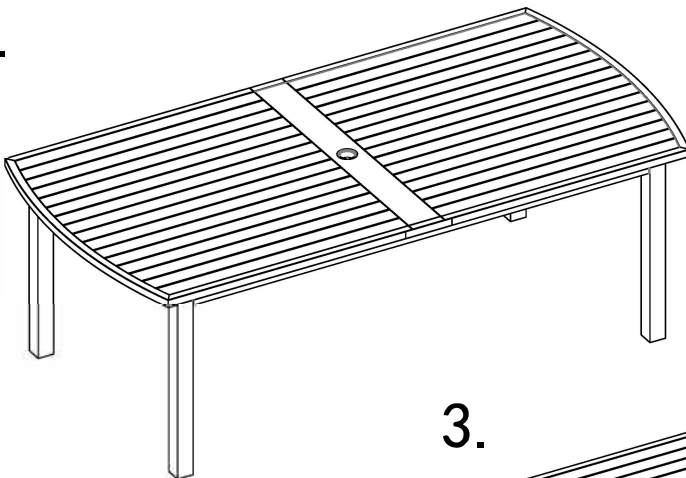
Assembly Instructions



1.



2.



3.

