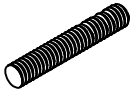


# Installation & Assembly

A\*4



B\*4



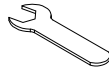
C\*4



D\*4



E\*1



F\*8



G\*4



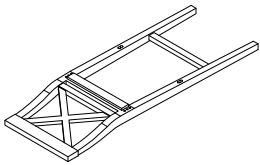
H\*16



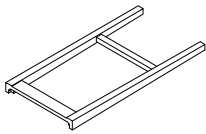
I\*4



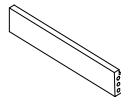
P1\*1



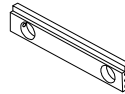
P2\*1



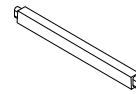
P3\*1



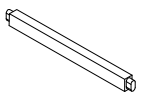
P4\*1



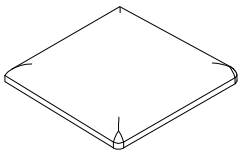
P5\*1



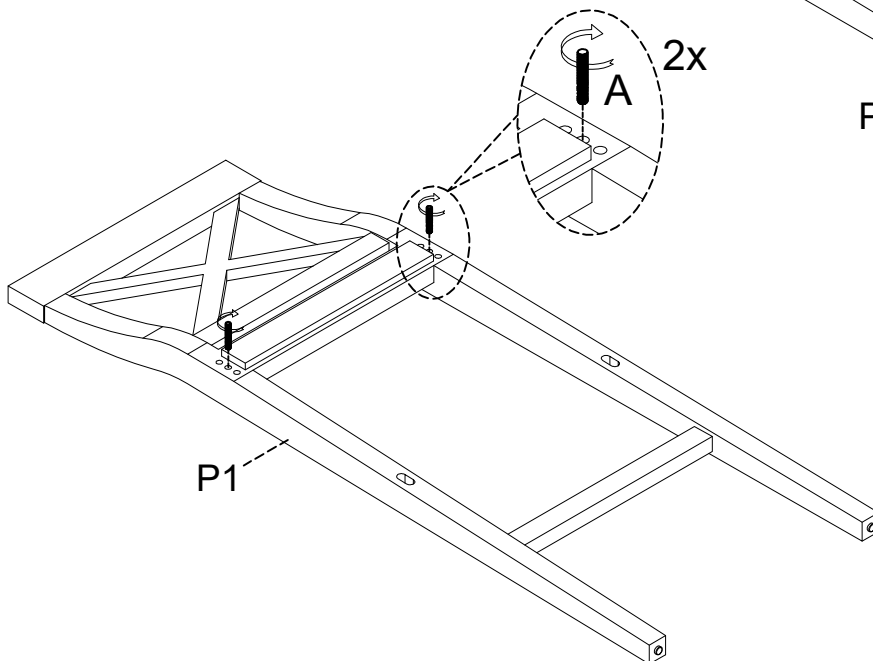
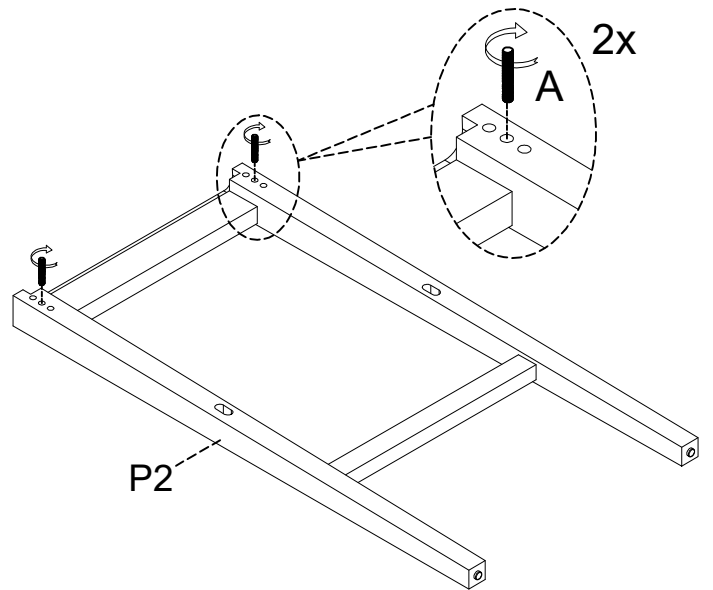
P6\*1



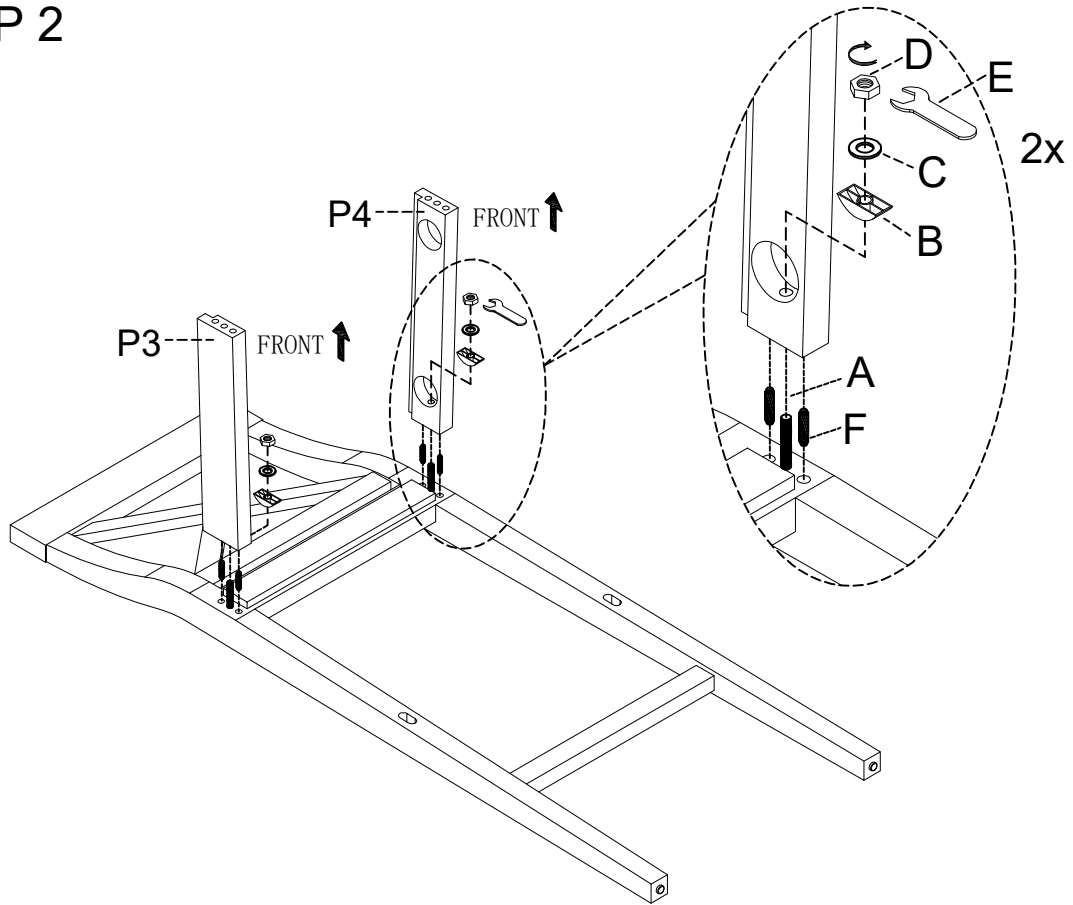
P7\*1



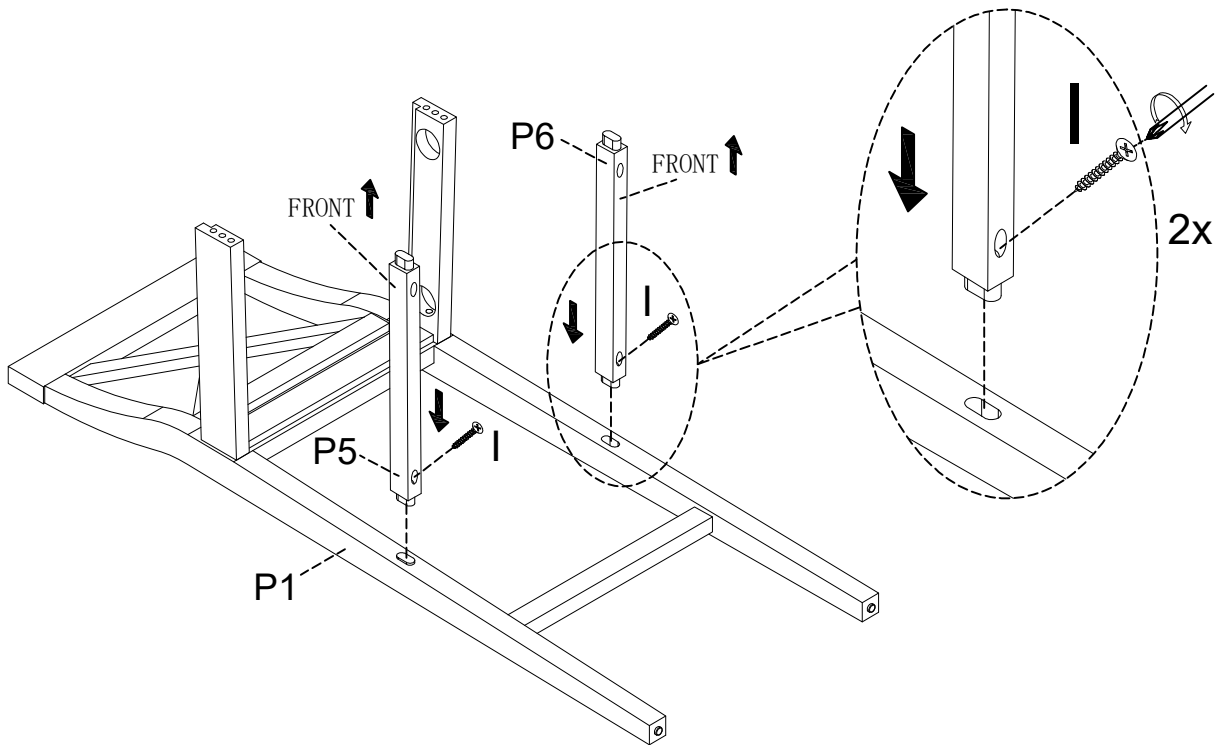
STEP 1



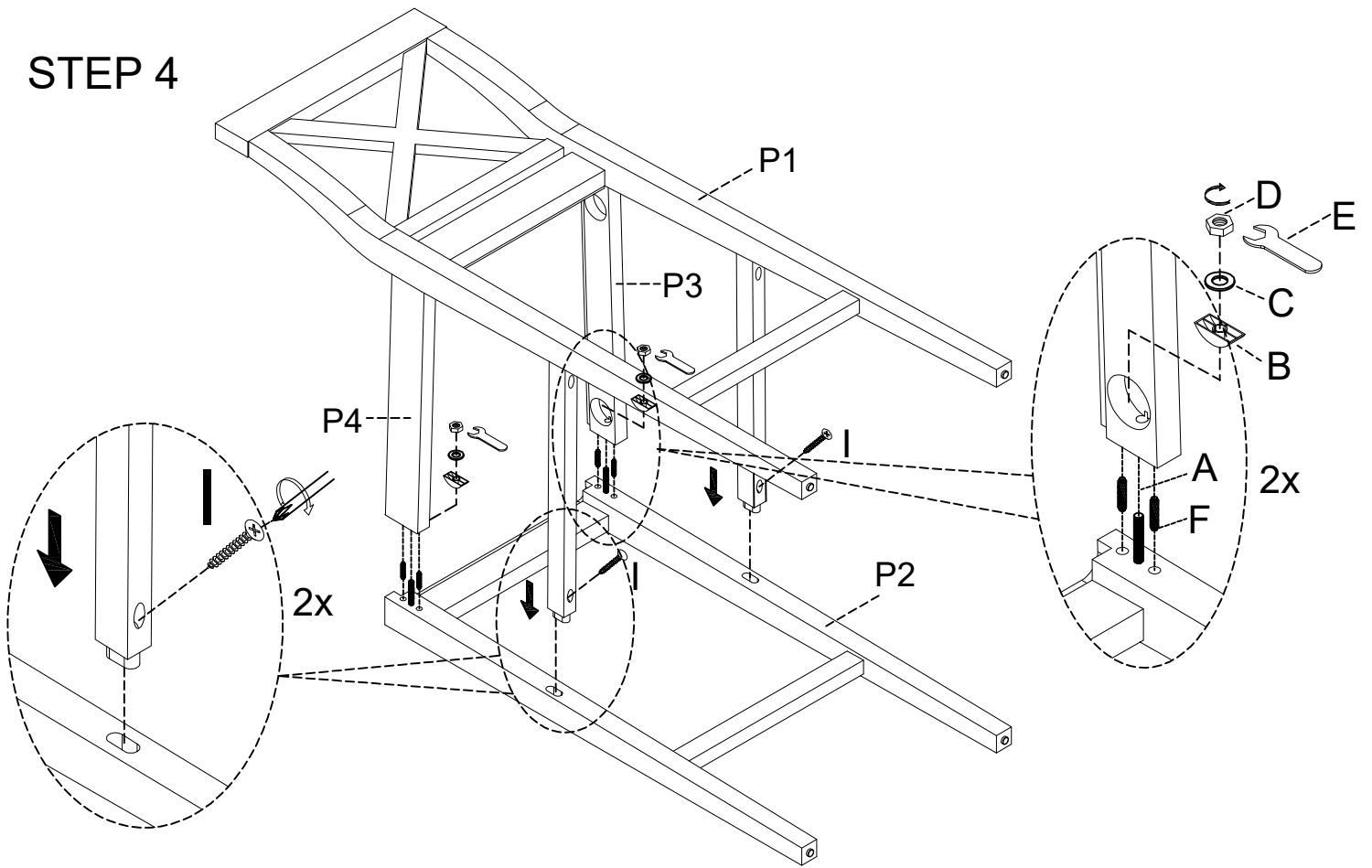
# STEP 2



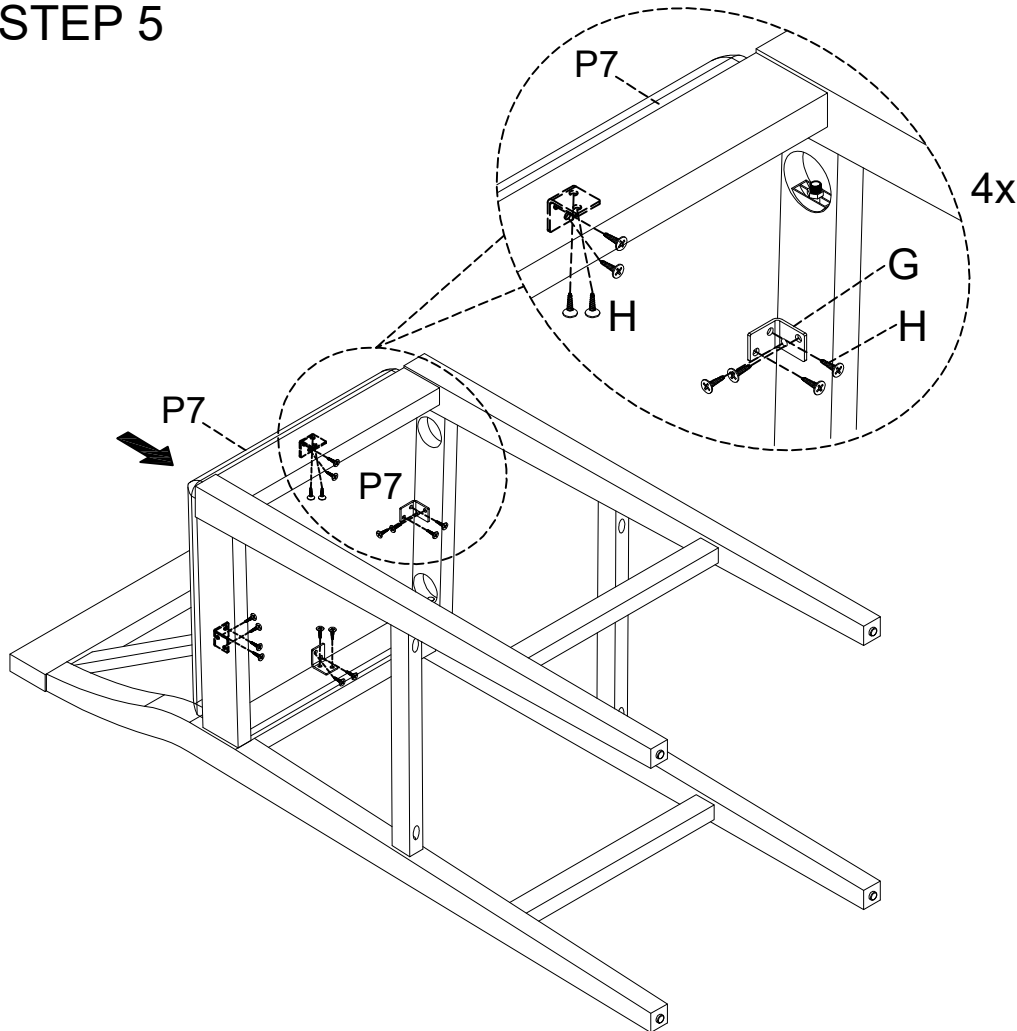
# STEP 3



# STEP 4



# STEP 5



FINISH

