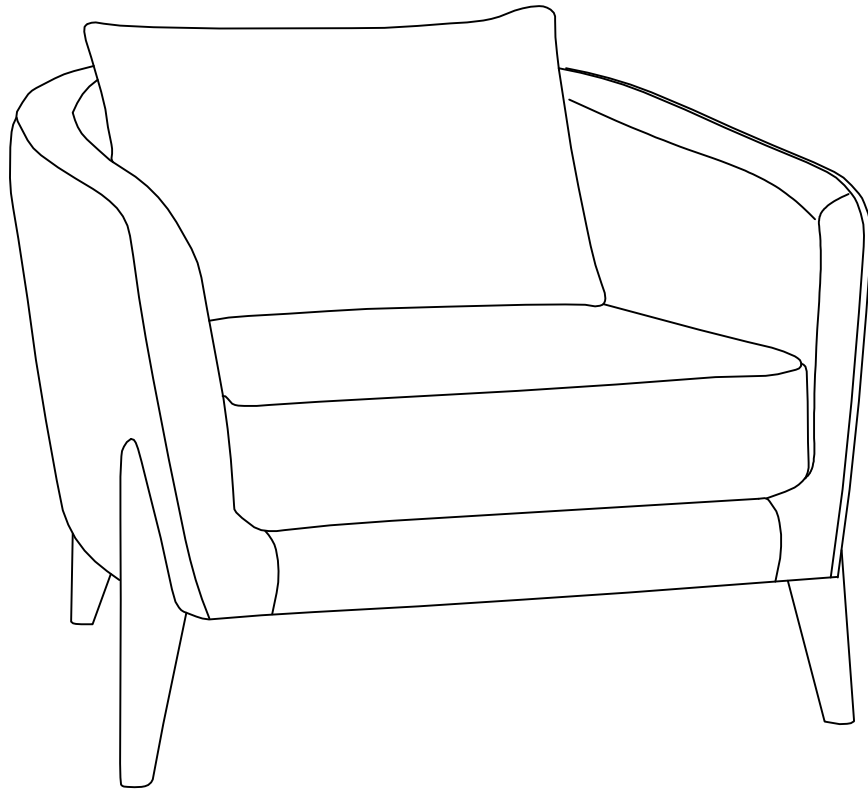
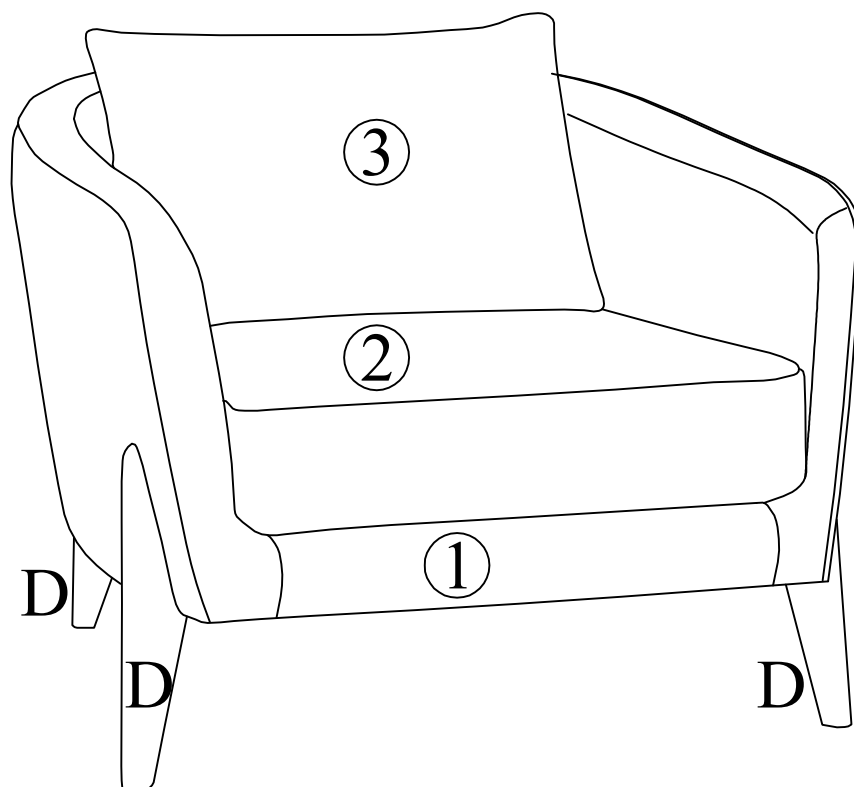


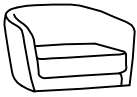






Assembly Instruction



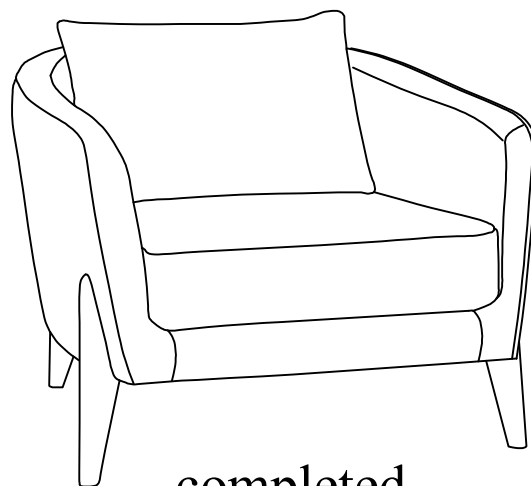
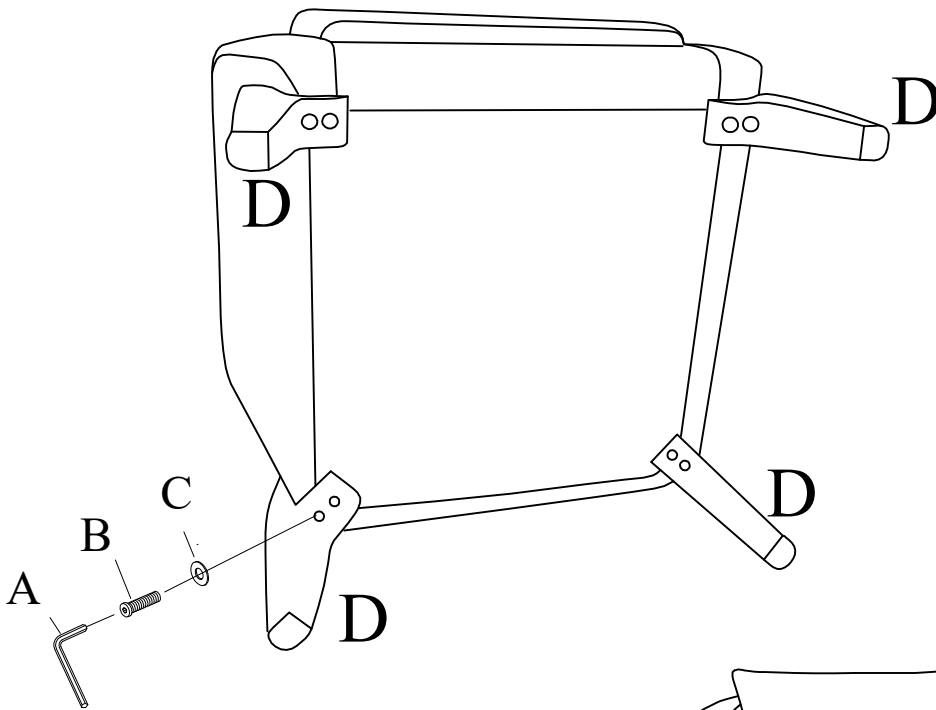
Notes: Chair might be a little hard due to being compressed in package and long-time transport, but it will soften over time in use.



Part list

 <p>① Chair seat *1</p>	 <p>② Seat cushion *1</p>	 <p>③ Back pillow*1</p>	
 <p>A Allen key*1 (4mm)</p>	 <p>B Bolt Ø5/16"-45mm *8</p>	 <p>C Washer 5/16"*8</p>	 <p>D Leg*4</p>

Please ensure all the everything are in correct position before fully tighten the screws.



completed

CARE & MAINTENANCE



Do not put hot items directly on furniture surface.



Do not clean furniture with harsh cleansers or polish.



Dust and pick up spills using a clean, non-colored, lint-free cloth.



Stains may be removed with mild soap solution and a damp cloth.



Do not place furniture under direct sunlight.



Do not place furniture near heating or cooling vents.



Do not write on furniture without a passed barrier to protect the surface.



Do not place furniture outside, for indoor use only.



PROHIBIT jumping on it.

We genuinely appreciate your purchase of our product. Any problem (installation or damage caused by shipping), please feel free to contact us. Our customer service help to solve the problem for your ASAP, as your satisfaction is our final goal.