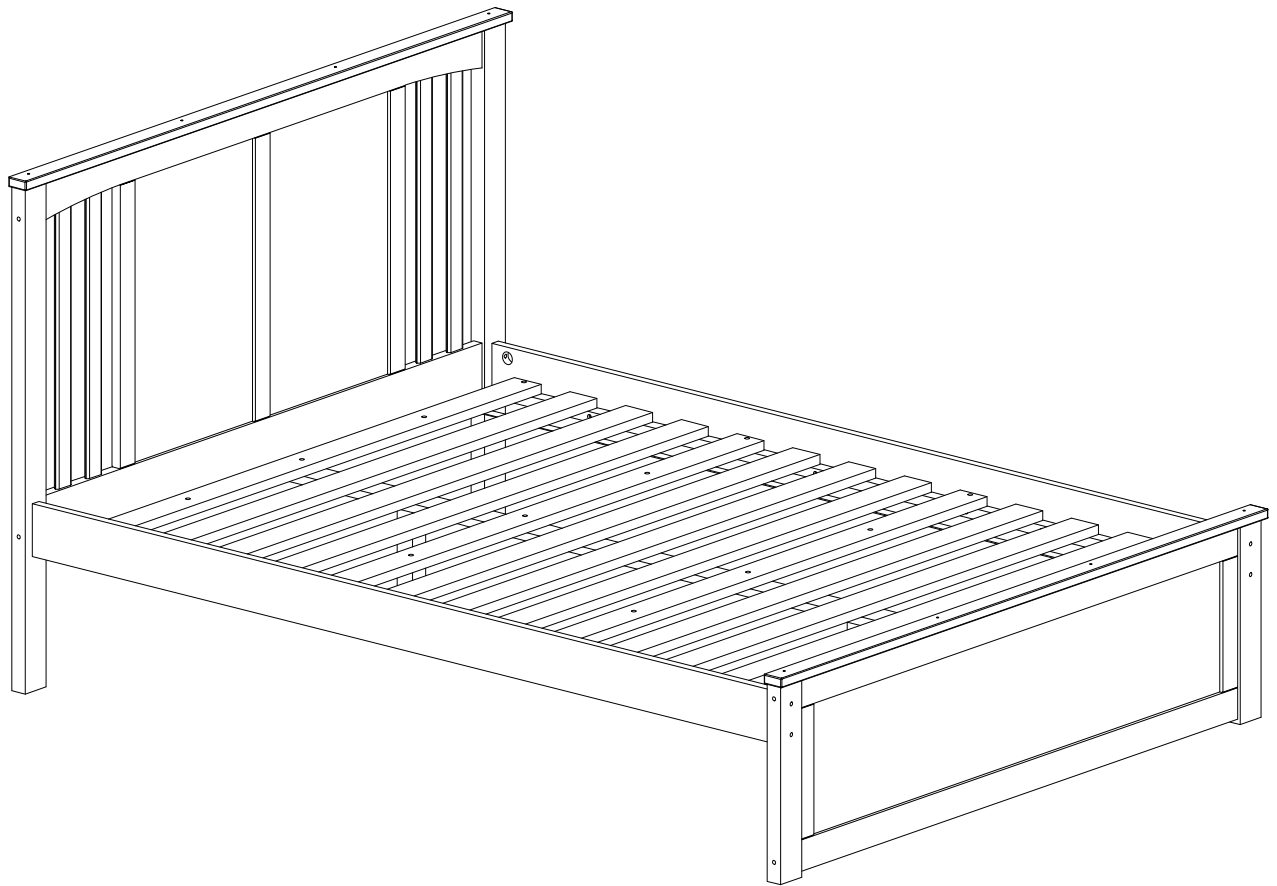
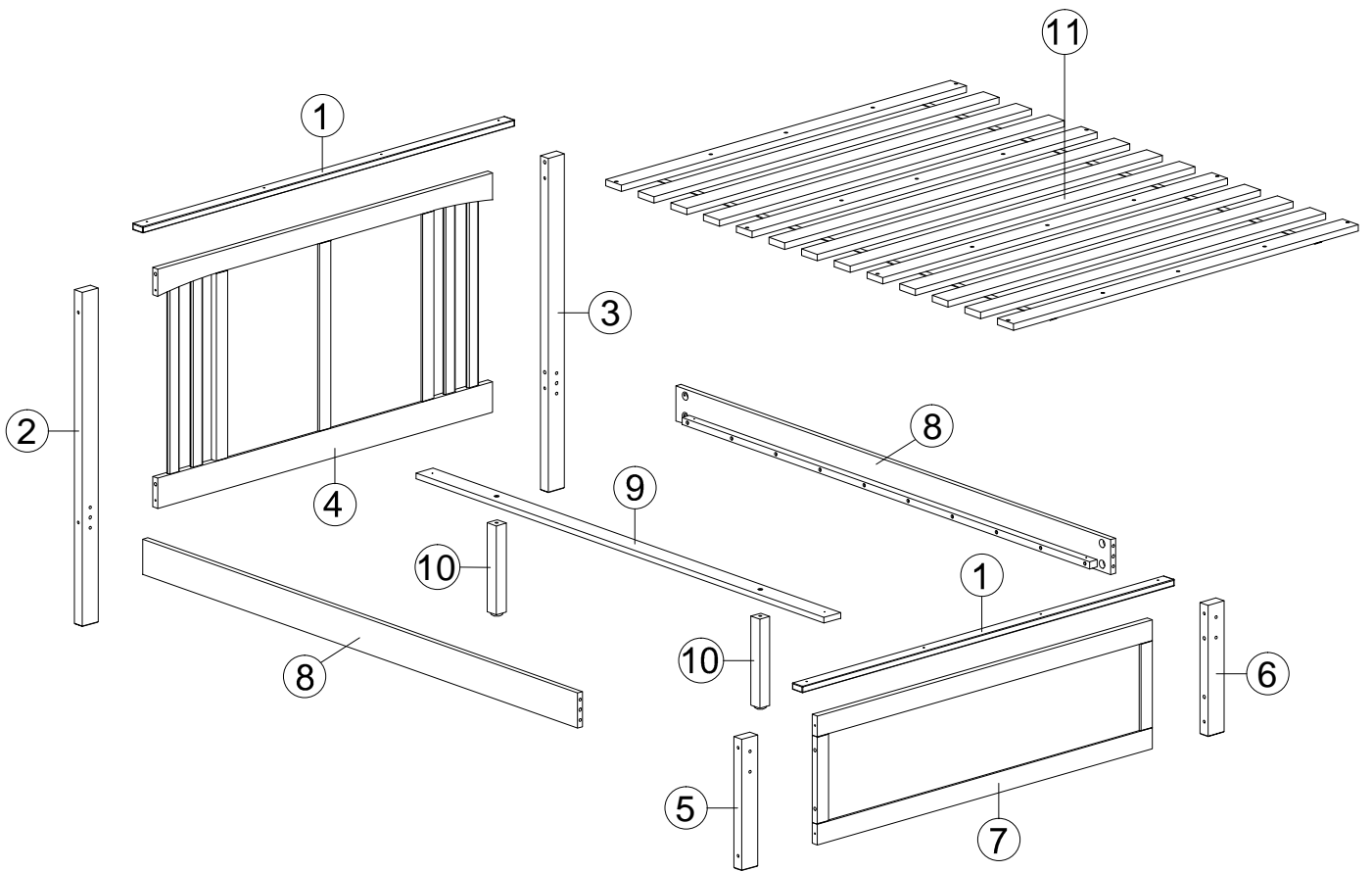
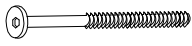
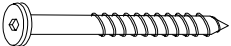
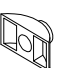

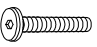
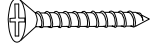




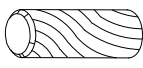
ASSEMBLY INSTRUCTIONS - FULL MISSION CAPTAINS BED

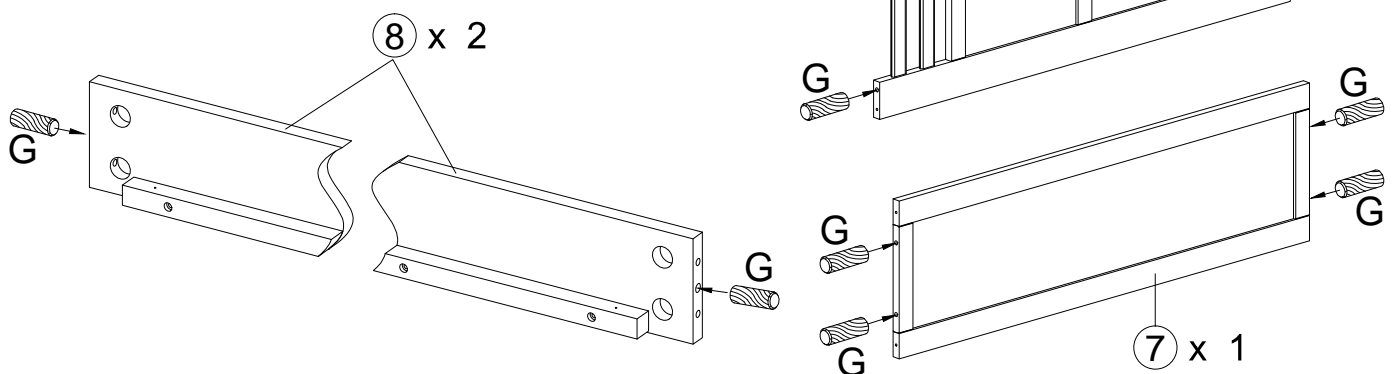




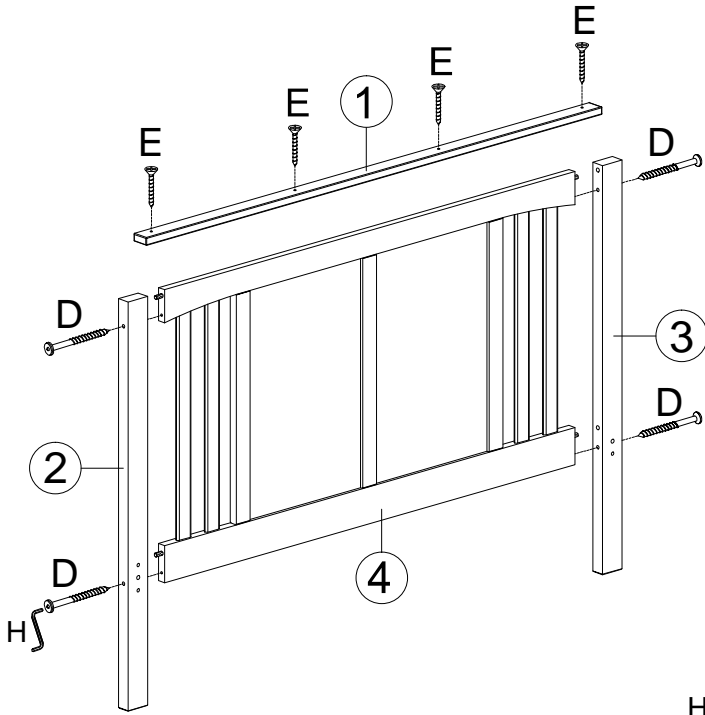
A	 Ø1/4" x 75mm QTY: 08	D	 Ø7 x 100mm QTY: 08
B	 Half Moon 1/4" QTY: 08	E	 Ø4 x 40mm QTY: 08
C	 Ø6 x 30mm QTY: 02	F	 Ø4 x 30mm QTY: 12
		G	 Ø10 x 40mm QTY: 12
		H	 Allen Key QTY: 01

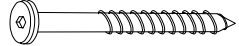
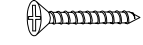
Step 01

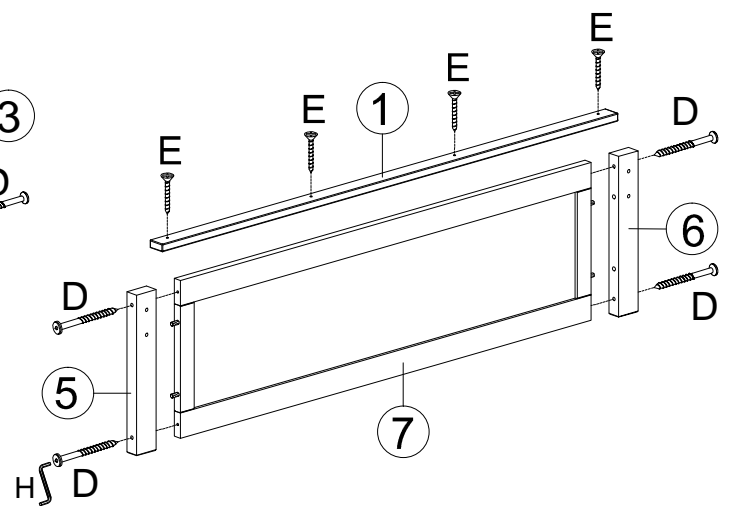
G	 Ø10 x 40mm QTY: 12
----------	---




Step 02

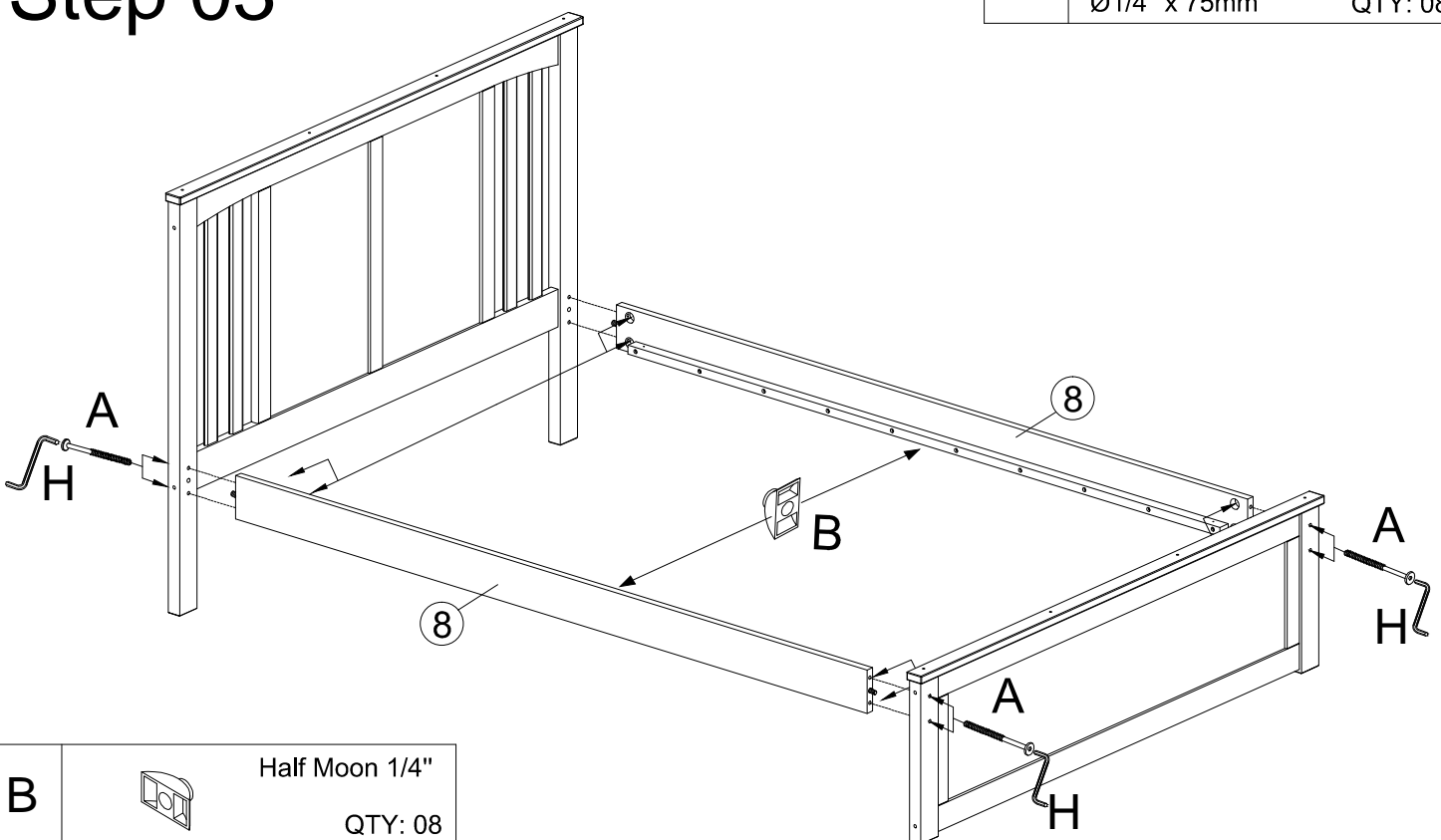


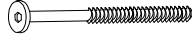
D		QTY: 08
E		QTY: 08





H		Allen Key QTY: 01
----------	---	----------------------

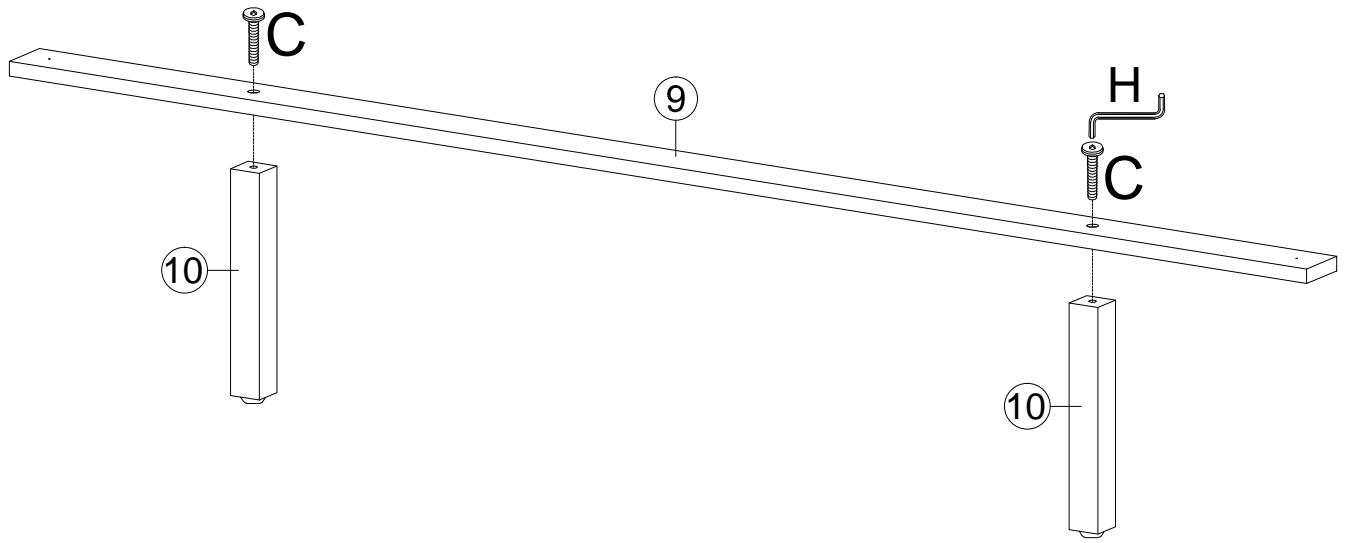
Step 03





A		QTY: 08
----------	---	---------

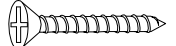
B		Half Moon 1/4" QTY: 08
H		Allen Key QTY: 01

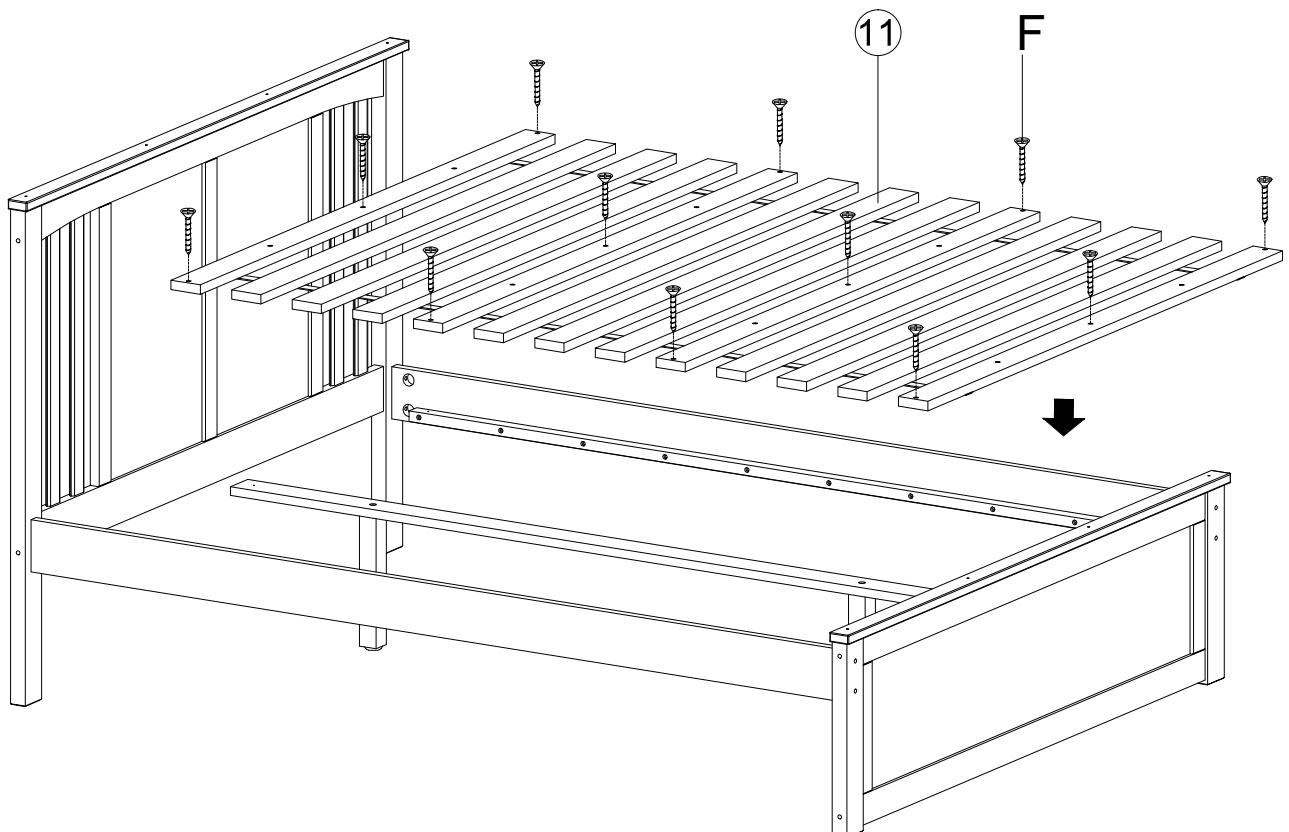
Step 04






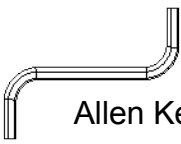

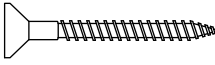
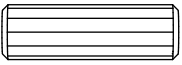
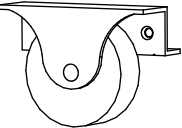



C	 Ø6 x 35mm	QTY: 02
H		QTY: 01

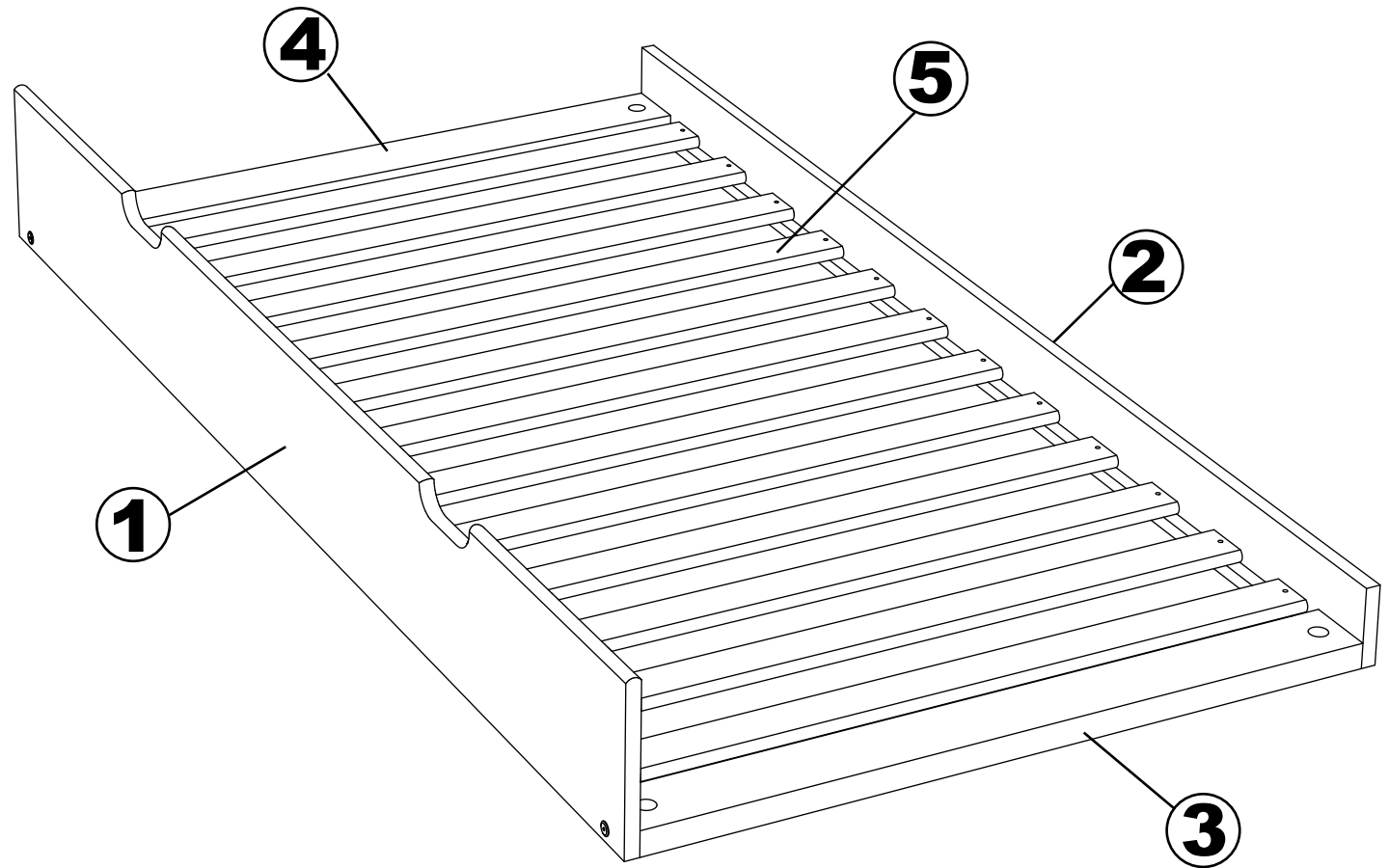
Step 05

F	 Ø4 x 30mm	QTY: 12
---	--	---------

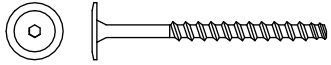

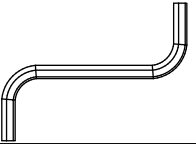
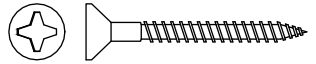
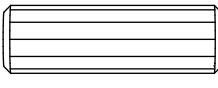
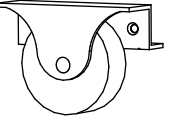


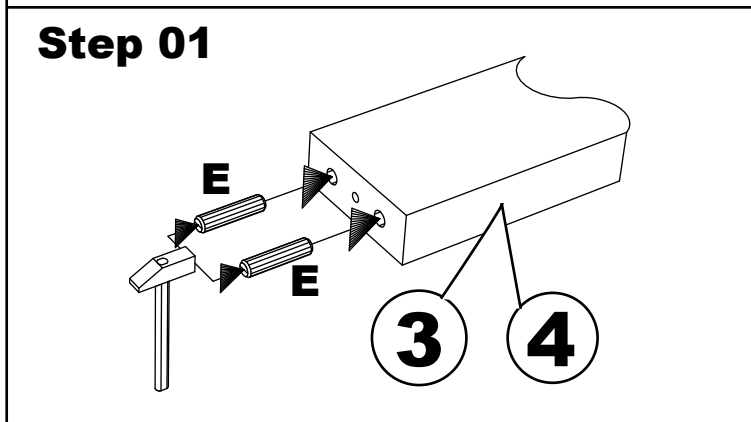
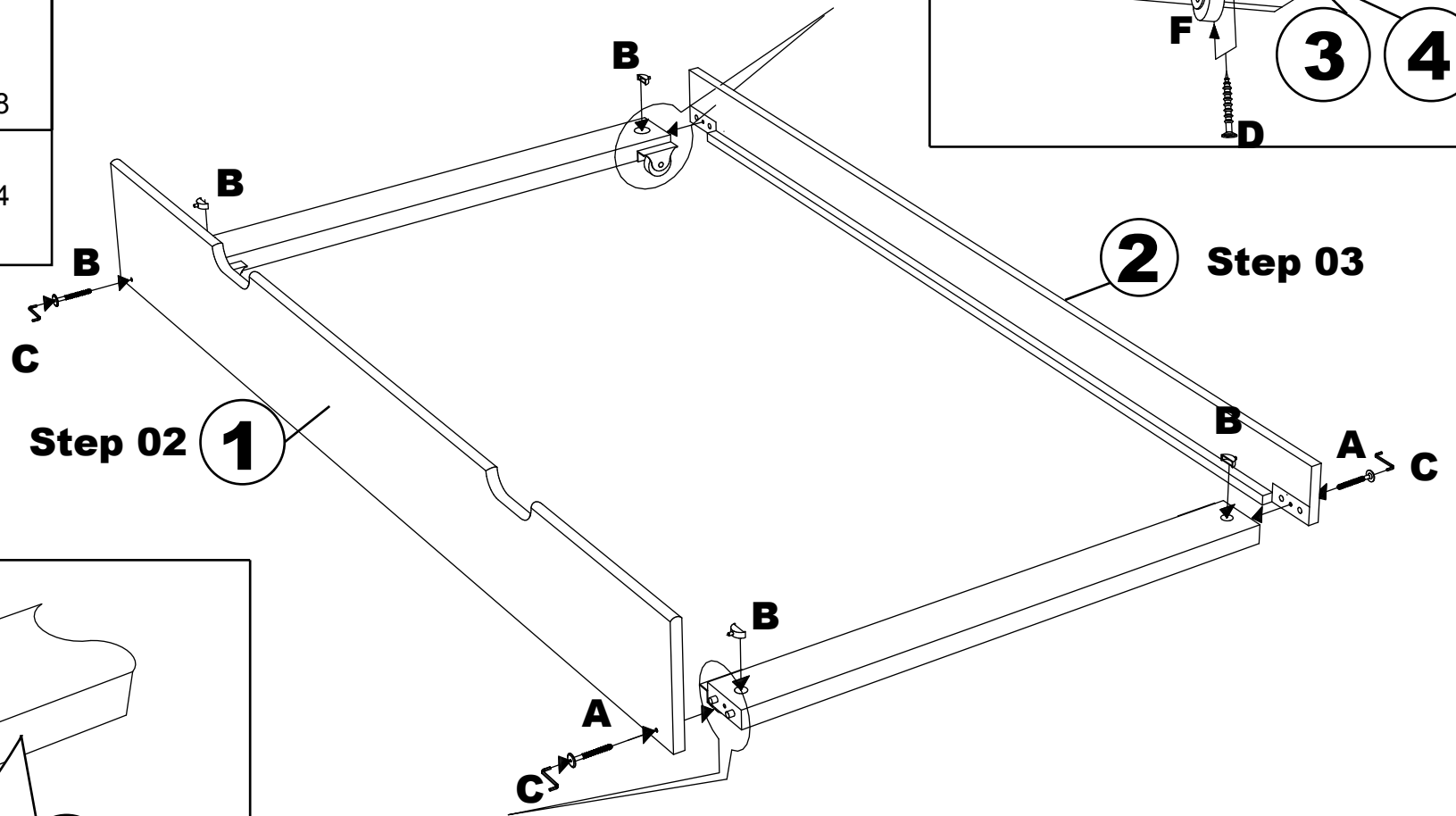
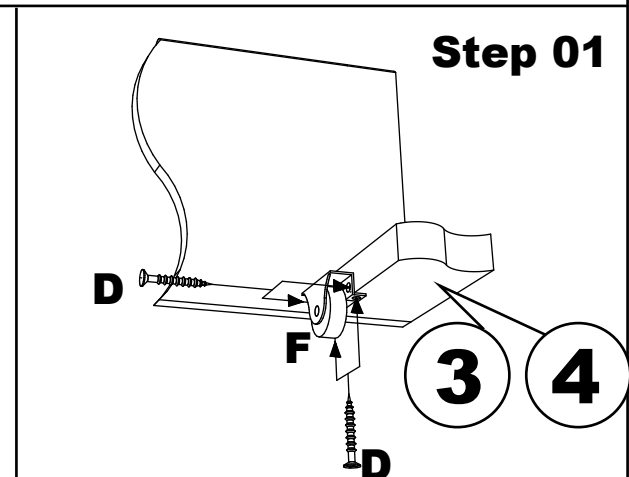
ASSEMBLY INSTRUCTIONS FOR SHAKER TRUNDLE

A	  Ø6 x 70mm Qty: 04
B	 Half Moon Qty: 04
C	 Allen Key Qty: 01
D	  Ø3 x 15mm Qty: 16
E	 Ø 10 x 40mm Qty: 08
F	 Qty: 04
G	 Spacer Qty: 02
H	  Ø4 x 30mm Qty: 24



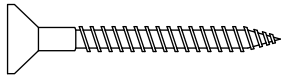
ASSEMBLY INSTRUCTIONS - SHAKER TRUNDLE

A	 Ø 6 x 70 mm Qty: 04	B	 Half Moon Qty: 04
C	 Allen Key Qty: 01	D	 Ø 3 x 15 mm Qty: 16
E	 Ø 10 x 40mm Qty: 08		
F	 Qty: 04		



ASSEMBLY INSTRUCTIONS - SHAKER TRUNDLE

H



4 x 30mm

Qty: 24

G



Spacer

Qty: 02

STEP 4

