

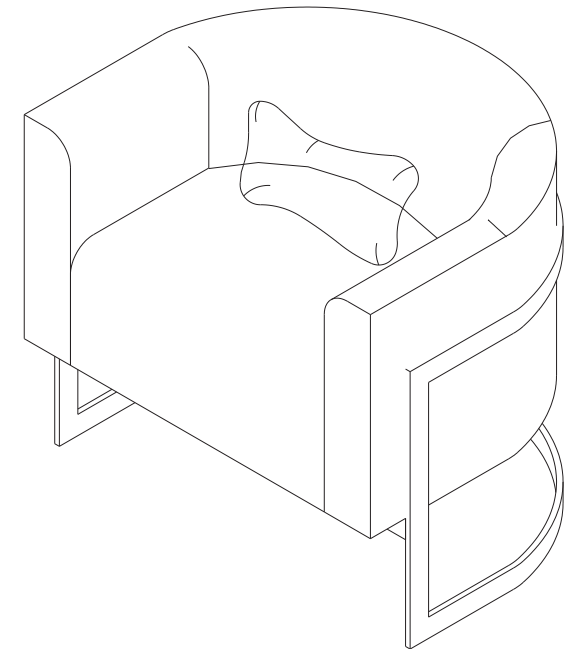
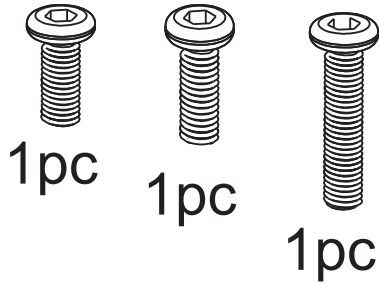
Assembly Instructions

⚠ Before you throw the carton, please ensure that you have all the parts needed for the assembly.

⚠ **Hardware Note:**
1. For each step please don't fully tighten all the screws at first, when they all align to the holes you can fully tighten them.

2. All the bolts should be assembled **vertically** to the holes.

⚠ **Spare parts** can be found in the hardware box if you do not have enough bolts for assembly.

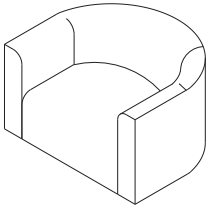


Assembly Instructions

Parts and Hardware

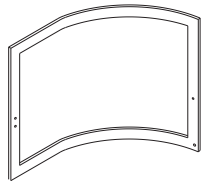
Please check to make sure you have all parts and hardware before starting assembly process.

(A)



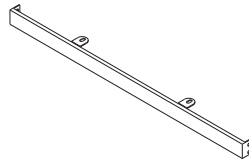
Seat
1pc

(B)



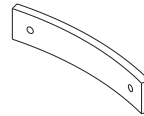
Left leg
1pc

(C)



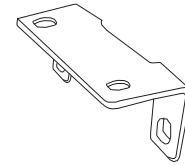
Front Metal Tube
1pc

(D)



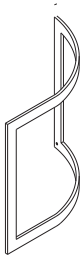
Back Metal Tube
1pc

(E)



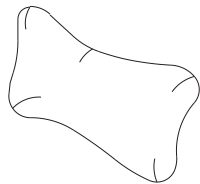
Metal connection
1pc

(F)



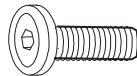
Right leg
1pc

(G)



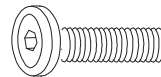
Pillow
1pc

①



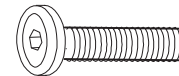
Short bolts
4pcs

②



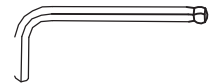
Middle length bolts
4pcs

③



Long bolts
4pcs

④

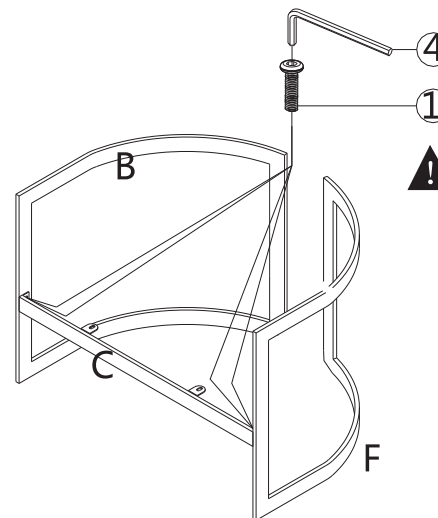
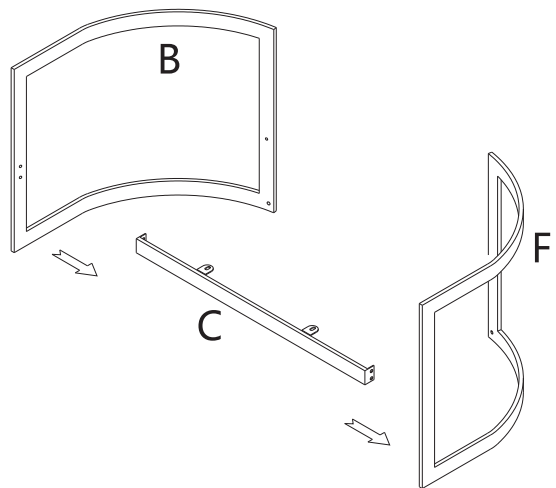


Wrench
1pc

Assembly Instructions

Assembly Instructions

Step 1: Connect 2 legs B & F together by C using bolts ①.

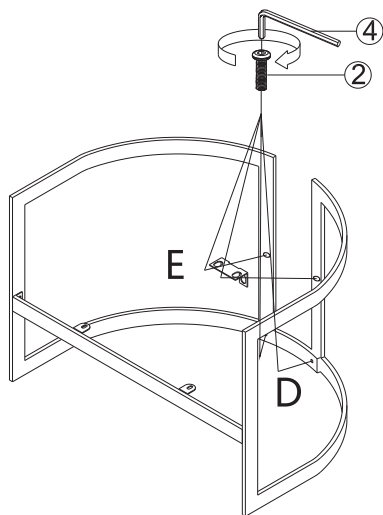


⚠ Please double check the length of the bolts only the shortest bolts can be used for this step. Otherwise the legs will be broken.



shortest bolts
4pcs

Step 2: Connect 2 legs B & F together by D & E using bolts ②.

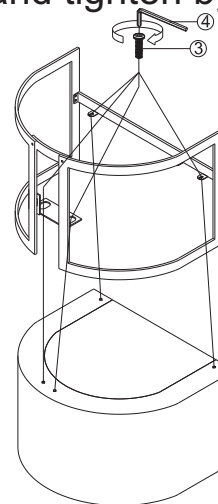


⚠ Please double check the length of the bolts only the middle length bolts can be used in this step. Otherwise the legs will be broken.



middle length bolts
4pcs

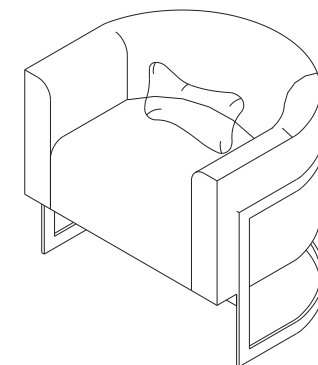
Step 3: Connect assembled legs to the bottom of seat and tighten by bolts ③.



⚠ Please double check the length of the bolts only the longest bolts can be used in this step.



middle length bolts
4pcs



▲ **Hardware Note:**
Please do not completely tighten all the hardware, until the entire assembly is complete.