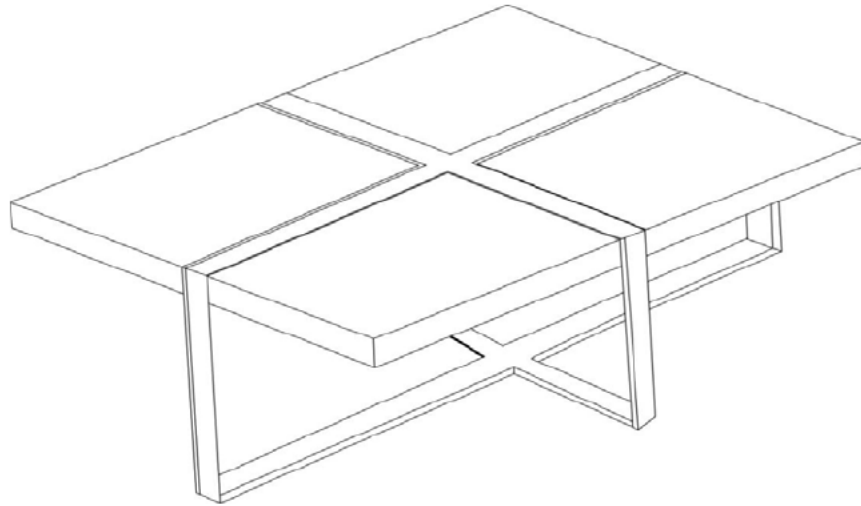


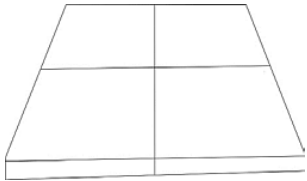
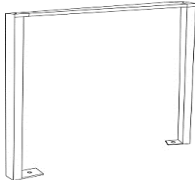
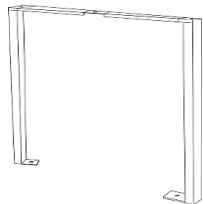
Assembly Instructions

Caution : You must read this before you proceed





COFFEE TABLE



Parts List

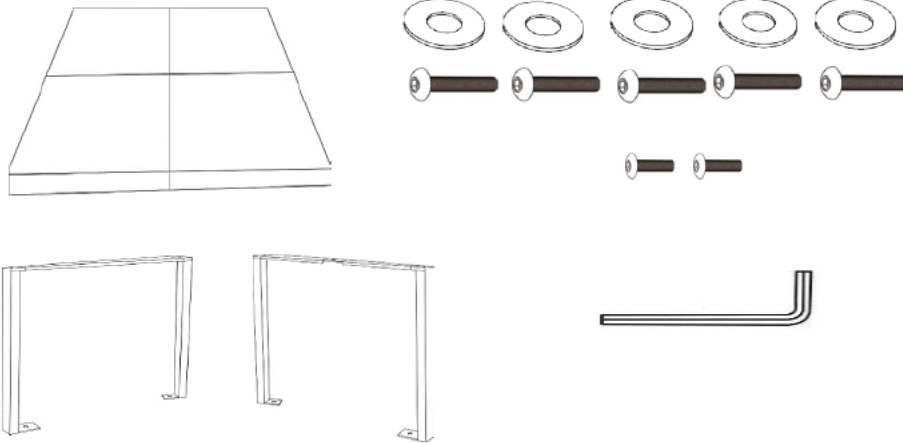
Label	Picture	Description	QTY
A		Wooden Top	1
B		Leg	1
C		Leg	1

Hardware

Label	Picture	Description	QTY
①		Washers (25 mm)	5
②		Bolts (8.0X20.0 mm)	5
③		Small Bolts (6.0X20.0 mm)	2
④		Allen Wrench	1

Assembly Preparation

Before Beginning Assembly:



- Read instructions, cover to cover-



- Have 2 adults on hand for assembly-



- Do not assemble on flooring or carpet-



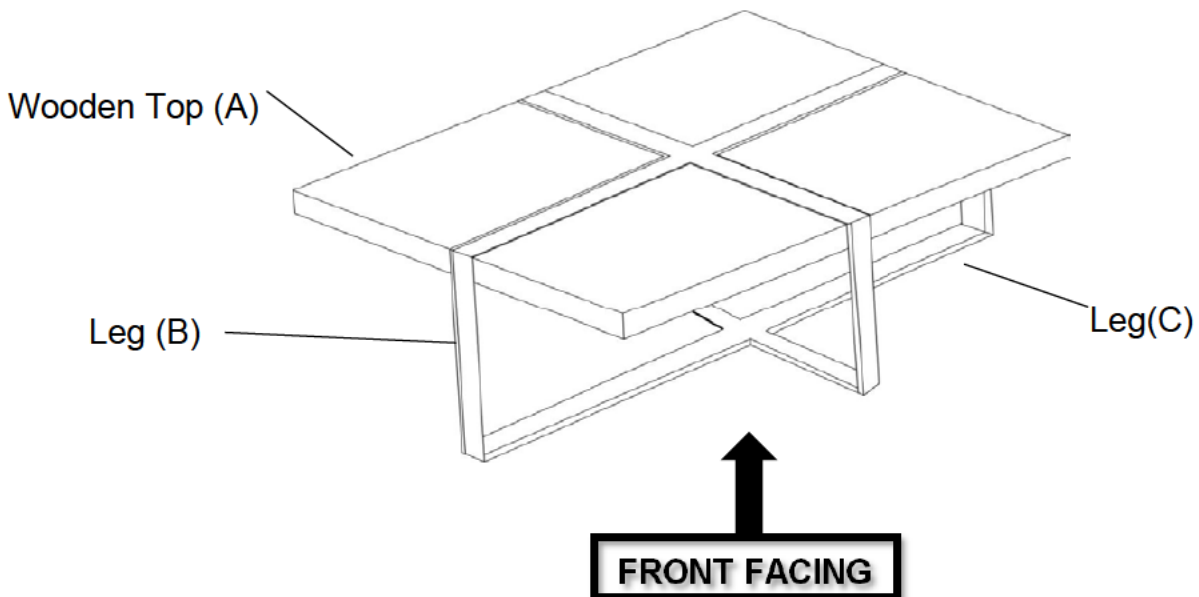
- Assemble on a clean non-marring surface (packing foam)-



- Save all packaging until finished-

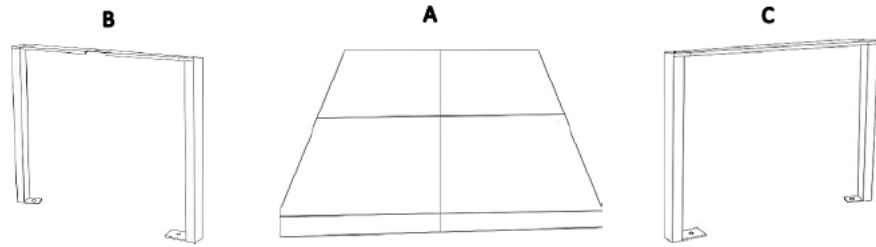
Assembly Steps

Overview



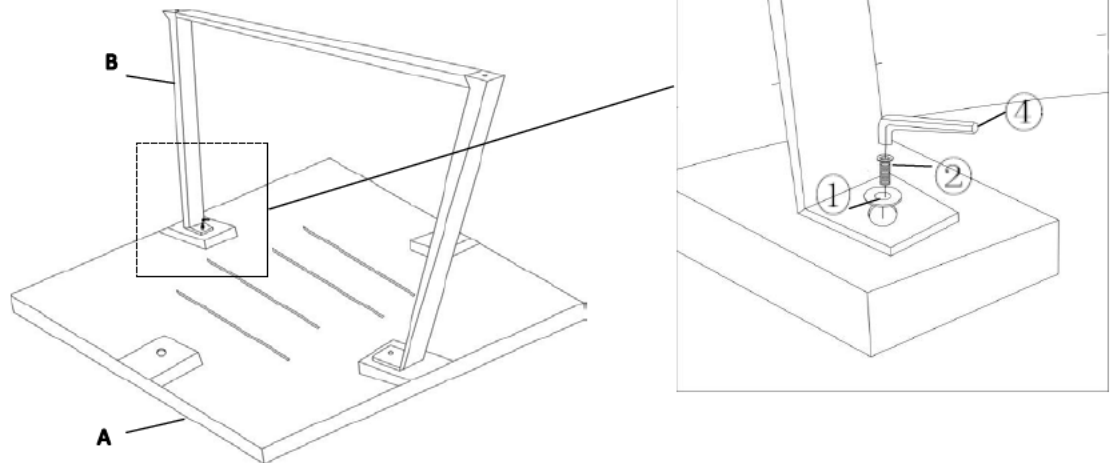
This Coffee Table has multiple parts and may require up to 30 minutes to assemble. To give you an overview of the Coffee Table parts, the above picture is to help you put the various parts into perspective. Please read through the instructions herebelow to familiarise the parts and steps before assembly.

Step 1



Unpack all the parts and place on a clean, non-marring surface .

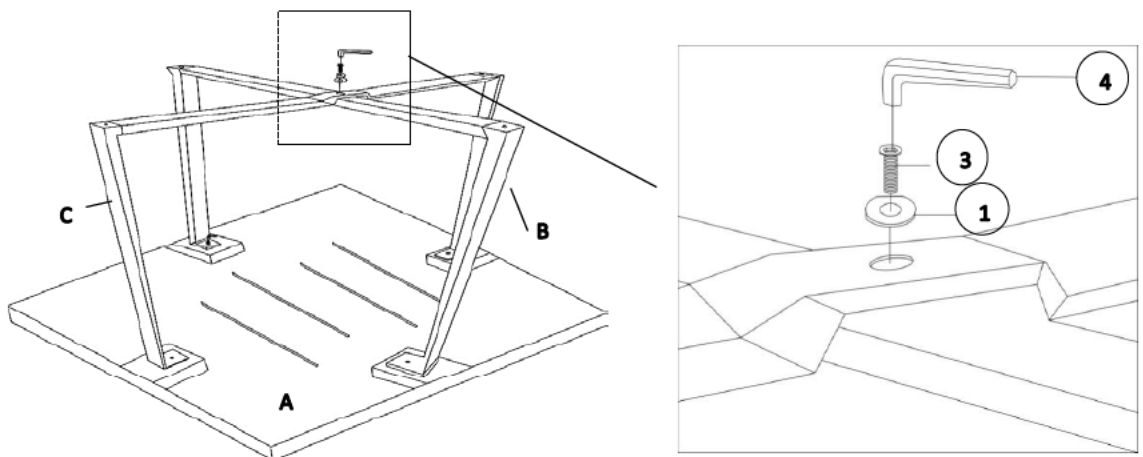
Step 2



With assistance from your adult partner, place the Wooden Top (A) upside down, on a clean non-marring surface as shown in "Step 2" picture. Attach Leg (B) to Wooden top (A) using Washer (1) Bolts (2) with help of the Allen Wrench (4). Partially Tighten the Bolt in a sequential manner. Repeat the same process to assemble Leg (C).

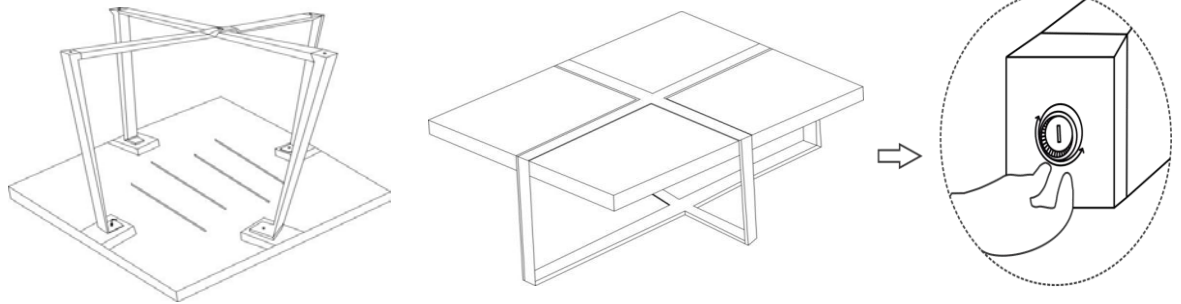
DO NOT THIGHTEN THE BOLT FULLY.

Step 3



Join Leg (B) and (C) in the center using Washer (1), Small Bolts (3) with the help of Allen Wrench (4).

Step 4



Flip the Coffee Table right side up. In case if the floor is uneven, adjust levellers on the underside of the legs up or down to compensate.

Place the Coffee Table on a LEVEL SURFACE.

Inspect it and make sure all parts are adequately connected. This would help to align all the parts at all the joint areas. In a sequential manner, proceed to tighten all Bolts.

To tighten the Bolts at the base of the Legs, do secure assistance from your adult partner(s). You may be required to turn the Coffee Table, to gain easy access to the secure points.

Turn the coffee Table in a synchronised manner.

CAUTION 1: When tightening these Bolts, tighten sequentially.

DO NOT tighten any bolt fully and then towards the next one. This would cause the frame to warp.

If there is still wobble, loosen the Bolts and execute this same process.

WARNING!! IF COFFEE TABLE IS NOT STABLE , IT COULD LEAD TO DAMAGING THE PRODUCT.

Ensure all bolts are fully locked into position.

The Coffee Table is ready to be used.

CAUTION 2: This Coffee Table can only be used on a flat, level surface.

Care & Maintenance



- Furniture may scratch floors. We recommended using furniture pads to protect your floors.



- Do not put hot items directly on furniture surface.



- Do not clean furniture with harsh cleansers or polish.



- Do not place furniture under direct sunlight.



- Do not place furniture near heating or cooling vents.



- Do not write on furniture without a padded barrier to protect the surface.



- Do not place furniture outside . For indoor use only.



- Not for commercial use. For residential use only.



- Stains may be removed with mild soap solution and damp cloth.



- Children should not climb or jump on the furniture.



- Dust and pick-up spills using a clean, non-colored, lint-free cloth.